



US00D707532S

(12) **United States Design Patent**
Stangl et al.

(10) **Patent No.:** **US D707,532 S**
(45) **Date of Patent:** **** Jun. 24, 2014**

(54) **GROMMET**

(75) Inventors: **Paul F. Stangl**, West Bend, WI (US);
Marc Beroukas, Milwaukee, WI (US)

(73) Assignee: **Raffel Systems, LLC**, Germantown, WI (US)

(**) Term: **14 Years**

(21) Appl. No.: **29/406,598**

(22) Filed: **Nov. 16, 2011**

(51) **LOC (10) Cl.** **08-05**

(52) **U.S. Cl.**
USPC **D8/356**

(58) **Field of Classification Search**
USPC D8/323, 344, 354, 398, 349, 382, 394,
D8/387, 356, 399, 397, 70; 16/2.1,
16/260-263, 254, 379-381, 356, 386, 229,
16/2.2; 403/154, 224, 161, 114, 115, 145,
403/146; 411/435, 437, 510, 427, 337, 429,
411/356, 354, 432, 918, 179, 180;
174/153 G; D23/262; 285/321;
81/177.7, 177.75, 177.85; 29/525.2,
29/592

See application file for complete search history.

(56) **References Cited**

U.S. PATENT DOCUMENTS

4,292,180 A * 9/1981 Zylka et al. 210/496
D276,299 S * 11/1984 Reardon D23/245

5,230,131 A * 7/1993 Hobson, Jr. 29/402.06
D364,449 S * 11/1995 Ellenberger D23/262
6,308,590 B1 * 10/2001 Berto 74/551.8
6,309,552 B1 * 10/2001 Hobson, Jr. 210/791
D475,271 S * 6/2003 Hannon et al. D8/323
D524,911 S * 7/2006 Thompson et al. D23/233
D546,920 S * 7/2007 Fulkerson D23/233
7,311,018 B1 * 12/2007 Liou 81/60
D579,761 S * 11/2008 Tooman D8/356
D603,018 S * 10/2009 Stein D23/235
D617,421 S * 6/2010 Fulkerson D23/233
8,002,781 B1 * 8/2011 Dermody, IV 606/151
2004/0021318 A1 * 2/2004 Fritze et al. 285/340
2010/0080667 A1 * 4/2010 Reed 411/373

* cited by examiner

Primary Examiner — Cynthia Underwood

(74) *Attorney, Agent, or Firm* — Tyler J. Sisk; Casimir Jones, S.C.

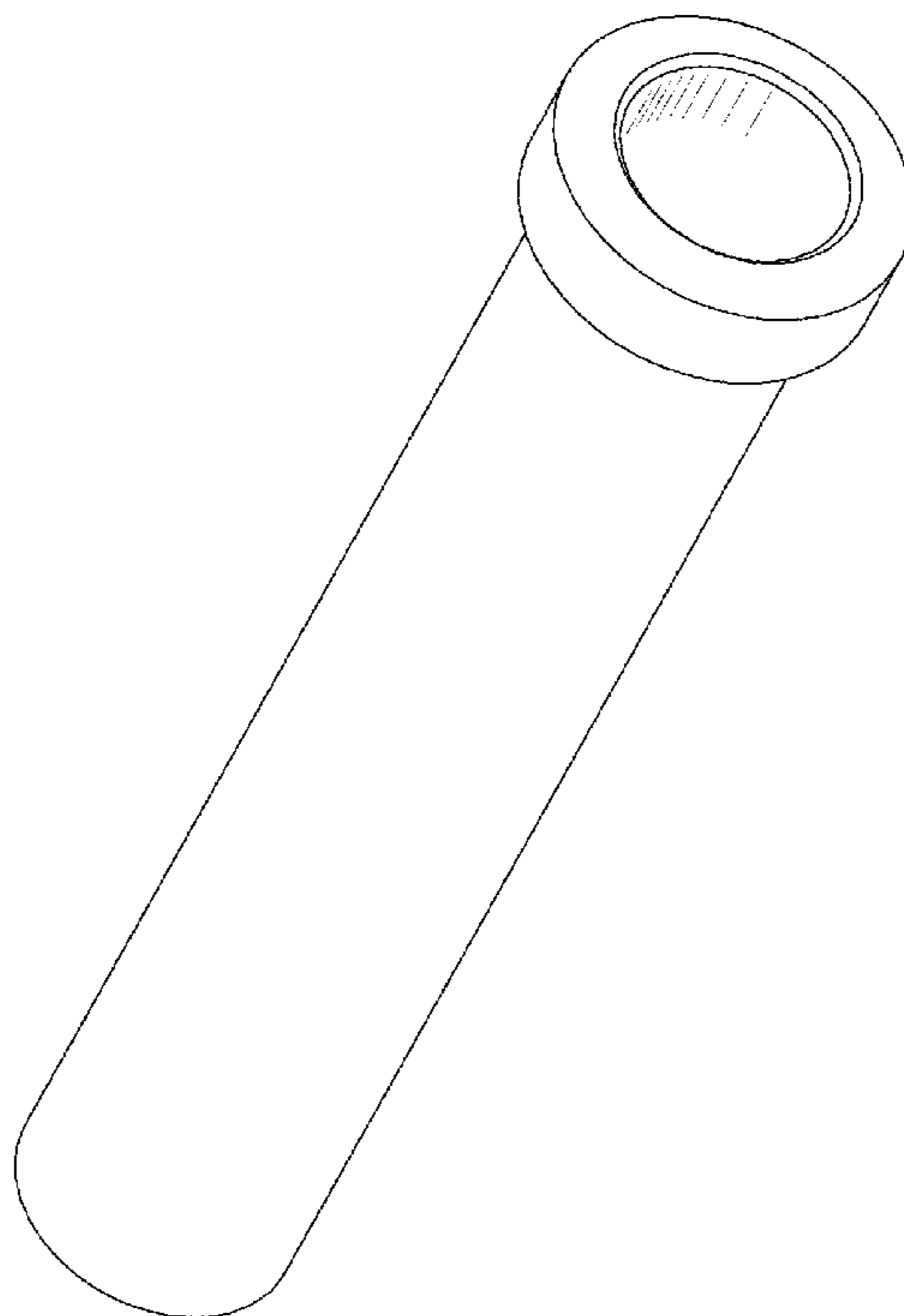
(57) **CLAIM**

The ornamental design for a grommet, as shown and described.

DESCRIPTION

FIG. 1 is a top perspective view showing the new design; FIG. 2 is a front elevational view thereof, the front, rear, left side, and right side elevational views being identical; FIG. 3 is a top plan view thereof; and, FIG. 4 is a bottom plan view thereof. The broken lines shown in FIGS. 3 and 4 are for the purpose of illustrating environment, and form no part of the claimed design.

1 Claim, 3 Drawing Sheets



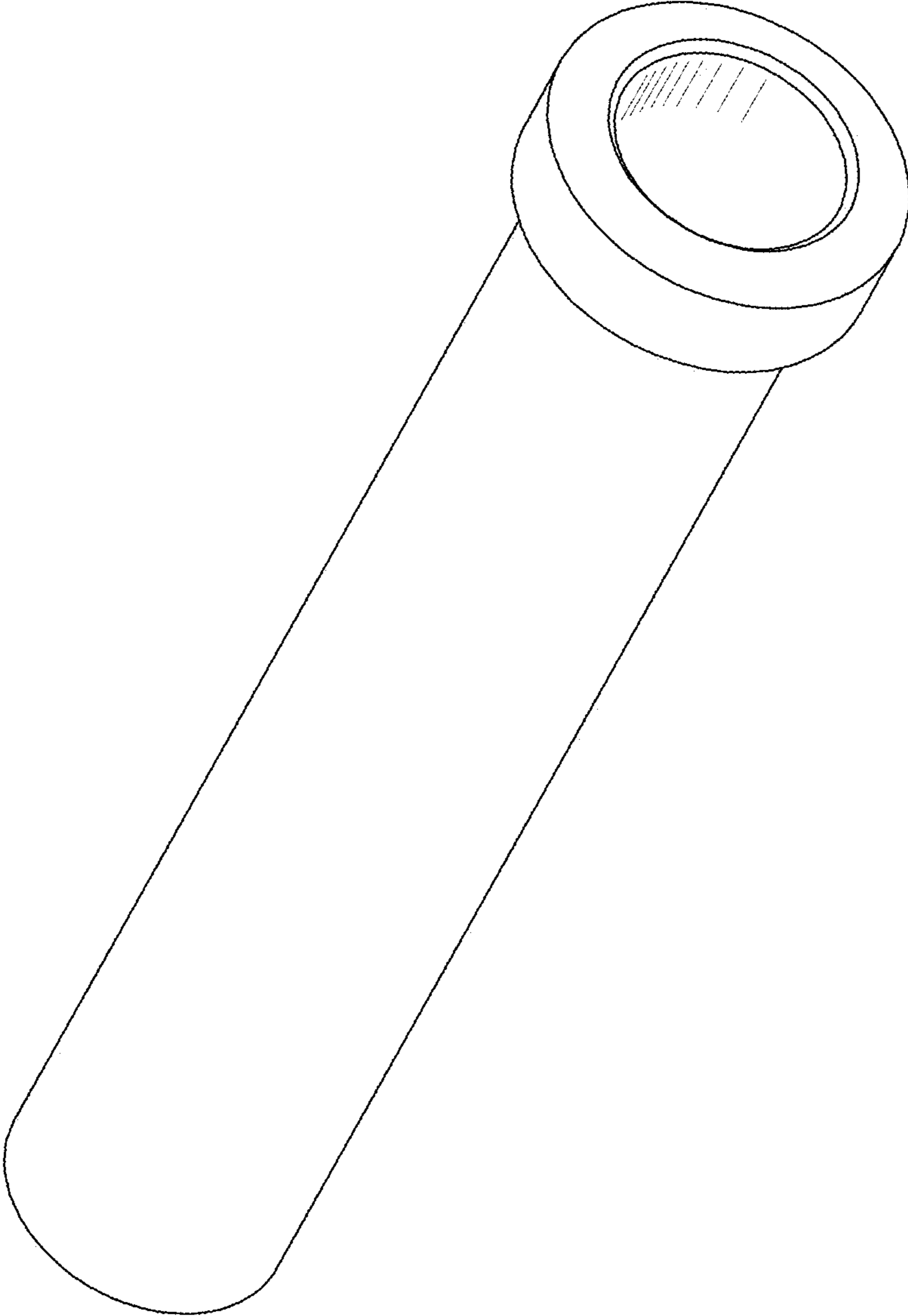


FIG. 1

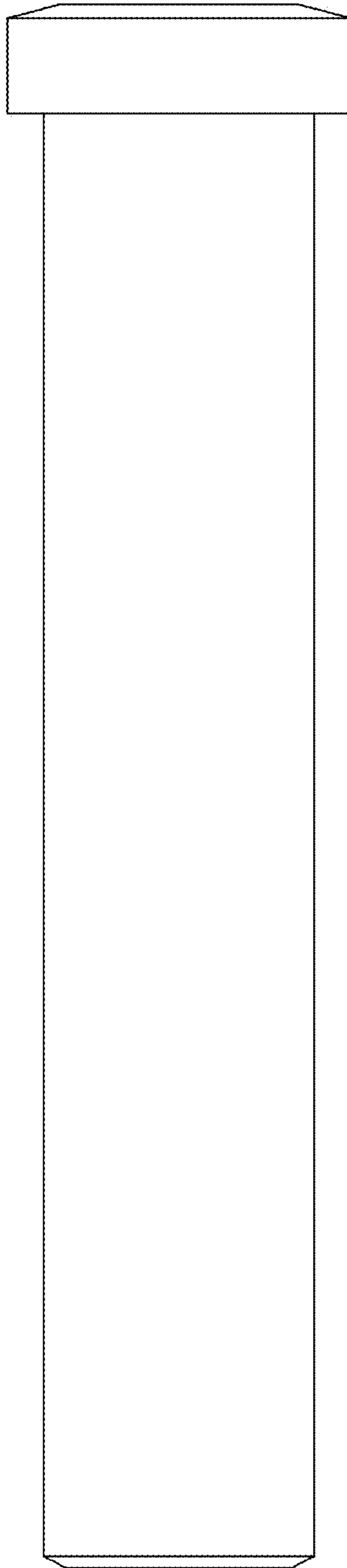


FIG. 2

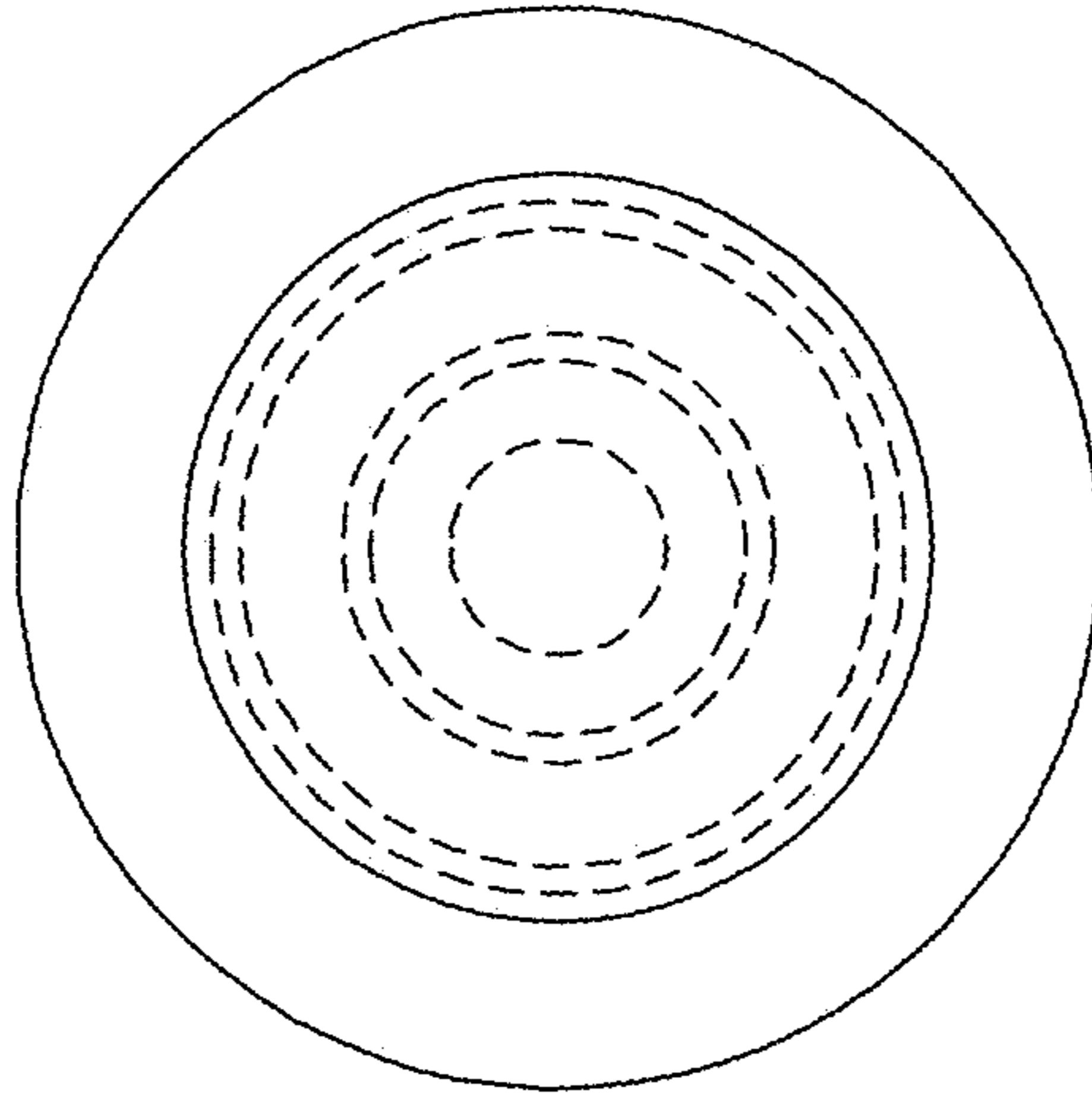


FIG. 3

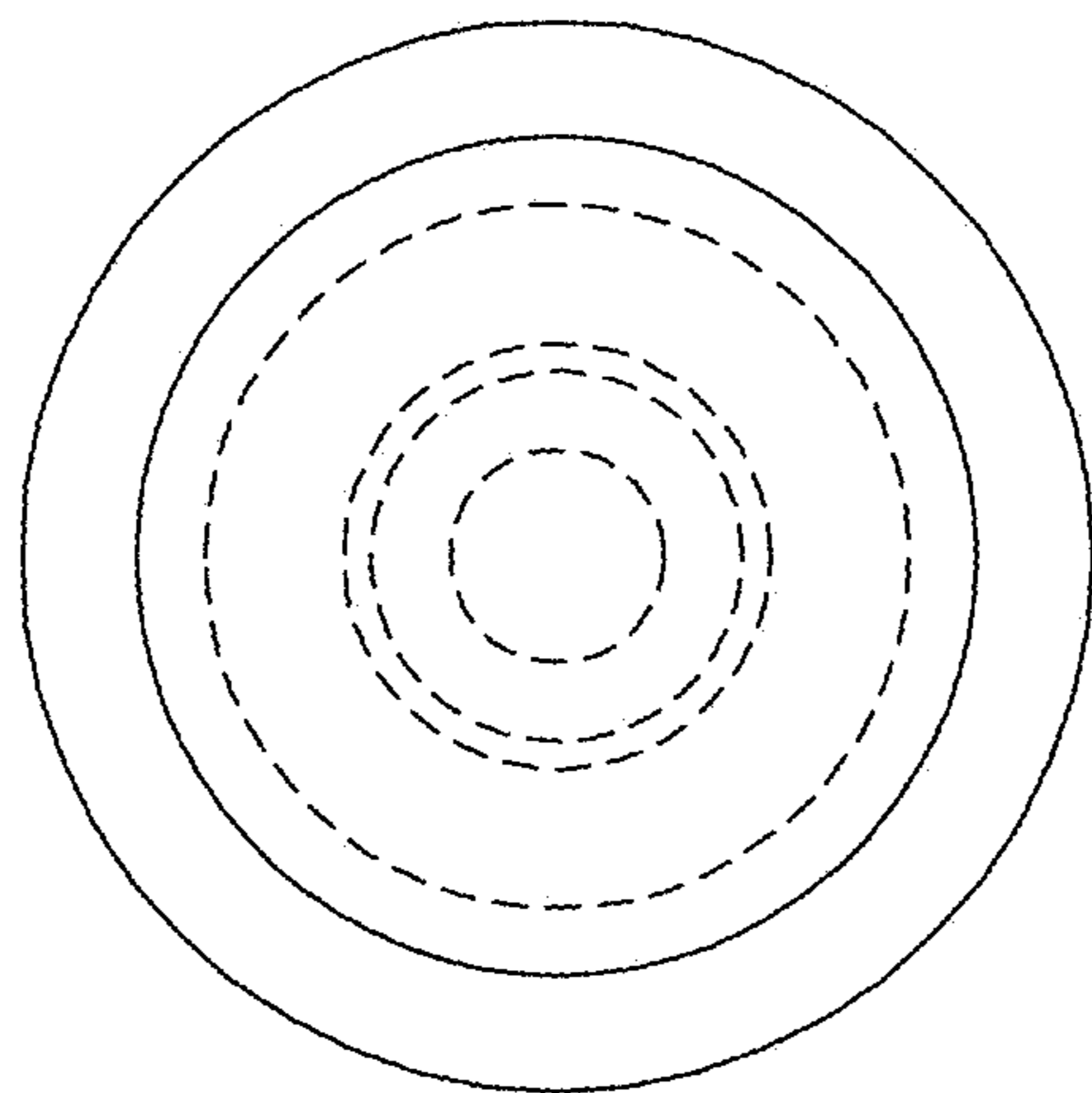


FIG. 4