



US00D707529S

(12) **United States Design Patent**  
**Fretz**

(10) **Patent No.:** **US D707,529 S**  
(45) **Date of Patent:** **\*\* Jun. 24, 2014**

(54) **SHACKLE**

(71) Applicant: **Warn Industries, Inc.**, Clackamas, OR  
(US)

(72) Inventor: **Darren G. Fretz**, Canby, OR (US)

(73) Assignee: **Warn Industries, Inc.**, Clackamas, OR  
(US)

(\*\*) Term: **14 Years**

(21) Appl. No.: **29/451,757**

(22) Filed: **Apr. 8, 2013**

(51) **LOC (10) Cl.** ..... **08-07**

(52) **U.S. Cl.**  
USPC ..... **D8/333; D8/330**

(58) **Field of Classification Search**  
USPC ..... D8/330, 331, 334, 333, 343; 70/14, 20,  
70/21, 22, 31, 51, 57.1, 233, 465, DIG. 3,  
70/DIG. 4; 292/246, 70, 288  
See application file for complete search history.

(56) **References Cited**

**U.S. PATENT DOCUMENTS**

2,124,912 A \* 7/1938 Ehmman ..... 59/86  
2,209,007 A \* 7/1940 Stevenson ..... 59/86

D239,003 S \* 3/1976 Seakan ..... D8/334  
4,102,124 A \* 7/1978 Swager ..... 59/86  
4,423,610 A \* 1/1984 Hart et al. .... 70/18  
5,046,881 A \* 9/1991 Swager ..... 403/154  
5,114,260 A \* 5/1992 Hart et al. .... 403/24  
5,433,547 A \* 7/1995 Hart et al. .... 403/24  
6,023,927 A \* 2/2000 Epstein ..... 59/86  
D430,787 S \* 9/2000 Liu ..... D8/333  
D433,617 S \* 11/2000 Gray, Jr. .... D8/356  
D454,293 S \* 3/2002 Bremicker ..... D8/334  
D698,621 S \* 2/2014 Moreau et al. .... D8/333

\* cited by examiner

*Primary Examiner* — Prabhakar Deshmukh

(74) *Attorney, Agent, or Firm* — Alleman Hall McCoy  
Russell & Tuttle LLP

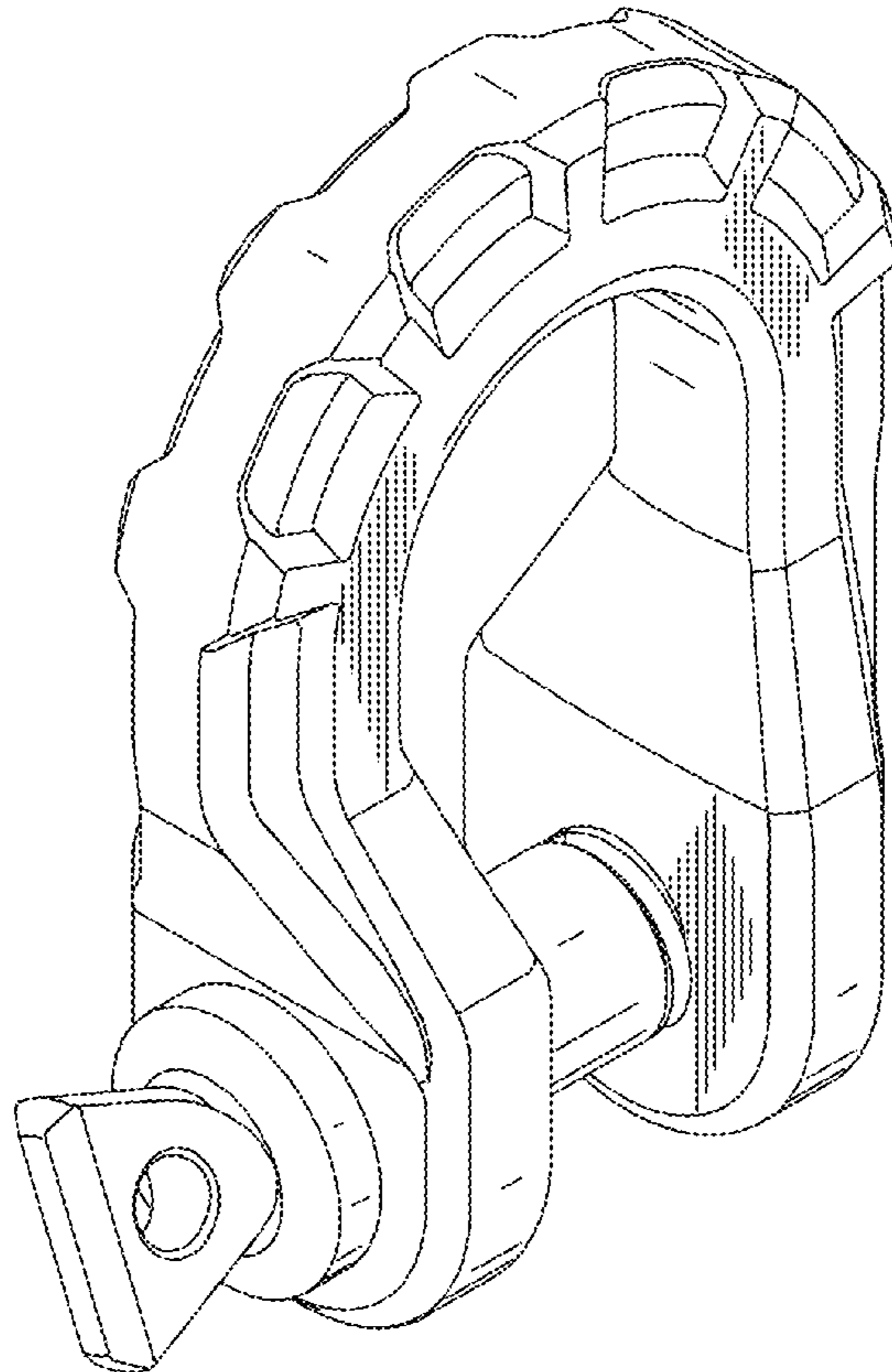
(57) **CLAIM**

The ornamental design for a shackle, as shown and described.

**DESCRIPTION**

FIG. 1 is a perspective view of a shackle showing my new design;  
FIG. 2 is a front elevation view thereof;  
FIG. 3 is right side view thereof;  
FIG. 4 is a rear view thereof;  
FIG. 5 is a left elevation thereof;  
FIG. 6 is a top view thereof; and,  
FIG. 7 is a bottom view thereof.

**1 Claim, 7 Drawing Sheets**



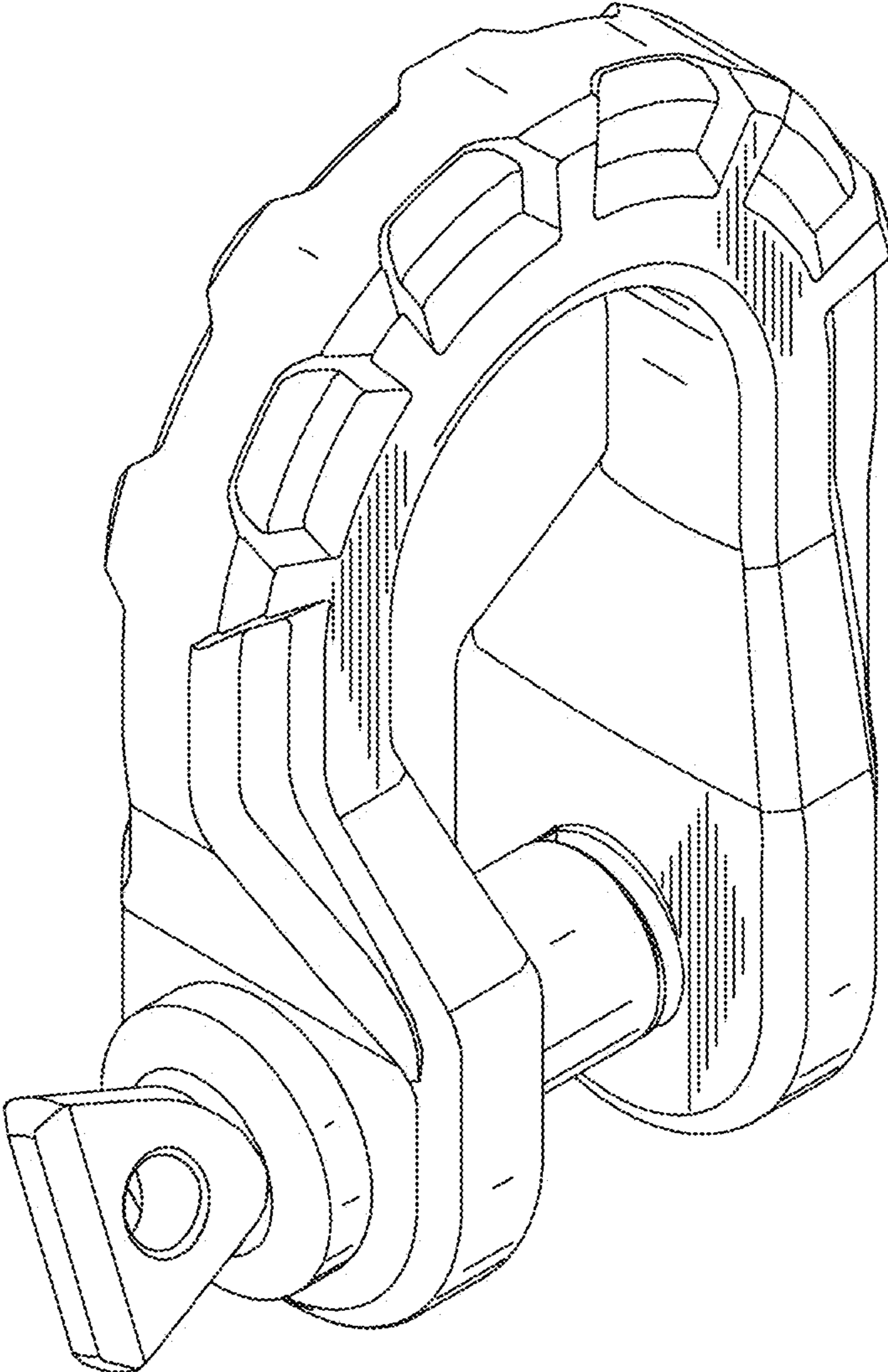


FIG 1

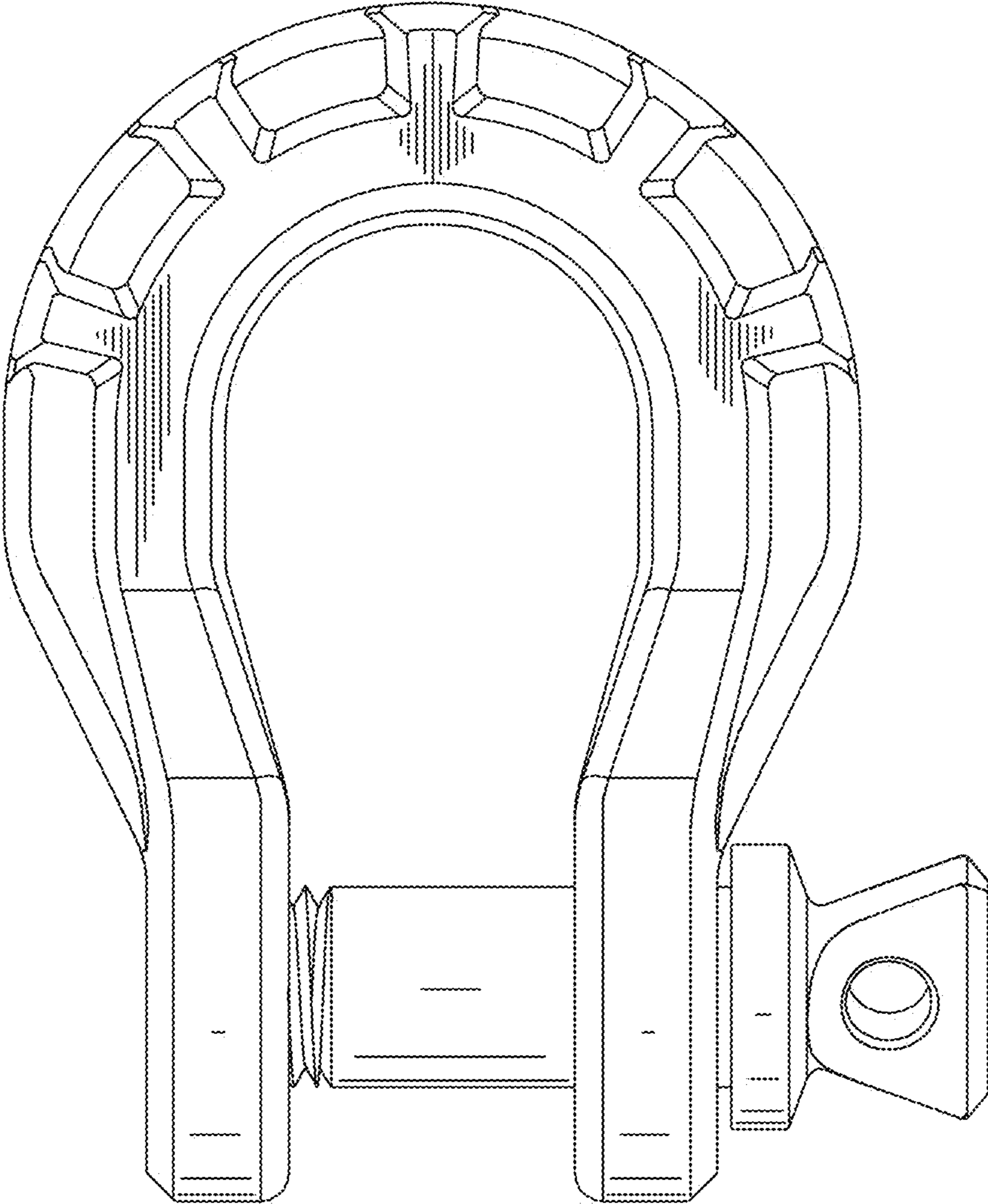


FIG 2

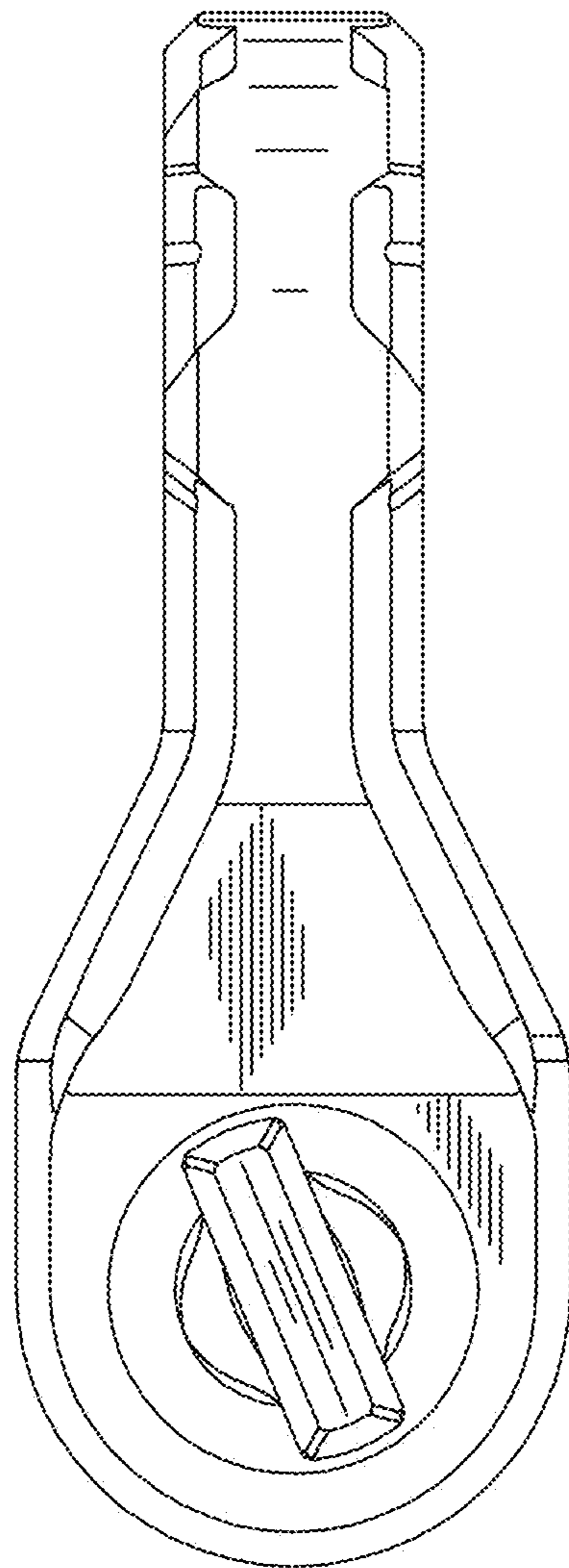


FIG 3

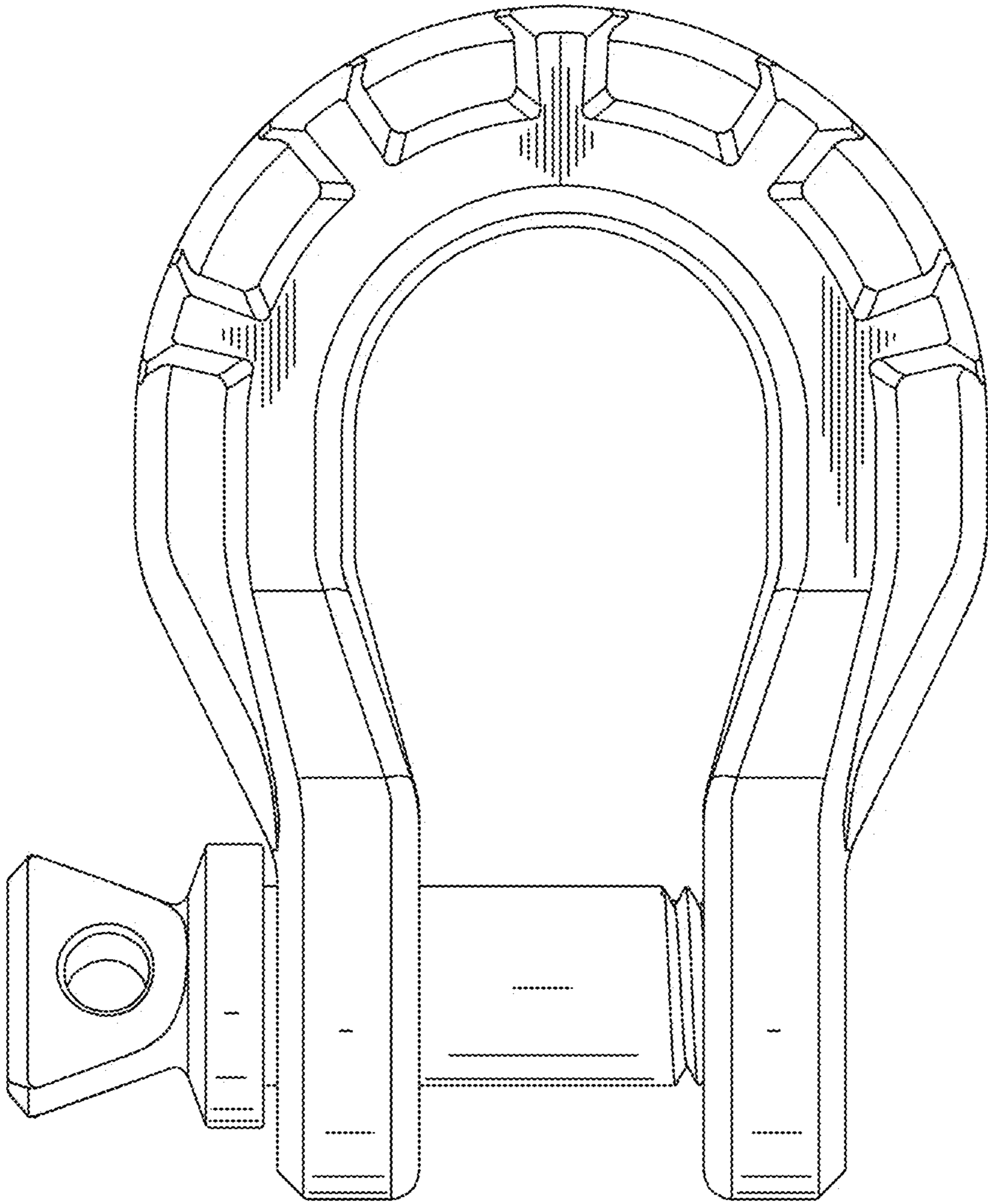


FIG 4

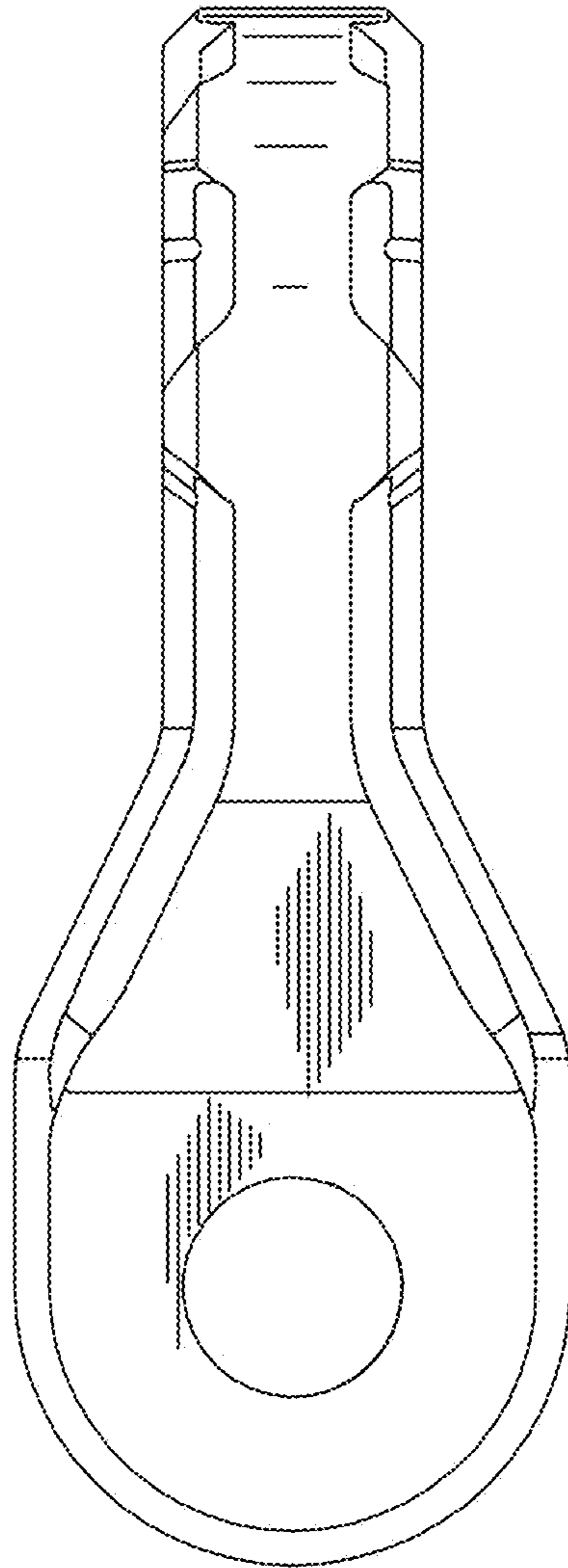


FIG 5

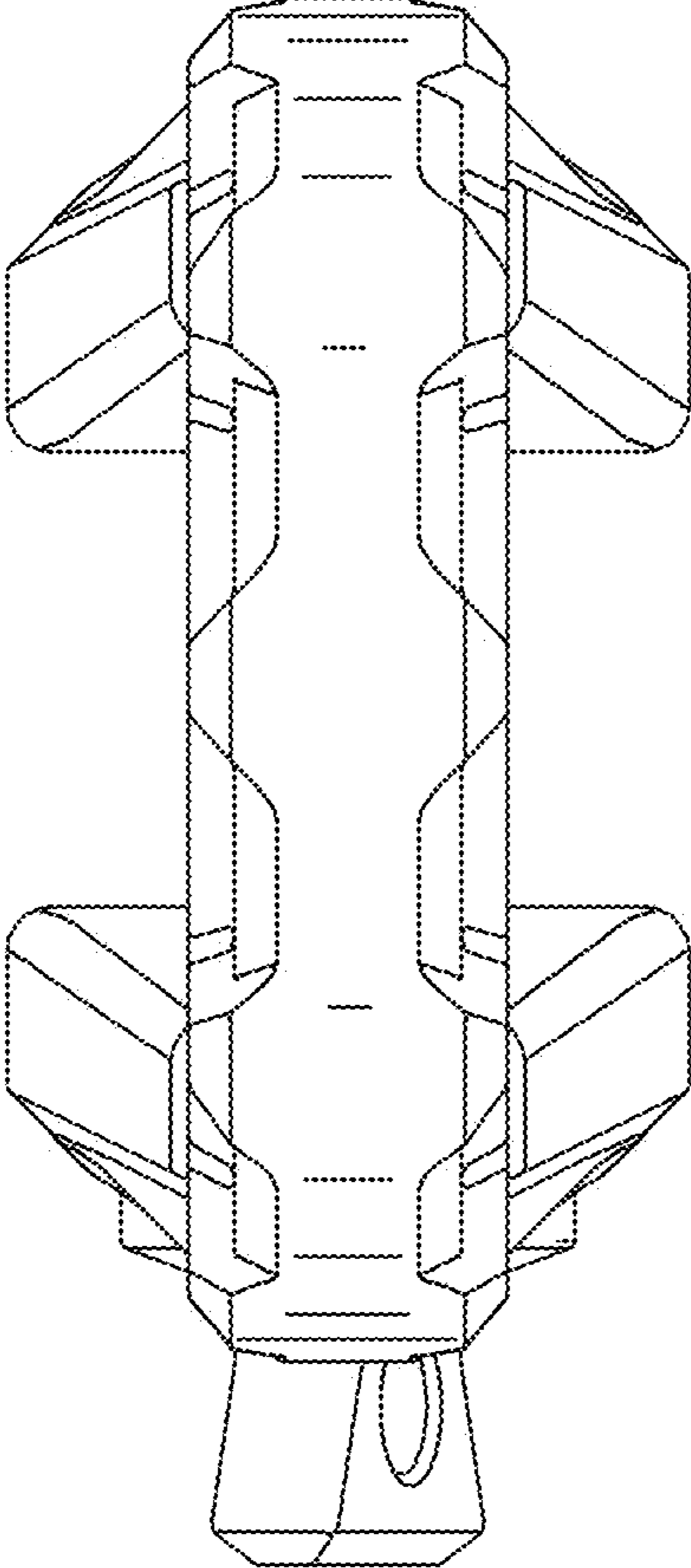


FIG 6

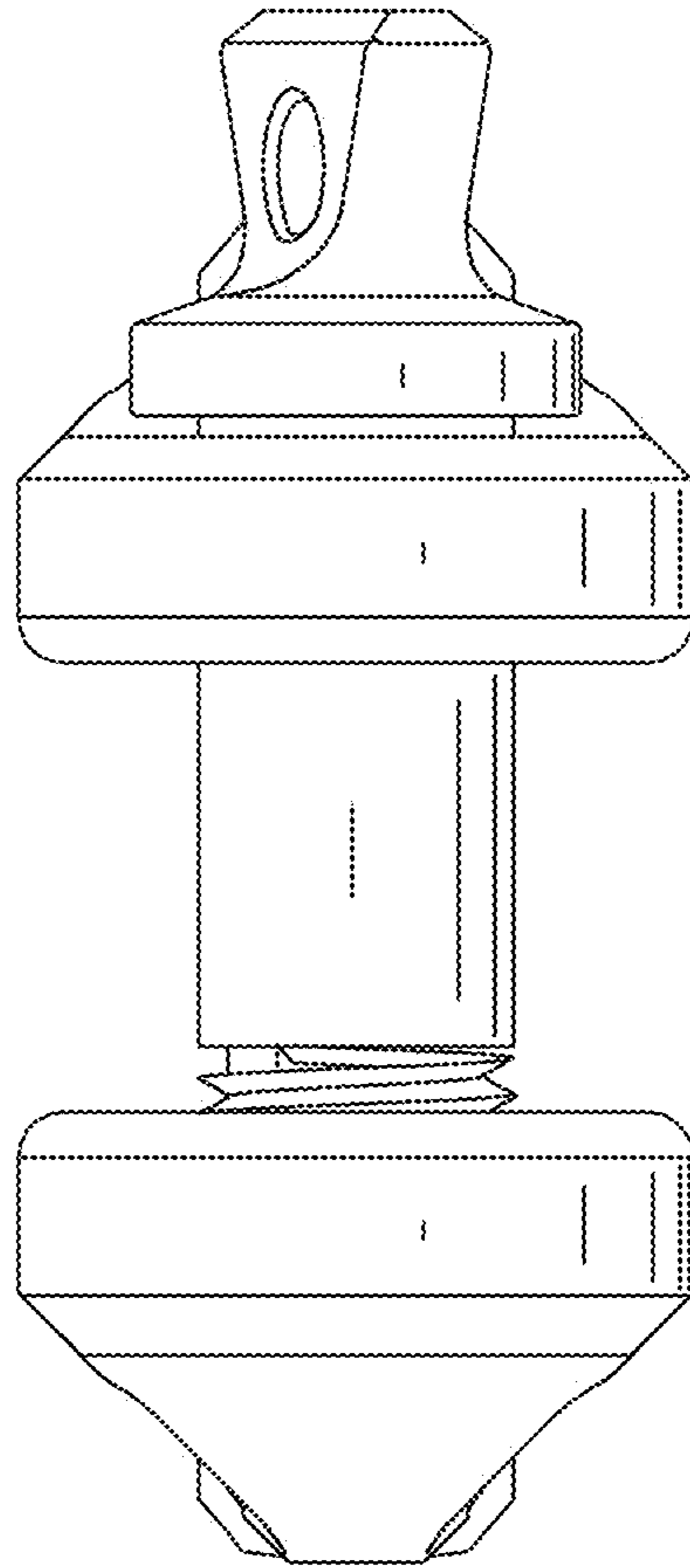


FIG 7