



US00D707525S

(12) **United States Design Patent**
Ali et al.

(10) **Patent No.:** **US D707,525 S**
(45) **Date of Patent:** **** Jun. 24, 2014**

(54) **SANDING BLOCK**

(71) Applicants: **Terry Ali**, Fairbon, OH (US);
Christopher Ali, Beavercreek, OH (US);
Frank Ali, Xenia, OH (US); **Wayne**
Carl Leblanc, Enon, OH (US)

(72) Inventors: **Terry Ali**, Fairbon, OH (US);
Christopher Ali, Beavercreek, OH (US);
Frank Ali, Xenia, OH (US); **Wayne**
Carl Leblanc, Enon, OH (US)

(**) Term: **14 Years**

(21) Appl. No.: **29/451,779**

(22) Filed: **Apr. 8, 2013**

(51) **LOC (10) Cl.** **08-05**

(52) **U.S. Cl.**
USPC **D8/90**

(58) **Field of Classification Search**
USPC D8/90-94; D32/40; 451/502-503,
451/523-525, 539-540, 557-558; D6/601
See application file for complete search history.

(56) **References Cited**

U.S. PATENT DOCUMENTS

2,386,900	A *	10/1945	Kingman	451/540
D152,607	S *	2/1949	Gerlinger	D8/90
3,089,294	A *	5/1963	Cowley	451/524
4,221,084	A *	9/1980	Frantzen	451/503
4,779,386	A *	10/1988	Harris	451/557
5,054,248	A *	10/1991	Thayer	451/524
D329,583	S *	9/1992	Medina	D8/90
6,261,031	B1 *	7/2001	Stipe et al.	407/29.15
6,267,658	B1 *	7/2001	Ali et al.	451/523
RE37,486	E *	12/2001	Stanzione	451/523
D462,597	S *	9/2002	Deshler	D8/90
D470,381	S *	2/2003	Magann	D8/90
D477,764	S *	7/2003	Magann	D8/90
D478,351	S *	8/2003	Belton et al.	D19/53
D530,178	S *	10/2006	Bortz	D8/90
D547,954	S *	8/2007	Thurin et al.	D4/137

D564,325	S *	3/2008	Henke et al.	D8/90
D577,561	S *	9/2008	Ali et al.	D8/90
D587,089	S *	2/2009	Ali et al.	D8/94
D603,678	S *	11/2009	Ali et al.	D8/90
D607,297	S *	1/2010	Ali et al.	D8/90
D612,222	S *	3/2010	Ali et al.	D8/90
2009/0235480	A1 *	9/2009	Armaly, Jr.	15/244.4
2012/0023694	A1 *	2/2012	Nicas	15/210.1

OTHER PUBLICATIONS

Ali Industries Gator Grit. <http://www.hardwareandtools.com/Ali-Industries-4124-Gator-Grit-Hook-And-Loop-Waterp> . . . Aug. 7, 2013.*

* cited by examiner

Primary Examiner — Philip S Hyder

Assistant Examiner — Roselynn Cody

(74) *Attorney, Agent, or Firm* — R. William Graham

(57) **CLAIM**

The ornamental design for the sanding block, as shown and described.

DESCRIPTION

FIG. 1 is a back perspective view of a sanding block showing our new design;

FIG. 2 is a front perspective view of a sanding block showing our new design;

FIG. 3 is a top view of a sanding block showing our new design;

FIG. 4 is a right side elevation view of a sanding block showing our new design;

FIG. 5 is a bottom view of a sanding block showing our new design;

FIG. 6 is a left side elevation view of a sanding block showing our new design;

FIG. 7 is a back end elevation view of a sanding block showing our new design; and,

FIG. 8 is a front end elevation view of a sanding block showing our new design.

1 Claim, 2 Drawing Sheets

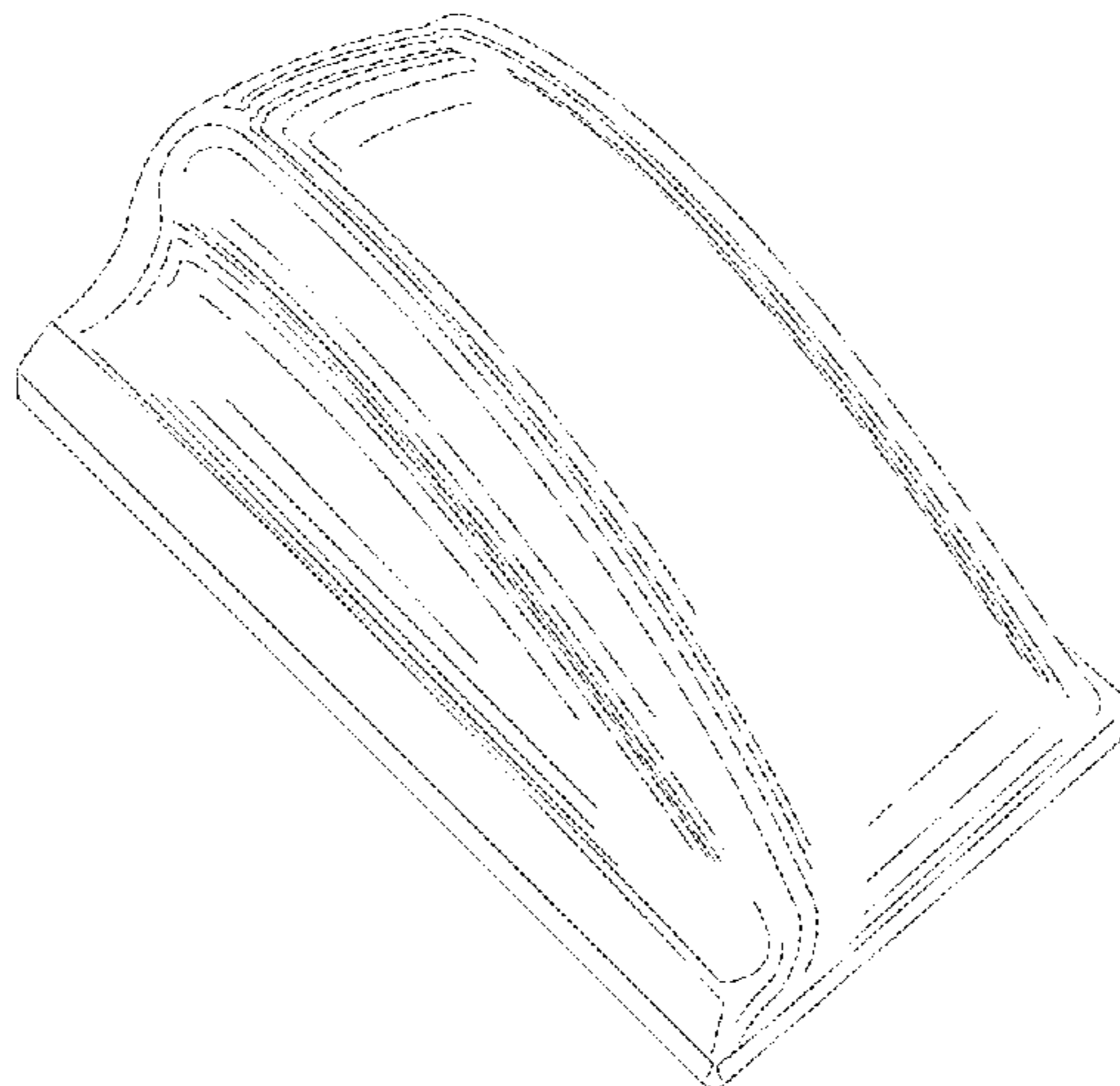


Fig. 1

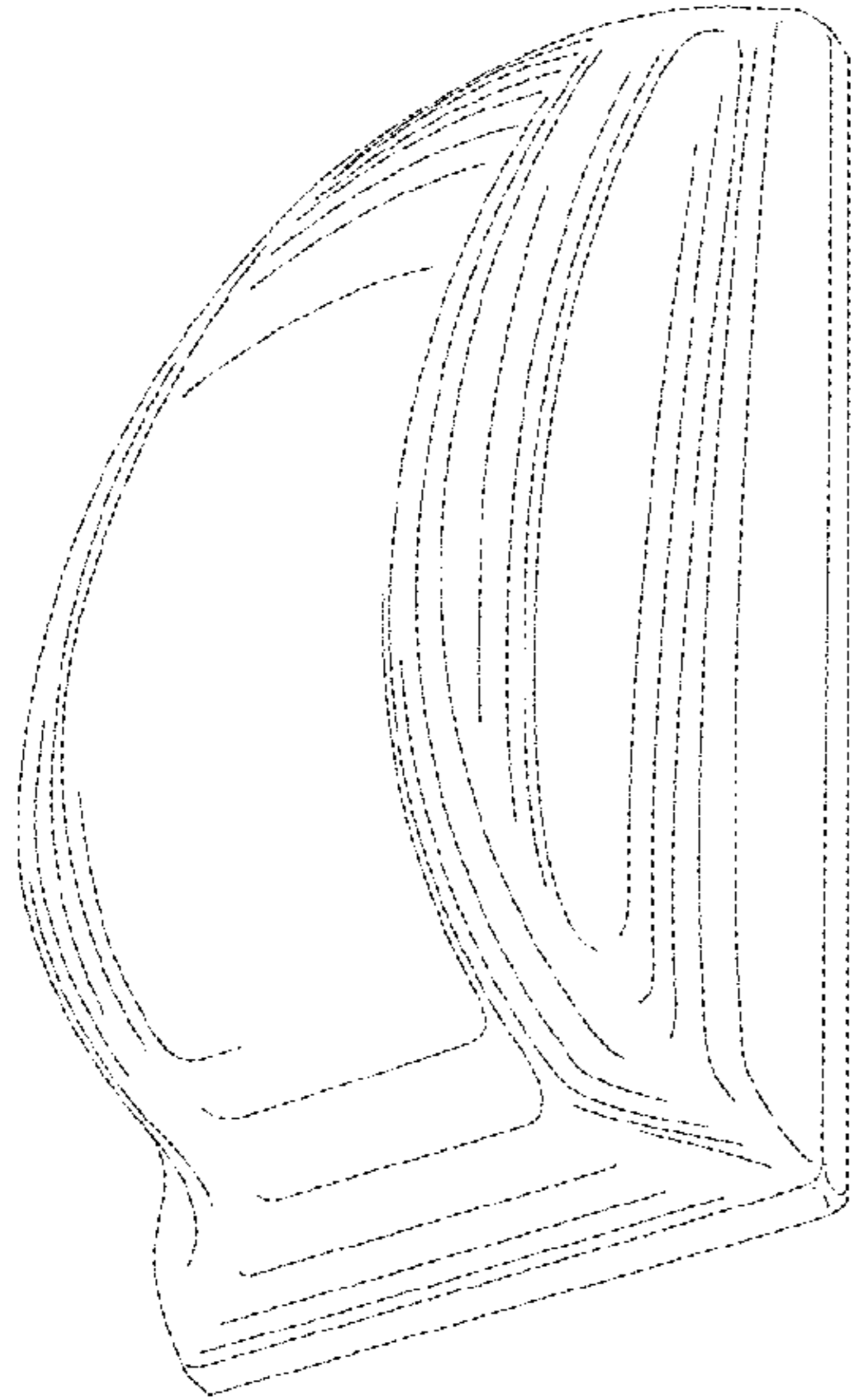


Fig. 2

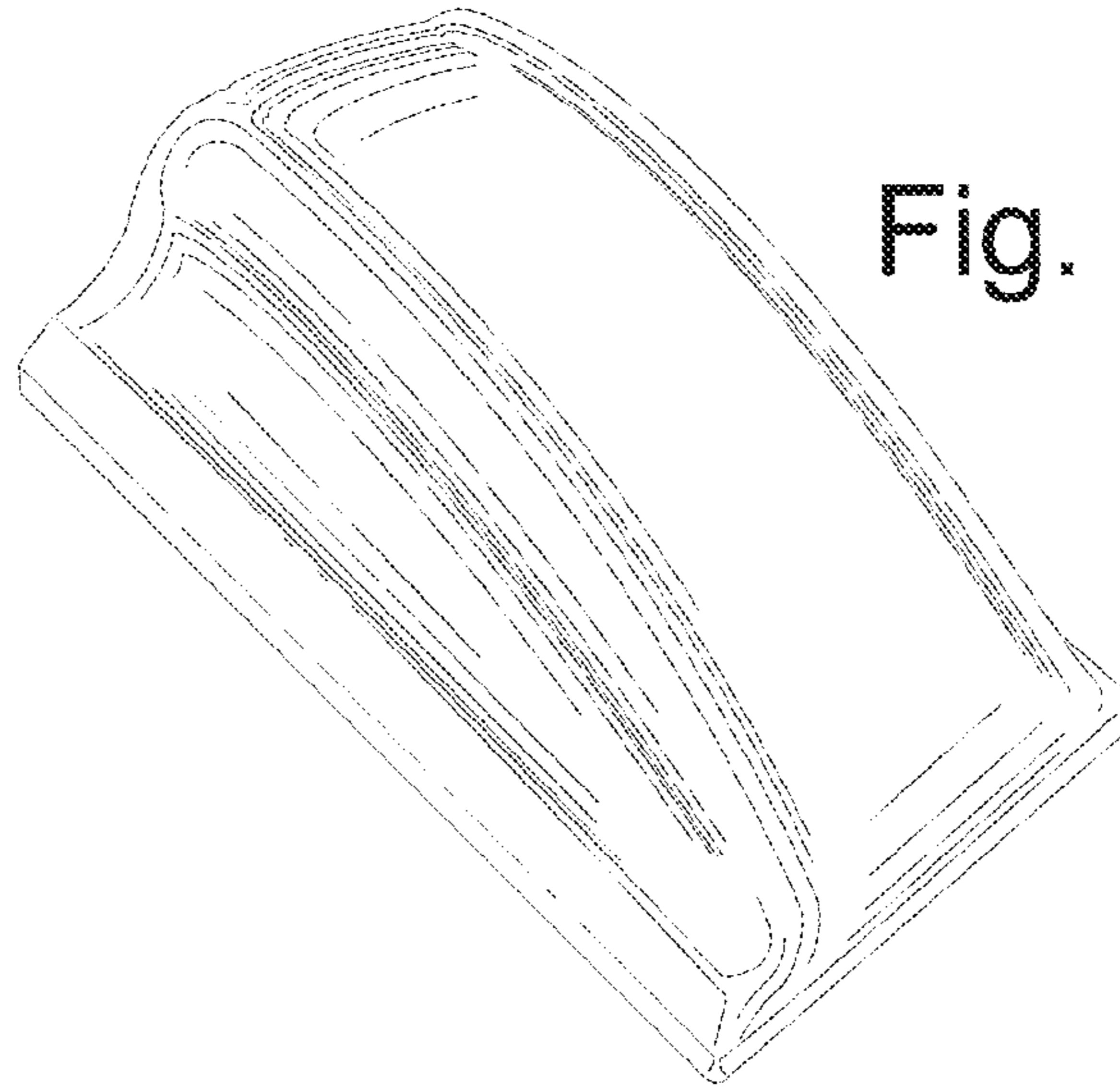


Fig. 3

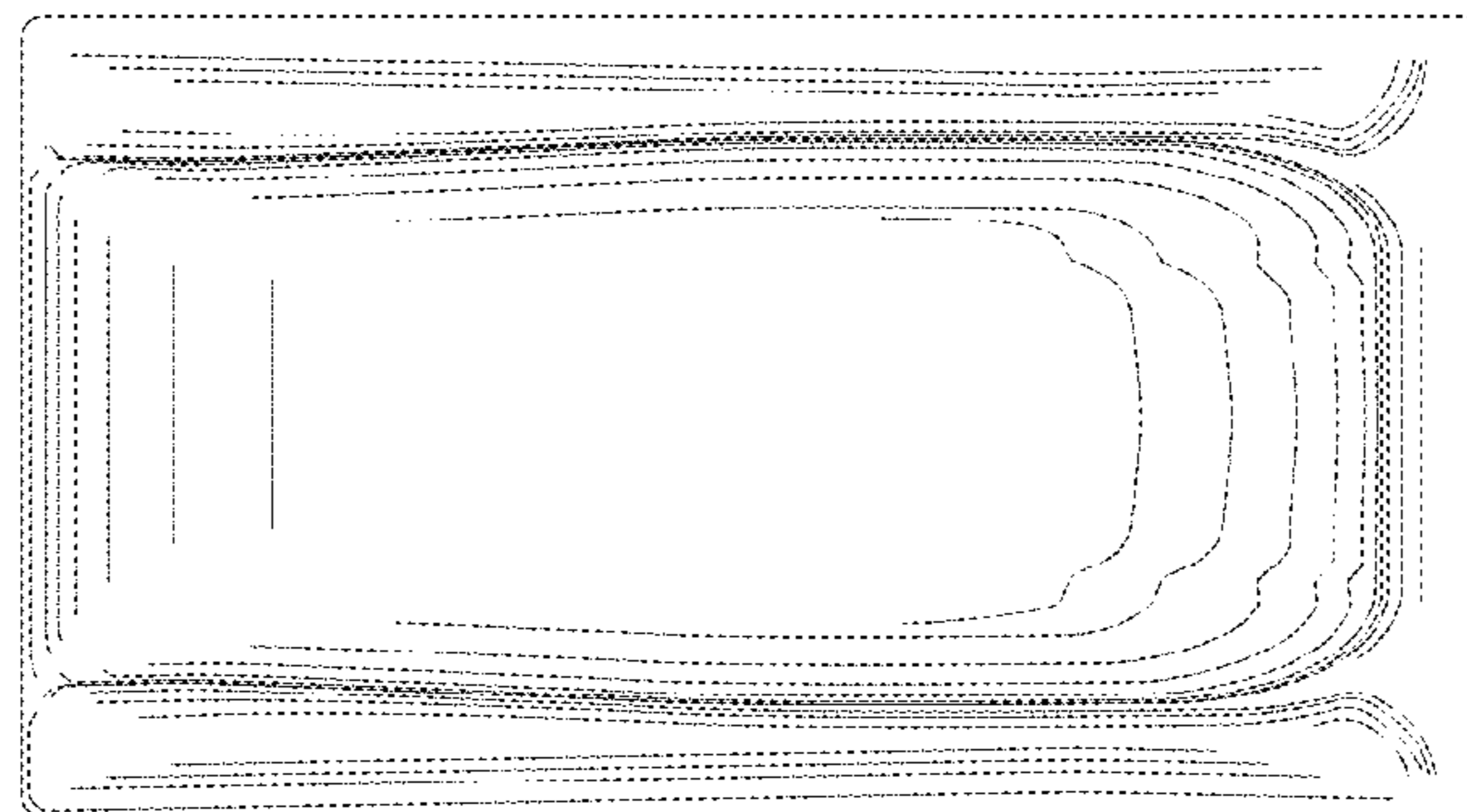


Fig. 4

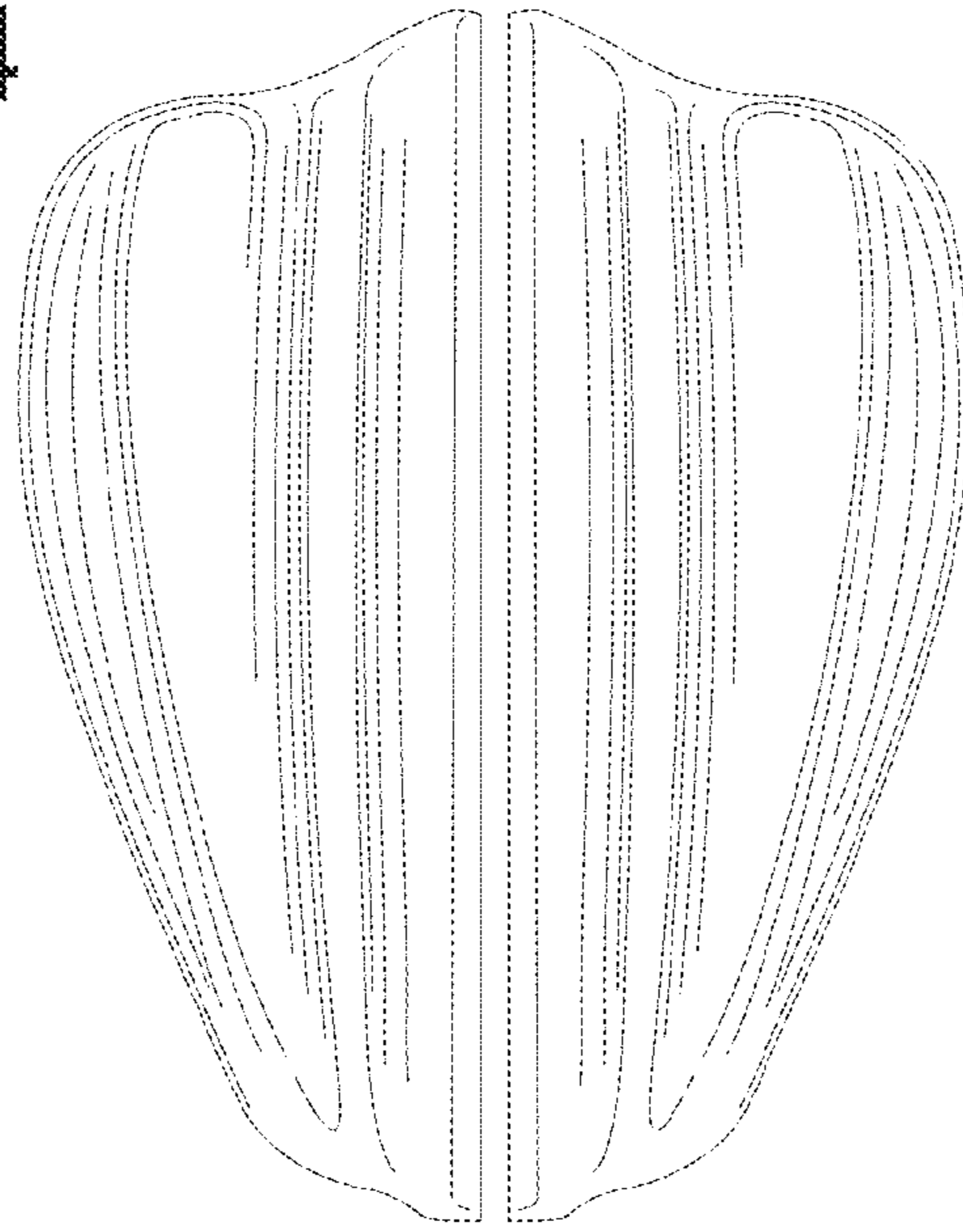


Fig. 6

Fig. 5

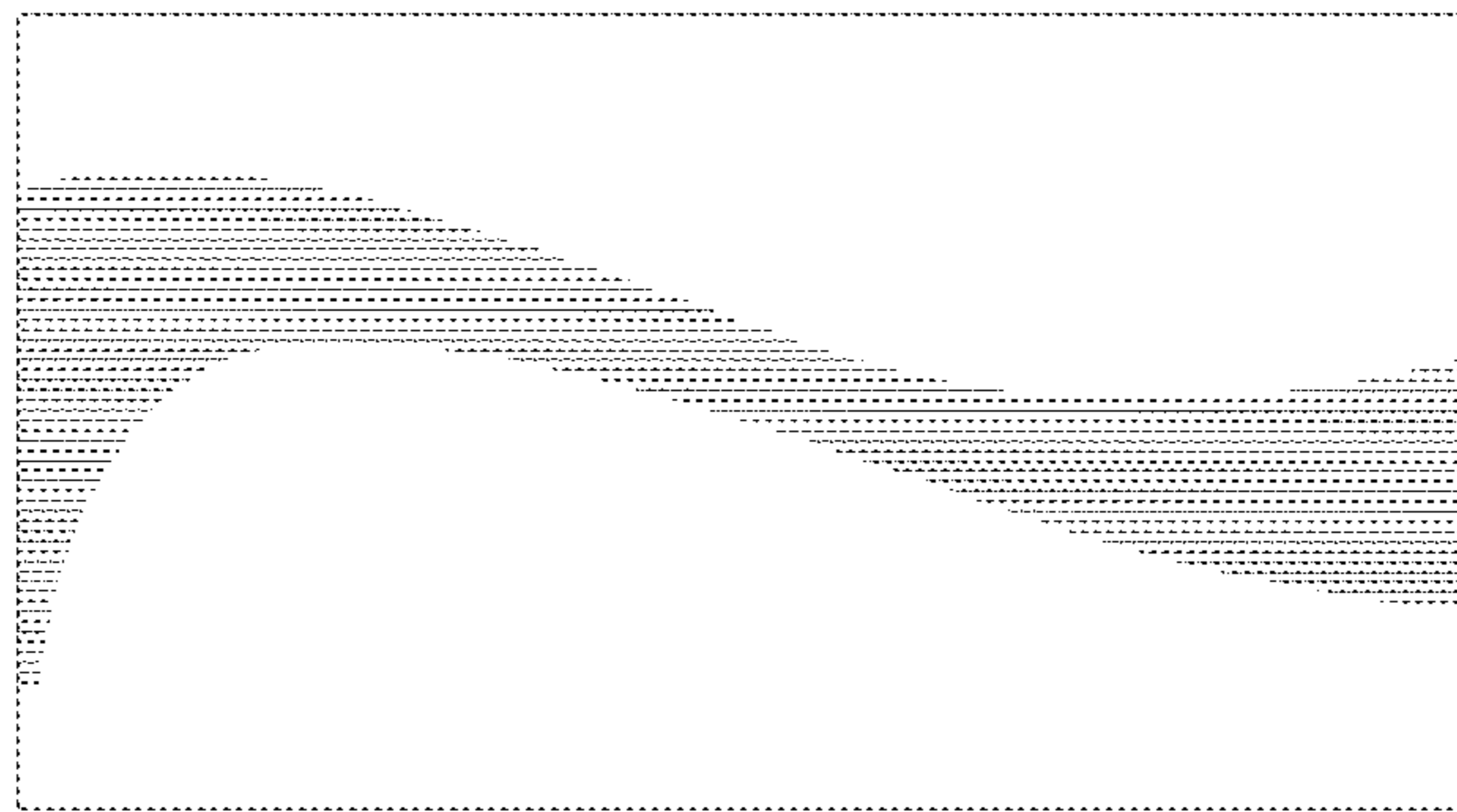


Fig. 7

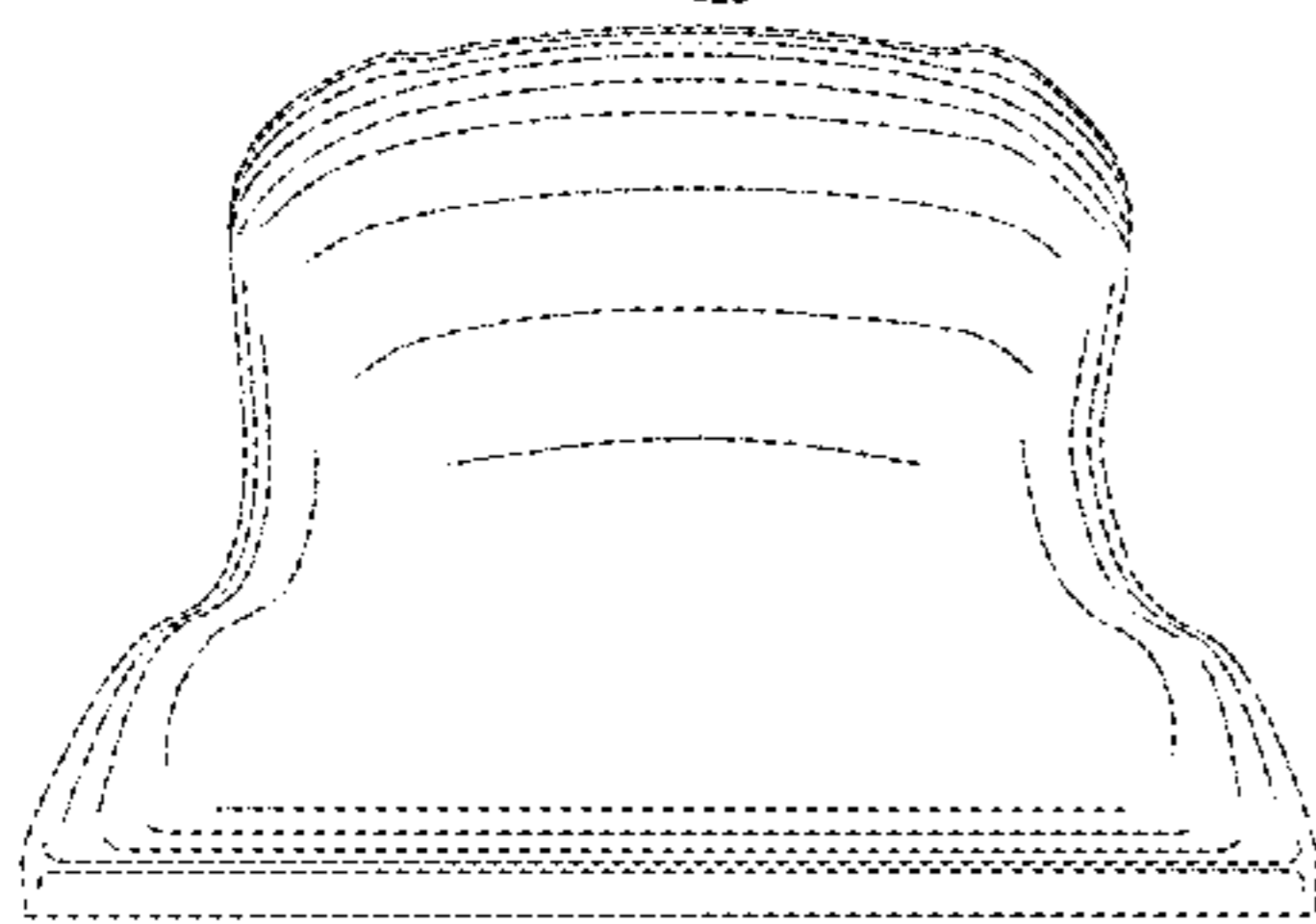


Fig. 8

