



US00D707523S

(12) **United States Design Patent**
Liao et al.

(10) **Patent No.:** **US D707,523 S**
(45) **Date of Patent:** **** Jun. 24, 2014**

(54) **RECIPROCATING SCRAPER TOOL**

(71) Applicants: **David Liao**, Grand Prairie, WI (US);
William P. Russo, Hartford, WI (US)

(72) Inventors: **David Liao**, Grand Prairie, WI (US);
William P. Russo, Hartford, WI (US)

(**) Term: **14 Years**

(21) Appl. No.: **29/456,285**

(22) Filed: **May 30, 2013**

(51) **LOC (10) Cl.** **08-03**

(52) **U.S. Cl.**
USPC **D8/70**

(58) **Field of Classification Search**
USPC D7/99, 306–313, 317–318, 326, 356,
D7/376–386, 392, 397–399, 412–415, 607,
D7/665, 688, 693; D8/14, 70; D15/12, 28,
D15/138; D32/35, 46, 54; 7/105, 170;
99/348, 509–511; 241/101.1,
241/274–278.2, 282.2, 285.1–285.3, 291,
241/292.1; 366/64–67, 98, 129, 192,
366/197–211, 251, 270, 279–292, 312,
366/327.3, 343, 605

See application file for complete search history.

(56) **References Cited**

U.S. PATENT DOCUMENTS

D228,732 S *	10/1973	Danielson	D8/70
D313,682 S *	1/1991	Martin et al.	D32/49
5,056,226 A *	10/1991	Gringer	30/169
D346,103 S *	4/1994	Warner	D8/47
5,924,204 A *	7/1999	Lane	30/169
D525,840 S *	8/2006	Bruce	D8/47
D570,063 S *	5/2008	Manak	D32/49
D648,356 S *	11/2011	Clark	D15/29

D689,755 S *	9/2013	Quinn et al.	D8/70
D691,013 S *	10/2013	Campbell et al.	D8/70
D697,384 S *	1/2014	Wackwitz	D8/70
2008/0189957 A1 *	8/2008	Kasper	30/167
2013/0205600 A1 *	8/2013	Kehoe	30/169

OTHER PUBLICATIONS

“2013 Spyder Product Catalog—The Original Spyder Scraper.” p. 4, Jul. 18, 2013 [online], [retrieved on Apr. 26, 2014]. Retrieved from the Internet <URL: <http://www.spyderproducts.com/wp-content/uploads/Spyder-Product-Catalog.pdf>>.*

* cited by examiner

Primary Examiner — Philip S Hyder

Assistant Examiner — Darlington Ly

(74) *Attorney, Agent, or Firm* — Donald J. Ersler

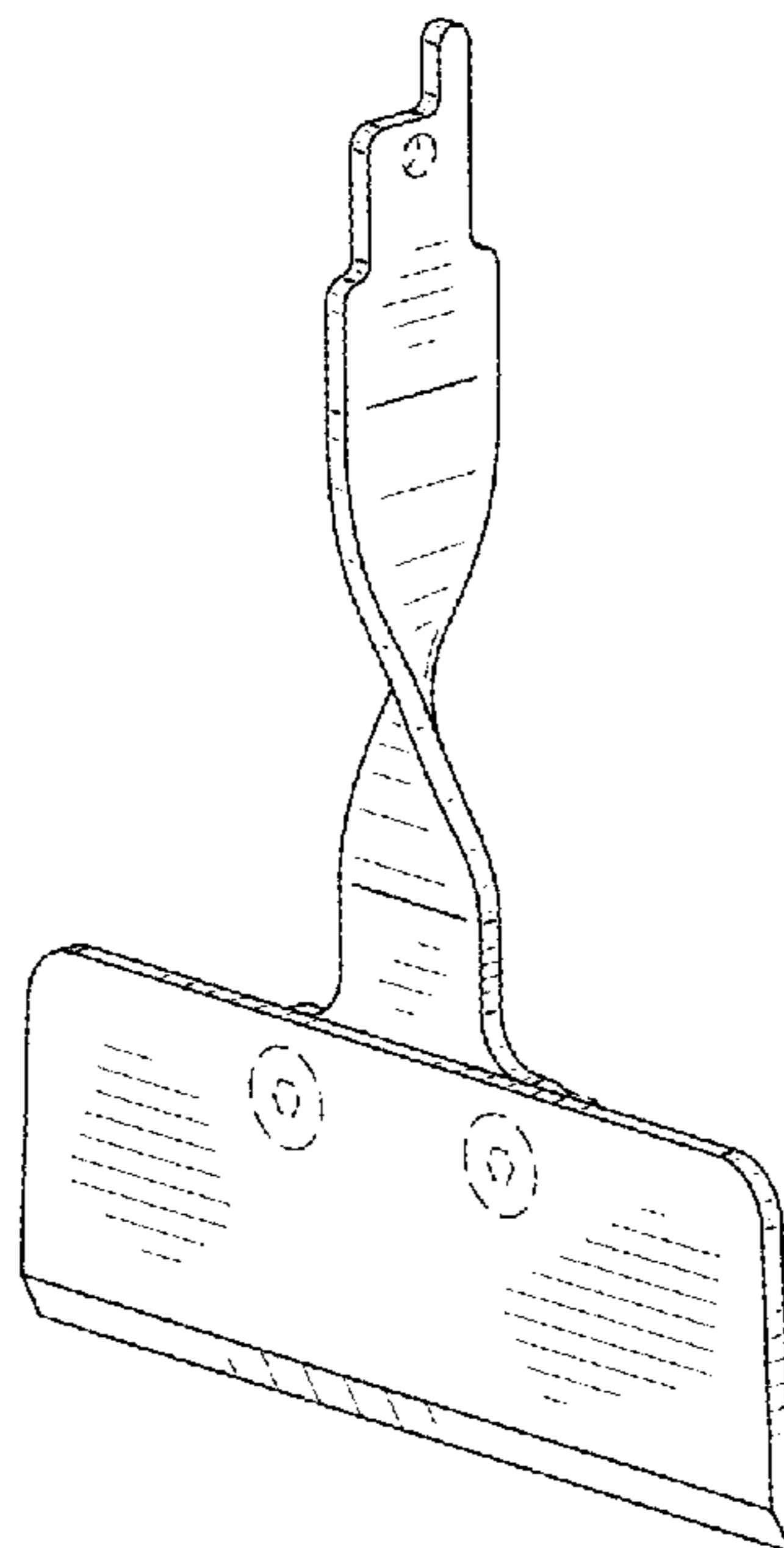
(57) **CLAIM**

The ornamental design for the reciprocating scraper tool, as shown and described.

DESCRIPTION

FIG. 1 is a front perspective view of a reciprocating scraper tool incorporating my new design;
FIG. 2 is a left side perspective view thereof;
FIG. 3 is a rear perspective view thereof;
FIG. 4 is a front elevation view thereof;
FIG. 5 is a rear elevation view thereof;
FIG. 6 is a left side view thereof;
FIG. 7 is a right side view thereof;
FIG. 8 is a top plan view thereof; and,
FIG. 9 is a bottom plan view thereof.
The broken lines shown in the drawings illustrate portions of the reciprocating scraper tool that forms no part of claimed design.

1 Claim, 3 Drawing Sheets



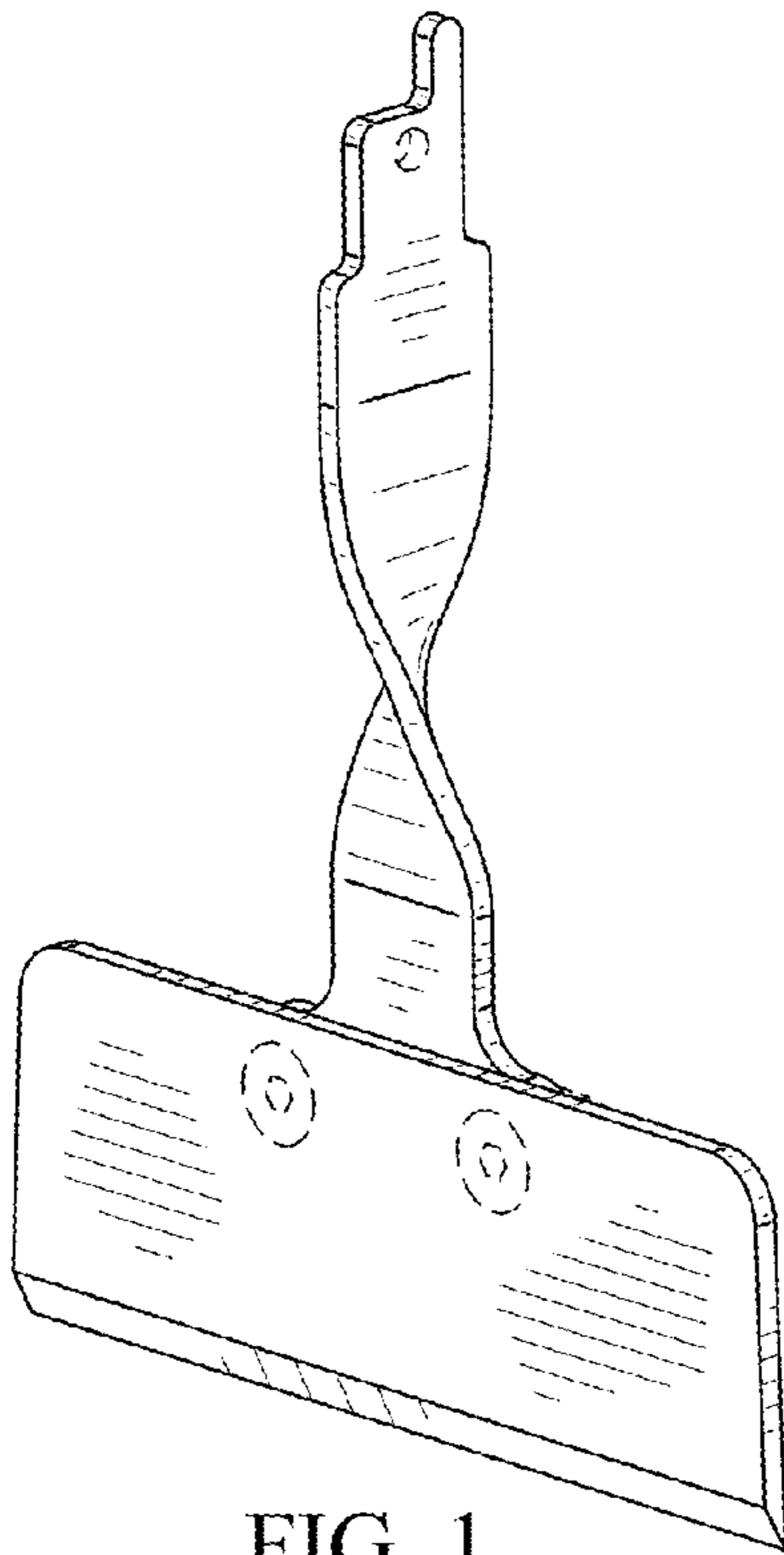


FIG. 1

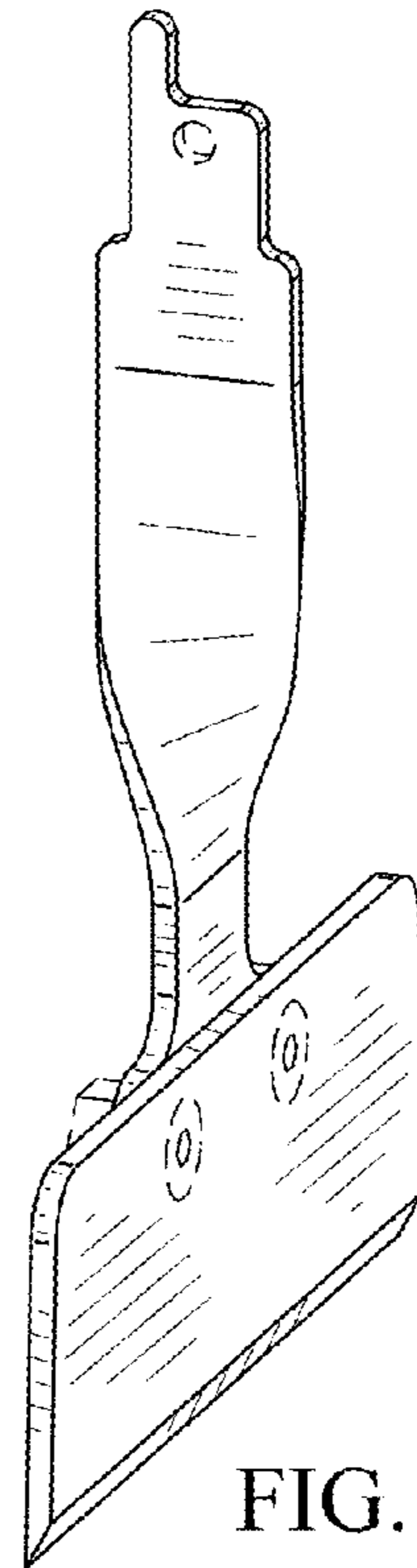


FIG. 2

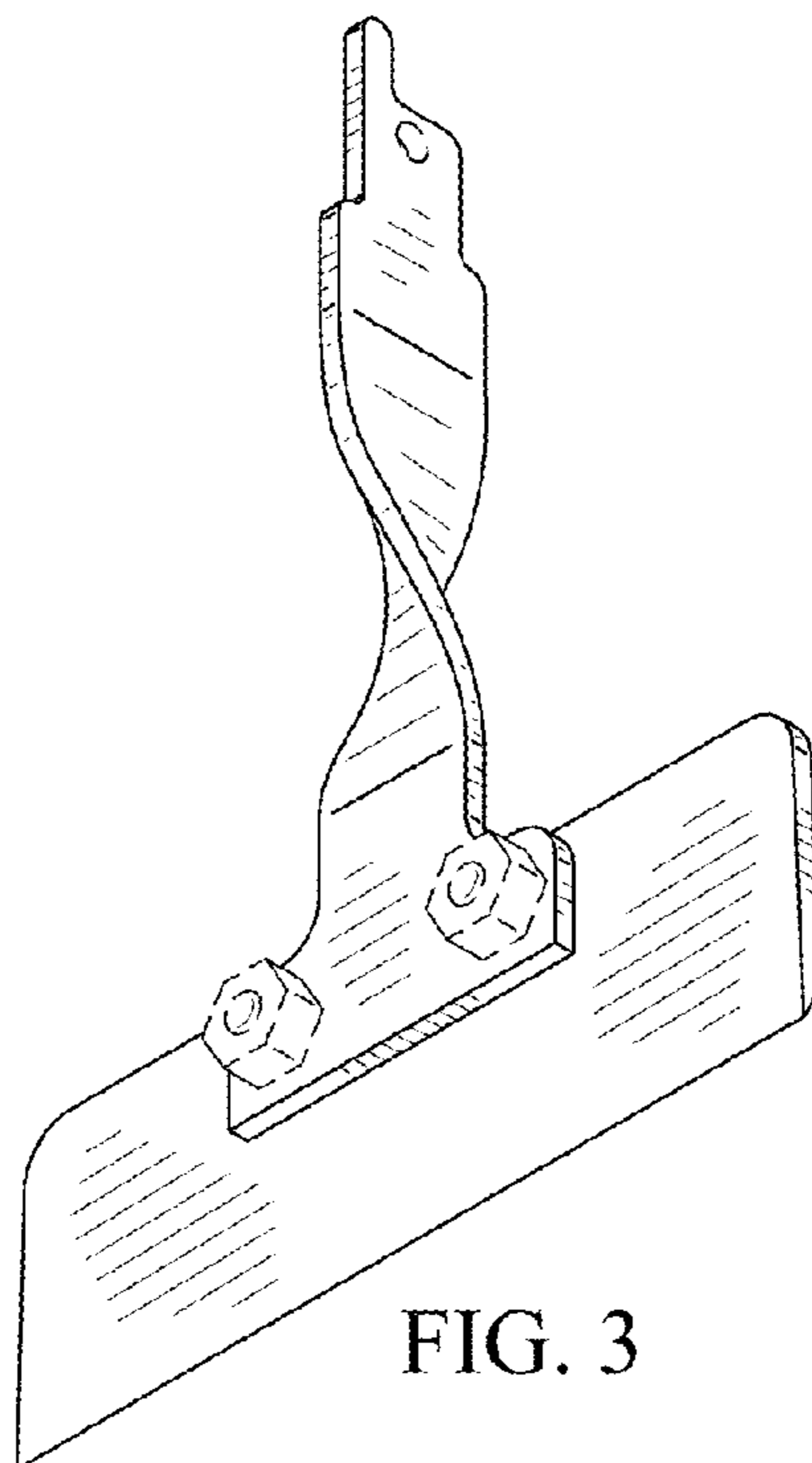


FIG. 3

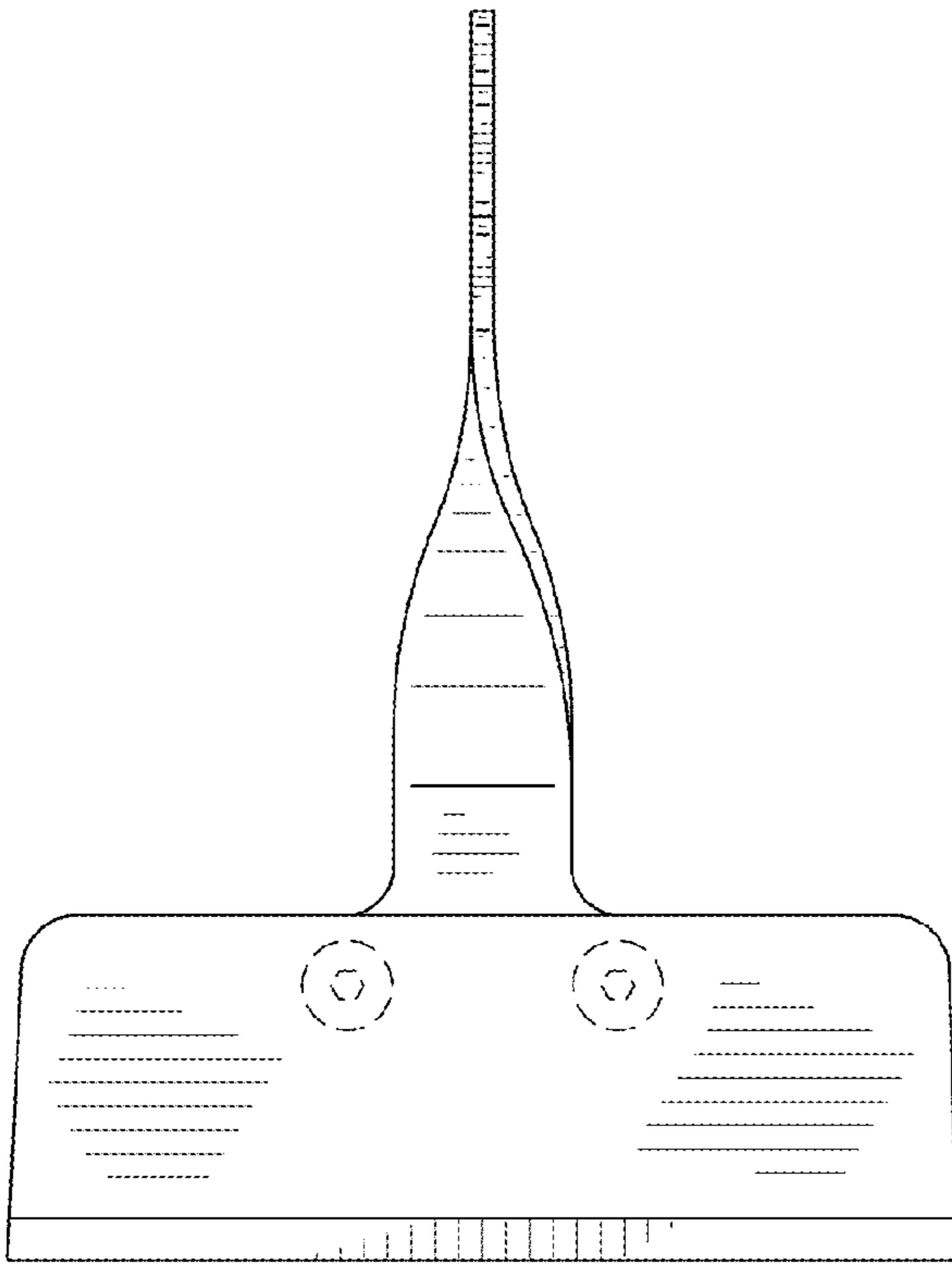


FIG. 4

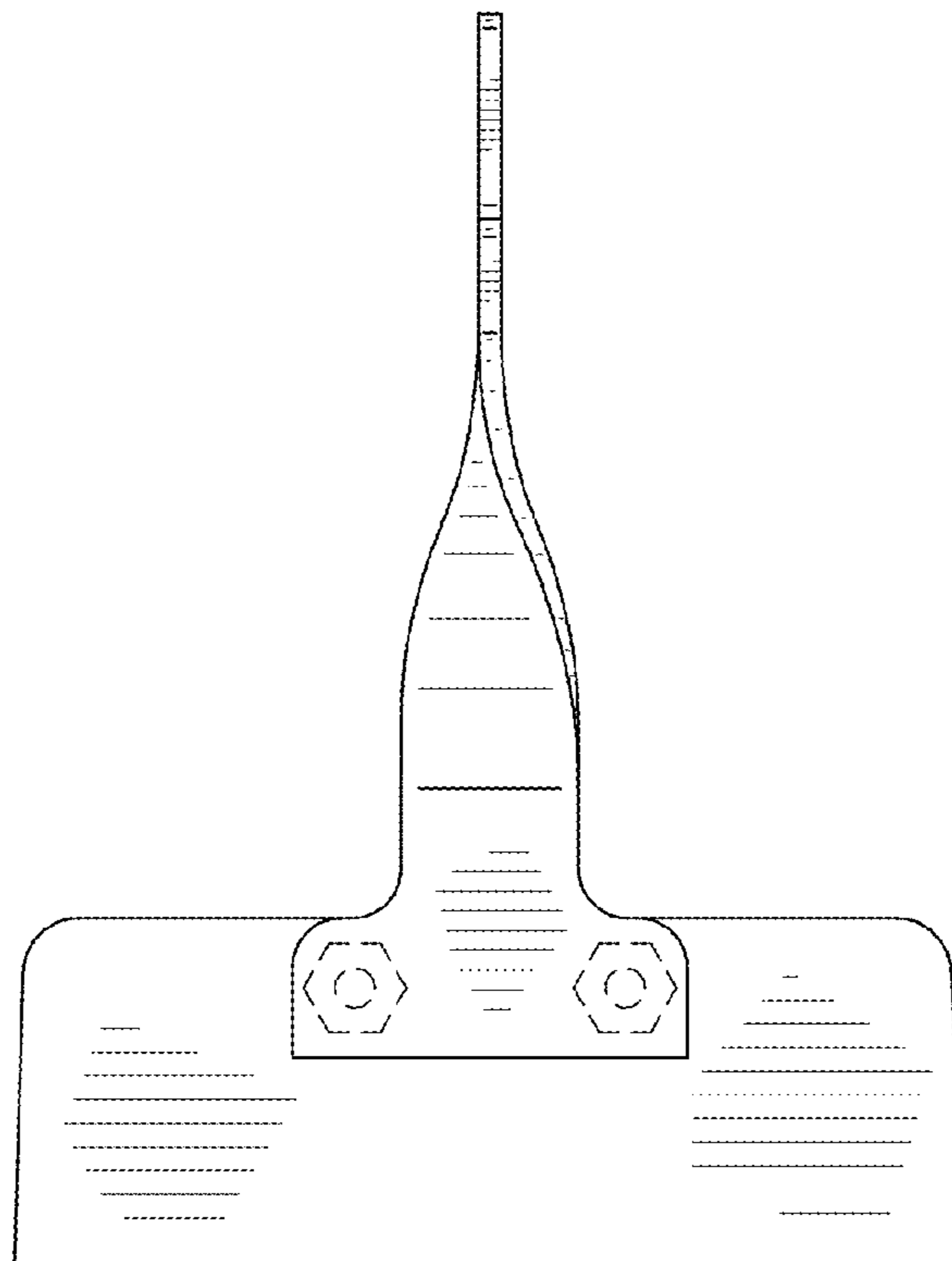


FIG. 5

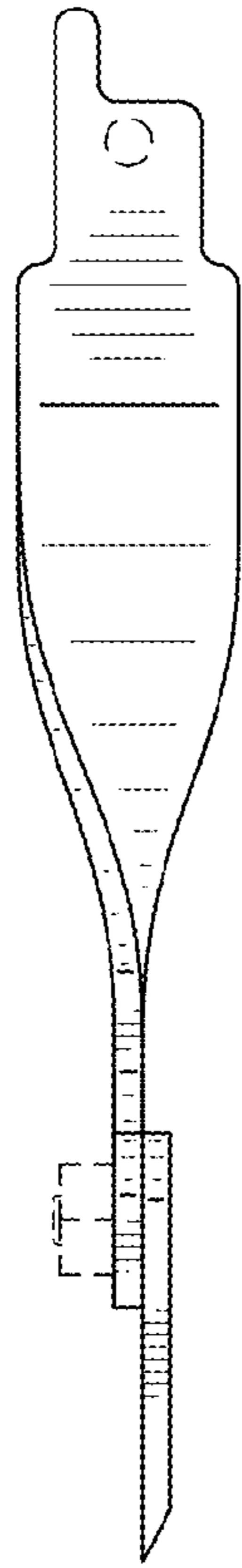


FIG. 6

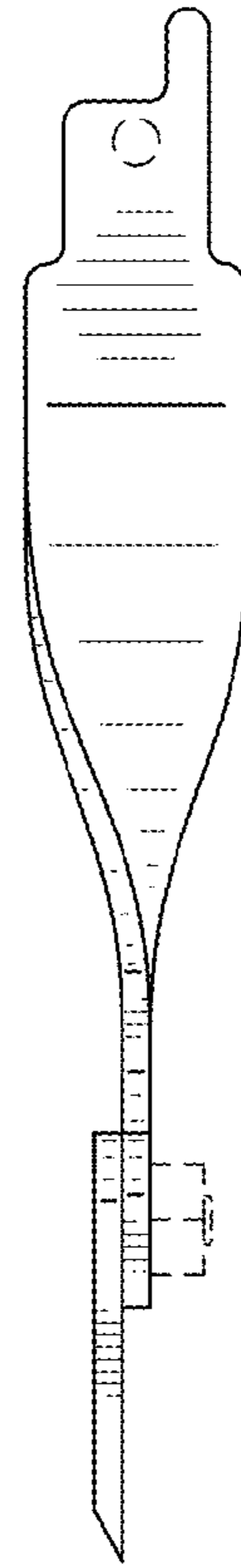


FIG. 7

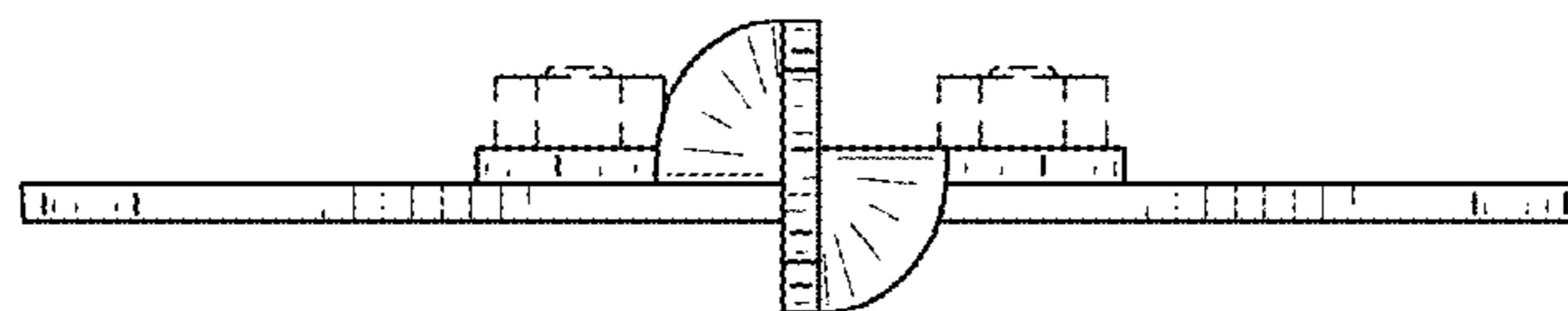


FIG. 8

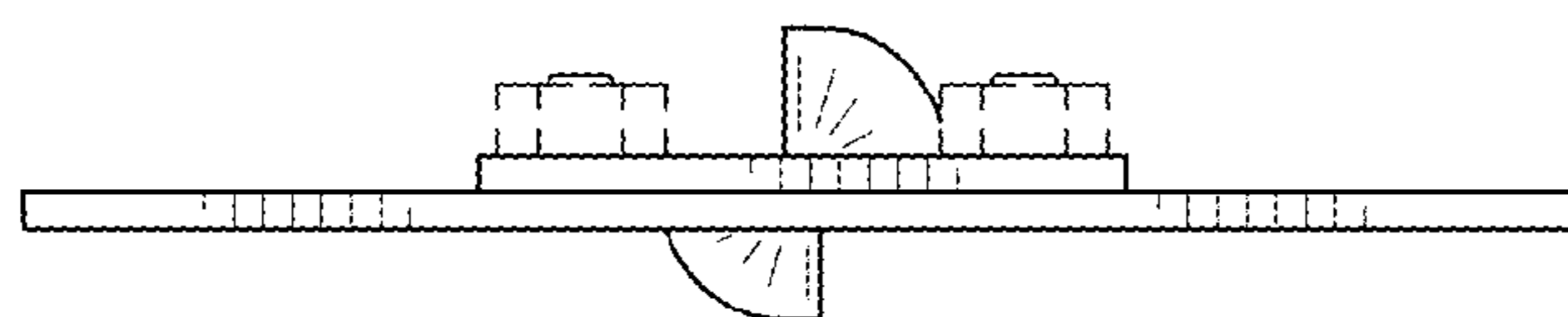


FIG. 9