



US00D707521S

(12) **United States Design Patent**
Naksen

(10) **Patent No.:** **US D707,521 S**
(45) **Date of Patent:** **** Jun. 24, 2014**

- (54) **DRILL DRIVER TOOL**
- (71) Applicant: **Ingersoll-Rand Company**, Davidson, NC (US)
- (72) Inventor: **Dennis Naksen**, Chatham, NJ (US)
- (73) Assignee: **Ingersoll-Rand Company**, Davidson, NC (US)
- (**) Term: **14 Years**
- (21) Appl. No.: **29/460,795**
- (22) Filed: **Jul. 15, 2013**
- (51) **LOC (10) Cl.** **08-03**
- (52) **U.S. Cl.**
USPC **D8/68**
- (58) **Field of Classification Search**
USPC D8/61, 67, 68; 81/57.4, 489; 173/48, 173/109, 170, 178, 217; 408/124, 125; 362/119; 475/149
See application file for complete search history.

2011/0011610	A1*	1/2011	Welke et al.	173/217
2011/0147021	A1*	6/2011	Schaal et al.	173/47
2012/0241183	A1*	9/2012	Li	173/48

OTHER PUBLICATIONS

Ingersoll Rand. D5140 ½" 20V Drill/Driver. Cordless Versatility. Electronic Brochure. Mar. 12, 2013 [online], [retrieved on Nov. 8, 2013]. Retrieved from the Internet <URL: http://www.ingersollrandproducts.com/lpg/w7150/DrillDriveFlyer_web.pdf>.*

(Continued)

Primary Examiner — Philip S Hyder
Assistant Examiner — Darlington Ly
(74) *Attorney, Agent, or Firm* — Barnes & Thornburg LLP

(57) **CLAIM**
The ornamental design for a drill driver tool, as shown and described.

DESCRIPTION

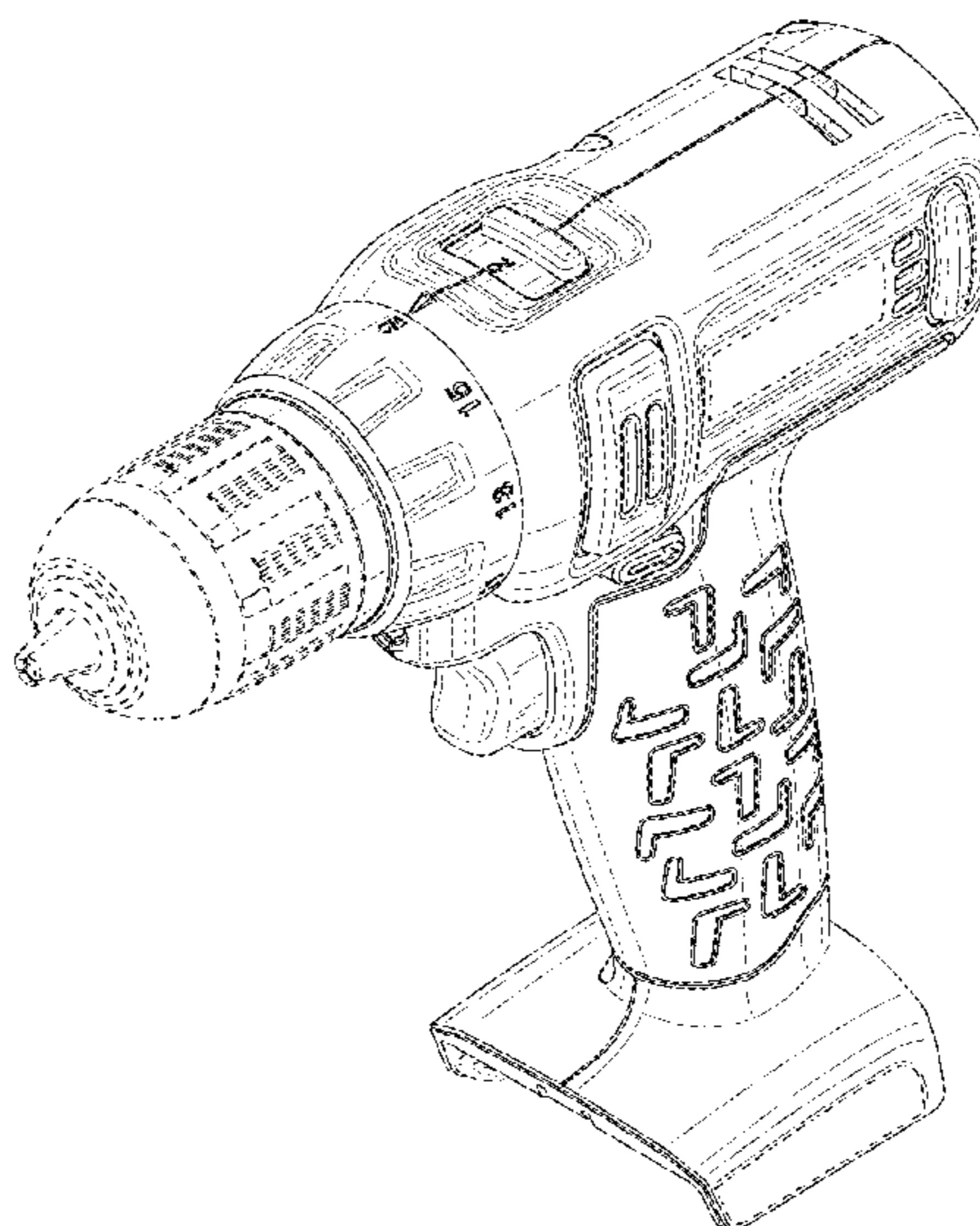
FIG. 1 is a front perspective view of a design of a drill driver tool;
FIG. 2 is a front elevation view of the drill driver tool of FIG. 1;
FIG. 3 is a rear elevation view of the drill driver tool of FIG. 1;
FIG. 4 is a right side elevation view of the drill driver tool of FIG. 1;
FIG. 5 is a left side elevation view of the drill driver tool of FIG. 1;
FIG. 6 is a top plan view of the drill driver tool of FIG. 1; and,
FIG. 7 is a bottom plan view of the drill driver tool of FIG. 1.
The broken lines shown in the drawings illustrate portions of the drill driver tool that form no part of the claimed design.

1 Claim, 7 Drawing Sheets

(56) **References Cited**

U.S. PATENT DOCUMENTS

D345,682	S *	4/1994	Sasaki et al.	D8/68
D476,544	S *	7/2003	Ghode et al.	D8/68
D484,384	S *	12/2003	Ghode et al.	D8/68
D520,835	S *	5/2006	Aglassinger	D8/68
D524,135	S *	7/2006	Happ et al.	D8/68
D532,666	S *	11/2006	Chi	D8/68
D571,177	S	6/2008	Price et al.		
D592,479	S	5/2009	Price et al.		
D605,486	S *	12/2009	Aglassinger	D8/68
D605,487	S *	12/2009	Aglassinger	D8/68
D676,730	S *	2/2013	Kubono et al.	D8/68
D677,136	S	3/2013	Davis		
D678,025	S *	3/2013	Naksen et al.	D8/68



(56)

References Cited

OTHER PUBLICATIONS

M12™ 1/4" Hex Impact Drive. Operator's Manual. Sep. 10, 2012 [online], [retrieved on Nov. 8, 2013]. Retrieved from the Internet <URL: <http://documents.milwaukeeetool.com/58-14-2450d7.pdf>>.*
Ingersoll-Rand Co., "IQV20 Series Cordless Tools," available at <http://www.ingersollrandproducts.com/am-en/products/tools/new-tools/IQV20-Cordless-Tools>, 2 pages.
Ingersoll-Rand Co., "D5140 1/2" 20V Drill/Driver," available at http://www.ingersollrandproducts.com/lpg/w7150/DrillDriveFlyer_web.pdf, 2 pages.
Dewalt Industrial Tool Co., "DCD710S2 12V MAX* 3/8" Drill Driver Kit," available at <http://www.dewalt.com/tools/cordless-drills-drilldrivers-dcd710s2.aspx>, 2 pages.
Stanley Black & Decker Inc., "20V MAX* Lithium Drill/Driver LDX120C," available at <http://www.blackanddecker.com/power-tools/LDX120C.aspx>, 3 pages.

Robert Bosch Tool Corp., "DDB180-02 18V Compact™ 3/8" Cordless Drill/Driver," available at <http://www.boschtools.com/Products/Tools/Pages/BoschProductDetail.aspx?pid=DDB180-02>, 2 pages.
Techway Industrial Co., "Spray Guns," available at www.asianproducts.com/mcg/5641_c612_0_1/spray-guns.html, 2 pages.
Techway Industrial Co., "19.2V Cordless (Hammer) Drill/Driver," available at [www.asianproducts.com/product/5641_P11825684362597949/19.2v-cordless-\(hammer\)-drill.html](http://www.asianproducts.com/product/5641_P11825684362597949/19.2v-cordless-(hammer)-drill.html), 2 pages.
Techway Industrial Co., "Techway Cordless Screwdriver M2670213," available at <http://www.assemblytools.com.cn/dianchilsd/4217.html>, 2 pages.
Techway Industrial Co., "Product Index—Mini Series," available at http://www.techway.com.tw/products/products_show.php?pid=249&cid=74, 2 pages.

* cited by examiner

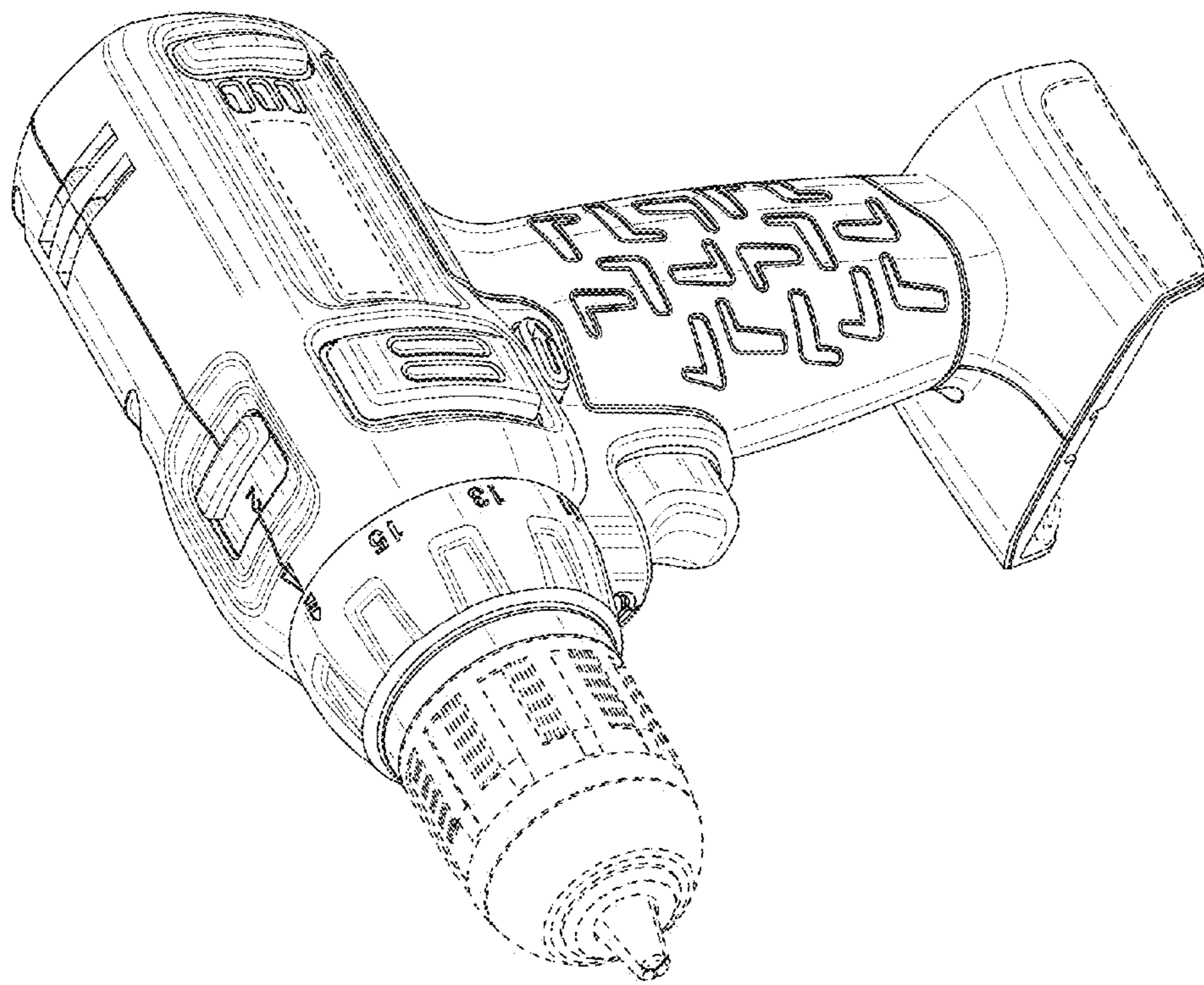


FIG. 1

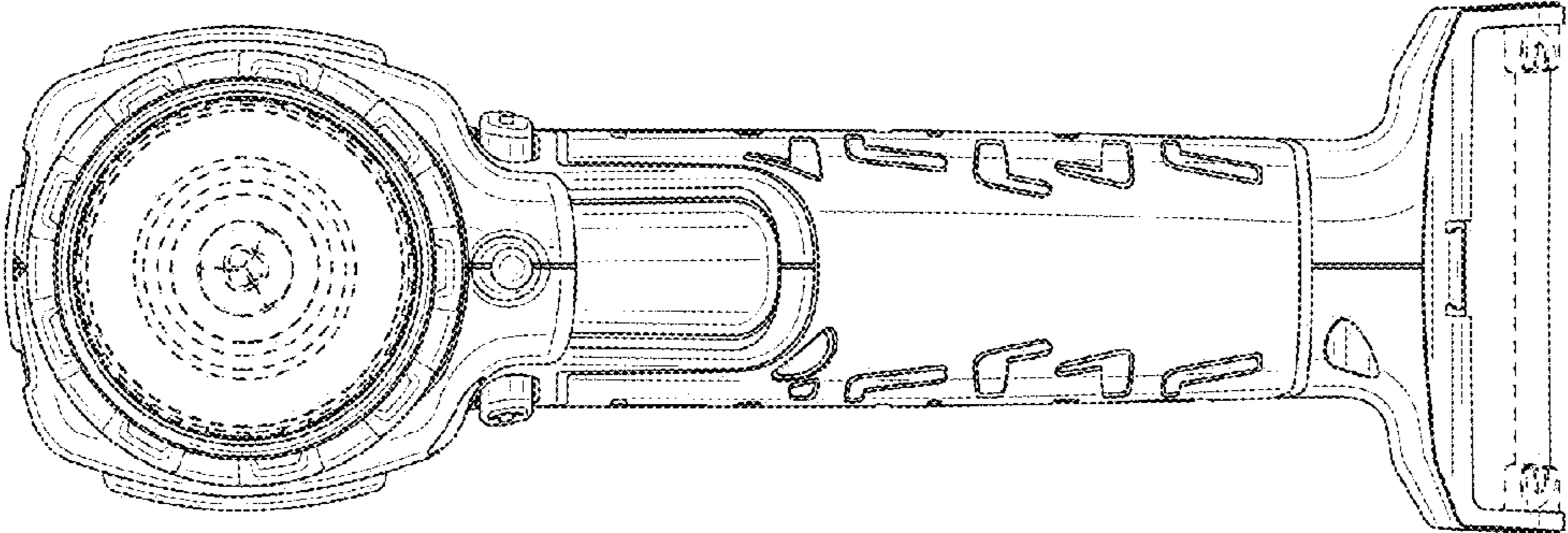


FIG. 2

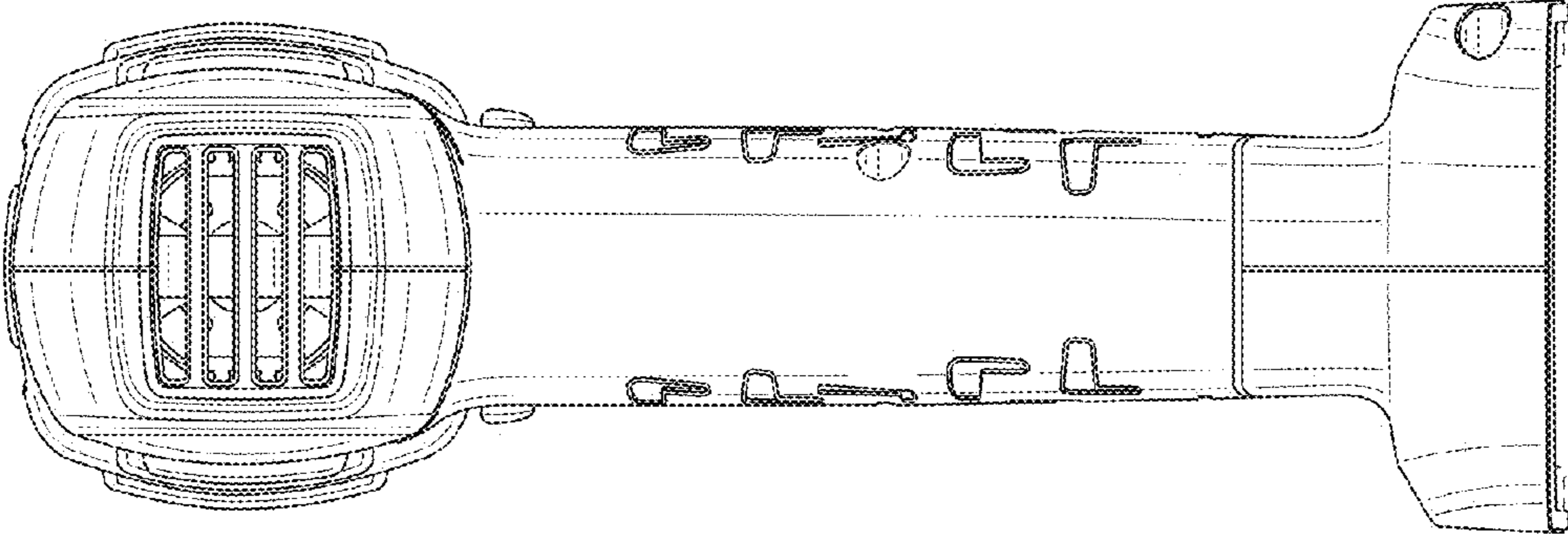


FIG. 3

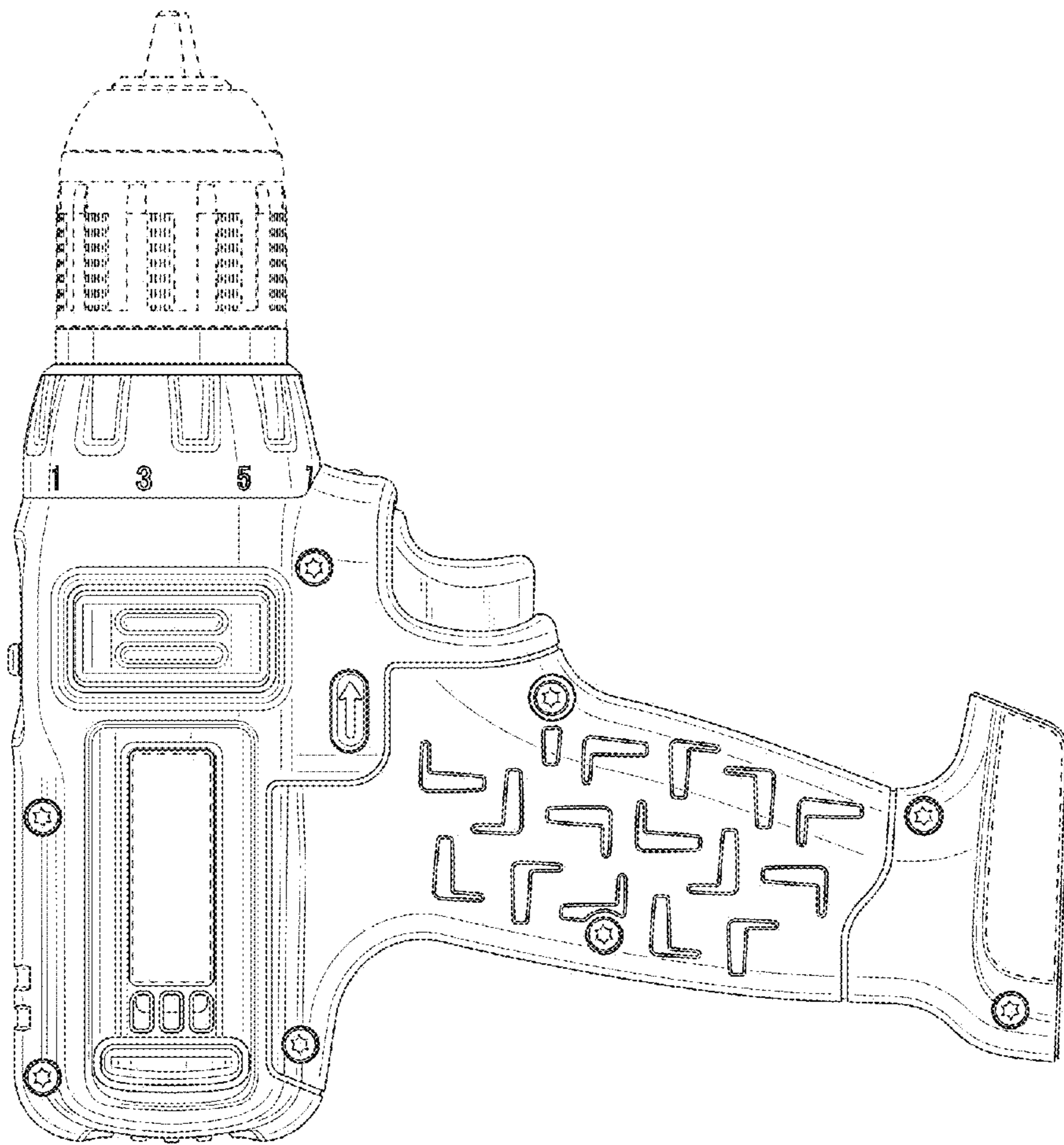


FIG. 4

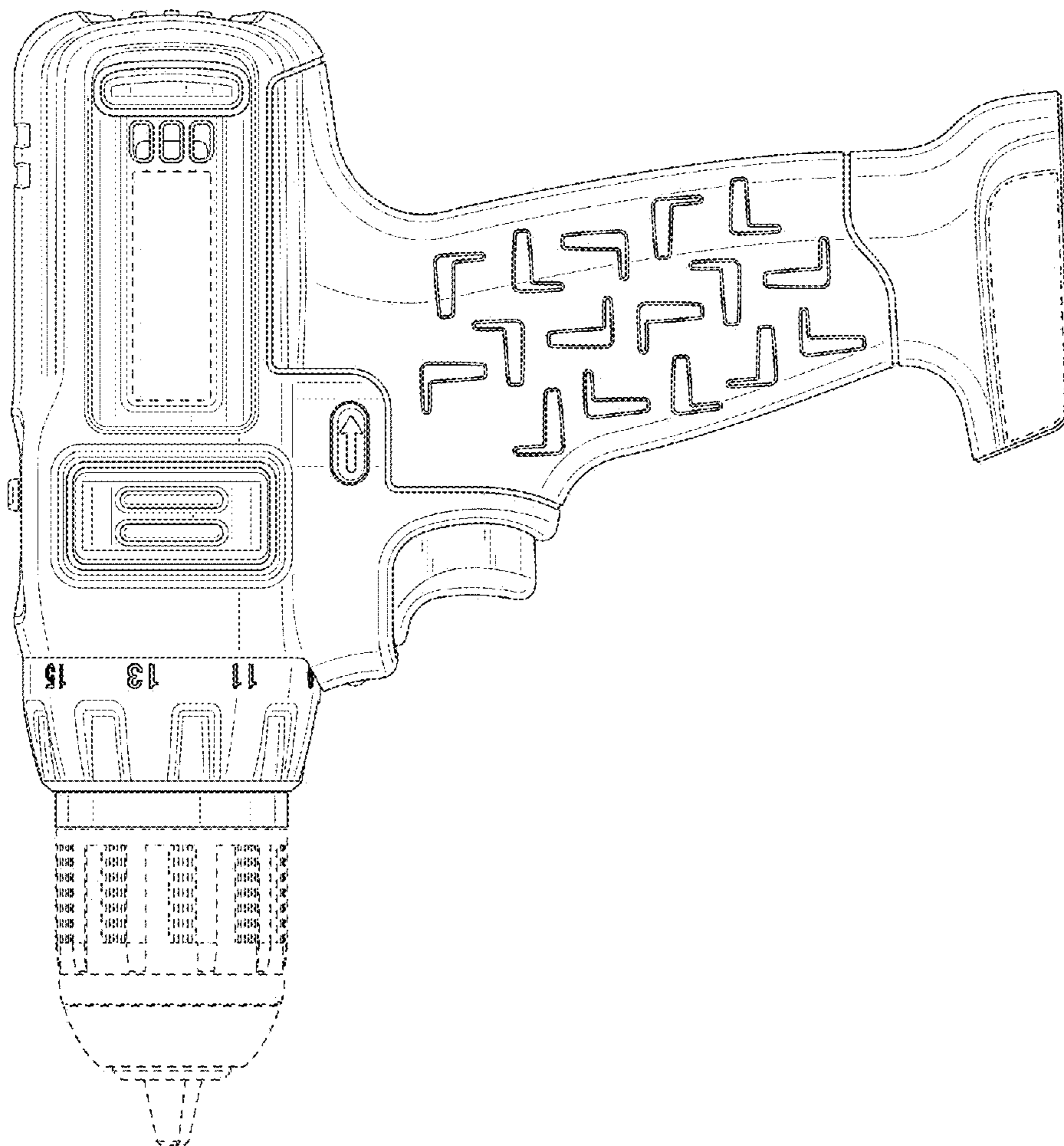


FIG. 5

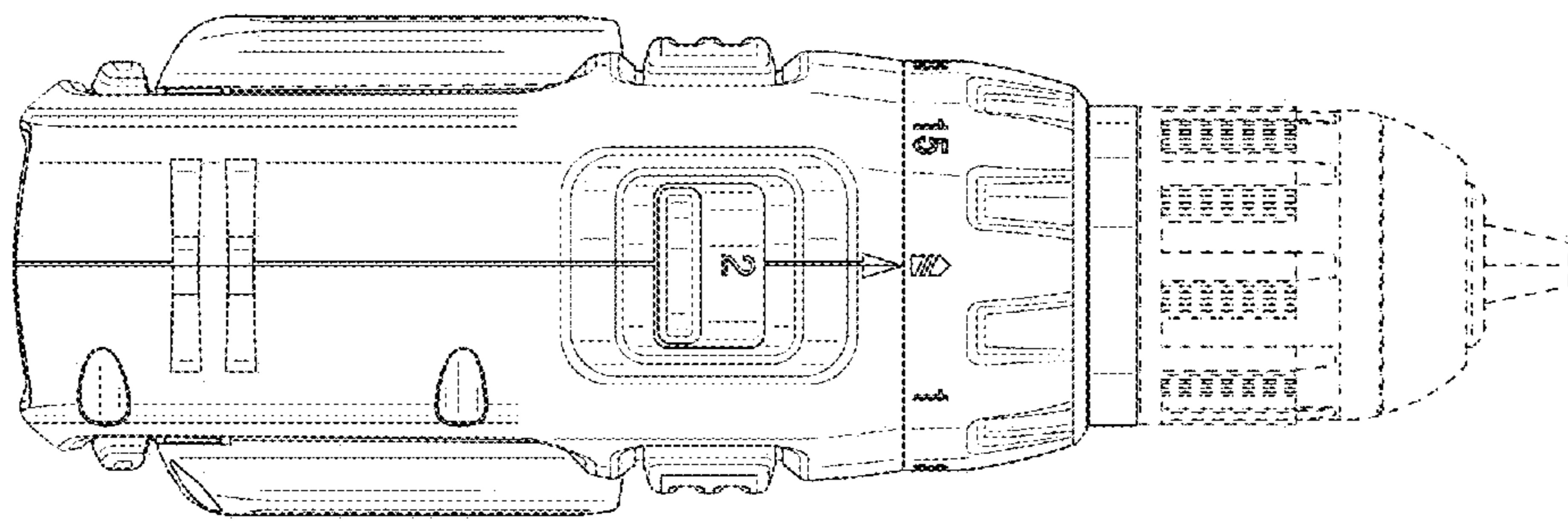


FIG. 6

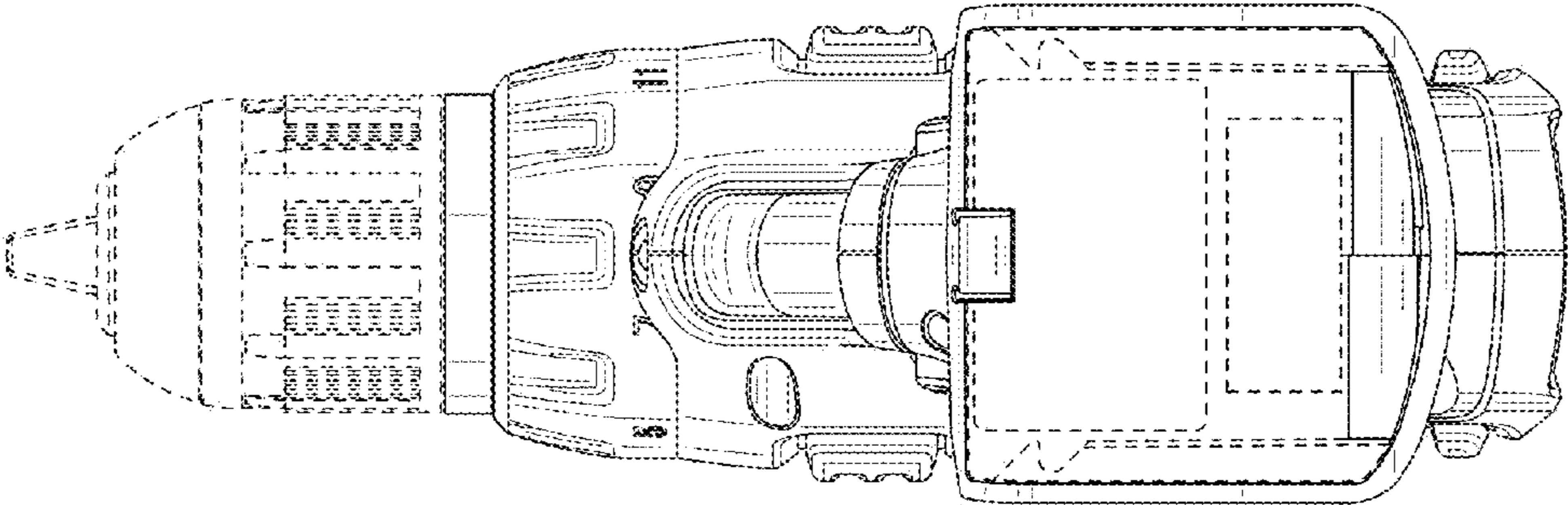


FIG. 7