



US00D707520S

(12) **United States Design Patent**
Aglassinger

(10) **Patent No.:** **US D707,520 S**
(45) **Date of Patent:** **** Jun. 24, 2014**

(54) **DRILL**

(71) Applicant: **Robert Bosch GmbH**, Stuttgart (DE)

(72) Inventor: **Hans-Peter Aglassinger**, Esslingen (DE)

(73) Assignee: **Robert Bosch GmbH**, Stuttgart (DE)

(**) Term: **14 Years**

(21) Appl. No.: **29/437,859**

(22) Filed: **Nov. 21, 2012**

(30) **Foreign Application Priority Data**

May 25, 2012 (EM) 002047530

(51) **LOC (10) Cl.** **08-04**

(52) **U.S. Cl.**
USPC **D8/68**

(58) **Field of Classification Search**

USPC D8/14.1, 61-70; 81/429, 454-456, 469,
81/489; 173/104, 114, 168-171, 178, 201,
173/211, 213, 217; 408/20, 124, 125, 234;
388/809

See application file for complete search history.

(56) **References Cited**

U.S. PATENT DOCUMENTS

D342,878 S *	1/1994	Watanabe et al.	D8/68
D343,105 S *	1/1994	Shibata et al.	D8/68
D406,741 S *	3/1999	Zurwelle	D8/68
D466,779 S *	12/2002	Shibata et al.	D8/68
D527,969 S *	9/2006	Okada et al.	D8/68
D540,135 S *	4/2007	Okuda	D8/68
D567,614 S *	4/2008	Okuda	D8/68
D592,478 S *	5/2009	Wright	D8/68
D617,168 S *	6/2010	Yamamoto et al.	D8/68

D631,721 S *	2/2011	Aglassinger	D8/67
2006/0291966 A1 *	12/2006	Klemm et al.	408/124
2007/0125565 A1 *	6/2007	Etter et al.	173/170
2009/0056967 A1 *	3/2009	Sell et al.	173/205

OTHER PUBLICATIONS

Hammer & Hammer Drill: Tools & Accessories. Electronic Catalogue. Jan. 24, 2008 [online], [retrieved on Oct. 30, 2013]. Retrieved from the Internet <URL: <http://www.visitrentalworks.com/files/itemtips58.pdf>>.*

* cited by examiner

Primary Examiner — Philip S Hyder

Assistant Examiner — Darlington Ly

(74) *Attorney, Agent, or Firm* — Maginot, Moore & Beck

(57) **CLAIM**

The ornamental design for a drill, as shown and described.

DESCRIPTION

FIG. 1 is a perspective view of a drill showing my new design; FIG. 2 is right side elevational view showing the design for the drill of FIG. 1;

FIG. 3 is a left side elevational view showing the design for the drill of FIG. 1;

FIG. 4 is a front elevational view showing the design for the drill of FIG. 1;

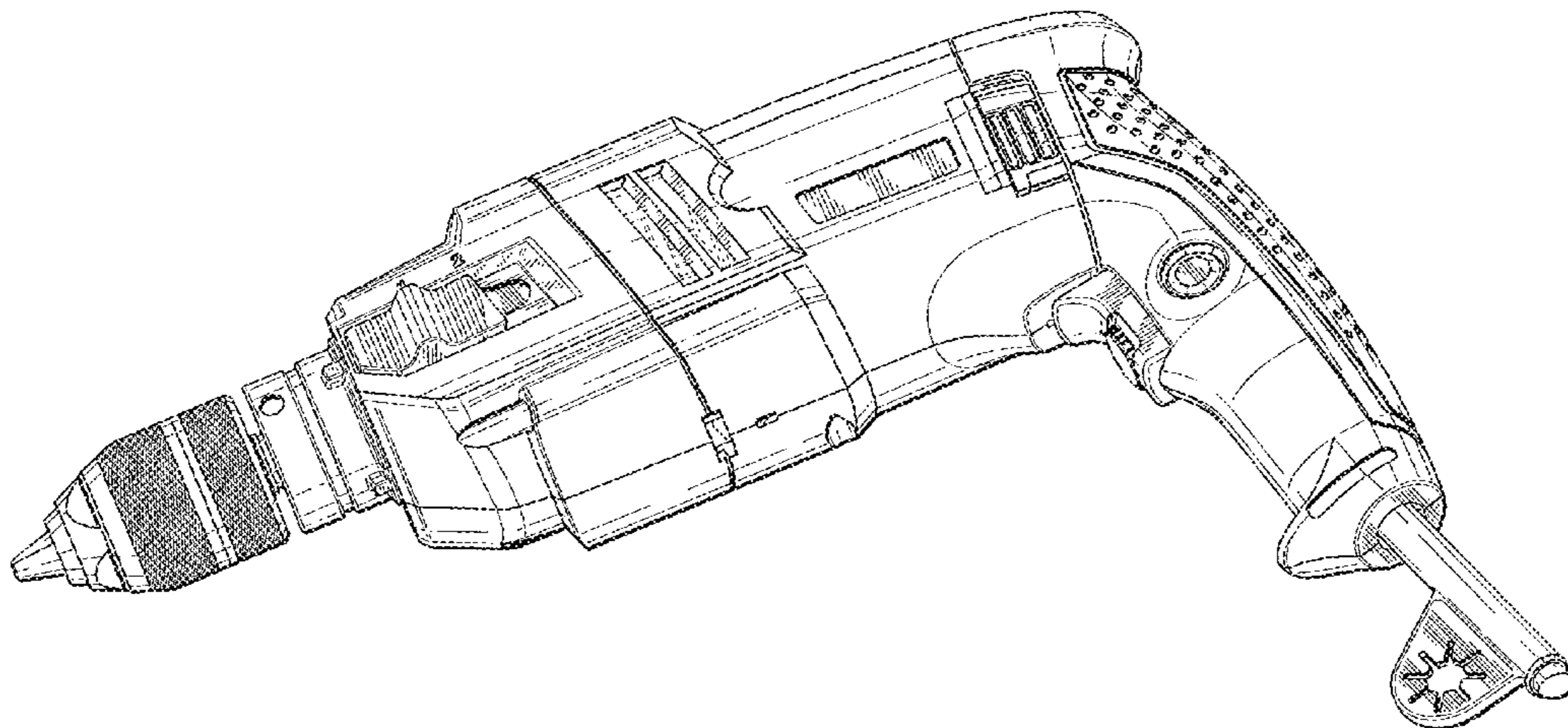
FIG. 5 is a rear elevational view showing the design for the drill of FIG. 1;

FIG. 6 is a top plan view showing the design for the drill of FIG. 1; and,

FIG. 7 is a bottom plan view showing the design for the drill of FIG. 1.

The broken lines shown in the drawings illustrate portions of the drill that form no part of the claimed design.

1 Claim, 7 Drawing Sheets



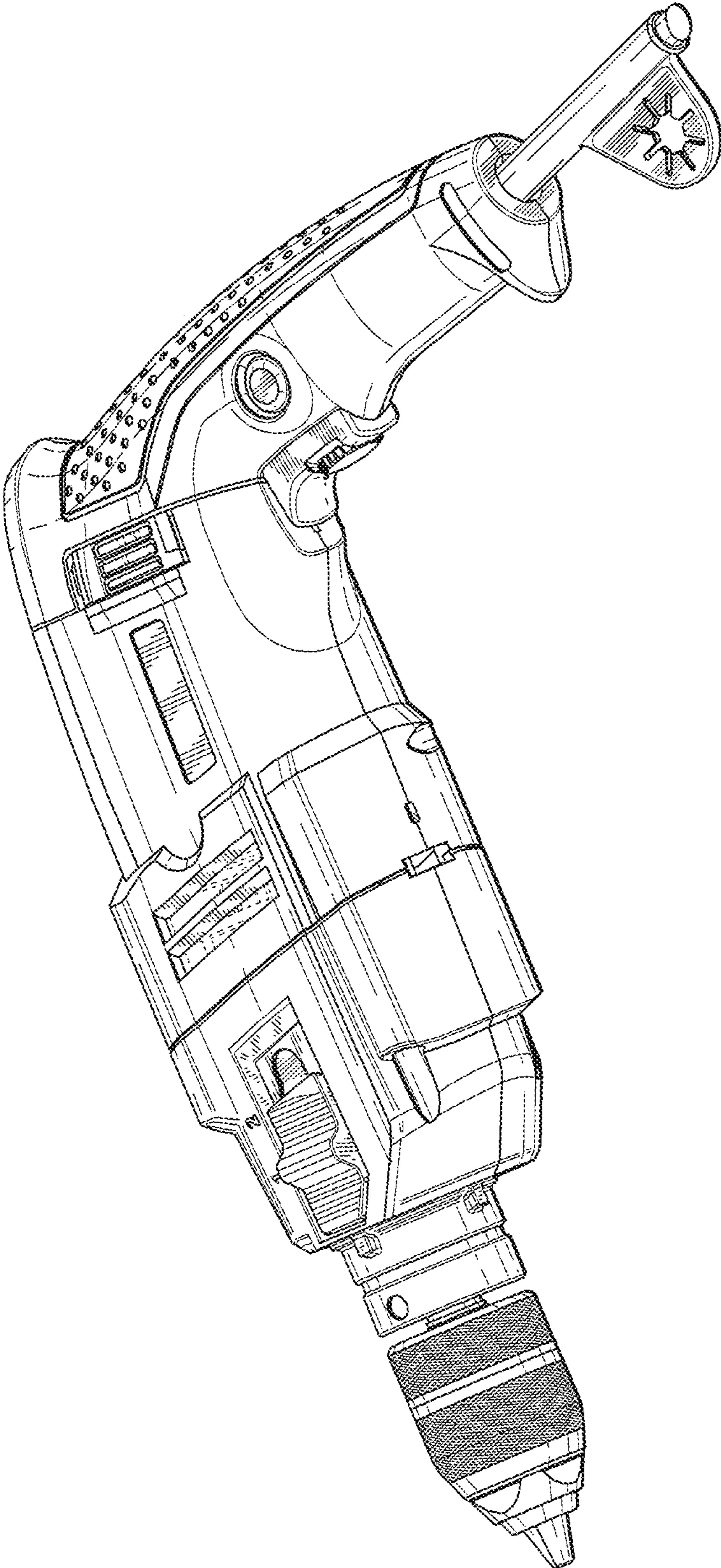


Fig.1

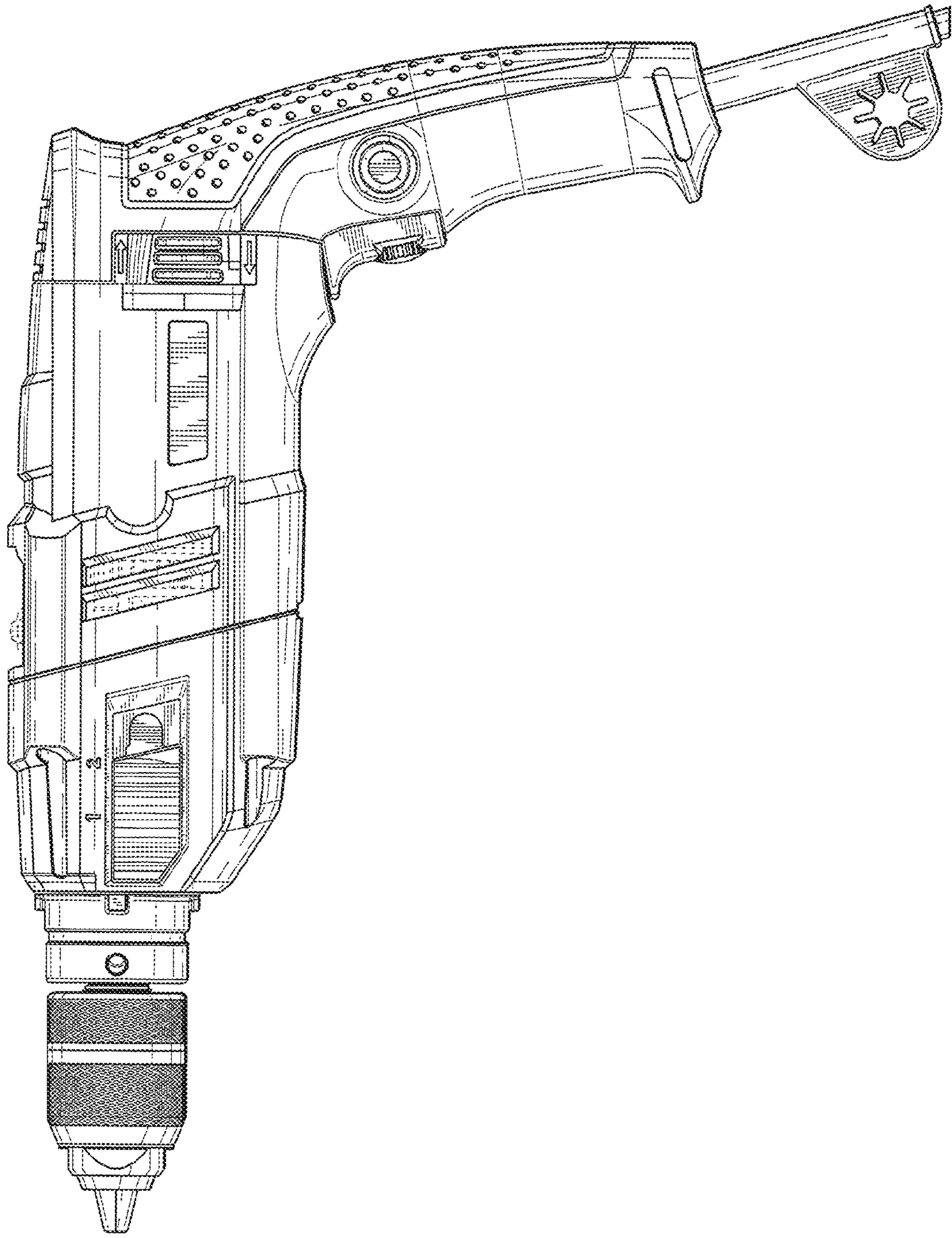


Fig. 2

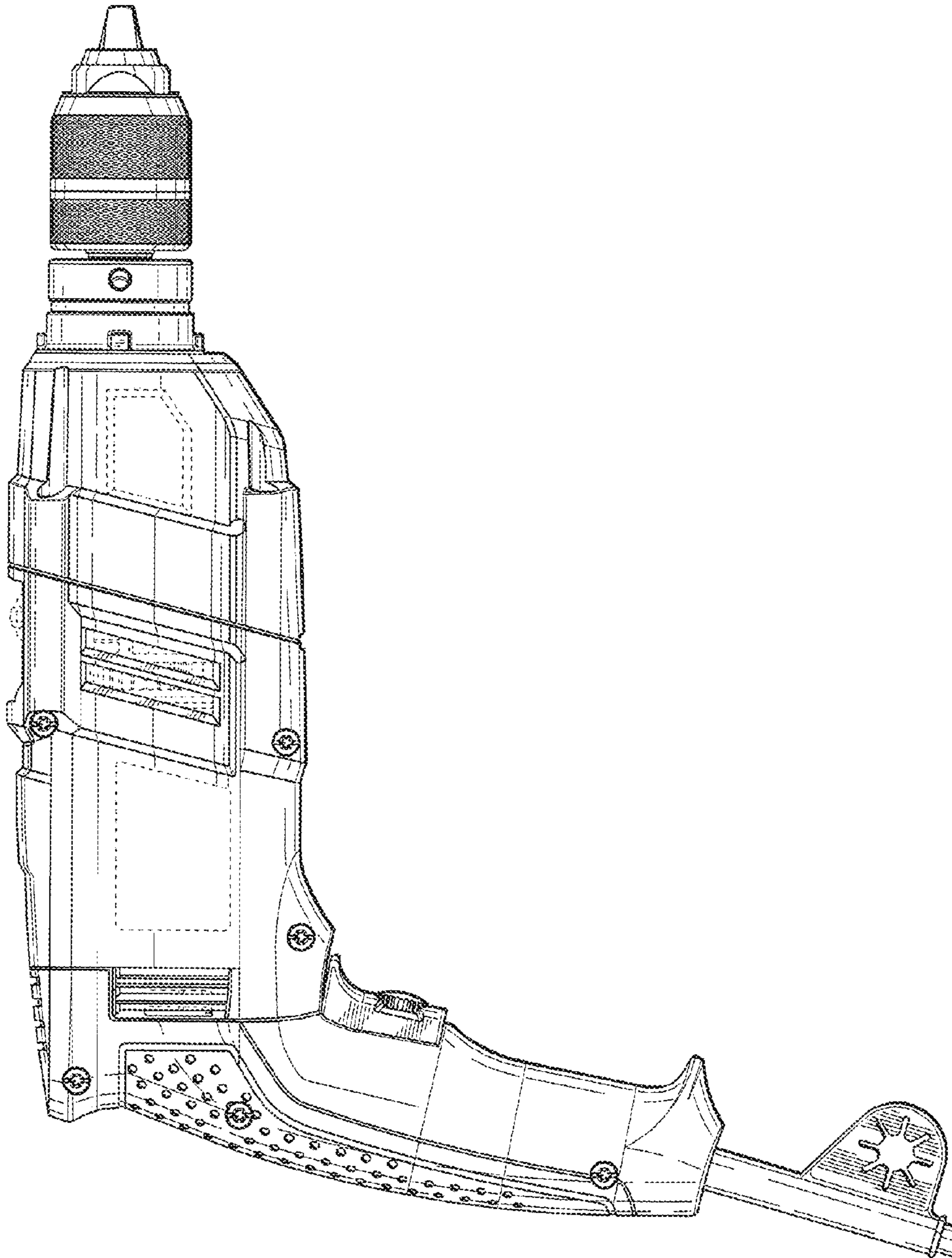


Fig. 3

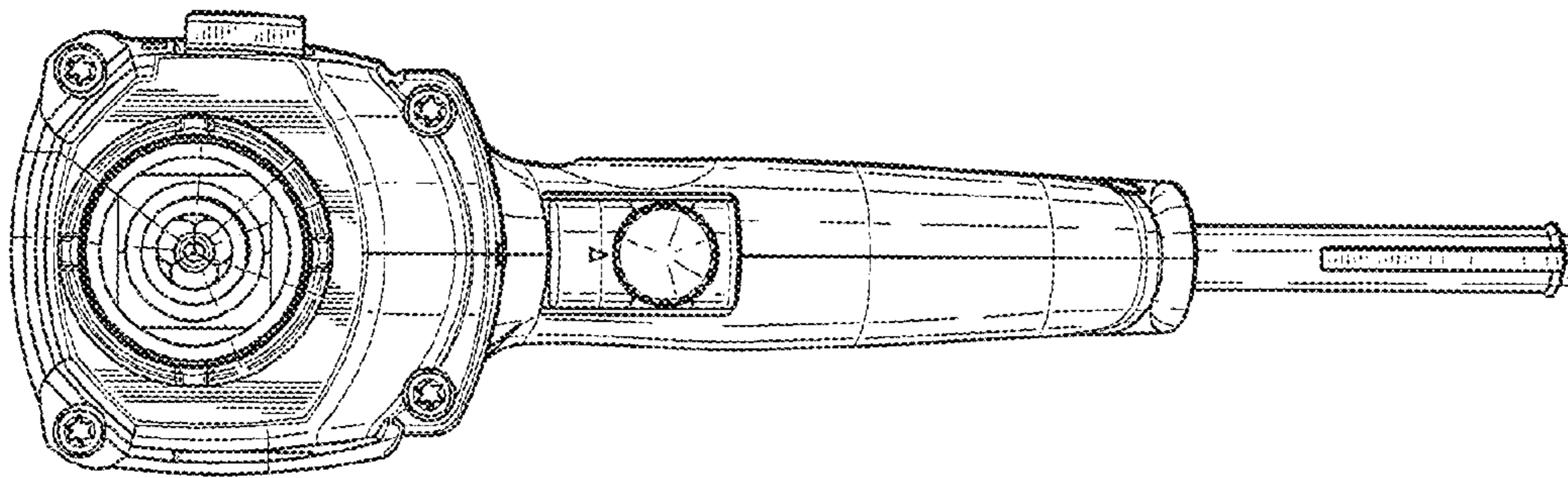


Fig.4

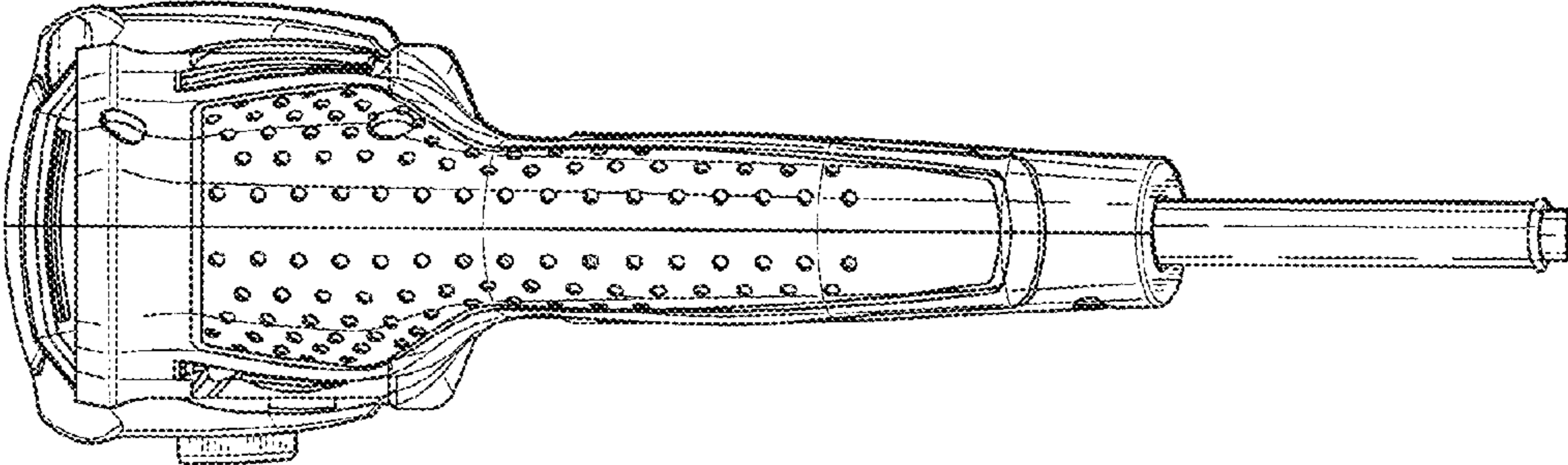


Fig. 5

Fig. 6

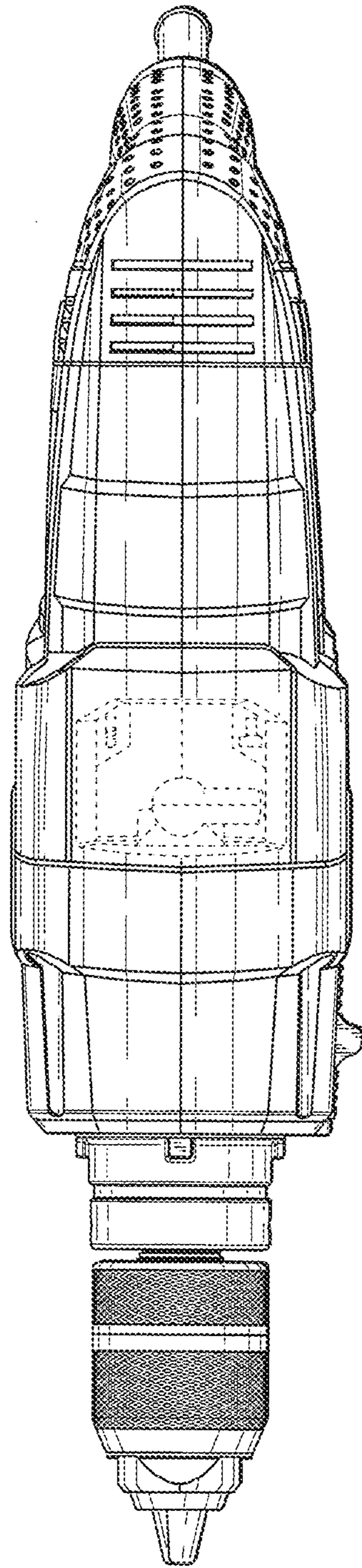


Fig. 7

