



US00D707519S

(12) **United States Design Patent**
Masugata

(10) **Patent No.:** **US D707,519 S**
(45) **Date of Patent:** **** Jun. 24, 2014**

(54) **RIVET TOOL**

(71) Applicant: **Newfrey LLC**, Newark, DE (US)

(72) Inventor: **Hiroyuki Masugata**, Toyohashi (JP)

(73) Assignee: **Newfrey LLC**, Newark, DE (US)

(**) Term: **14 Years**

(21) Appl. No.: **29/437,201**

(22) Filed: **Nov. 14, 2012**

(30) **Foreign Application Priority Data**

May 21, 2012 (JP) 2012-11813

(51) **LOC (10) CL.** **08-03**

(52) **U.S. CL.**
USPC **D8/68**

(58) **Field of Classification Search**
USPC D8/61, 68; 173/46, 132, 170, 171, 178,
173/217; 408/67, 117, 124, 125; 475/149;
29/243.526; 72/114, 391.8
See application file for complete search history.

(56) **References Cited**

U.S. PATENT DOCUMENTS

D256,658 S * 9/1980 Ewig D8/61
5,100,023 A * 3/1992 Varian et al. 221/239
6,732,563 B1 * 5/2004 Chen 72/391.8

6,978,526 B1 * 12/2005 Lin 29/243.525
D515,377 S * 2/2006 Chung et al. D8/68
D521,339 S * 5/2006 Chen D8/68
D521,340 S * 5/2006 Lin D8/68
7,082,657 B1 * 8/2006 Lin 29/243.525
7,284,404 B2 * 10/2007 Lin 72/114
7,818,858 B2 * 10/2010 Daniels et al. 29/243.51
D681,413 S * 5/2013 Kita D8/68
8,443,512 B2 * 5/2013 Masugata 29/715

* cited by examiner

Primary Examiner — Philip S Hyder

Assistant Examiner — Darlington Ly

(74) *Attorney, Agent, or Firm* — Kofi Schulterbrandt;
Michael P. Leary

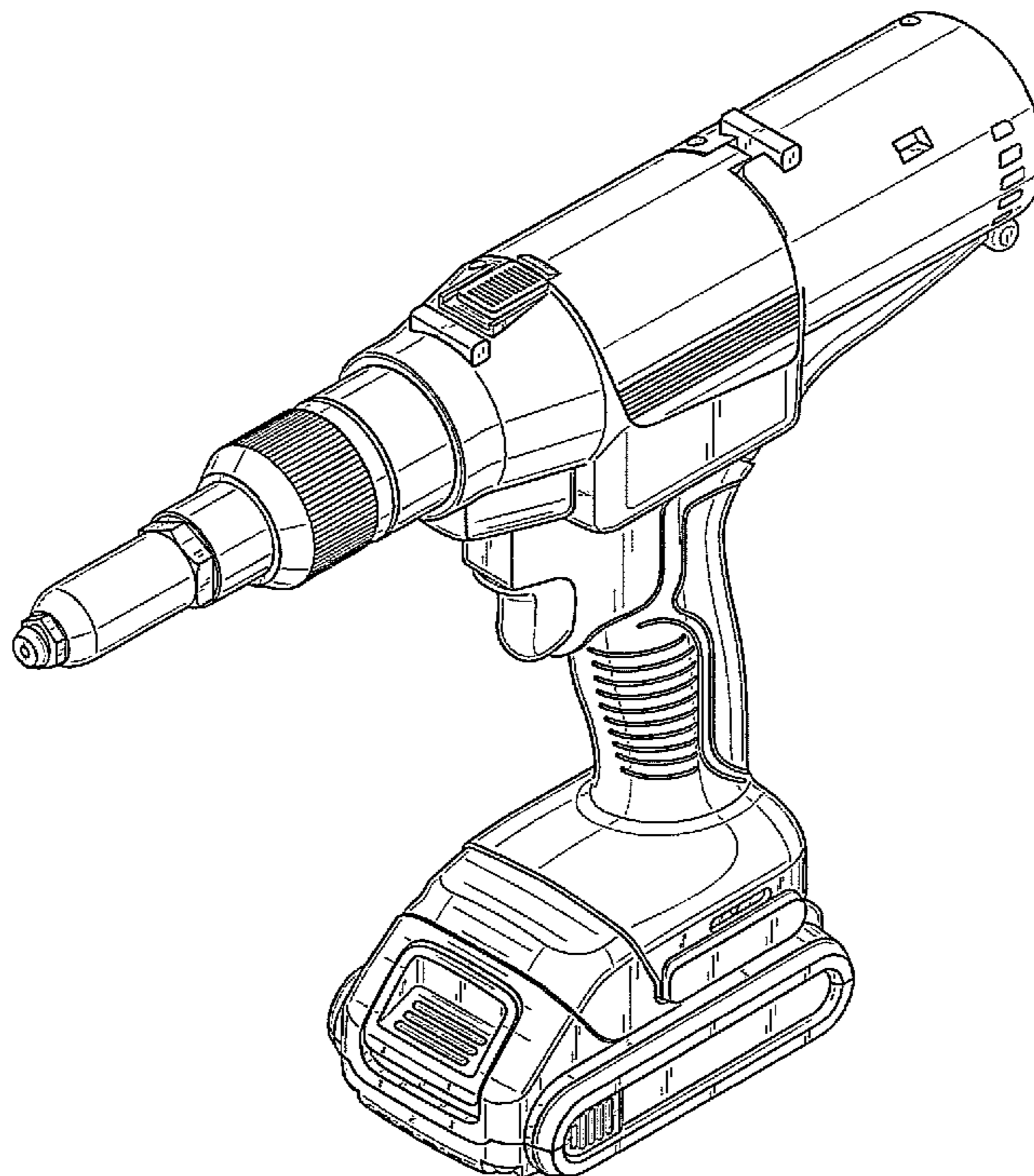
(57) **CLAIM**

The ornamental design for a rivet tool, as shown and described.

DESCRIPTION

FIG. 1 is a front perspective side view of a rivet tool according to the present invention;
FIG. 2 is a front view thereof;
FIG. 3 is a rear view thereof;
FIG. 4 is a right side view thereof;
FIG. 5 is a left side view thereof;
FIG. 6 is a top view thereof; and,
FIG. 7 is a bottom view thereof.
The broken lines shown in the drawings illustrate portions of the rivet tool that forms no part of claimed design.

1 Claim, 5 Drawing Sheets



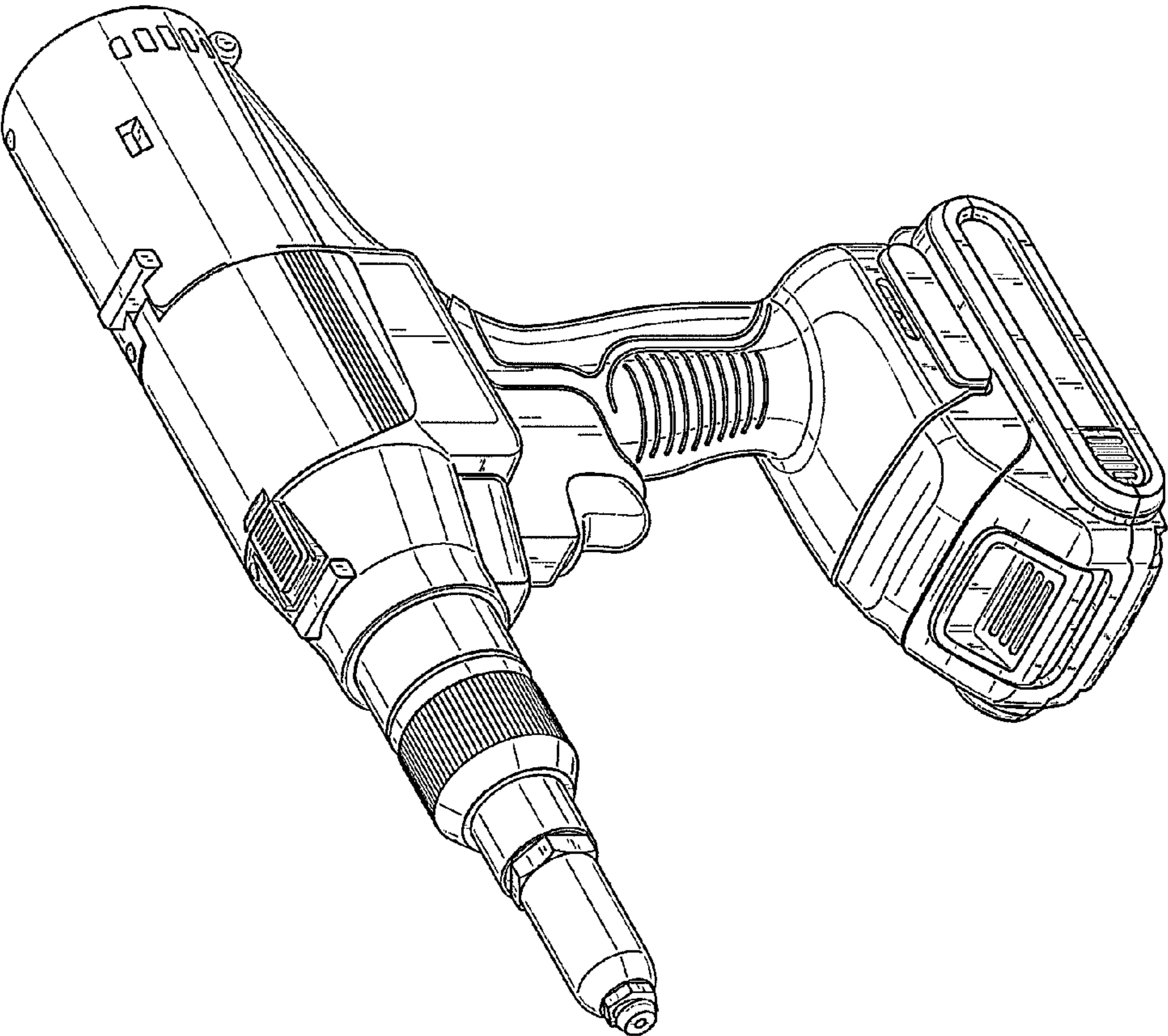


FIG. 1

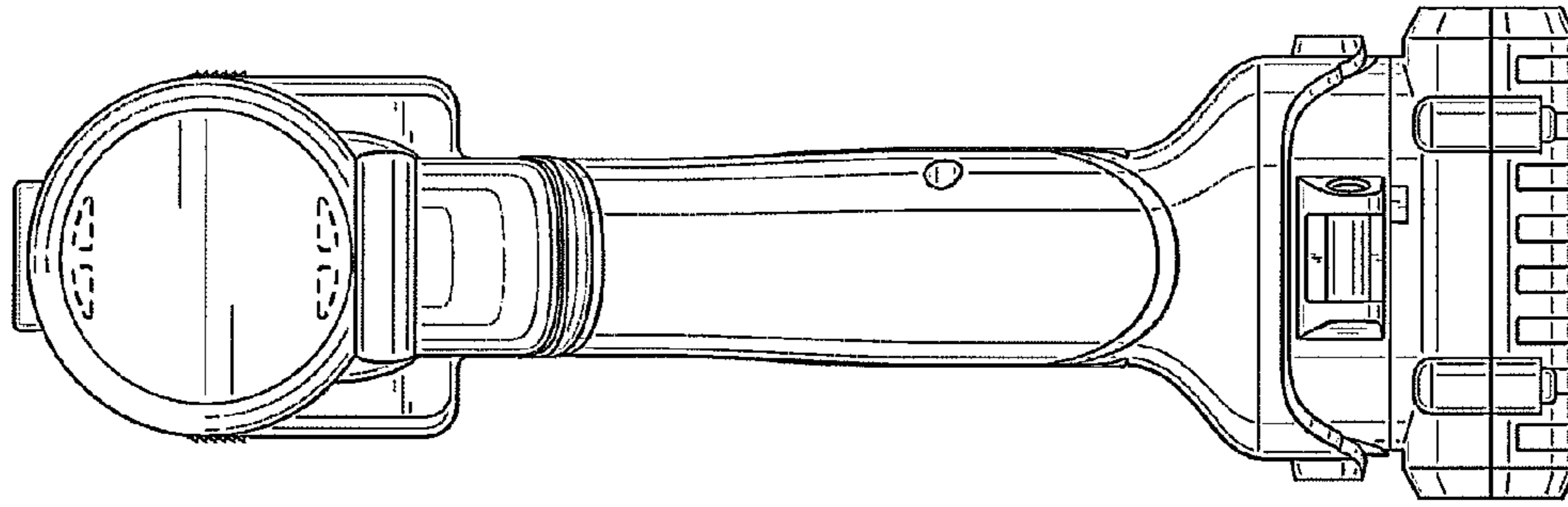


FIG. 3

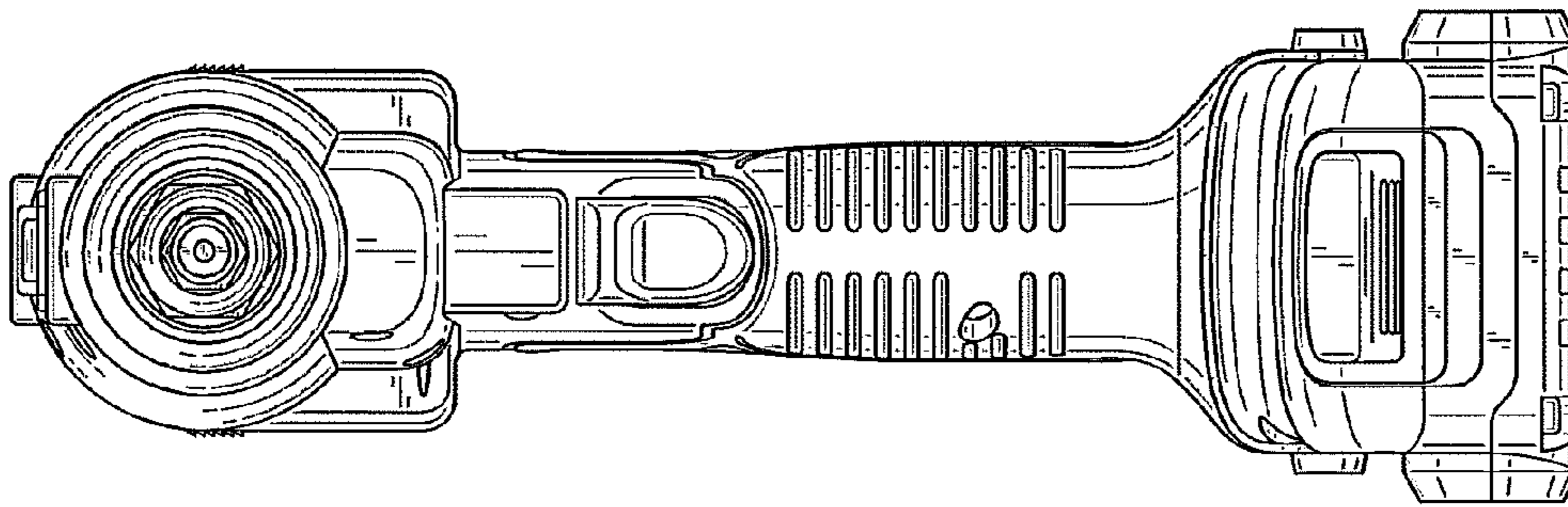


FIG. 2

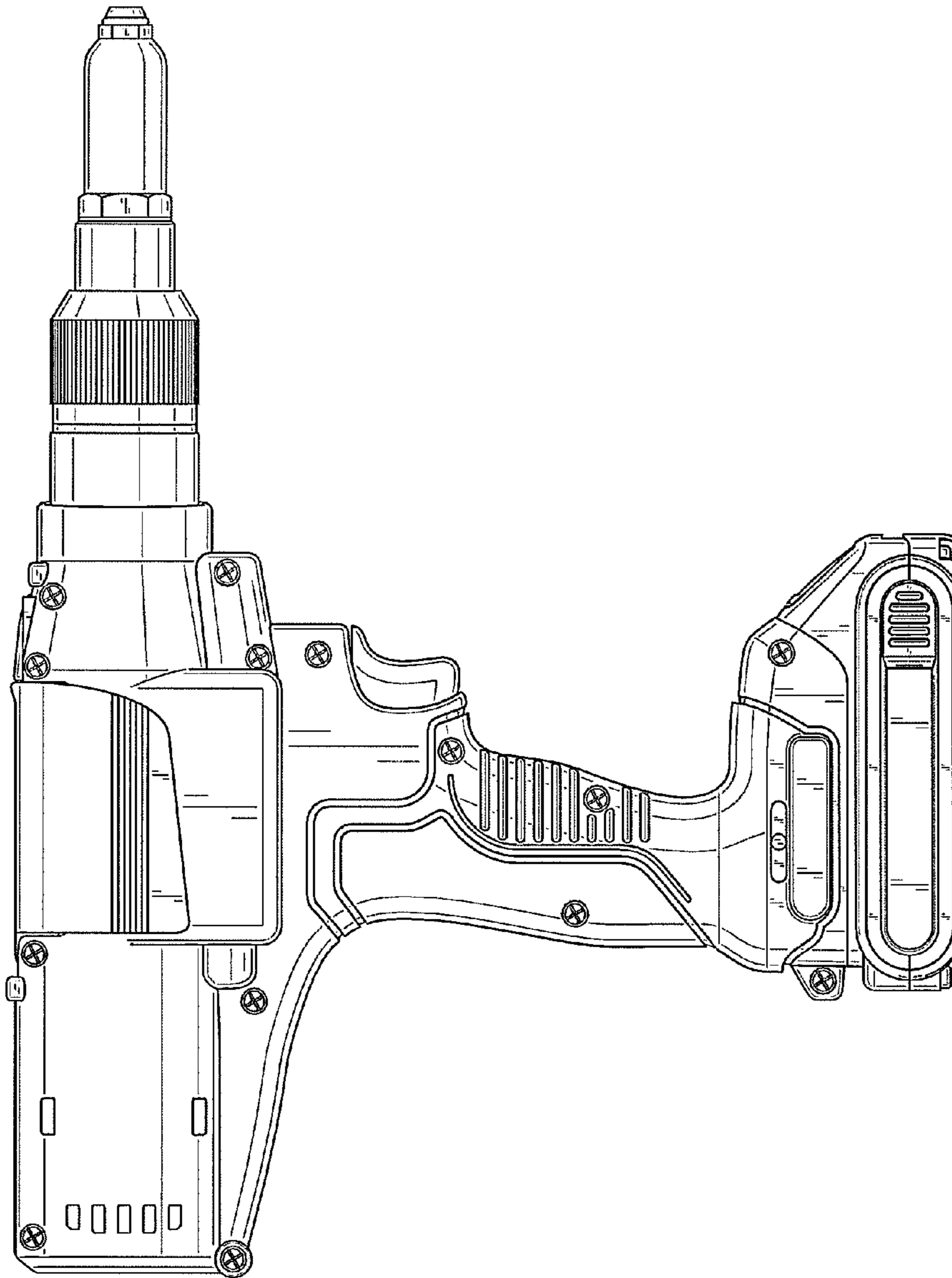


FIG. 4

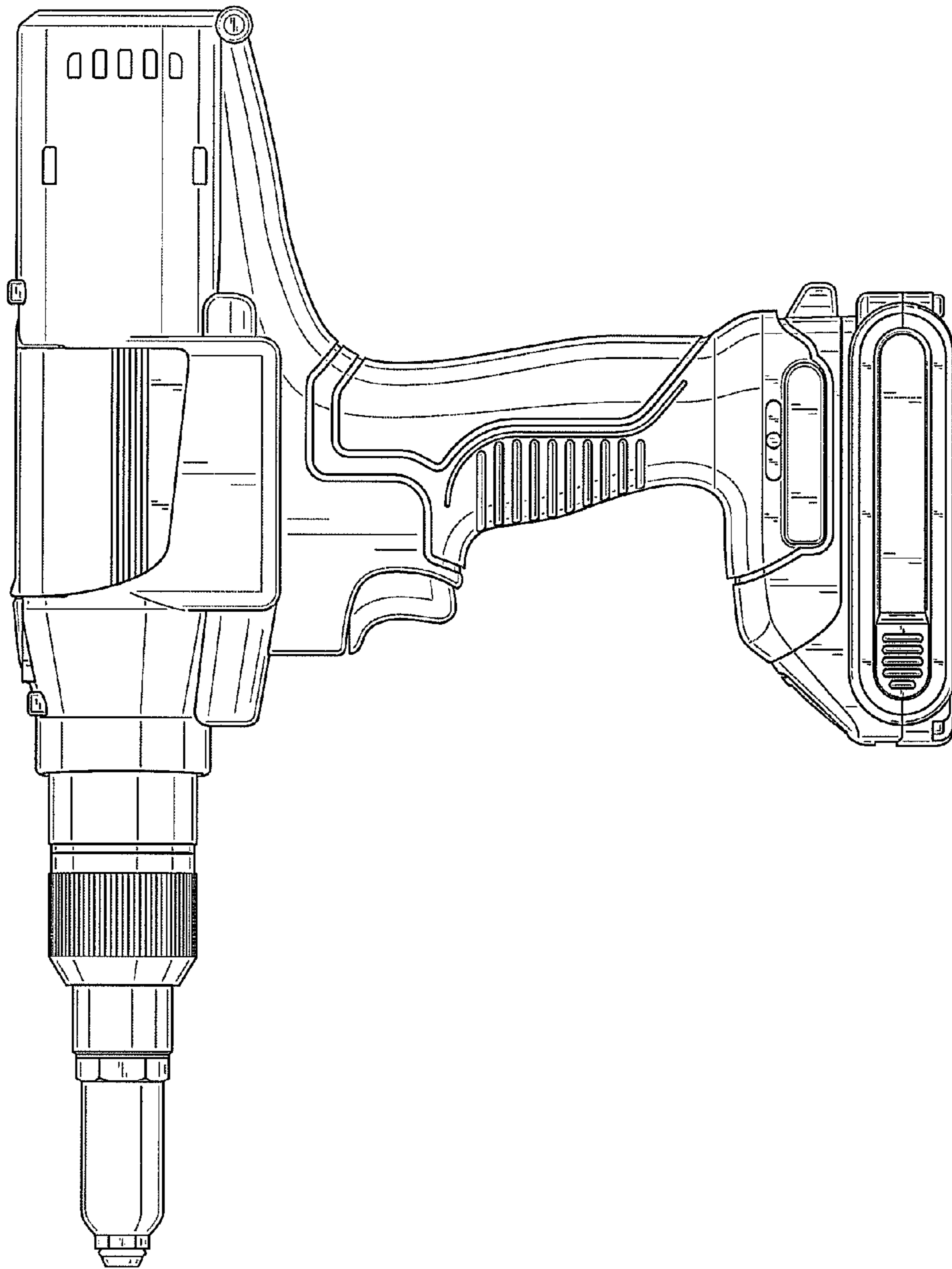


FIG. 5

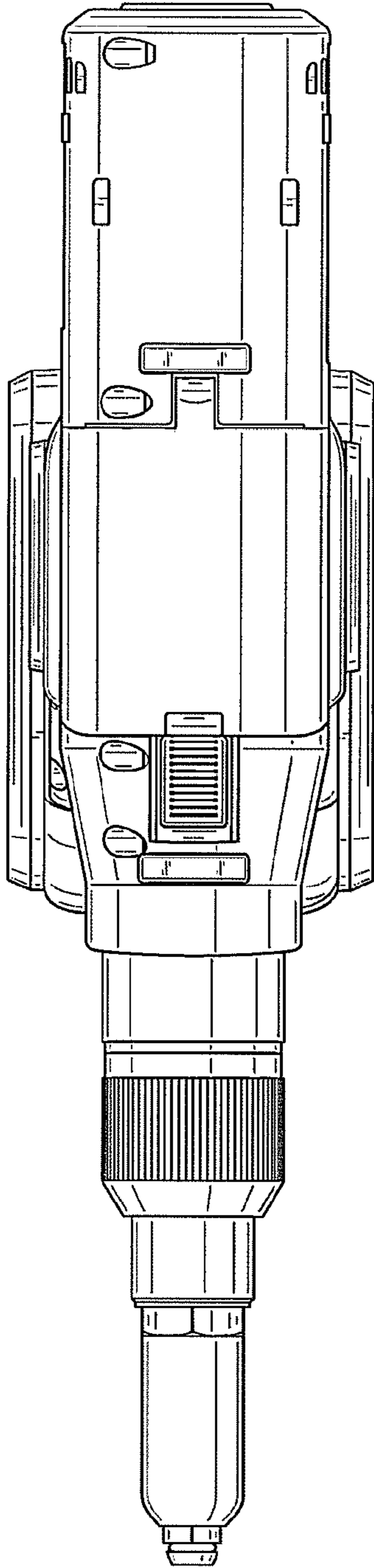


FIG. 6

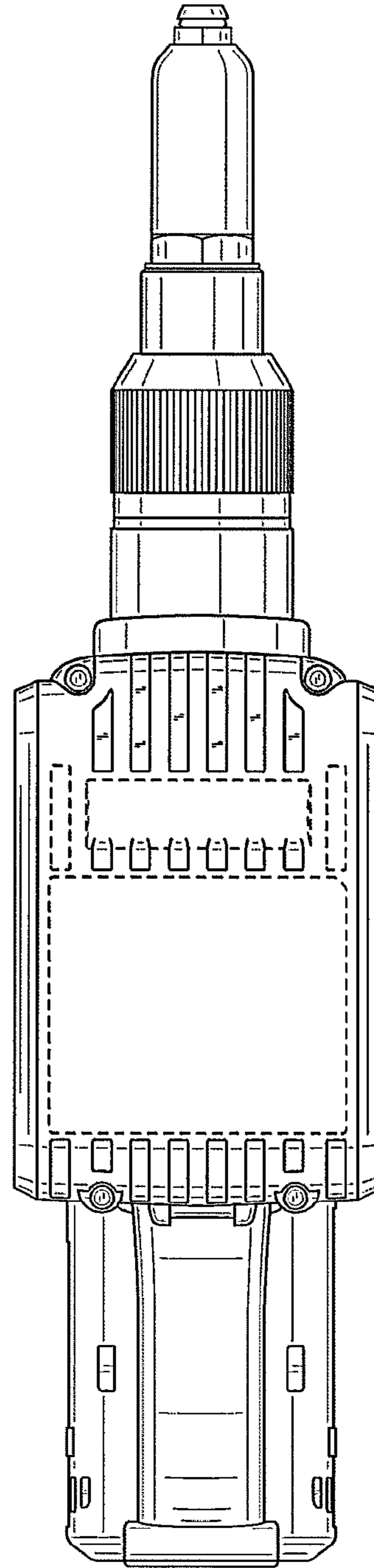


FIG. 7