



US00D707516S

(12) **United States Design Patent**  
**Aglassinger**

(10) **Patent No.:** **US D707,516 S**  
(45) **Date of Patent:** **\*\* Jun. 24, 2014**

- (54) **ANGLE GRINDER**
- (71) Applicant: **Robert Bosch GmbH**, Stuttgart (DE)
- (72) Inventor: **Hans-Peter Aglassinger**, Esslingen (DE)
- (73) Assignee: **Robert Bosch GmbH**, Stuttgart (DE)
- (\*\*) Term: **14 Years**
- (21) Appl. No.: **29/452,003**
- (22) Filed: **Apr. 10, 2013**

- (30) **Foreign Application Priority Data**  
Oct. 11, 2012 (EM) ..... 002117242
- (51) **LOC (10) Cl.** ..... **08-03**
- (52) **U.S. Cl.**  
USPC ..... **D8/62**
- (58) **Field of Classification Search**  
USPC ..... D8/69, 68, 67, 66, 64, 61, 70;  
83/698.41, 747, 166.3, 374, 373, 375,  
83/376, 391, 377, 390, 388, 389;  
125/13.01; 144/218; D21/532  
See application file for complete search history.

- (56) **References Cited**  
U.S. PATENT DOCUMENTS  
D351,772 S \* 10/1994 Price ..... D8/62  
D408,244 S \* 4/1999 Price ..... D8/62  
D453,098 S \* 1/2002 Pretzell ..... D8/62  
D479,969 S \* 9/2003 Robson et al. .... D8/62  
D491,033 S \* 6/2004 Bian ..... D8/62  
D511,285 S \* 11/2005 Henssler et al. .... D8/62

- D522,826 S \* 6/2006 Aglassinger ..... D8/62
- D528,389 S \* 9/2006 Wu ..... D8/62
- D544,326 S \* 6/2007 Sterpka et al. .... D8/62
- D593,826 S \* 6/2009 Aglassinger ..... D8/62
- D637,055 S \* 5/2011 Schomisch ..... D8/62
- D637,056 S \* 5/2011 Schomisch ..... D8/62
- D637,057 S \* 5/2011 Schomisch ..... D8/62
- D685,241 S \* 7/2013 Waldron ..... D8/62

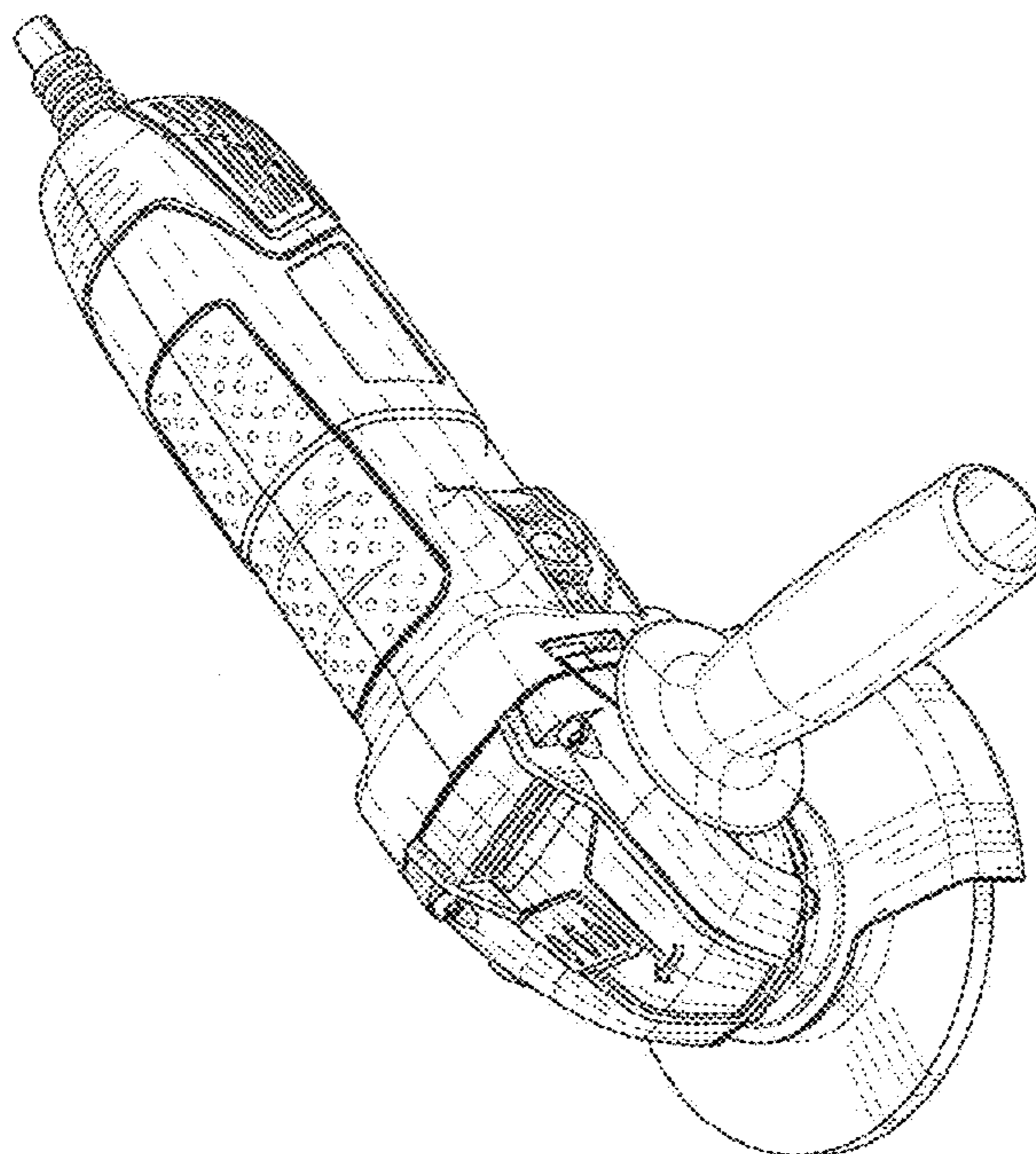
\* cited by examiner  
*Primary Examiner* — Austin Murphy  
(74) *Attorney, Agent, or Firm* — Maginot, Moore & Beck

(57) **CLAIM**  
The ornamental design for an angle grinder, as shown and described.

**DESCRIPTION**

FIG. 1 is a perspective view of an angle grinder showing my new design;  
FIG. 2 is a right side elevational view showing the design for the angle grinder of FIG. 1;  
FIG. 3 is a rear elevational view showing the design for the angle grinder of FIG. 1;  
FIG. 4 is a left side elevational view showing the design for the angle grinder of FIG. 1;  
FIG. 5 is a front elevational view showing the design for the angle grinder of FIG. 1;  
FIG. 6 is a top elevational view showing the design for the angle grinder of FIG. 1; and,  
FIG. 7 is a bottom elevational view showing the design for the angle grinder of FIG. 1.

**1 Claim, 7 Drawing Sheets**



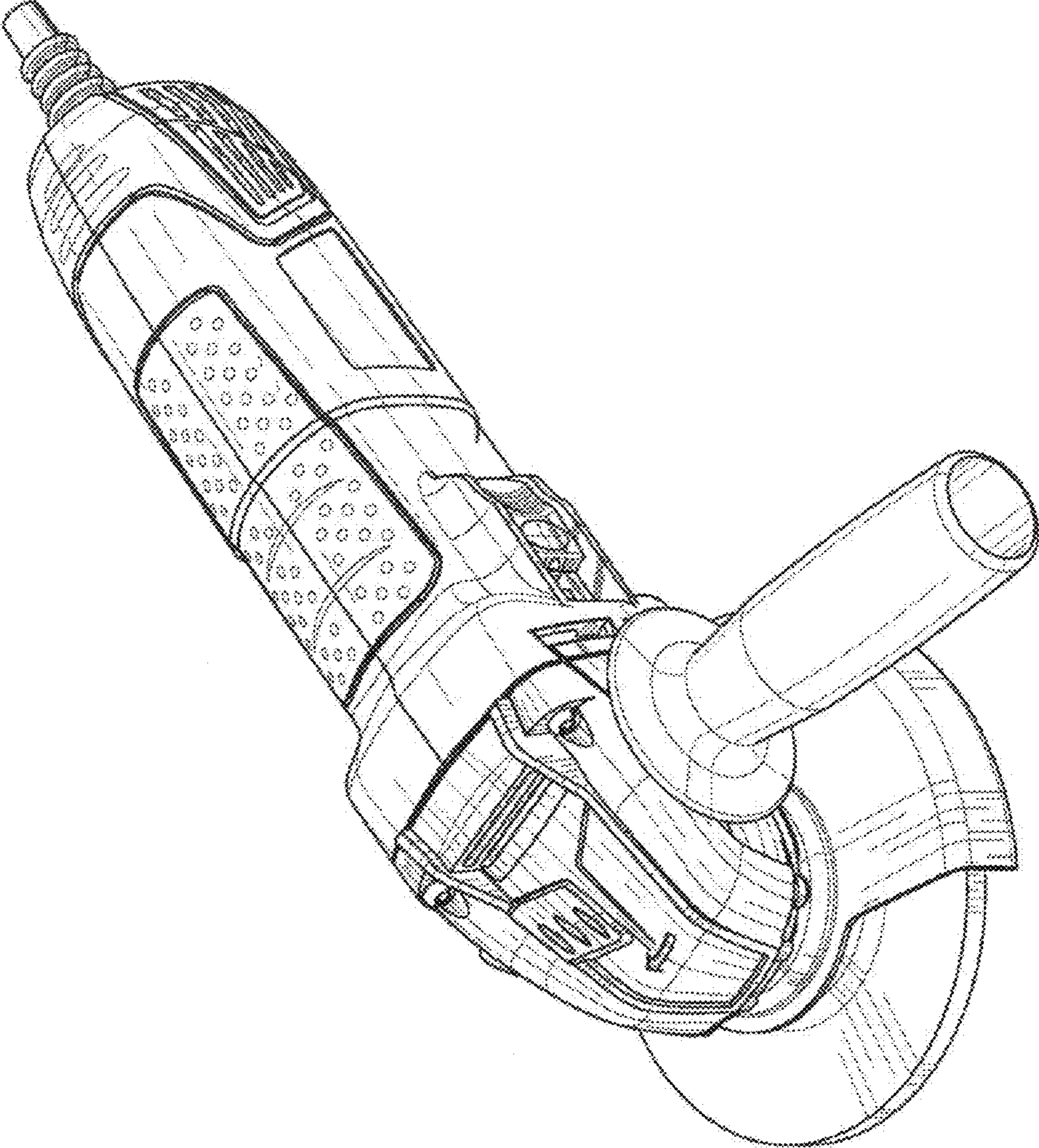


FIG. 1



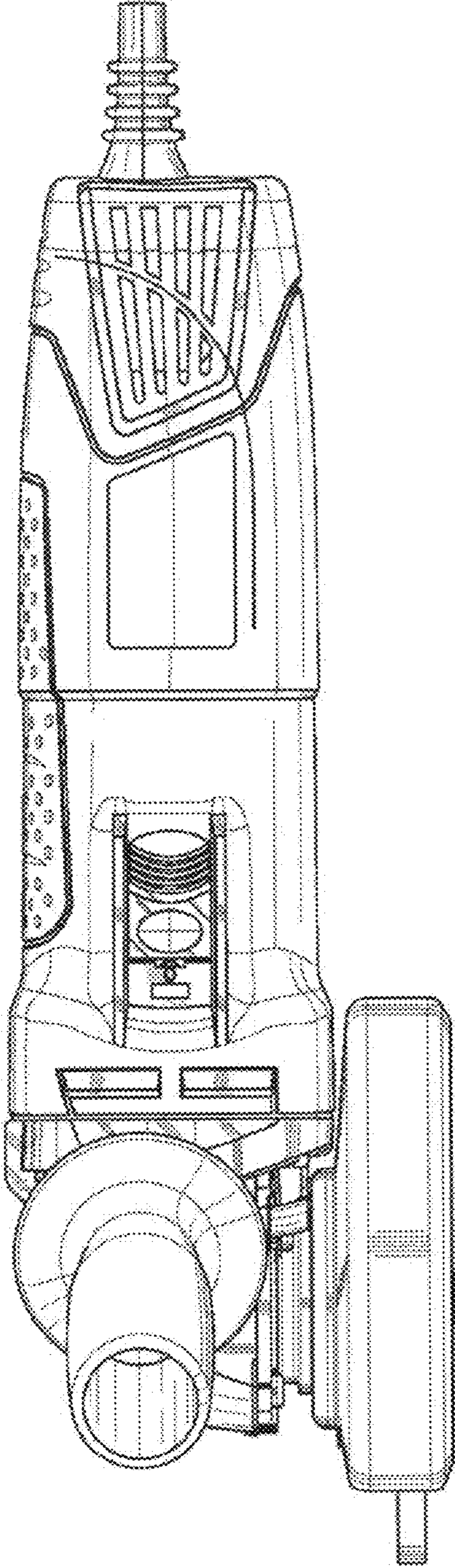


FIG. 2

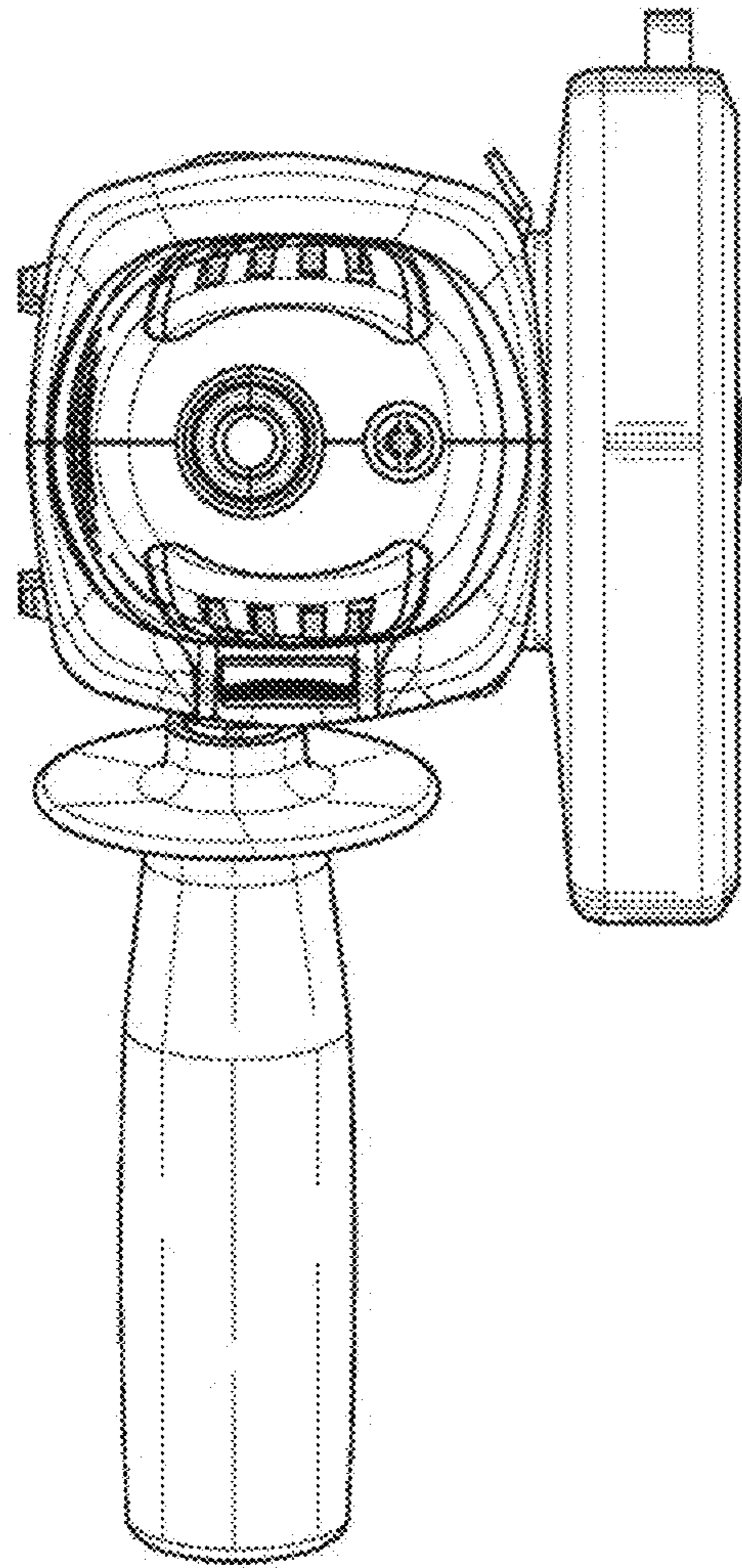


FIG. 3

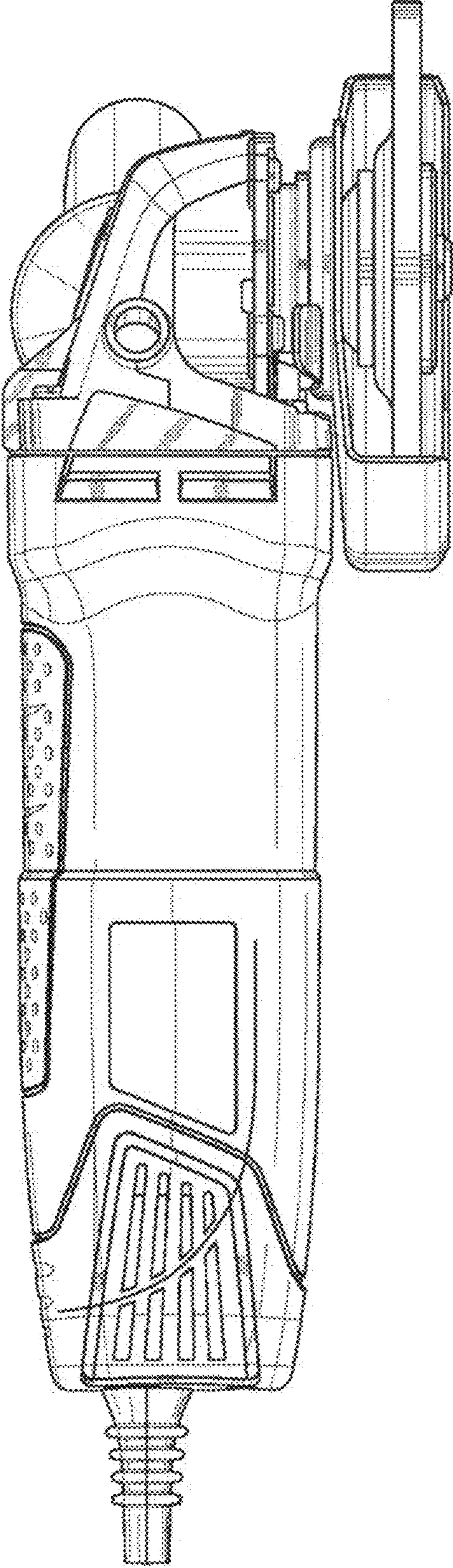


FIG. 4



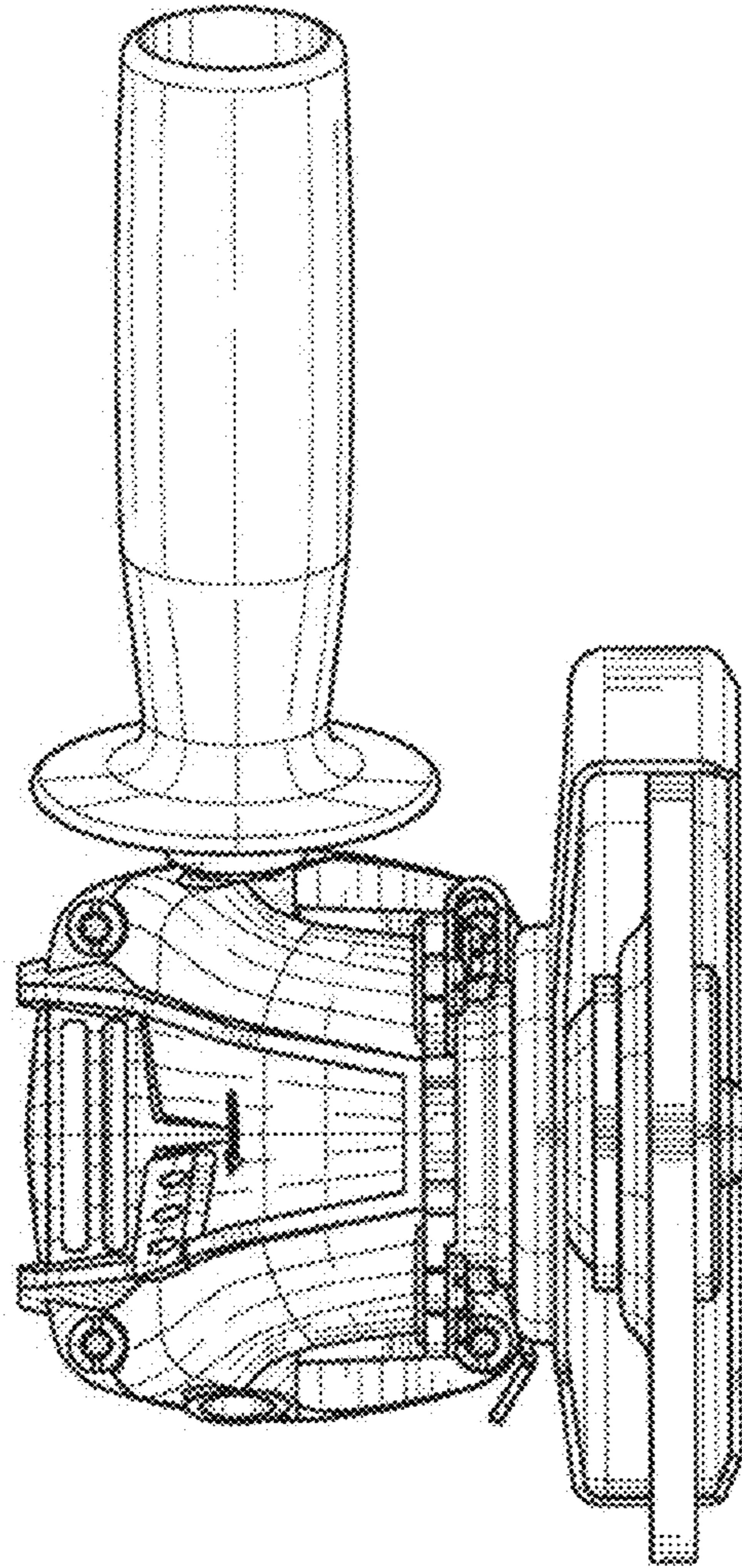


FIG. 5

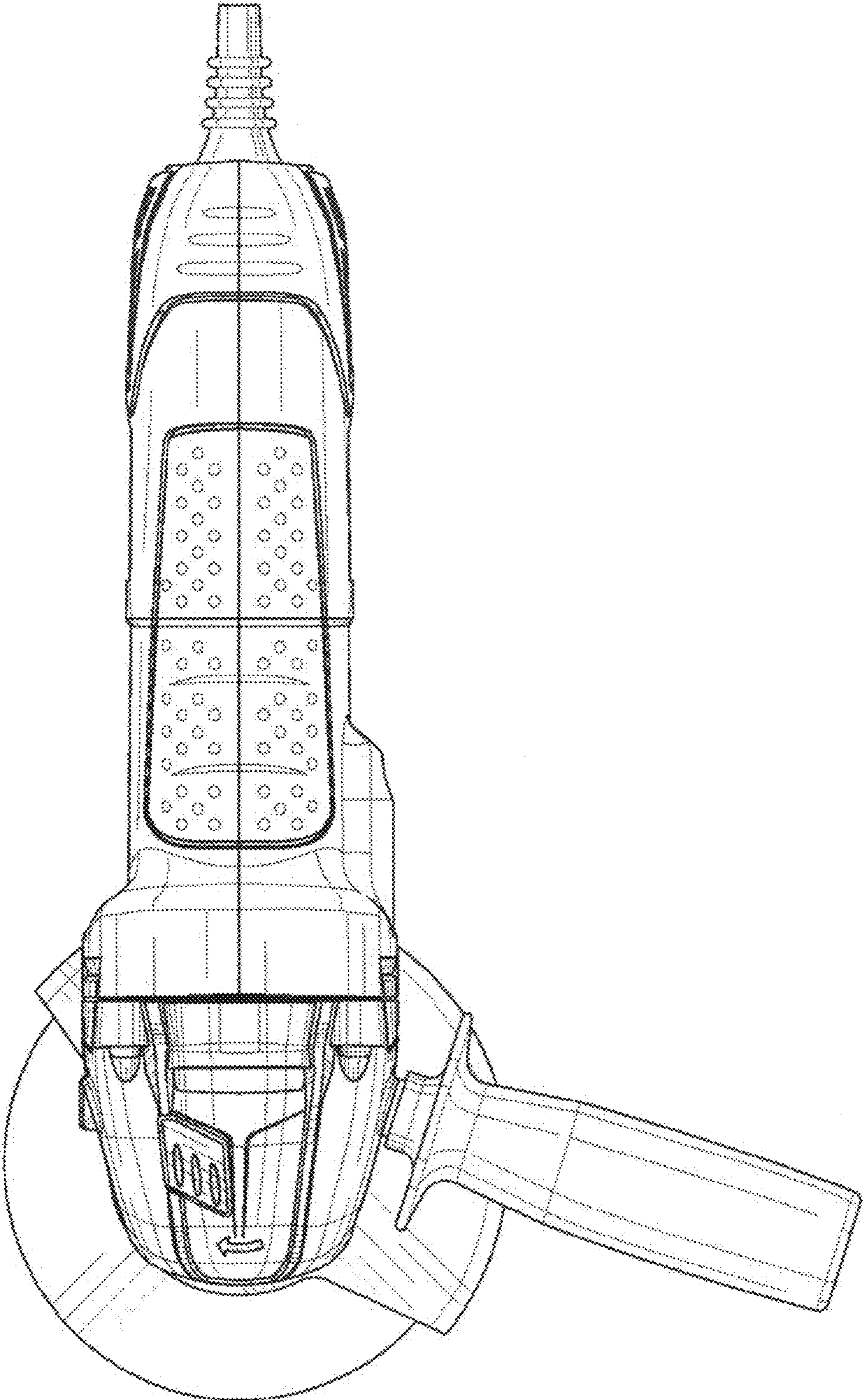


FIG. 6

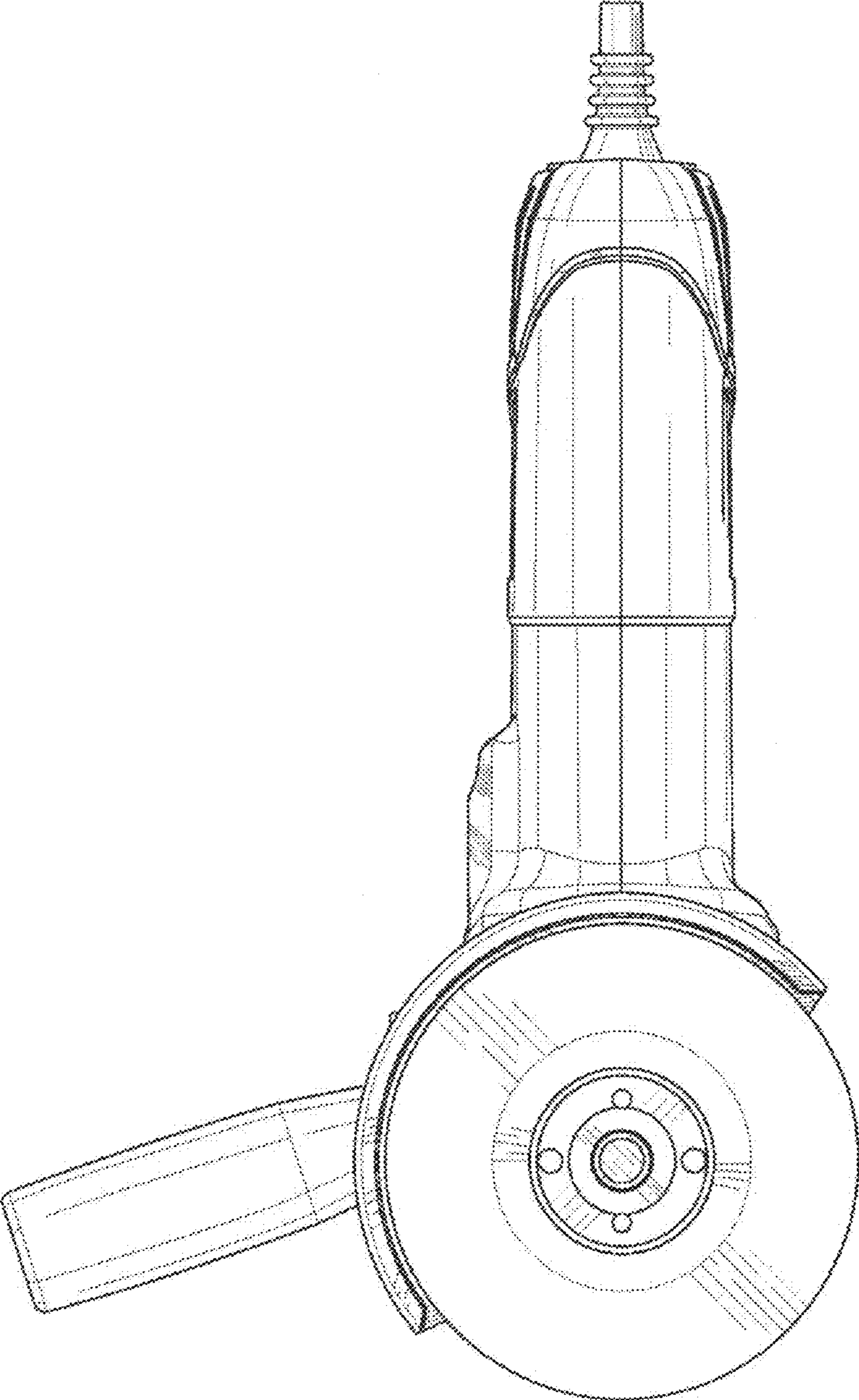


FIG. 7