



US00D707508S

(12) **United States Design Patent**
O'Rourke

(10) **Patent No.:** **US D707,508 S**
(45) **Date of Patent:** **** Jun. 24, 2014**

- (54) **STRAP WRENCH**
- (71) Applicant: **The Gates Corporation**, Denver, CO (US)
- (72) Inventor: **Ken O'Rourke**, Taichung (TW)
- (73) Assignee: **The Gates Corporation**, Denver, CO (US)
- (**) Term: **14 Years**
- (21) Appl. No.: **29/460,623**
- (22) Filed: **Jul. 12, 2013**
- (51) **LOC (10) Cl.** **08-05**
- (52) **U.S. Cl.**
USPC **D8/21**
- (58) **Field of Classification Search**
USPC D8/21-29, 105, 106, 107; 81/3.4, 3.41, 81/3.42, 3.43, 3.44, 65.2, 68, 69, 70, 81/176.1, 176.15, 176.2
See application file for complete search history.

5,115,700 A	5/1992	Kaler, 2nd	
5,440,955 A	8/1995	Freeland	
D369,076 S *	4/1996	Alexander	D8/22
5,868,046 A	2/1999	Eddy	
6,101,903 A	8/2000	Negley et al.	
6,196,090 B1	3/2001	Dumont	
D461,382 S	8/2002	Hernandez et al.	
D461,693 S	8/2002	Khubani	
6,427,561 B1	8/2002	Huang	
D465,391 S	11/2002	Huang	
D474,661 S *	5/2003	Huang	D8/22
6,834,568 B2 *	12/2004	Khubani	81/64
7,040,198 B2 *	5/2006	Gelpi, Jr.	81/64
D527,962 S	9/2006	Kang	
D531,864 S *	11/2006	Ping	D8/22
D671,381 S	11/2012	Davis	
D671,382 S	11/2012	Davis	

* cited by examiner

Primary Examiner — Randall Gholson

(74) *Attorney, Agent, or Firm* — Jeffrey A. Thurnau, Esq.; Paul N. Dunlap, Esq.

(57) **CLAIM**

The ornamental design for a strap wrench, as shown and described.

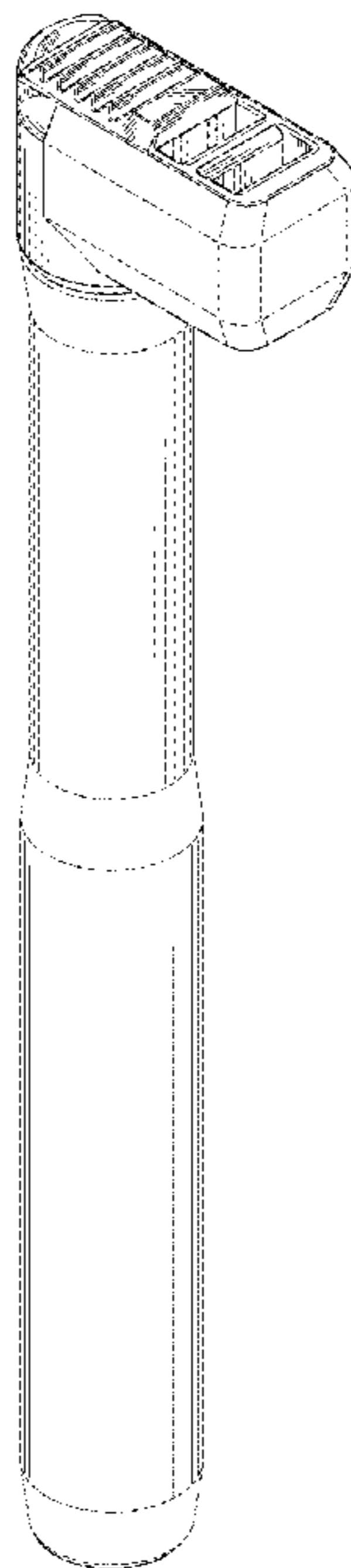
DESCRIPTION

FIG. 1 is a top perspective view.
FIG. 2 is a front elevation view.
FIG. 3 is a back elevation view.
FIG. 4 is a side elevation view.
FIG. 5 is a top plan view; and,
FIG. 6 is a bottom plan view.
The details shown in broken lines show unclaimed subject matter only and form no part of the claimed design.

1 Claim, 3 Drawing Sheets

(56) **References Cited**
U.S. PATENT DOCUMENTS

1,911,815 A *	5/1933	Deringer et al.	81/64
2,787,924 A *	4/1957	Hammer	81/3.43
D225,297 S *	12/1972	Hitchcock	D8/21
3,962,936 A	6/1976	Lewis	
D242,981 S *	1/1977	Craig	D8/22
4,010,662 A	3/1977	Perrault	
4,037,495 A	7/1977	Beckstead	
4,079,642 A	3/1978	Scott	
4,145,938 A	3/1979	Laird, Jr.	
4,750,389 A	6/1988	Shuster	
4,987,804 A	1/1991	Greenawalt	



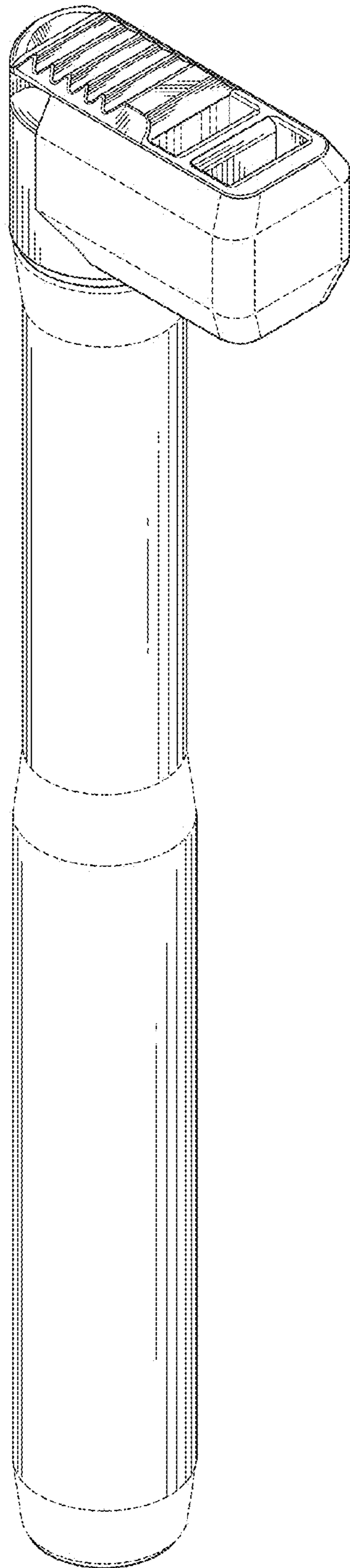


FIG.1

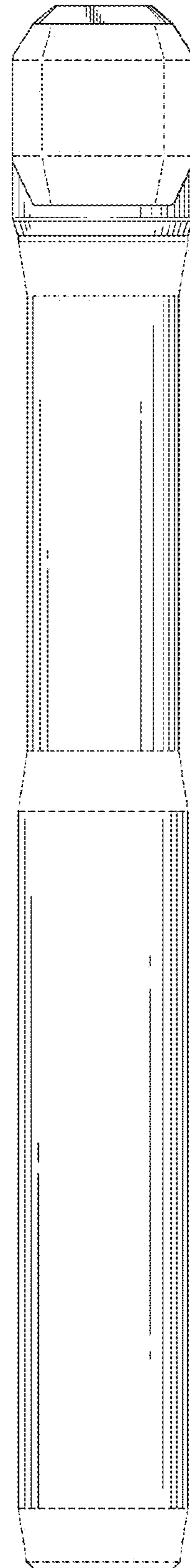


FIG.2

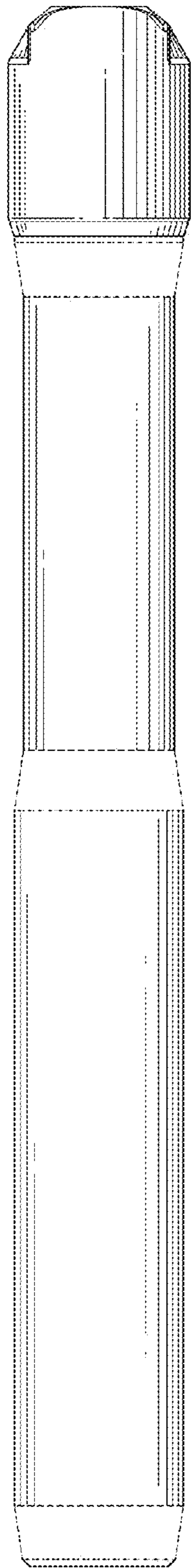


FIG.3

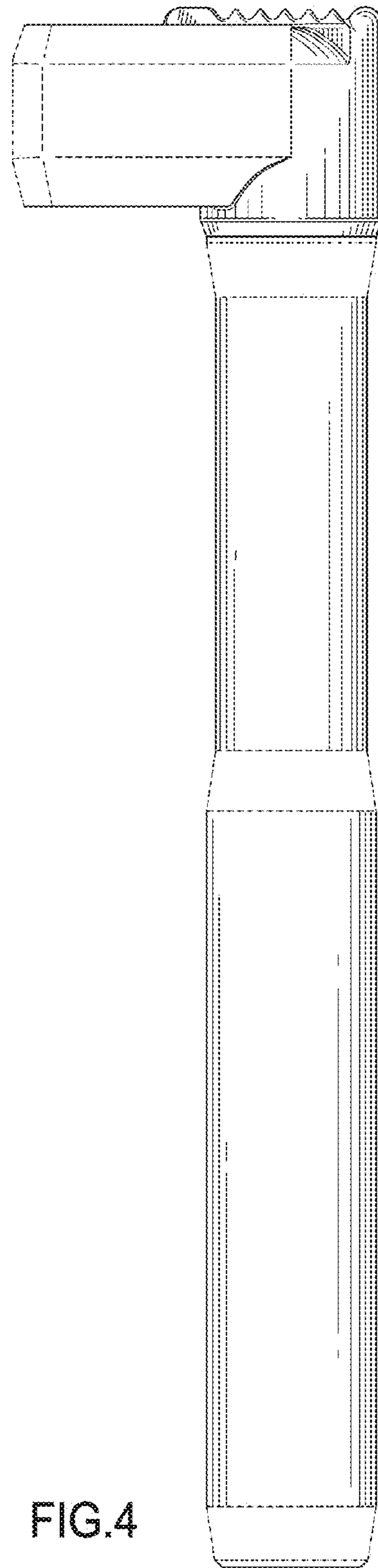


FIG.4

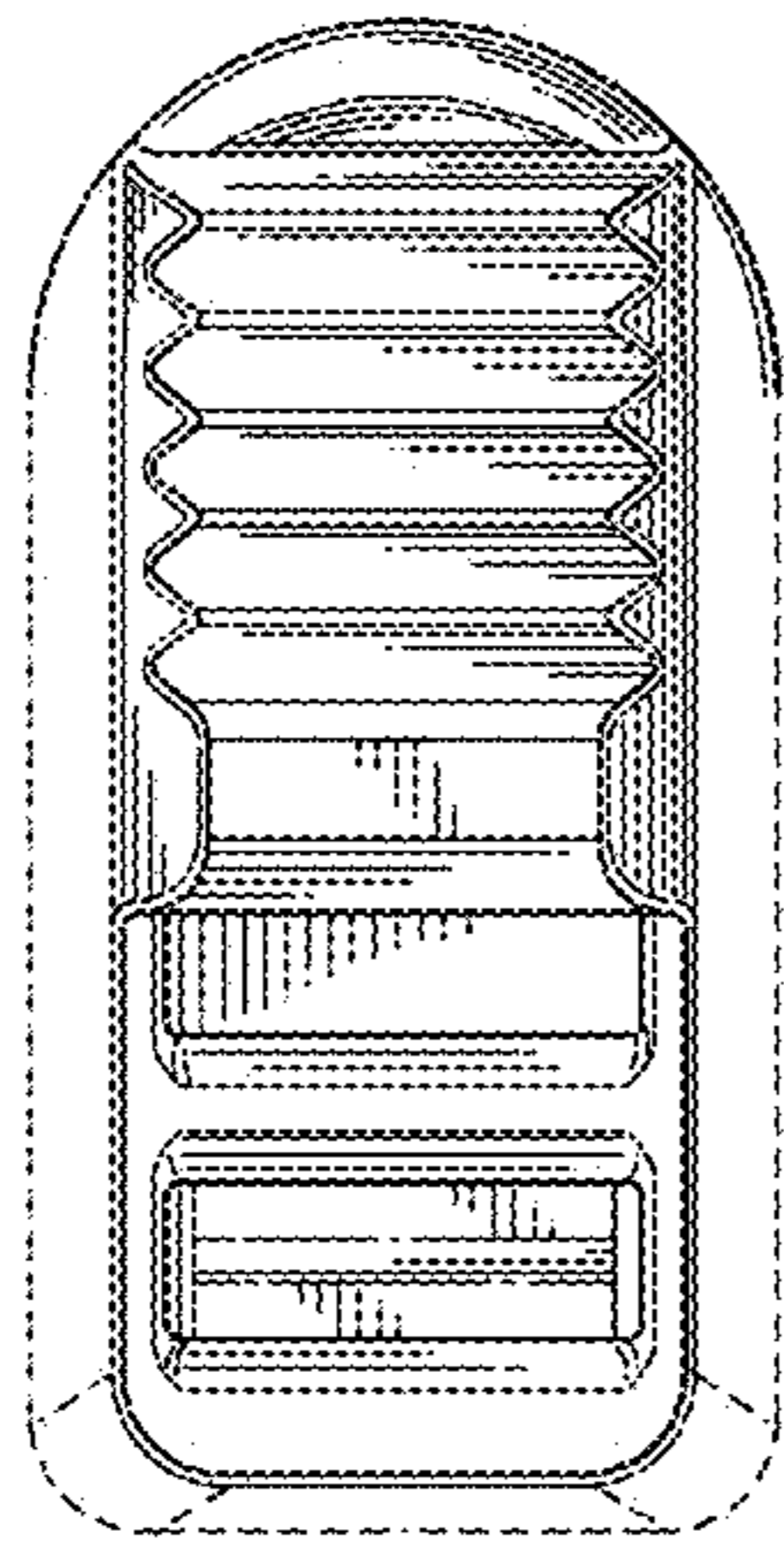


FIG. 5

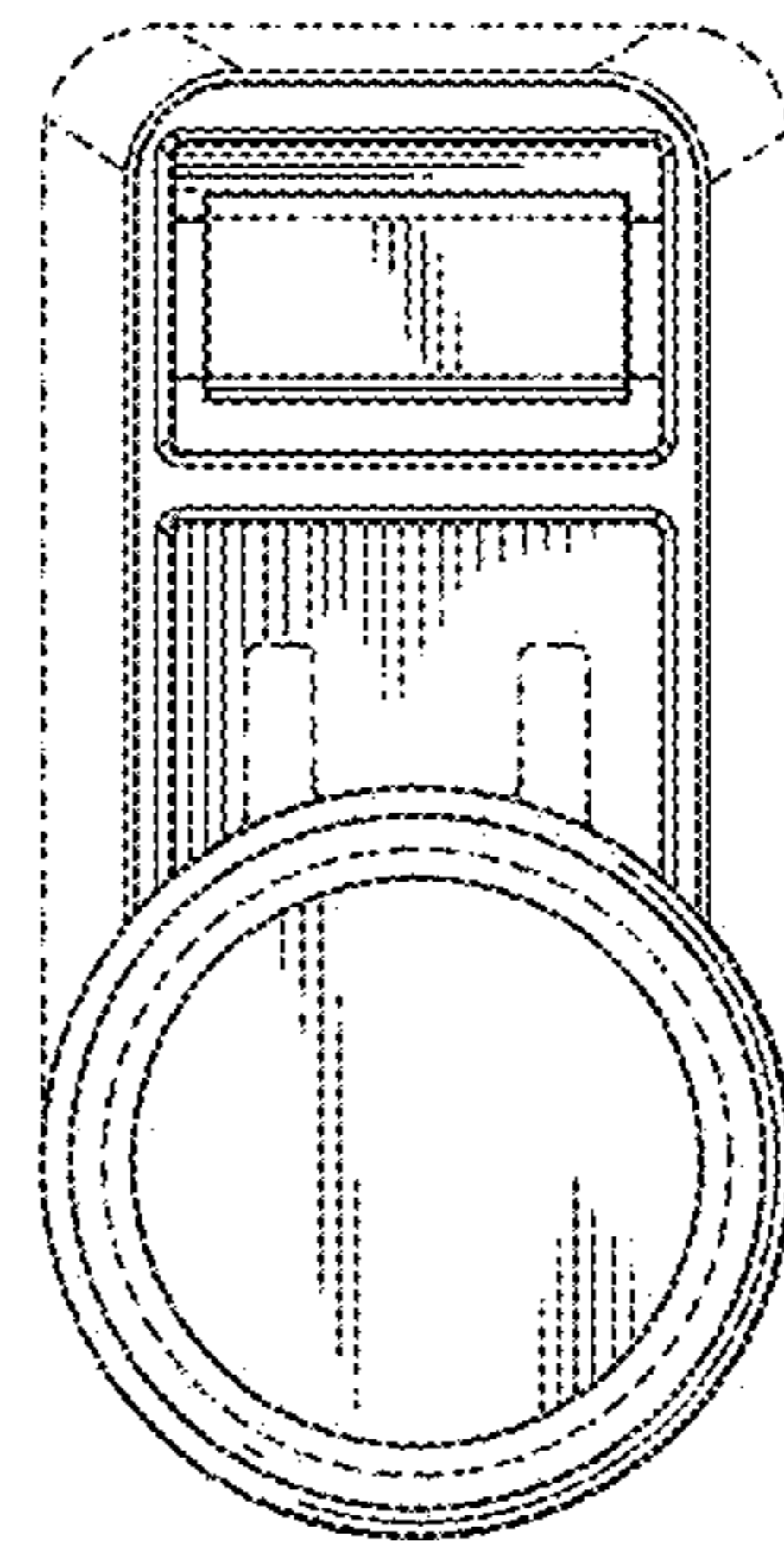


FIG. 6