



US00D707505S

(12) **United States Design Patent**  
**Woodard**

(10) **Patent No.:** **US D707,505 S**  
(45) **Date of Patent:** **\*\* Jun. 24, 2014**

(54) **COLLAPSIBLE SEED/PLANT PROTECTOR**

(71) Applicant: **R. Brett Woodard**, North Vernon, IN  
(US)

(72) Inventor: **R. Brett Woodard**, North Vernon, IN  
(US)

(\*\*) Term: **14 Years**

(21) Appl. No.: **29/456,038**

(22) Filed: **May 28, 2013**

(51) **LOC (10) Cl.** ..... **08-01**

(52) **U.S. Cl.**  
USPC ..... **D8/1**

(58) **Field of Classification Search**  
USPC ..... D8/1; D30/114, 116, 119; 47/45, 29.2;  
D6/405, 403; D11/143

See application file for complete search history.

(56) **References Cited**

**U.S. PATENT DOCUMENTS**

2,109,426	A *	2/1938	King	47/29.2
3,815,549	A *	6/1974	Opmeer	119/459
4,285,163	A *	8/1981	Booker, Jr.	47/45
4,762,085	A	8/1988	Ondrasik	
4,894,951	A *	1/1990	Risley	47/45
5,544,446	A *	8/1996	Benson, Jr.	47/45
D378,287	S *	3/1997	Alligood	D11/143
D419,405	S *	1/2000	Wagoner	D8/1
6,061,953	A *	5/2000	Chubb et al.	47/31.1

D428,536	S *	7/2000	Watts	D30/119
D526,509	S *	8/2006	Glamos	D6/403
D542,611	S *	5/2007	Wilson	D8/1
D604,528	S *	11/2009	Hiatt	D6/405
D634,485	S *	3/2011	Clemmons et al.	D30/116
D644,143	S *	8/2011	Hollihan	D11/143
D672,511	S *	12/2012	Cantwell et al.	D30/114
D682,639	S *	5/2013	Dray	D8/1
2011/0219682	A1	9/2011	Butler	

**OTHER PUBLICATIONS**

[http://www.foreverlastonline.com/Varmint-Cage\\_p\\_21.html](http://www.foreverlastonline.com/Varmint-Cage_p_21.html);  
Varmint Cage—Hunting and Fishing Products—“Admitted Prior Art”.

\* cited by examiner

*Primary Examiner* — Sheryl Lane

(74) *Attorney, Agent, or Firm* — Woodard, Emhardt, Moriarty, McNett & Henry LLP

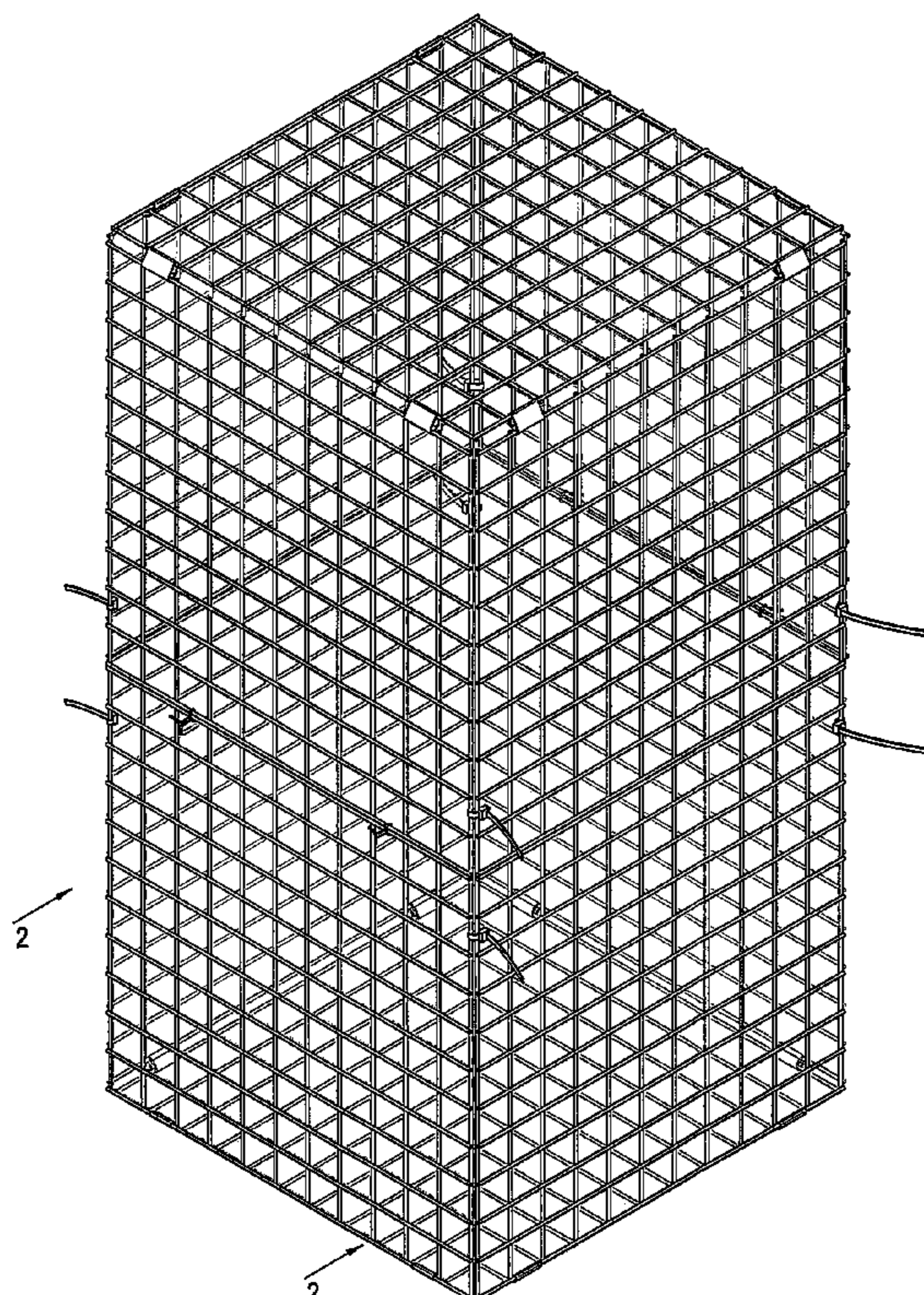
(57) **CLAIM**

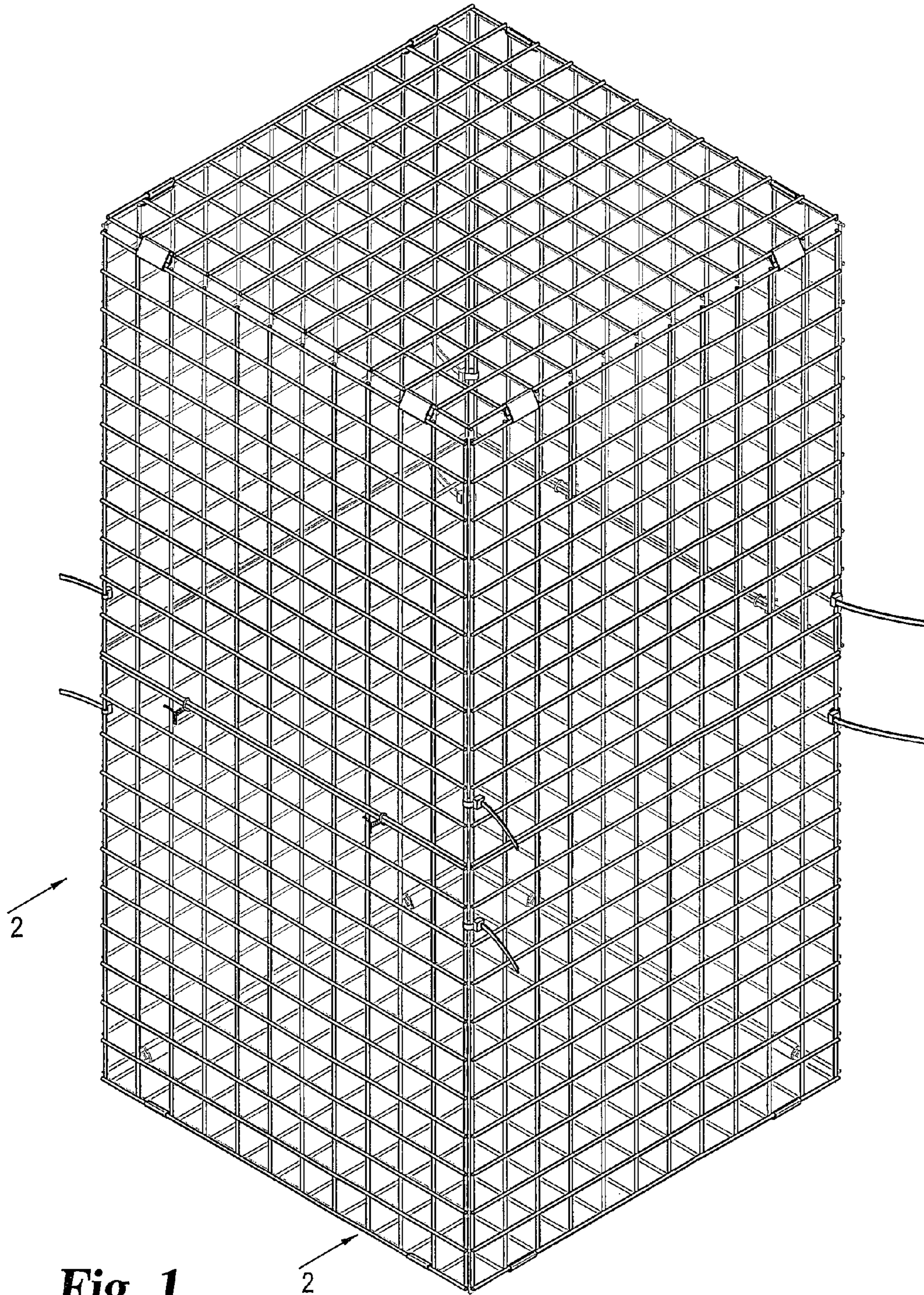
The ornamental design for a collapsible seed/plant protector, as shown and described.

**DESCRIPTION**

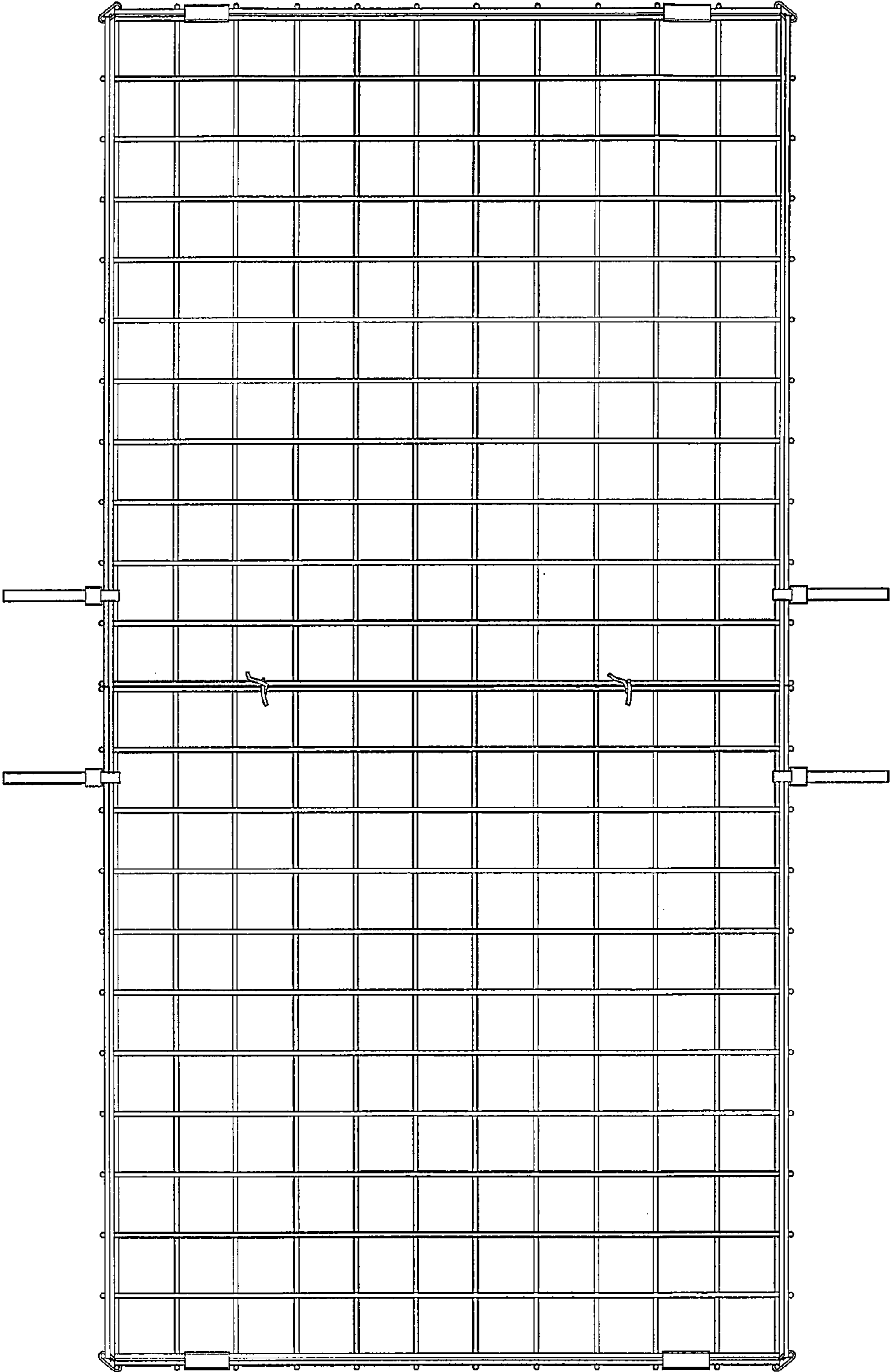
FIG. 1 is a front perspective view of my collapsible seed/plant protector in the erect position incorporating my new design; FIG. 2 is a front view thereof; FIG. 3 is a left side view thereof; FIG. 4 is a right side view thereof; FIG. 5 is a back view thereof; FIG. 6 is a top view thereof; and, FIG. 7 is a bottom view thereof.

**1 Claim, 7 Drawing Sheets**

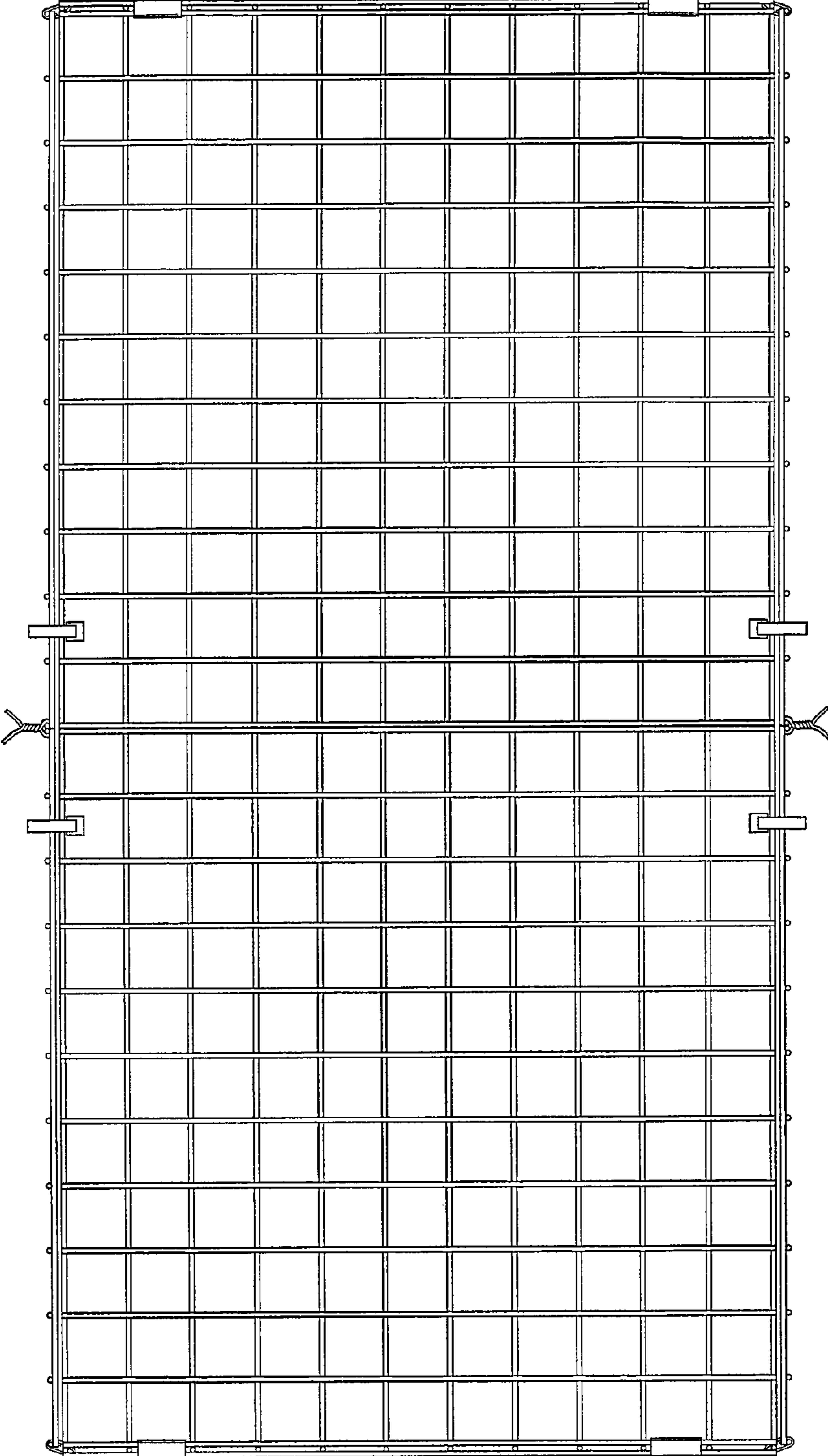




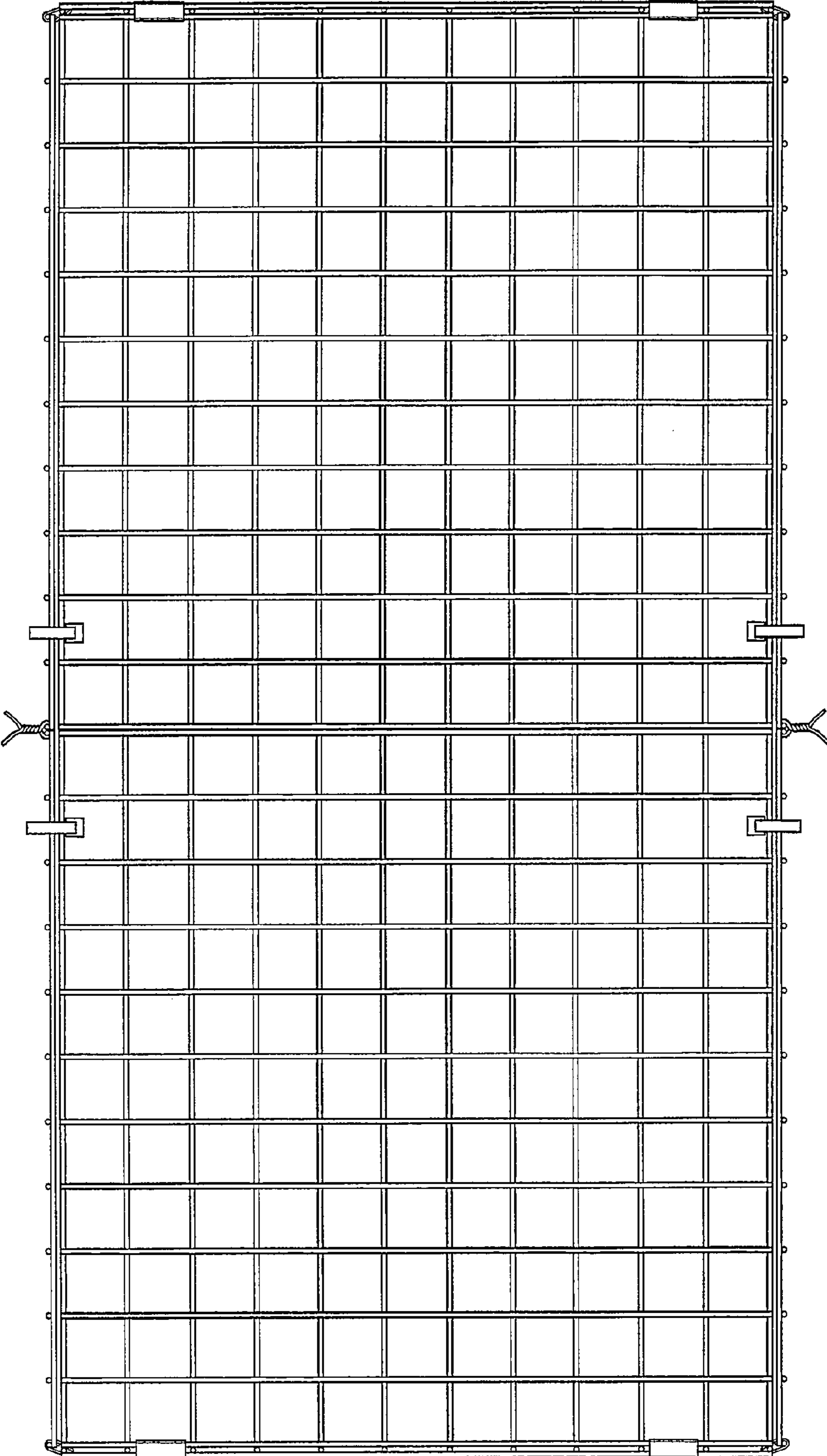
**Fig. 1**



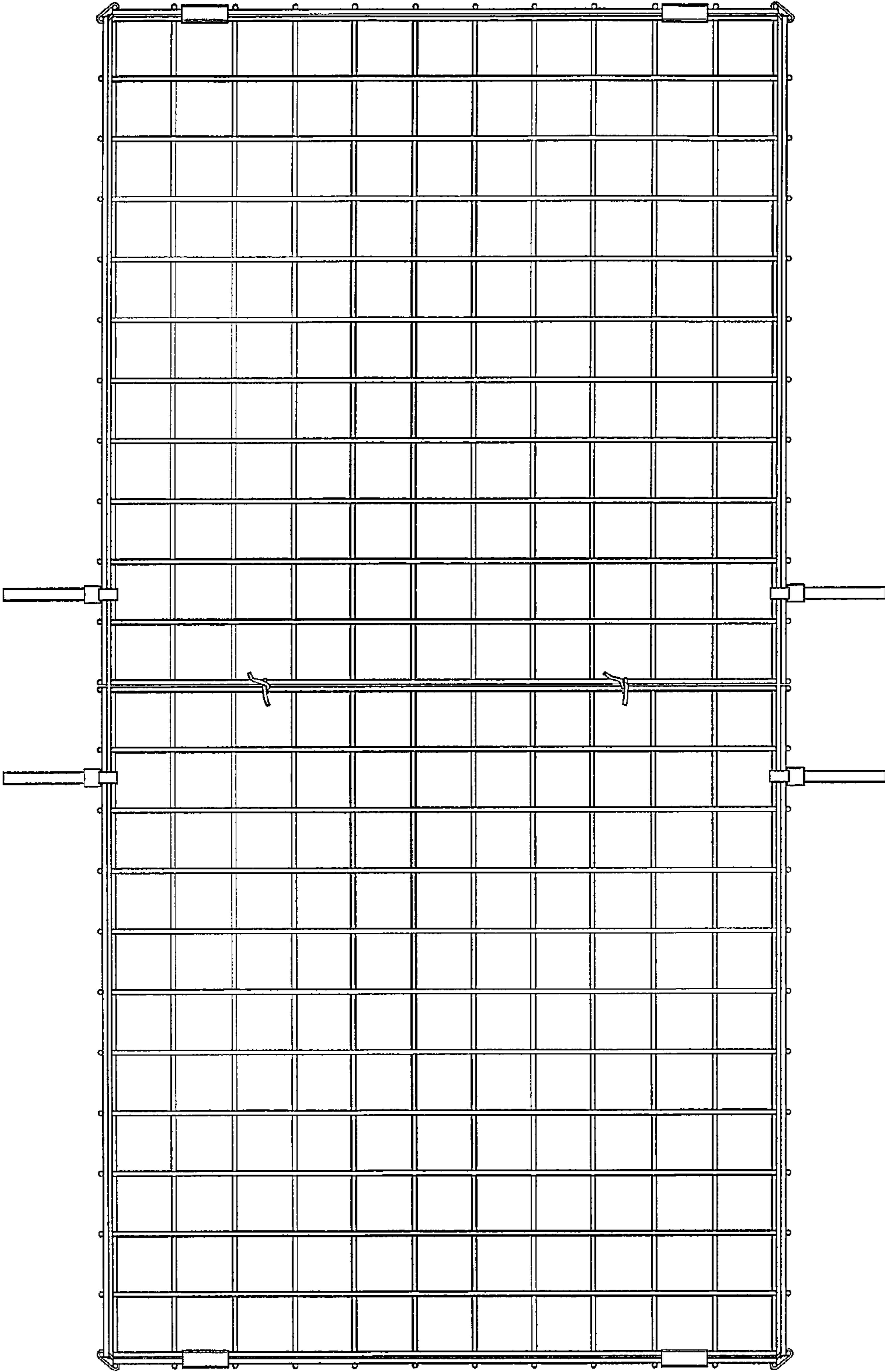
**Fig. 2**



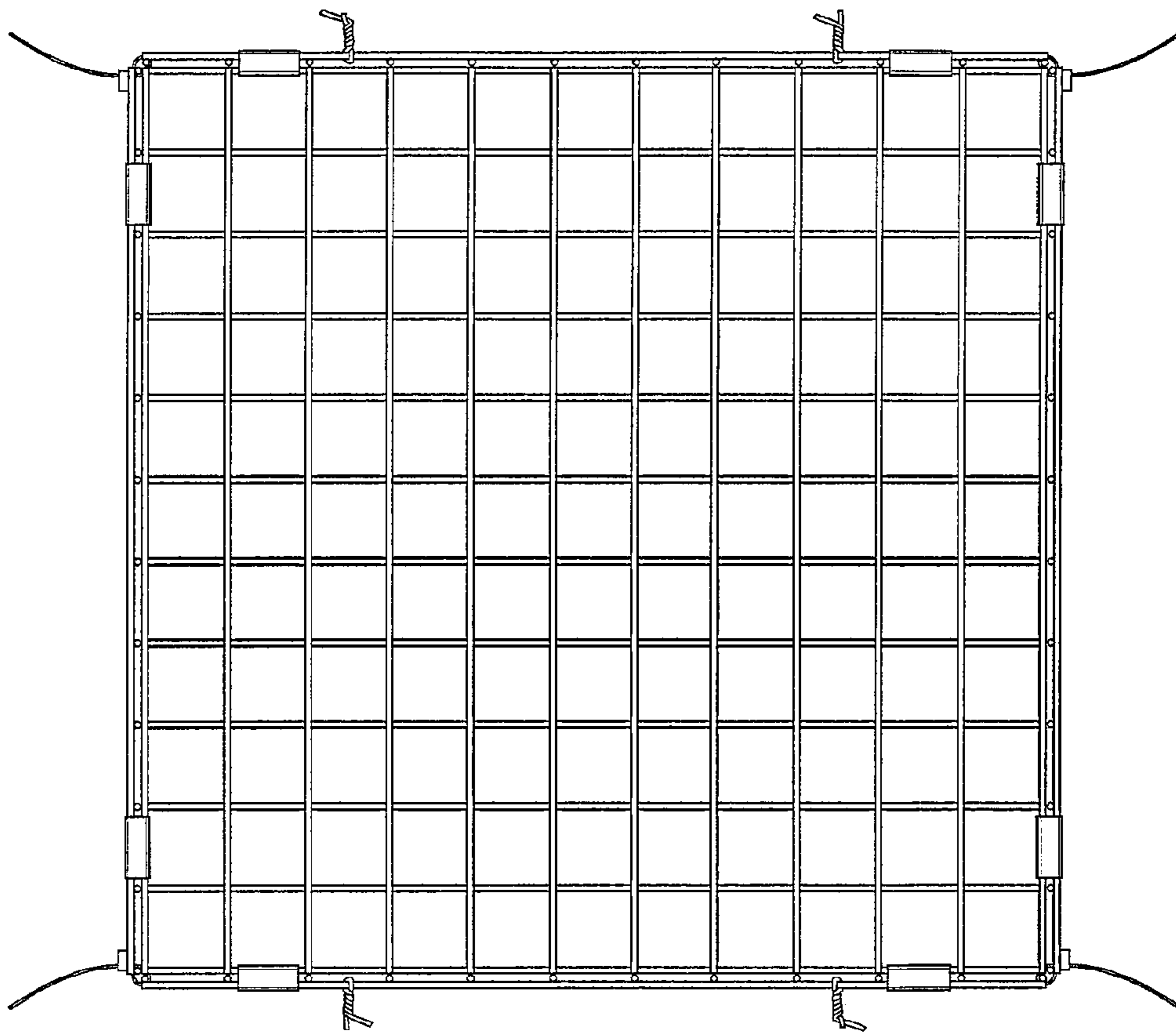
**Fig. 3**



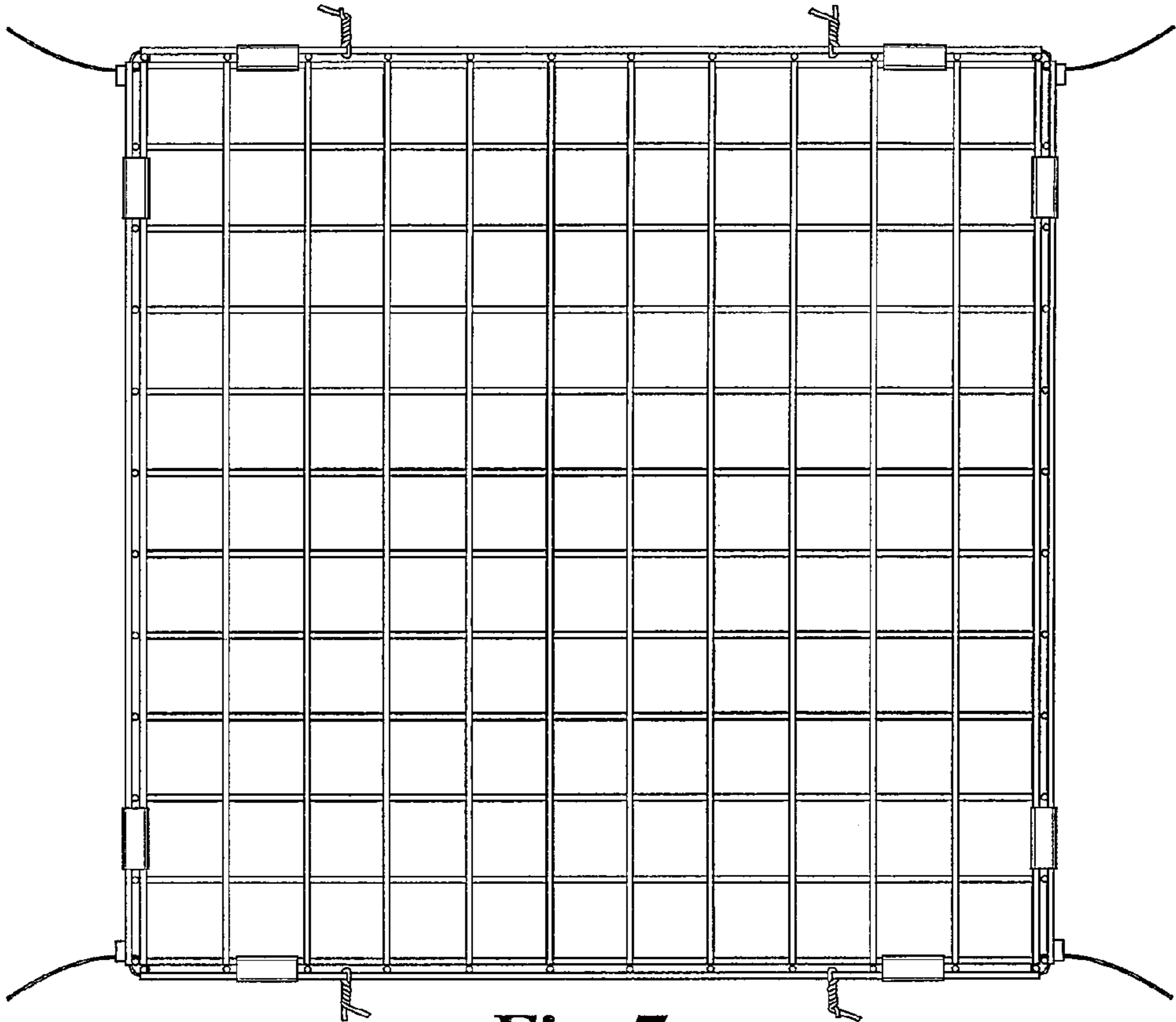
*Fig. 4*



*Fig. 5*



**Fig. 6**



**Fig. 7**