



US00D707503S

(12) **United States Design Patent**
Dorn et al.

(10) **Patent No.:** **US D707,503 S**
(45) **Date of Patent:** **** Jun. 24, 2014**

(54) **CUP HOLDER**

(71) Applicant: **Raffel Systems, LLC**, Germantown, WI (US)

(72) Inventors: **Douglas A. Dorn**, Brookfield, WI (US);
Torrin Santy, West Bend, WI (US)

(73) Assignee: **Raffel Systems, LLC**, Germantown, WI (US)

(**) Term: **14 Years**

(21) Appl. No.: **29/471,664**

(22) Filed: **Nov. 4, 2013**

(51) **LOC (10) Cl.** **07-06**

(52) **U.S. Cl.**
USPC **D7/701**

(58) **Field of Classification Search**
USPC D7/619.1-625, 701-708; 294/27.1,
294/31.2, 33; 211/71.01, 74, 75; 248/311.2,
248/309.1; 215/393-396; D9/443, 434
See application file for complete search history.

(56) **References Cited**

U.S. PATENT DOCUMENTS

7,487,945	B2 *	2/2009	Liu et al.	248/311.2
2007/0075205	A1 *	4/2007	Shin et al.	248/311.2
2008/0128572	A1 *	6/2008	Epstein	248/311.2

* cited by examiner

Primary Examiner — Terry Wallace

(74) *Attorney, Agent, or Firm* — Tyler J. Sisk; Casimir Jones, S.C.

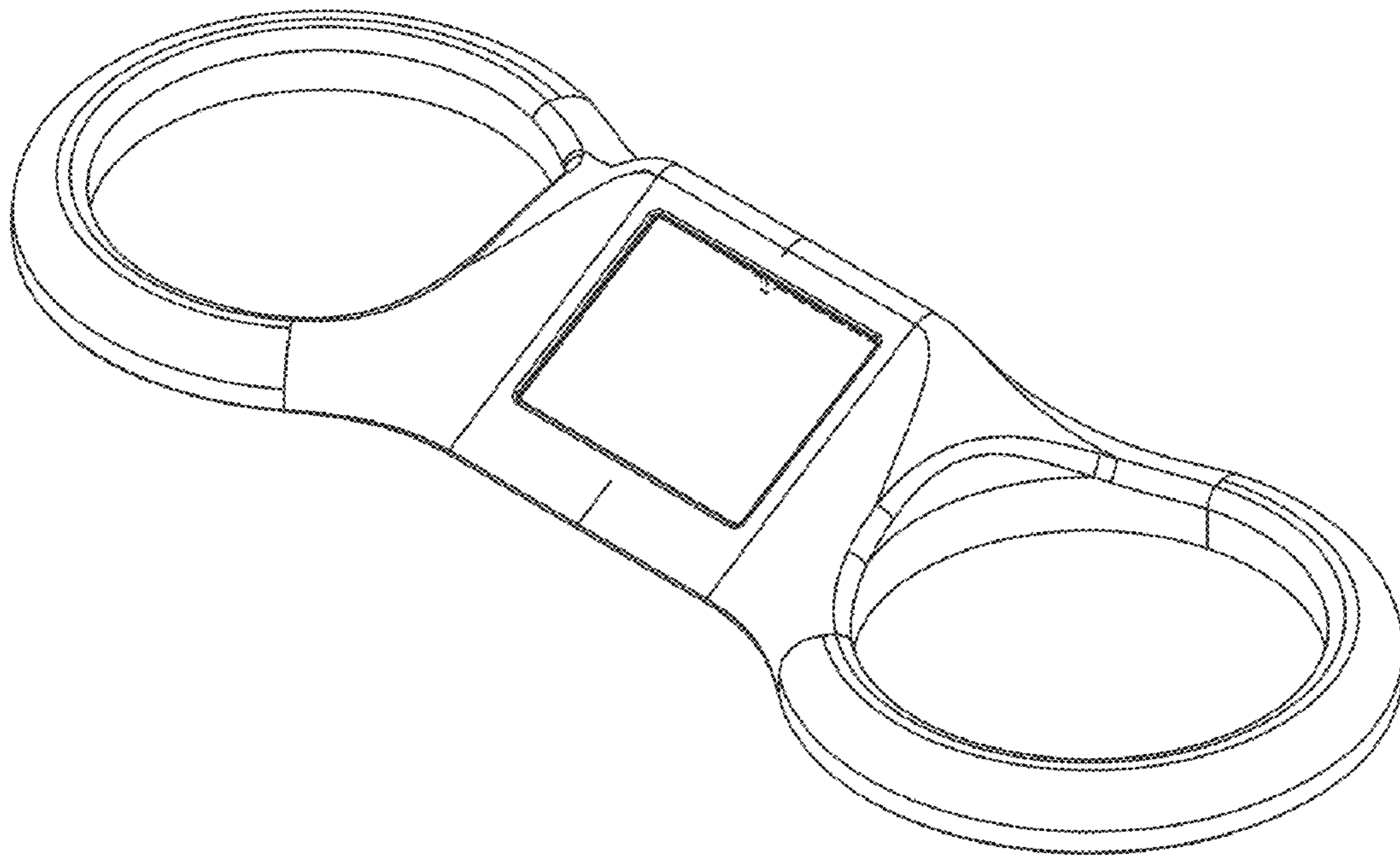
(57) **CLAIM**

The ornamental design for a cup holder, as shown and described.

DESCRIPTION

FIG. 1 is a top perspective view showing our new design of a cup holder;
FIG. 2 is a front elevational view thereof;
FIG. 3 is a rear elevational view thereof;
FIG. 4 is a left side elevational view thereof;
FIG. 5 is a right side elevational view thereof;
FIG. 6 is a top plan view thereof; and,
FIG. 7 is a bottom plan view thereof.
The broken lines shown in FIGS. 1, 2, and 7 are for the purpose of illustrating environment, and form no part of the claimed design.

1 Claim, 2 Drawing Sheets



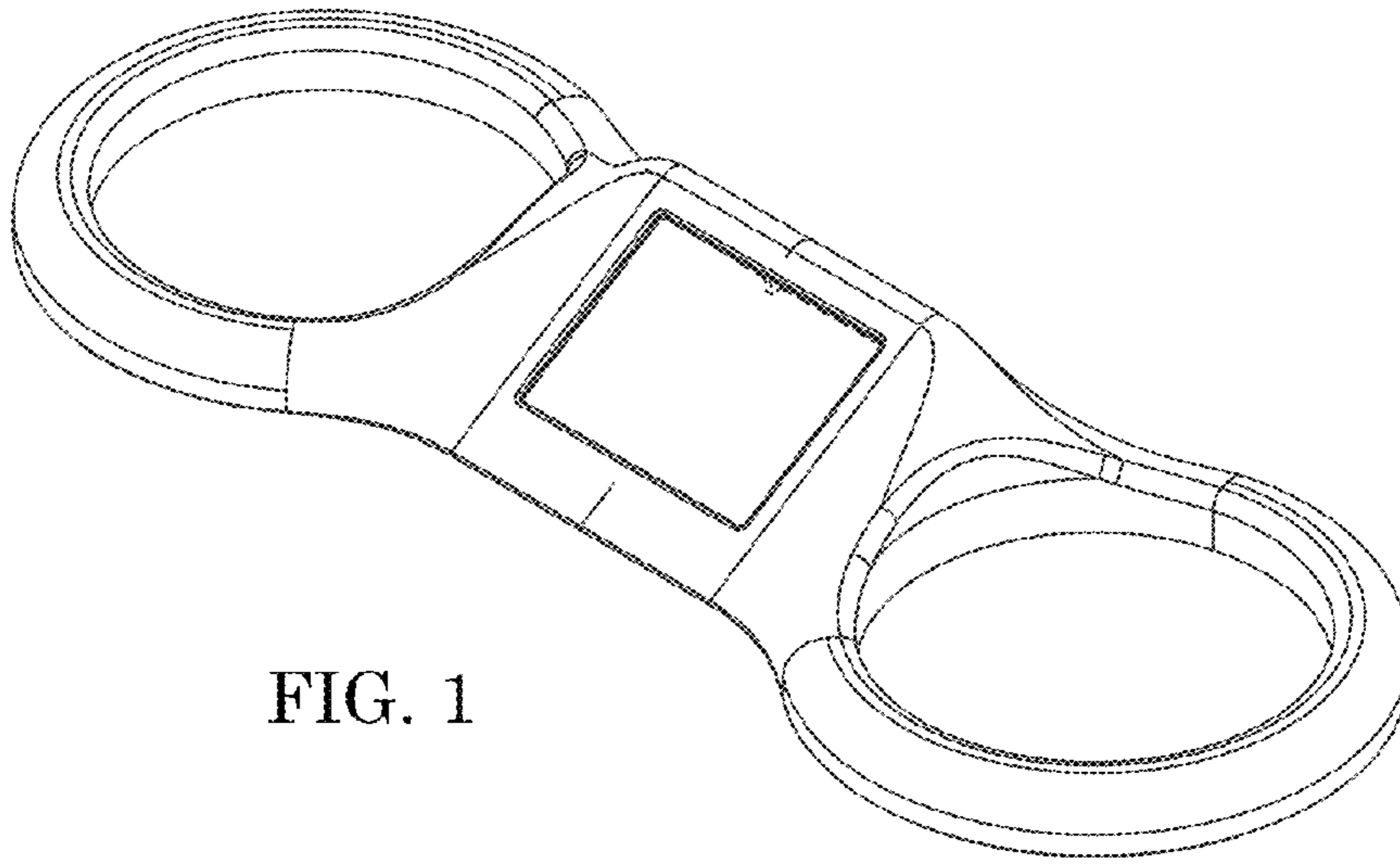


FIG. 1

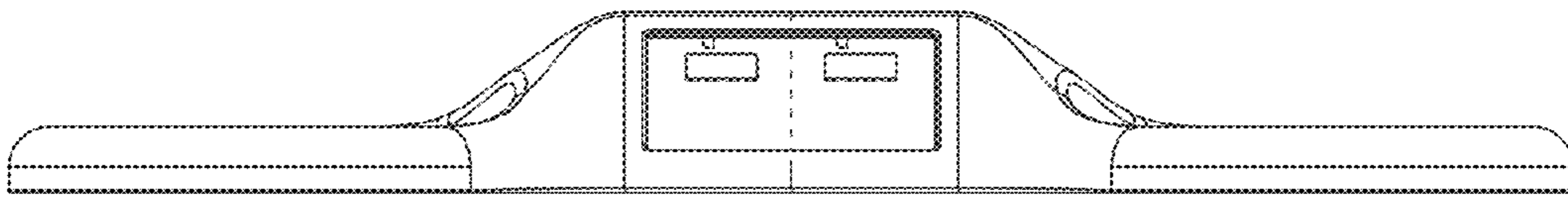


FIG. 2

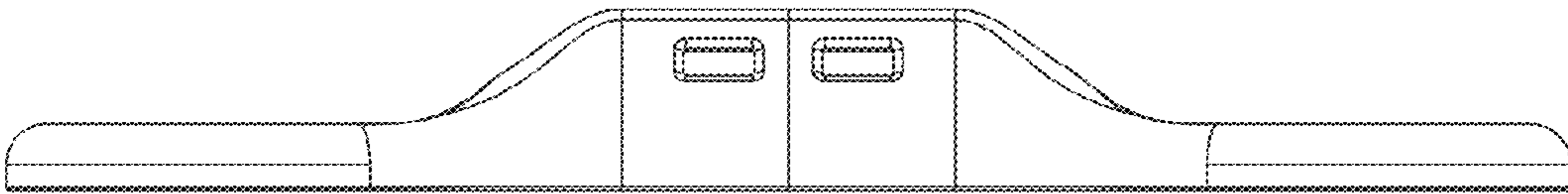


FIG. 3

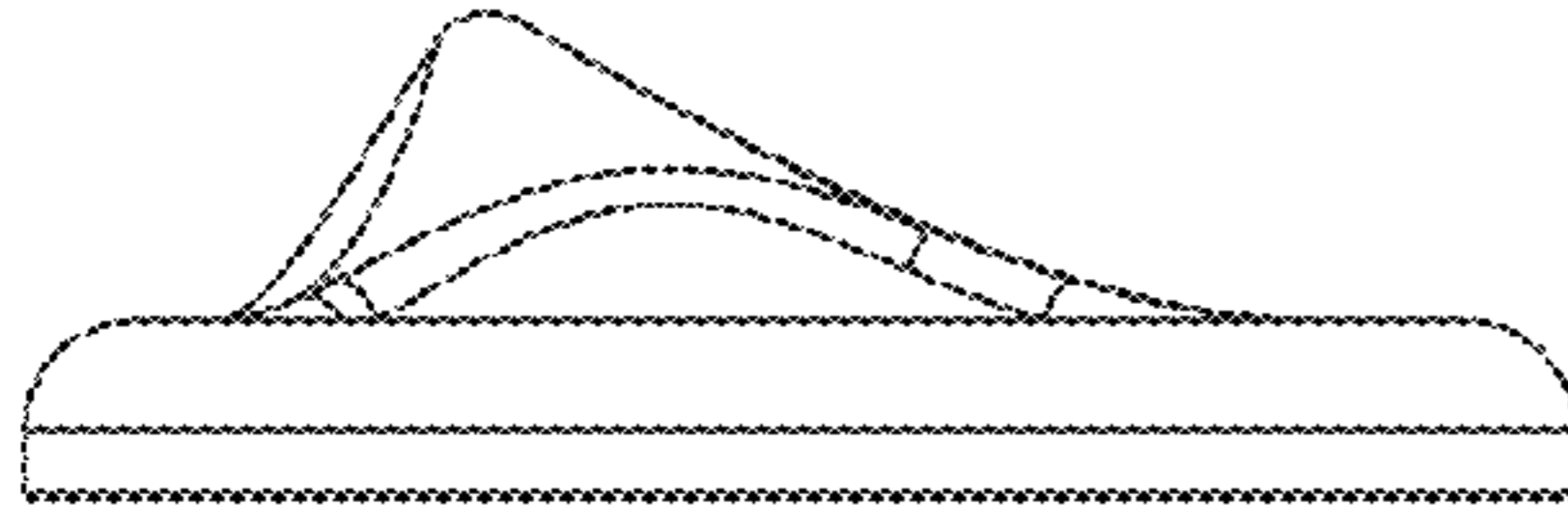


FIG. 4

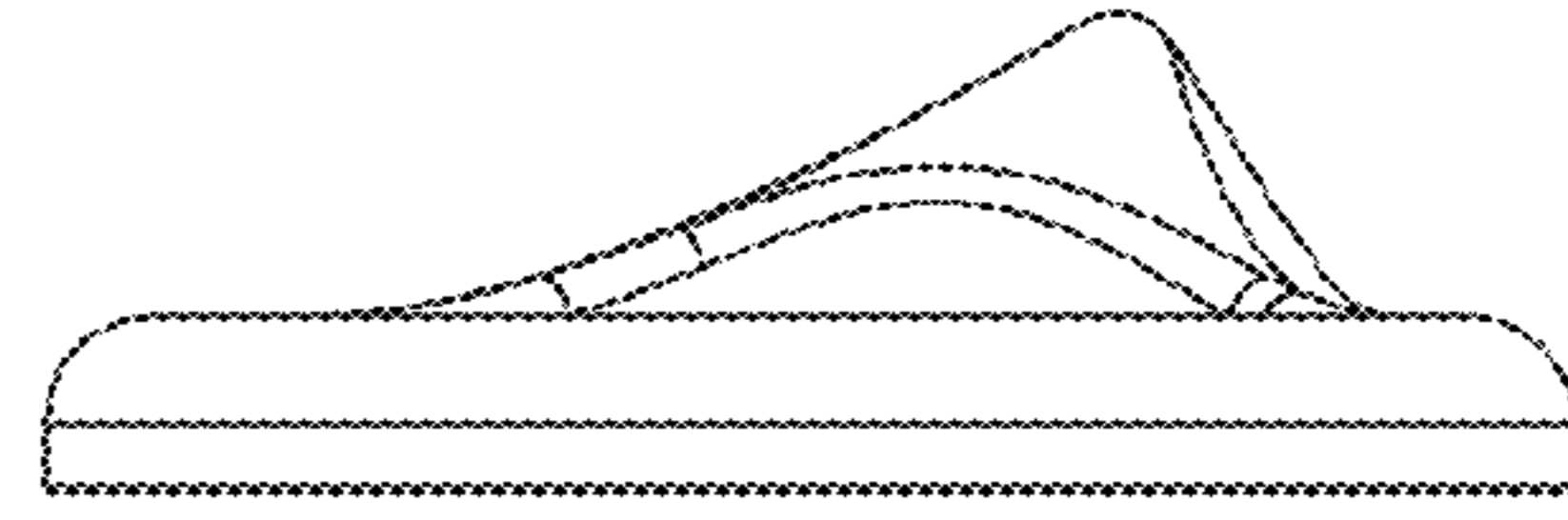


FIG. 5

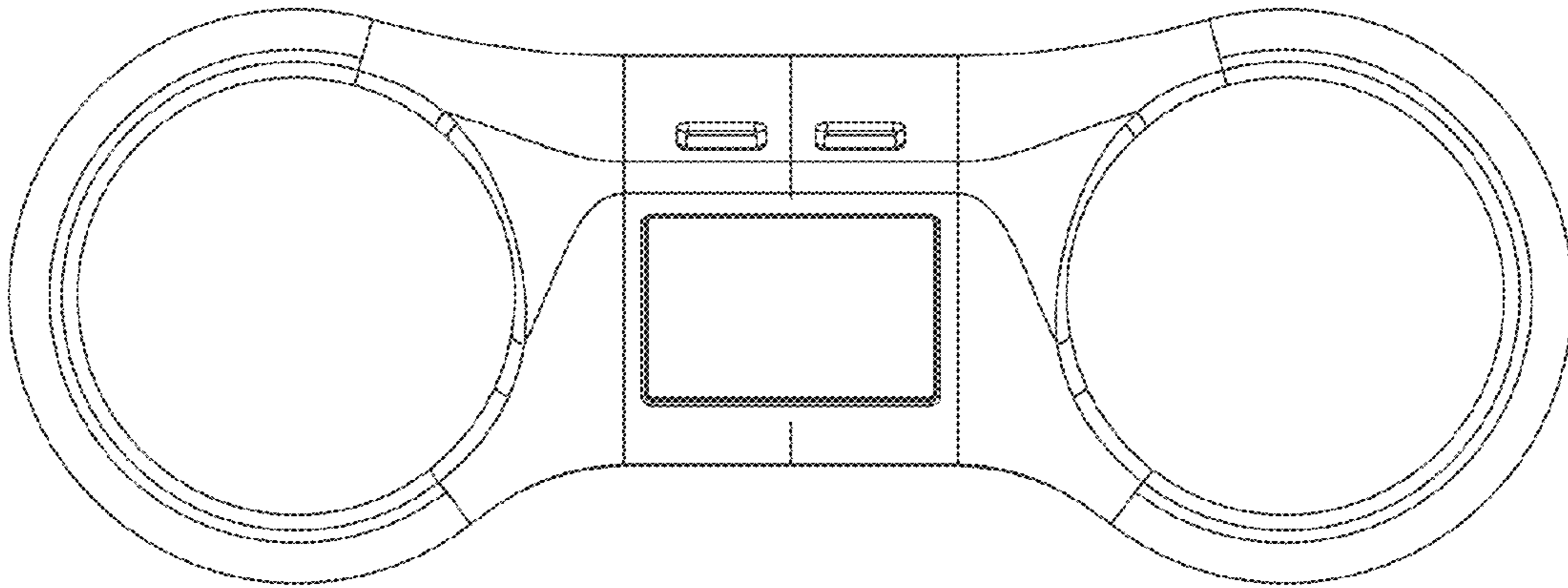


FIG. 6

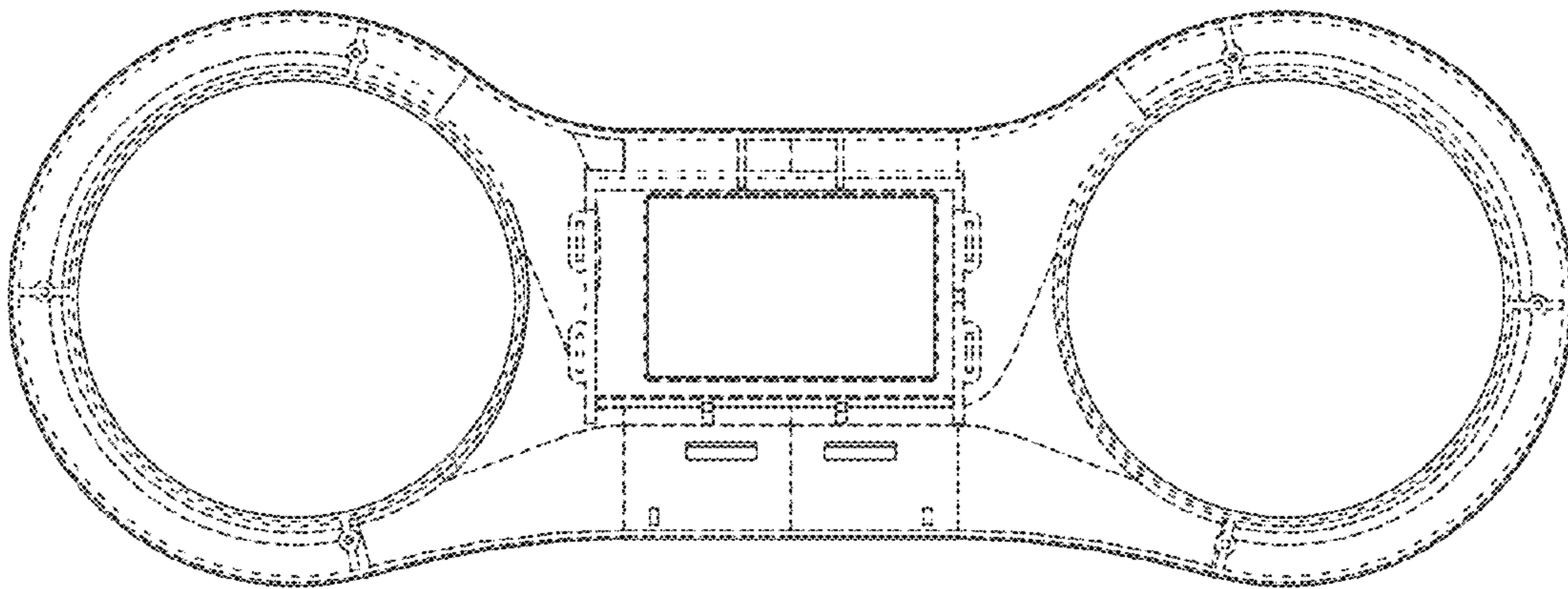


FIG. 7