



US00D707502S

(12) **United States Design Patent**
Alavian et al.

(10) **Patent No.:** **US D707,502 S**
(45) **Date of Patent:** **** Jun. 24, 2014**

(54) **JUICE EXTRACTOR**

(71) Applicants: **Alireza Alavian**, Irvine, CA (US);
Joshua Paul Roos, Irvine, CA (US)

(72) Inventors: **Alireza Alavian**, Irvine, CA (US);
Joshua Paul Roos, Irvine, CA (US)

(**) Term: **14 Years**

(21) Appl. No.: **29/467,290**

(22) Filed: **Sep. 18, 2013**

(51) **LOC (10) Cl.** **07-04**

(52) **U.S. Cl.**
USPC **D7/665**

(58) **Field of Classification Search**

CPC A47J 19/022; A47J 19/00; A47J 19/02;
A23N 1/00; A23N 1/003; A47G 19/2272;
B65D 47/06; B65D 47/043; B65D 47/046;
B65D 25/40; B65D 25/48; B65D 25/42;
B65D 77/068; B65D 2517/0049; B65D 5/746;
B65D 77/067
USPC D7/665-667, 398, 397, 392, 300.1, 300,
D7/510, 511, 396.2, 303, 302, 312, 313,
D7/316, 368; D9/440, 441, 434, 435, 436,
D9/447, 439; 220/709; 100/108, 104, 133,
100/135, 125, 134, 211, 37; 215/388, 11.1;
222/81, 90, 89, 91, 189.06, 215, 484;
99/495-513

See application file for complete search history.

(56) **References Cited**

U.S. PATENT DOCUMENTS

1,649,755	A *	11/1927	Thompson	100/108
1,747,957	A *	2/1930	Silveus	100/108
1,882,065	A *	10/1932	Cody	100/108
1,885,011	A *	10/1932	Goudiss, Jr.	100/108
1,889,883	A *	12/1932	Cody	100/108
1,922,773	A *	8/1933	Mauil	100/37
1,951,219	A *	3/1934	Strand	100/108
1,965,910	A *	7/1934	Schiller	100/108
2,014,236	A *	9/1935	McNamara	100/125

2,212,328	A *	8/1940	Scurlock	99/497
2,538,782	A *	1/1951	Higley	99/505
2,579,032	A *	12/1951	Comotto	100/108
2,746,379	A *	5/1956	Covington	100/108
D213,485	S *	3/1969	Schiller	D7/665
D360,580	S *	7/1995	Bomareto	D9/447
D418,417	S *	1/2000	Hollinger	D9/440
D421,908	S	3/2000	Abrams	
D422,854	S	4/2000	Wallays	
6,568,319	B2	5/2003	Schrader et al.	
6,912,951	B2	7/2005	Brandao, Jr. et al.	
D564,308	S	3/2008	Brunner et al.	
D614,443	S	4/2010	Federighi	
D624,358	S	9/2010	Maufette et al.	
D652,251	S	1/2012	Goralski et al.	
D663,580	S	7/2012	Vagnby	
8,234,974	B2	8/2012	Hanlon	
D677,525	S	3/2013	Luebke	
2009/0211461	A1	8/2009	Berger	
2009/0293740	A1	12/2009	Sanchez De Leon Rodriguez Roda	
2012/0288602	A1 *	11/2012	Diatlo et al.	426/489
2012/0312176	A1	12/2012	Ippolito et al.	
2013/0164423	A1	6/2013	Diatlo et al.	

* cited by examiner

Primary Examiner — Ian Simmons

Assistant Examiner — Shannon Morgan

(74) *Attorney, Agent, or Firm* — Lazaris IP

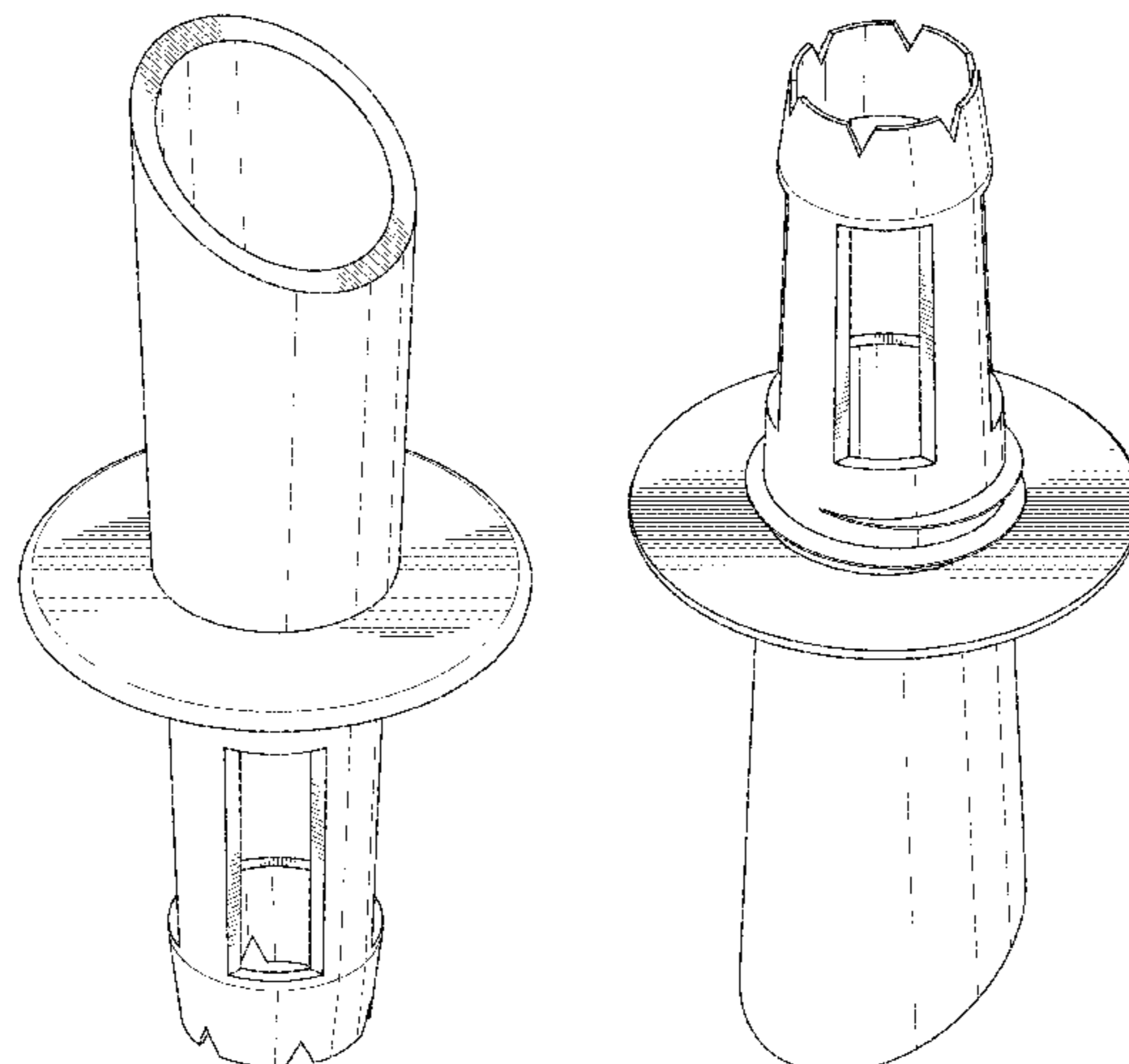
(57) **CLAIM**

The ornamental design for a juice extractor, as shown and described.

DESCRIPTION

FIG. 1 is a top, front, right side perspective view of a juice extractor showing our new design;
FIG. 2 is a bottom, rear, left side perspective view thereof;
FIG. 3 is a front elevational view thereof;
FIG. 4 is a rear elevational view thereof;
FIG. 5 is a right side elevational view thereof;
FIG. 6 is a left side elevational view thereof;
FIG. 7 is a top plan view thereof; and,
FIG. 8 is a bottom plan view thereof.

1 Claim, 5 Drawing Sheets



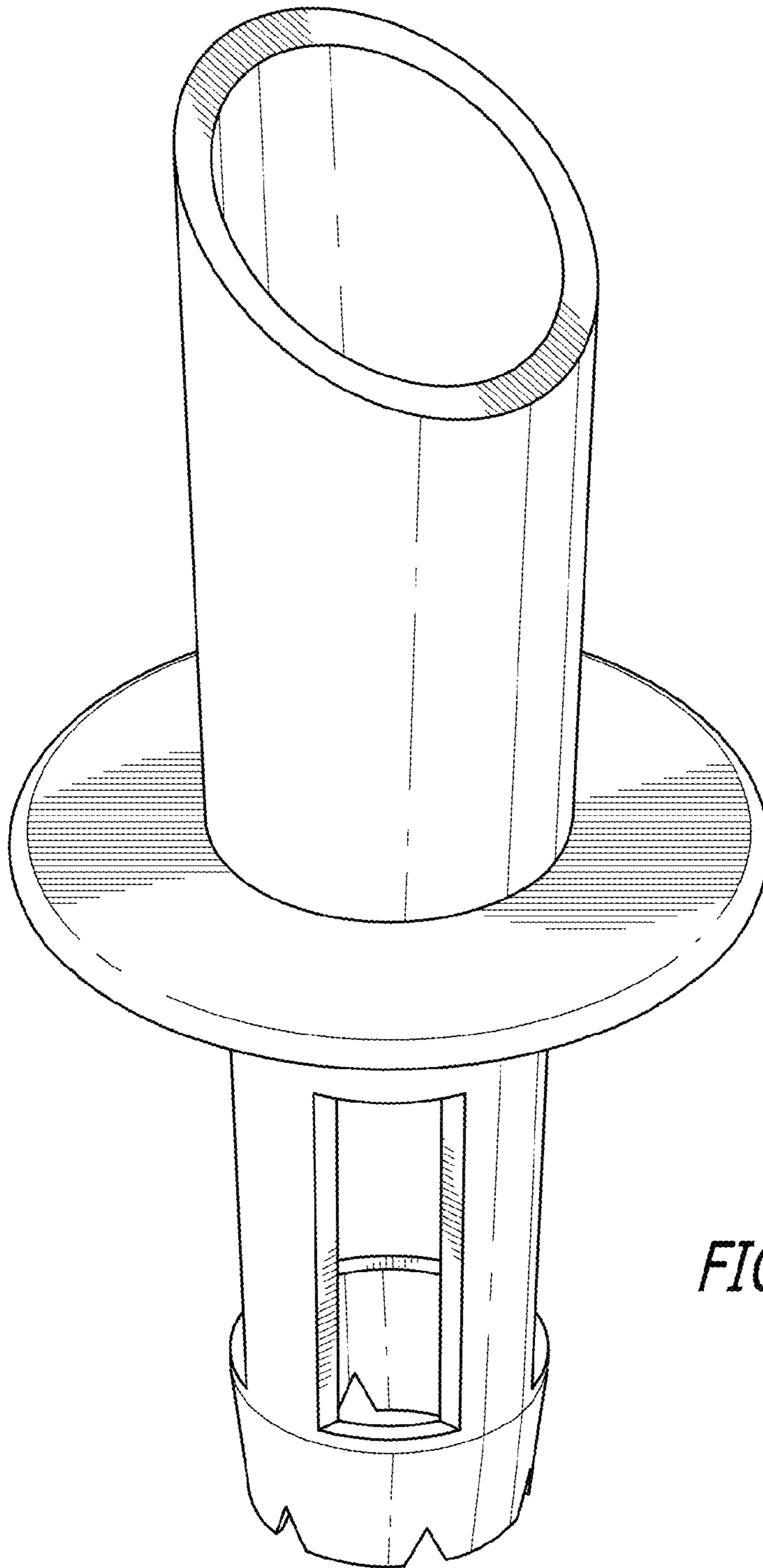


FIG. 1

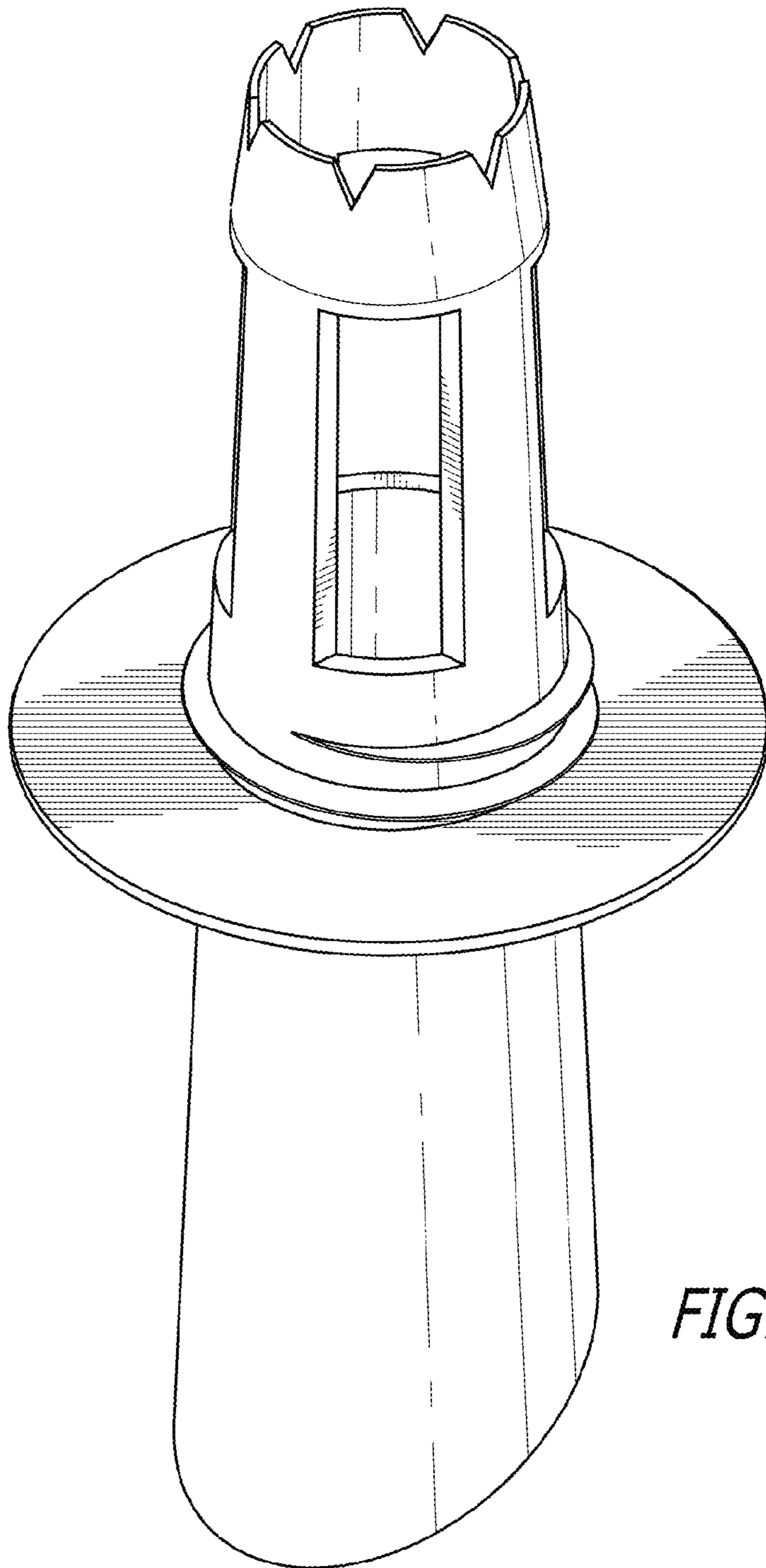


FIG. 2

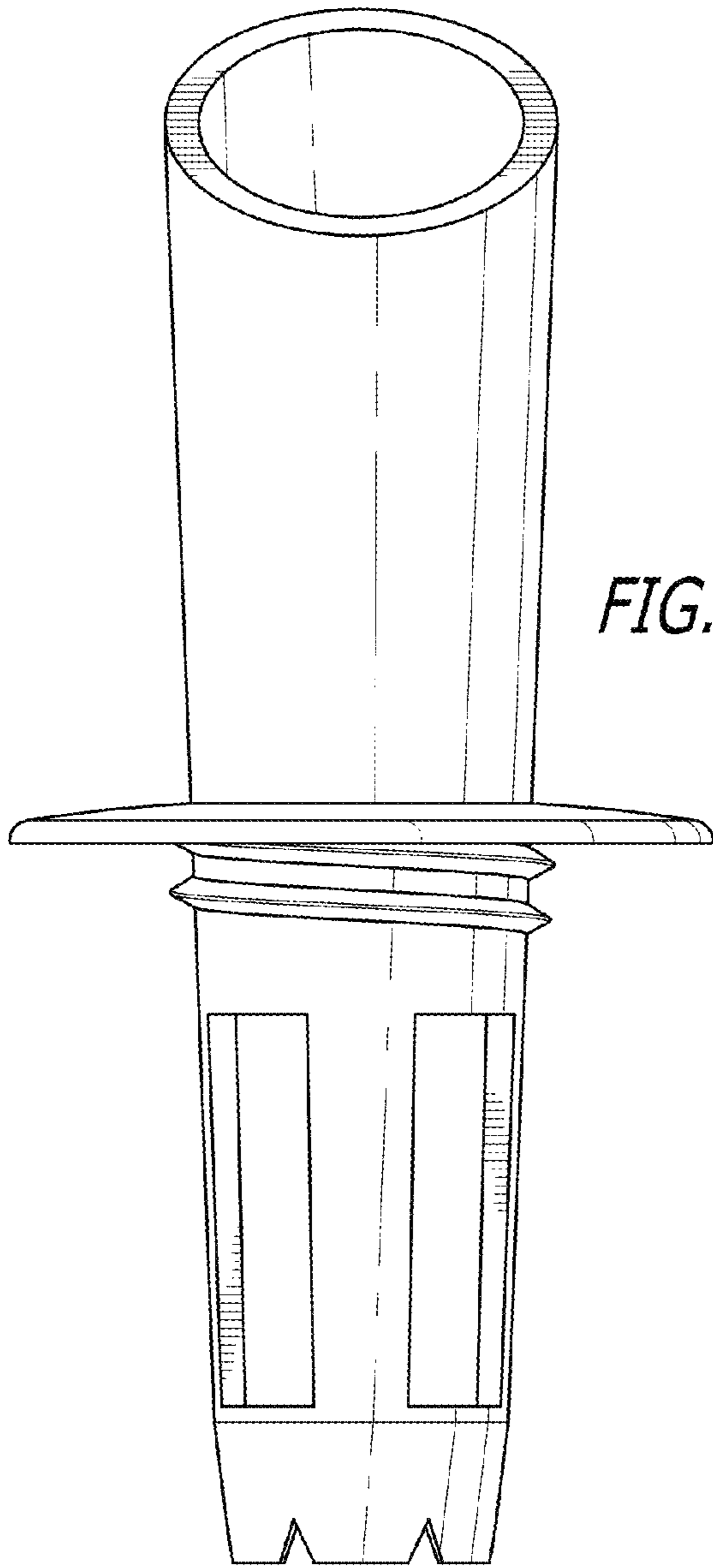


FIG. 3

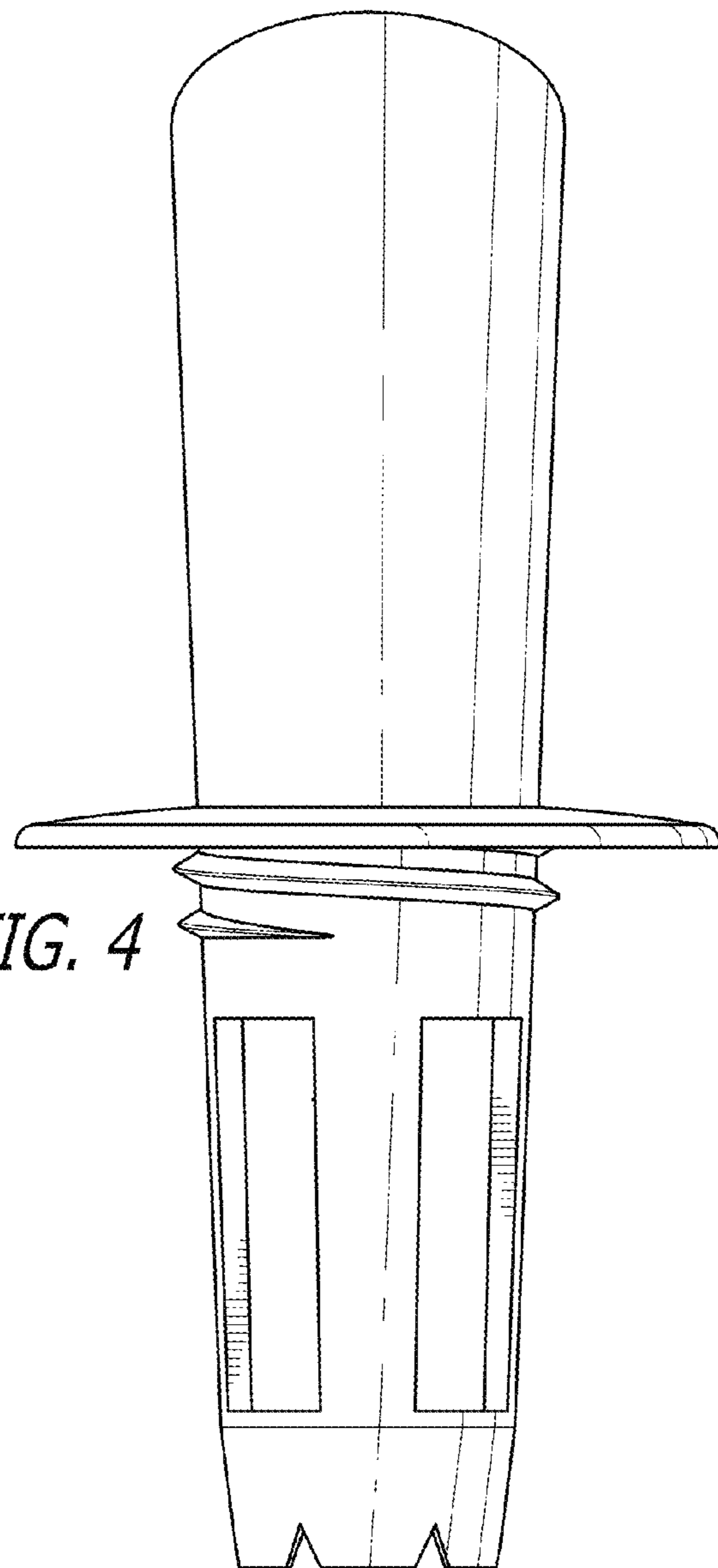


FIG. 4

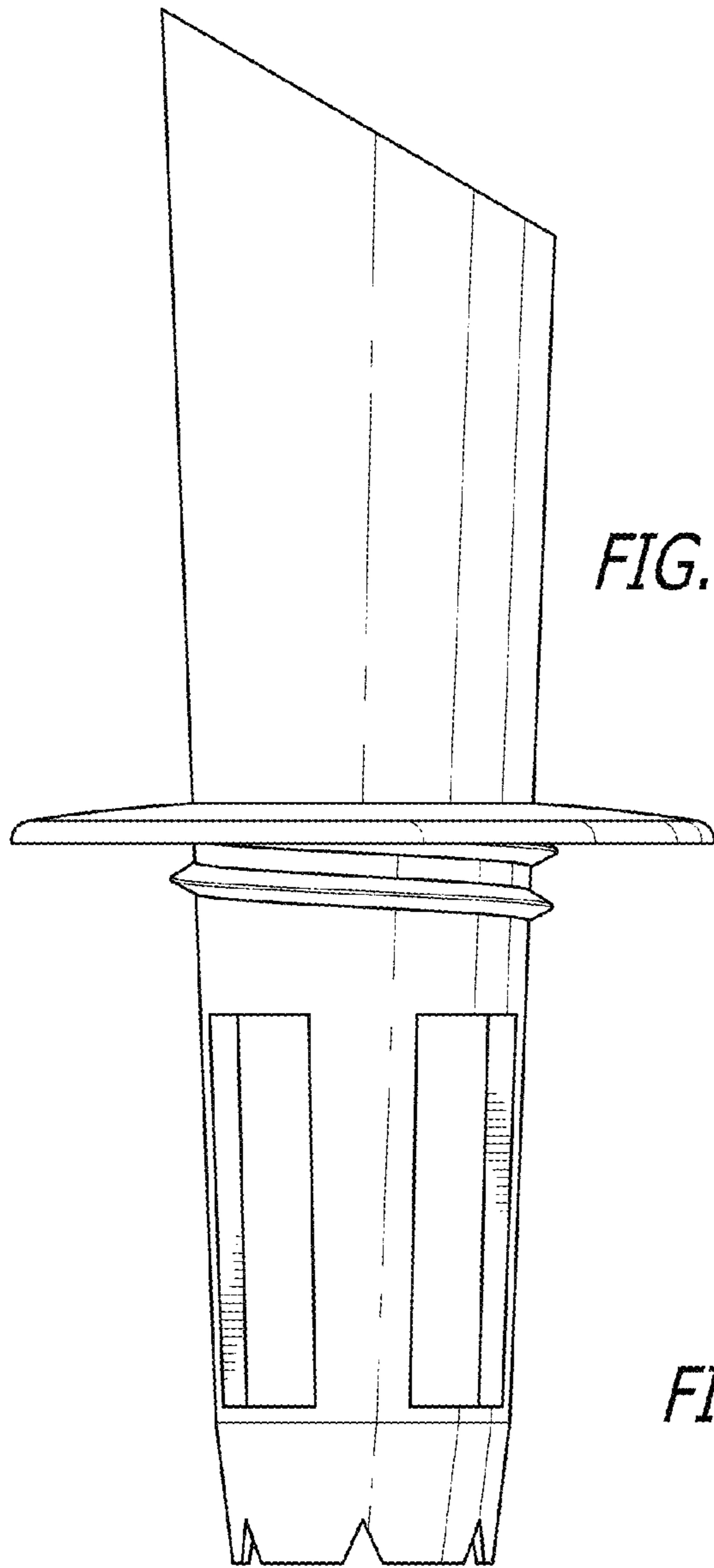


FIG. 5

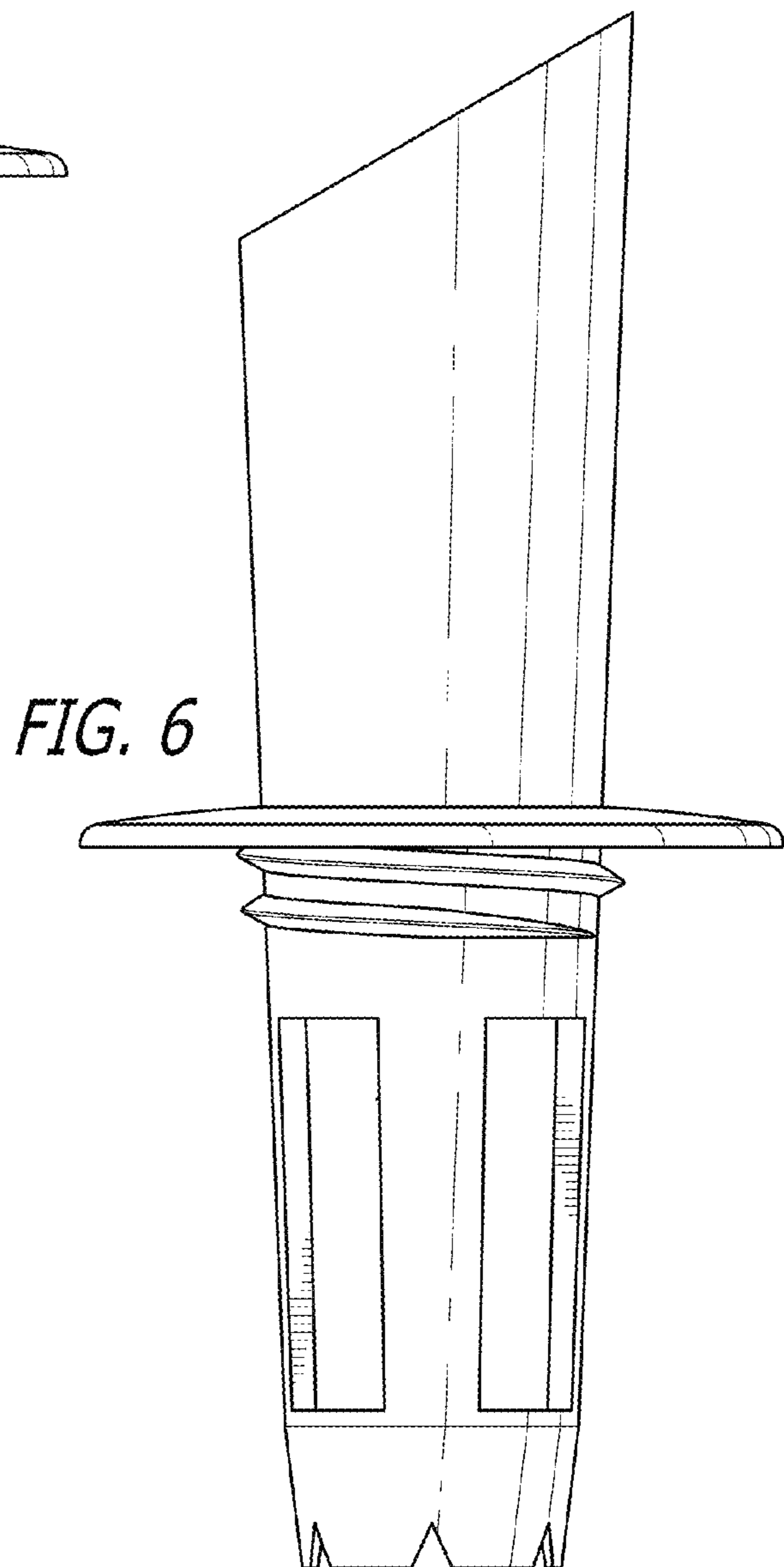


FIG. 6

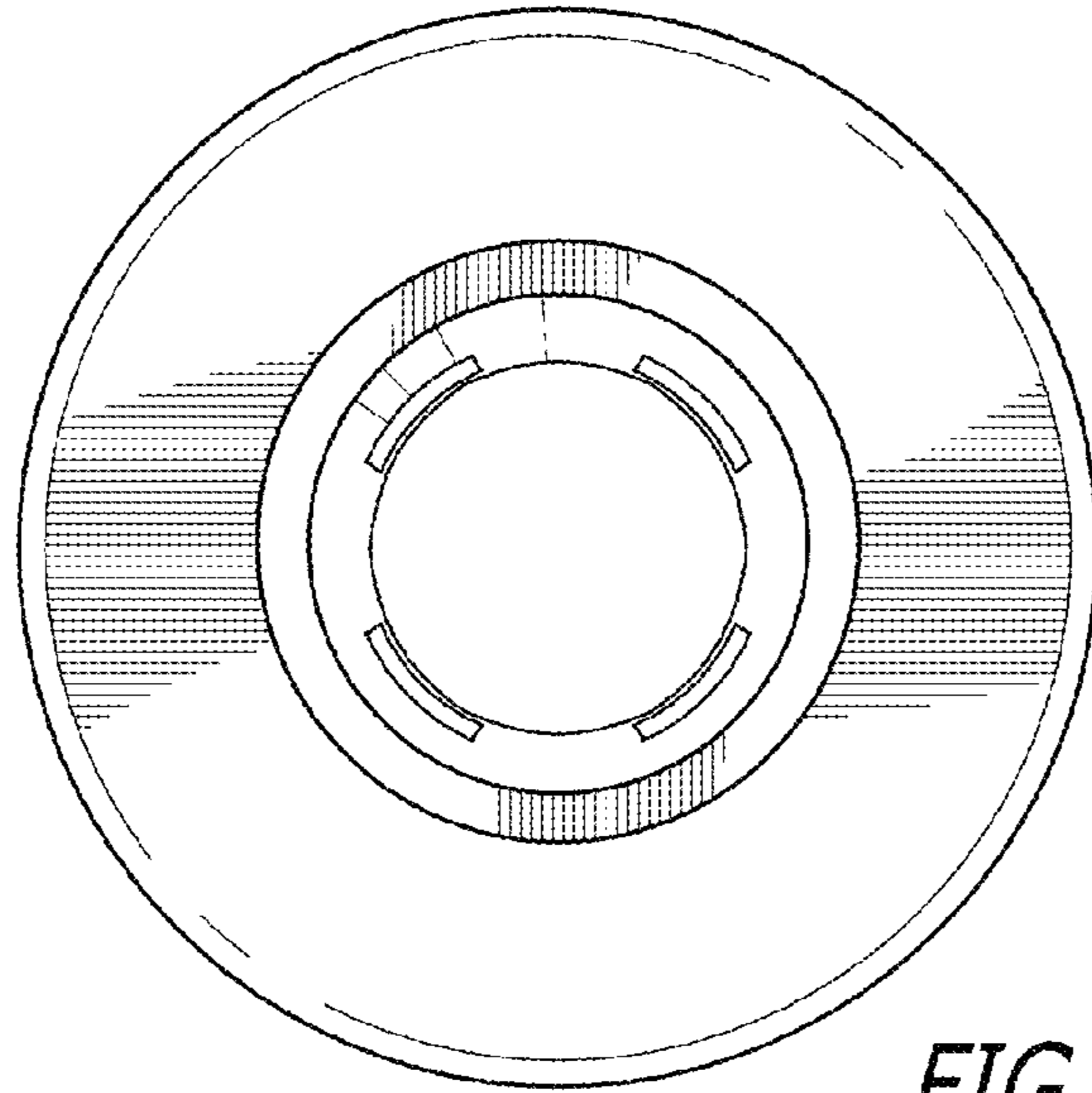


FIG. 7

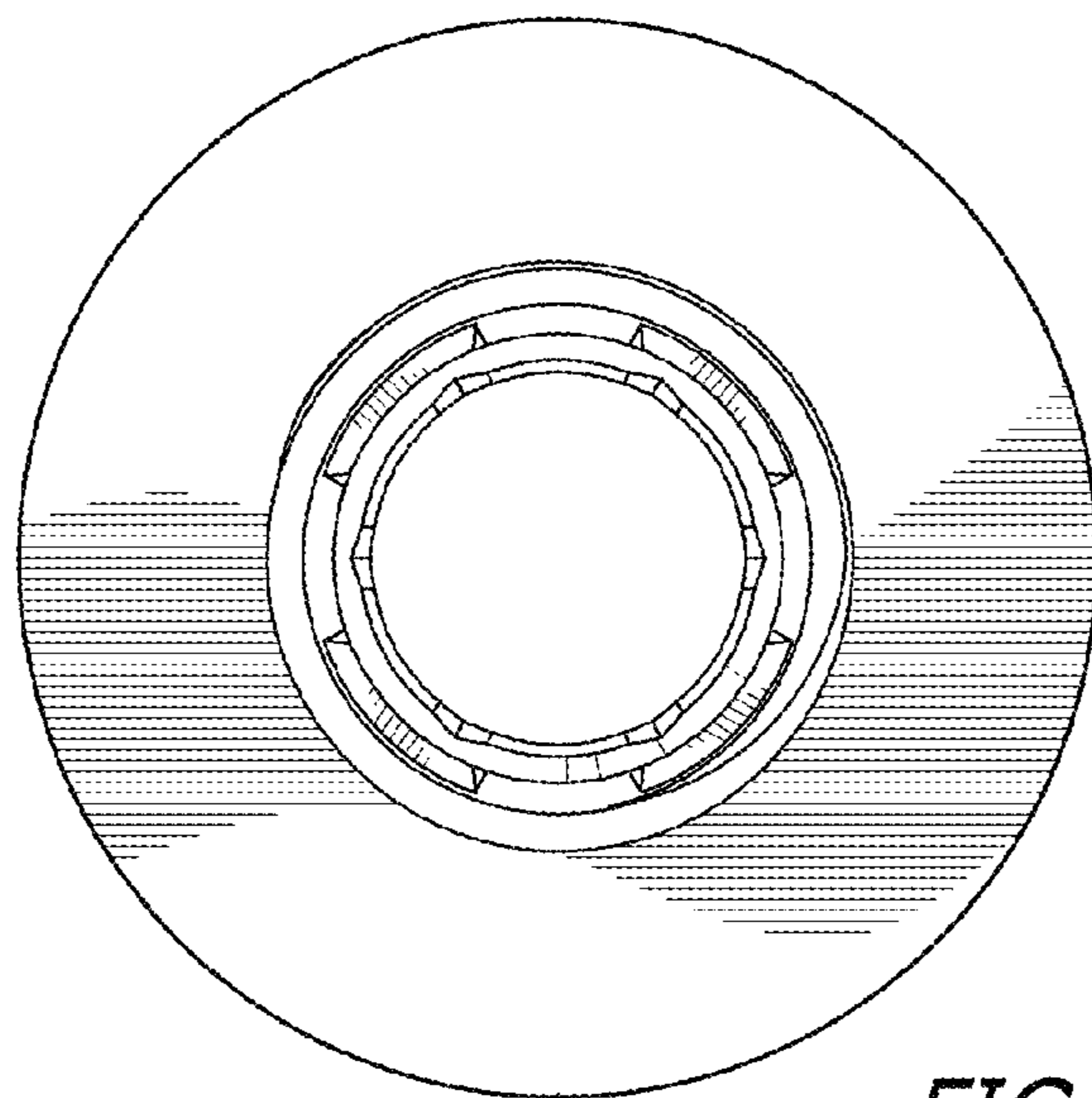


FIG. 8