



US00D707498S

(12) **United States Design Patent**
Wilson

(10) **Patent No.:** **US D707,498 S**
(45) **Date of Patent:** **** Jun. 24, 2014**

- (54) **CUP HANDLE**
- (71) Applicant: **Target Brands, Inc.**, Minneapolis, MN (US)
- (72) Inventor: **Jessica Mary Wilson**, Minneapolis, MN (US)
- (73) Assignee: **Target Brands, Inc.**, Minneapolis, MN (US)

- D476,849 S 7/2003 Randolph
- D504,049 S 4/2005 Morano et al.
- D513,932 S 1/2006 De Oliveira
- D515,867 S 2/2006 Randolph et al.
- 7,086,556 B1 * 8/2006 Trulove-Cranor 220/740
- D551,021 S 9/2007 Rouso et al.

(Continued)

Primary Examiner — Terry Wallace

(74) *Attorney, Agent, or Firm* — Griffiths & Seaton PLLC; JoAnn M. Seaton

- (**) Term: **14 Years**
- (21) Appl. No.: **29/449,030**

(57) **CLAIM**
The ornamental design for a cup handle, as shown and described.

- (22) Filed: **Mar. 14, 2013**
- (51) **LOC (10) Cl.** **07-06**
- (52) **U.S. Cl.**
USPC **D7/622**
- (58) **Field of Classification Search**
CPC A47G 23/0216
USPC D7/619.1–625, 533–536, 396.2;
248/309.1, 311.2, 145.6; 215/393–396;
211/71.01, 74, 75, 90.03, 85.31;
220/737–741, 752–758
See application file for complete search history.

DESCRIPTION

FIG. 1 is a front, perspective view of a cup handle showing our new design;
 FIG. 2 is a front view thereof;
 FIG. 3 is a rear view thereof;
 FIG. 4 is a right side view thereof, the left side view being a mirror image of the right side view;
 FIG. 5 is a top view thereof; and
 FIG. 6 is a bottom view.
 FIG. 7 is a front, perspective view of the cup handle of FIG. 1 showing our new design with additional environmental subject matter;
 FIG. 8 is a front view thereof;
 FIG. 9 is a rear view thereof;
 FIG. 10 is a right side view thereof, the left side view being a mirror image of the right side view;
 FIG. 11 is a top view thereof; and,
 FIG. 12 is a bottom view.

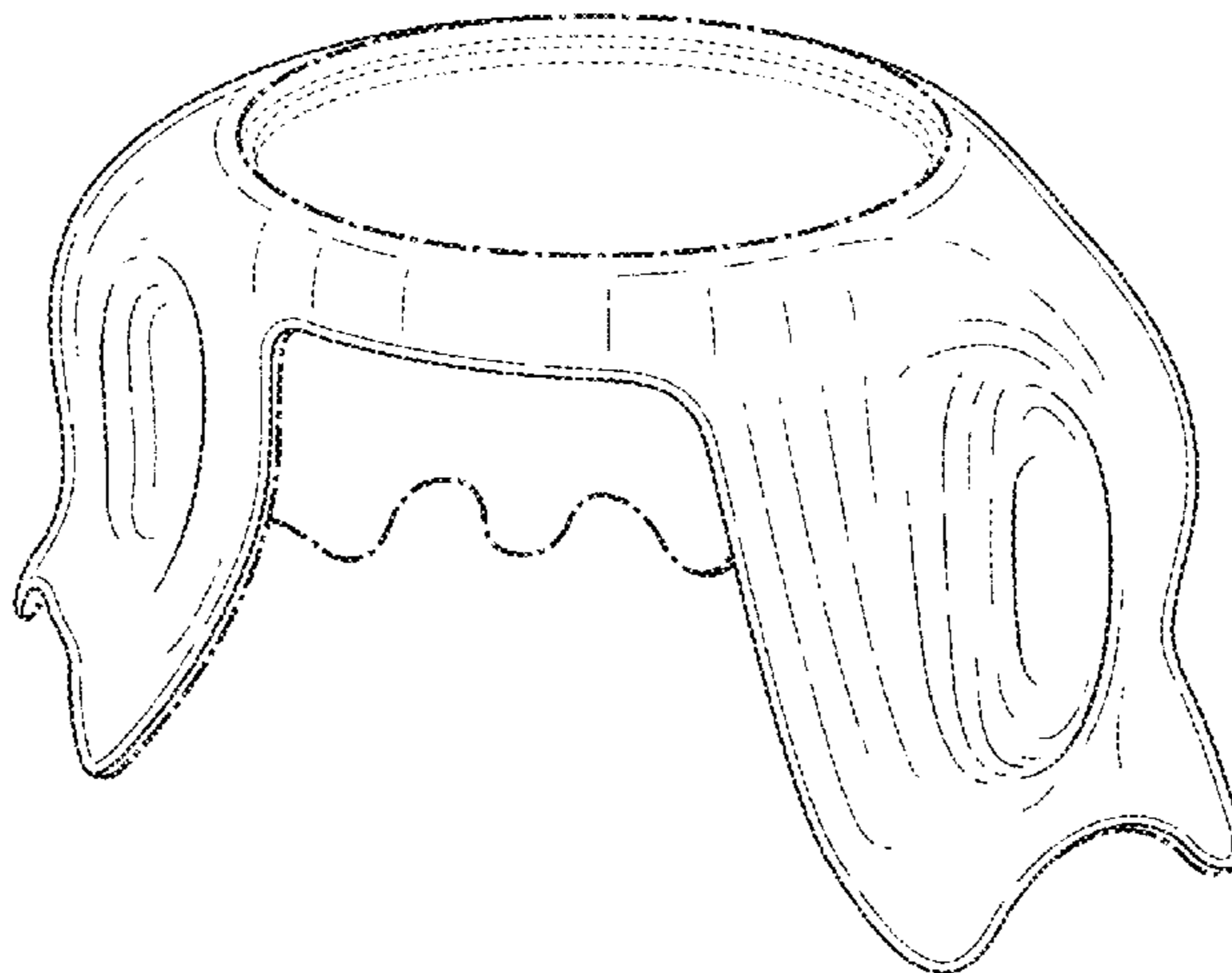
The features shown in broken lines are environmental subject matter to the cup handle or portions of the cup handle forming no part of the claimed design. The features shown in long dash-short dash bolded broken lines indicate the bounds of the claimed design and otherwise form no part of the claimed design.

(56) **References Cited**

U.S. PATENT DOCUMENTS

- 4,986,435 A * 1/1991 Wright 220/737
- D315,213 S 3/1991 Ohnuki
- D323,620 S * 2/1992 Patterson D9/455
- D329,355 S 9/1992 Yagi
- D333,072 S * 2/1993 Hung D7/622
- D366,987 S 2/1996 Allegre
- D368,529 S 4/1996 Allegre
- 5,614,275 A 3/1997 Chan
- D421,878 S 3/2000 Roehrig
- D425,994 S 5/2000 Hakim
- D442,435 S 5/2001 Takagi
- D454,642 S 3/2002 Hakim
- D460,322 S 7/2002 Orr et al.

1 Claim, 12 Drawing Sheets



(56)

References Cited

U.S. PATENT DOCUMENTS

D559,624 S 1/2008 Carreno
D579,721 S 11/2008 Qian
D579,722 S 11/2008 Sakulsacha et al.
7,562,789 B2 7/2009 Randolph et al.
D616,706 S 6/2010 Bofinger et al.

D639,118 S * 6/2011 Huang D7/624.2
D644,067 S 8/2011 Valderrama et al.
D652,248 S 1/2012 Valderrama et al.
D668,914 S 10/2012 Riedel et al.
D673,008 S 12/2012 Valderrama et al.
2007/0163984 A1 7/2007 Nguyen et al.
2007/0278172 A1 12/2007 Hakim

* cited by examiner

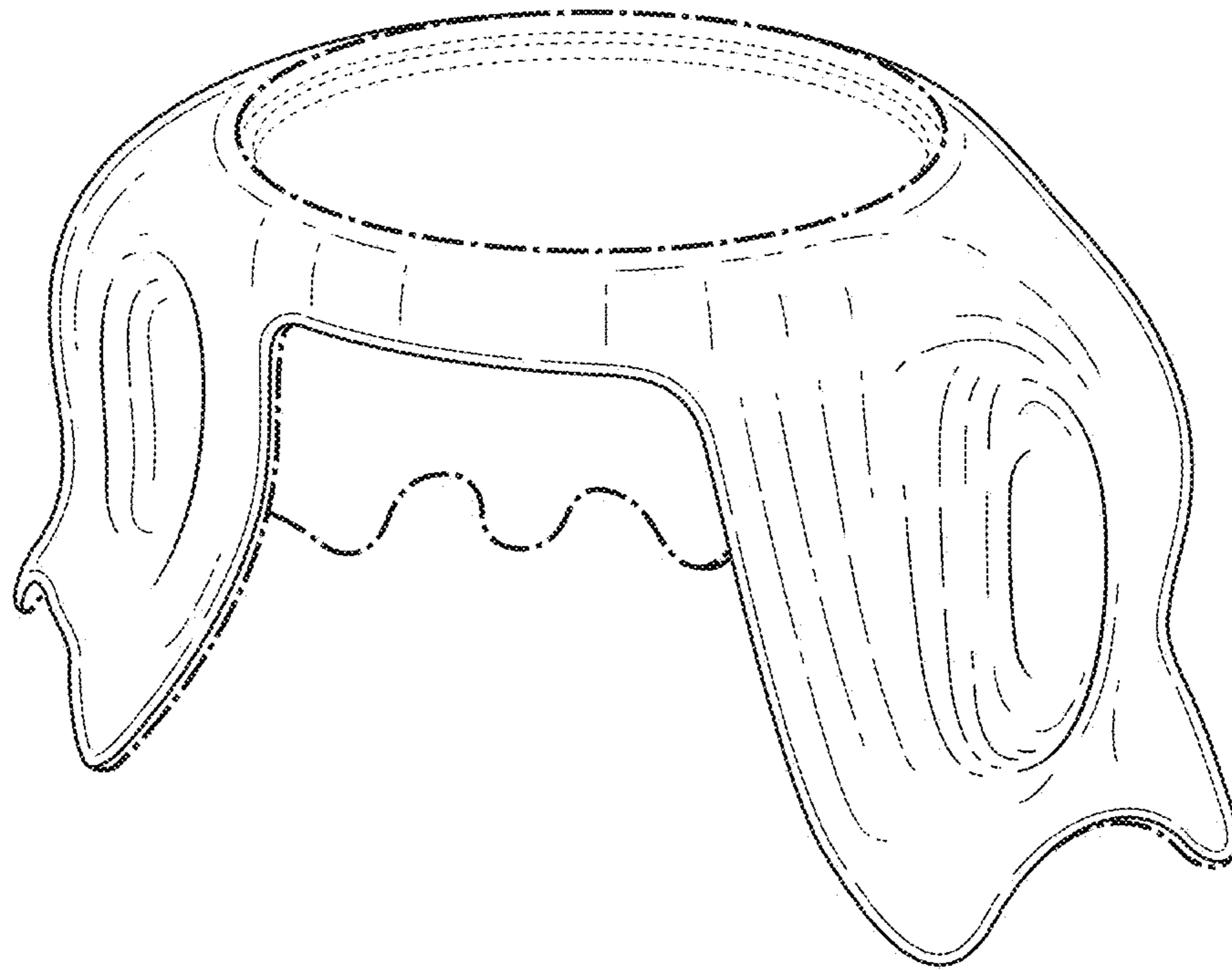


FIG. 1

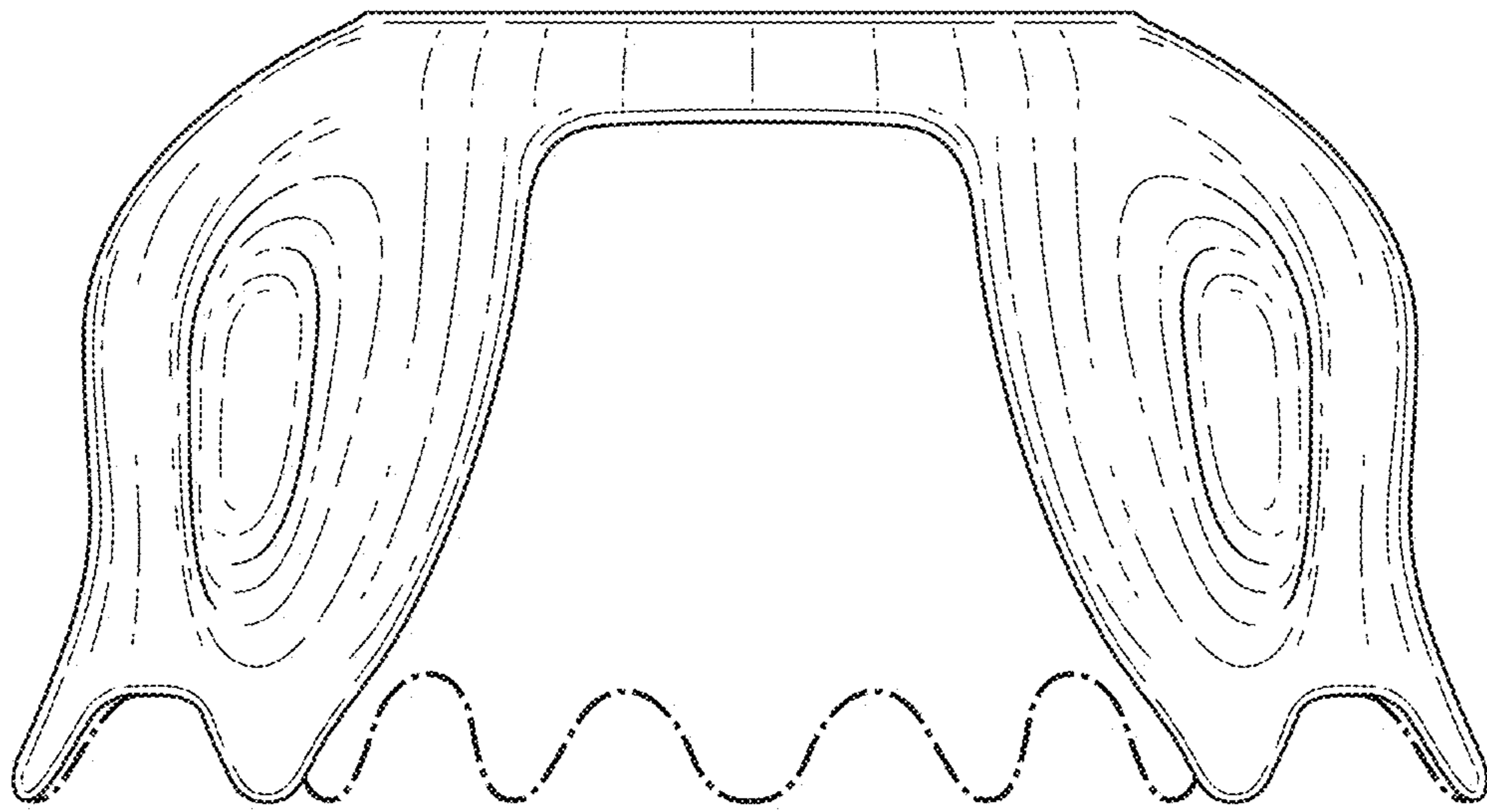


FIG. 2

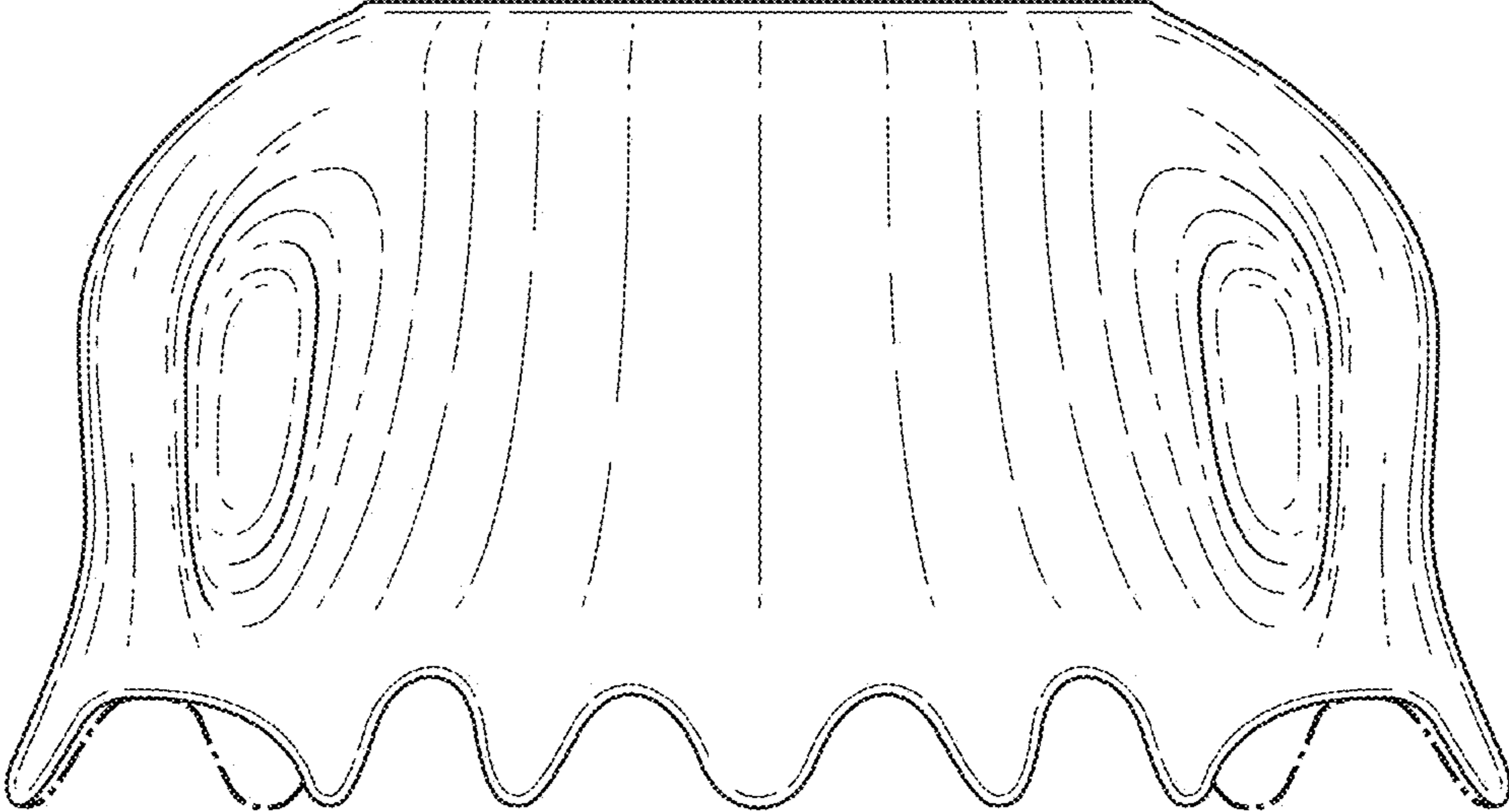


FIG. 3

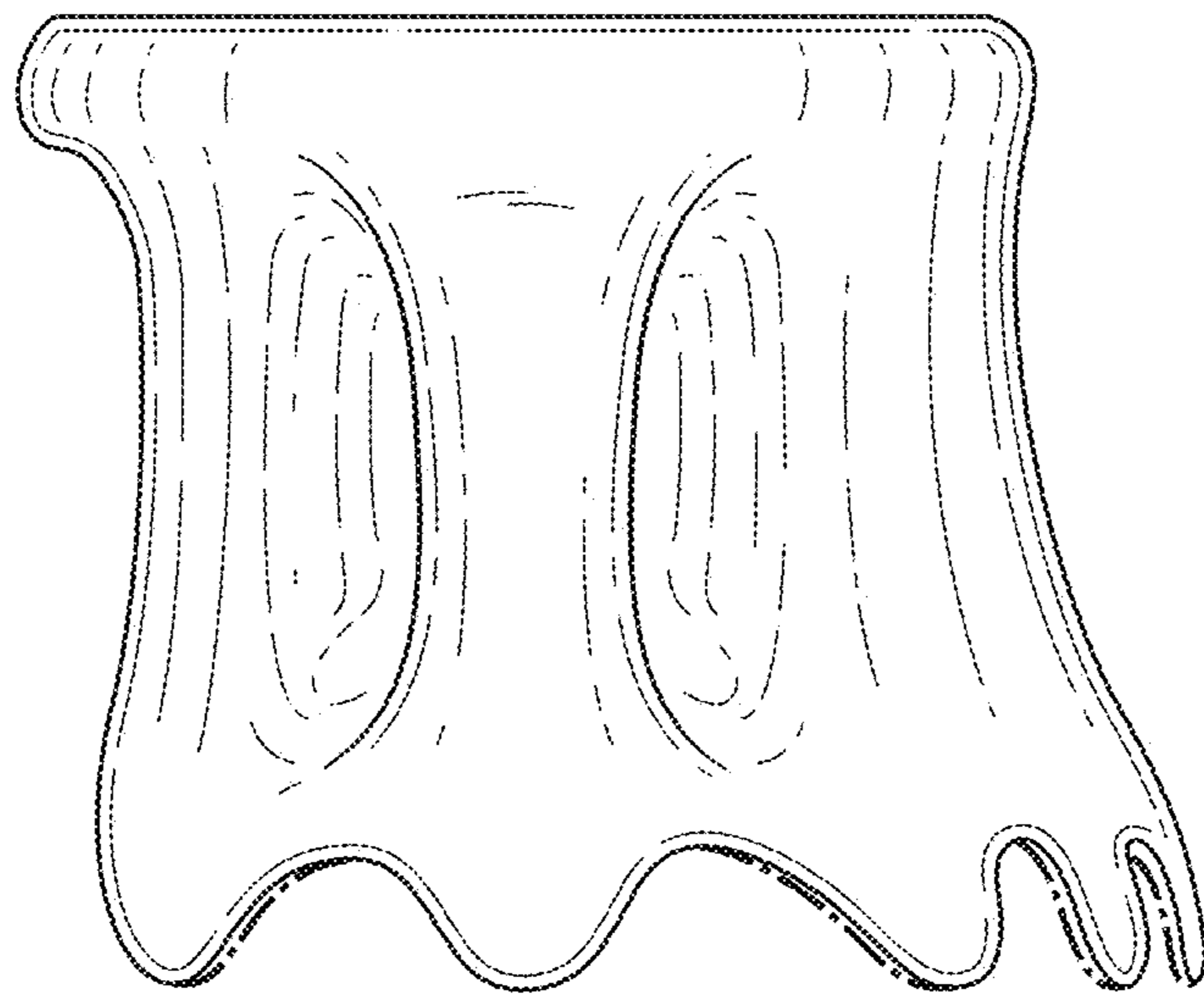


FIG. 4

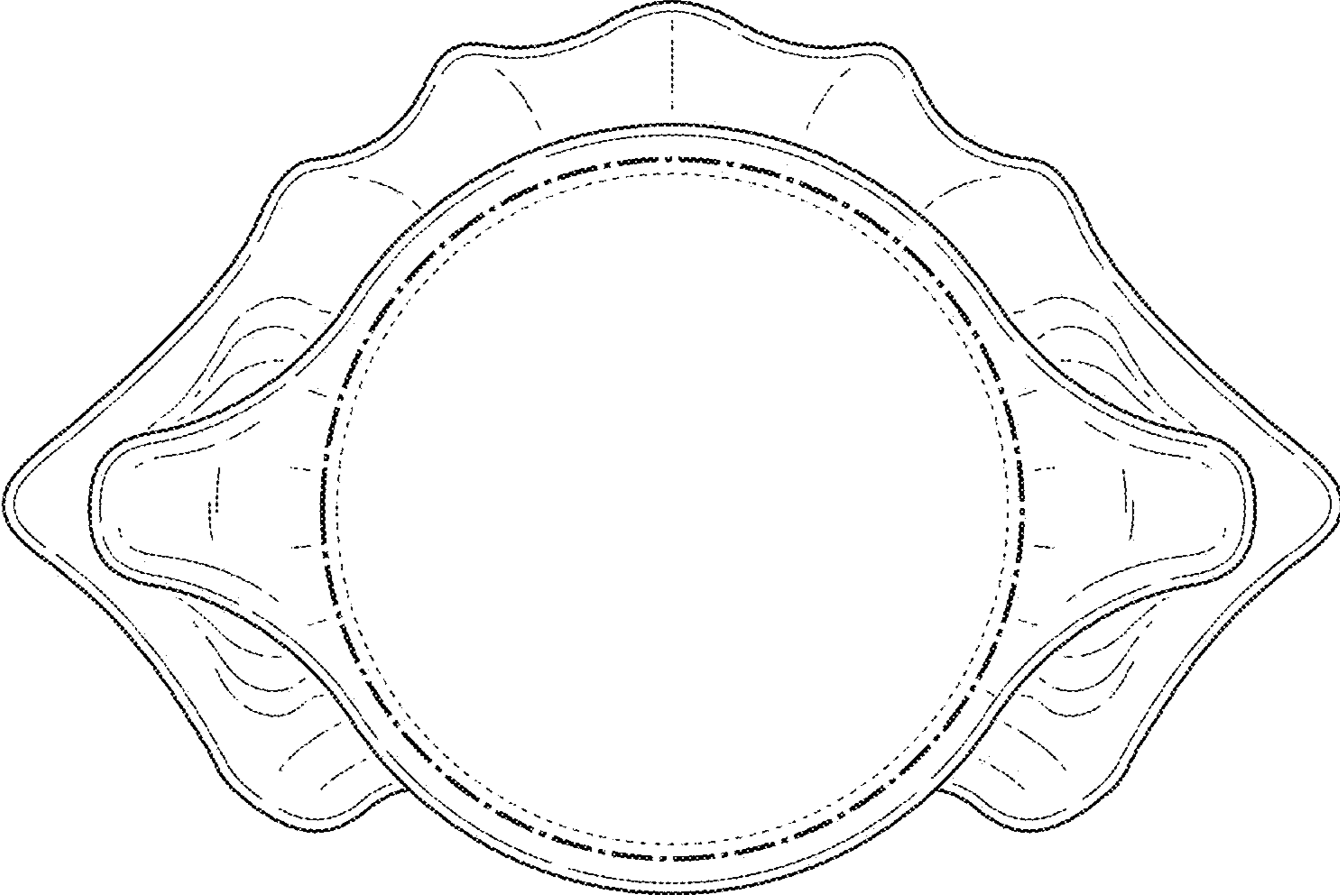


FIG. 5

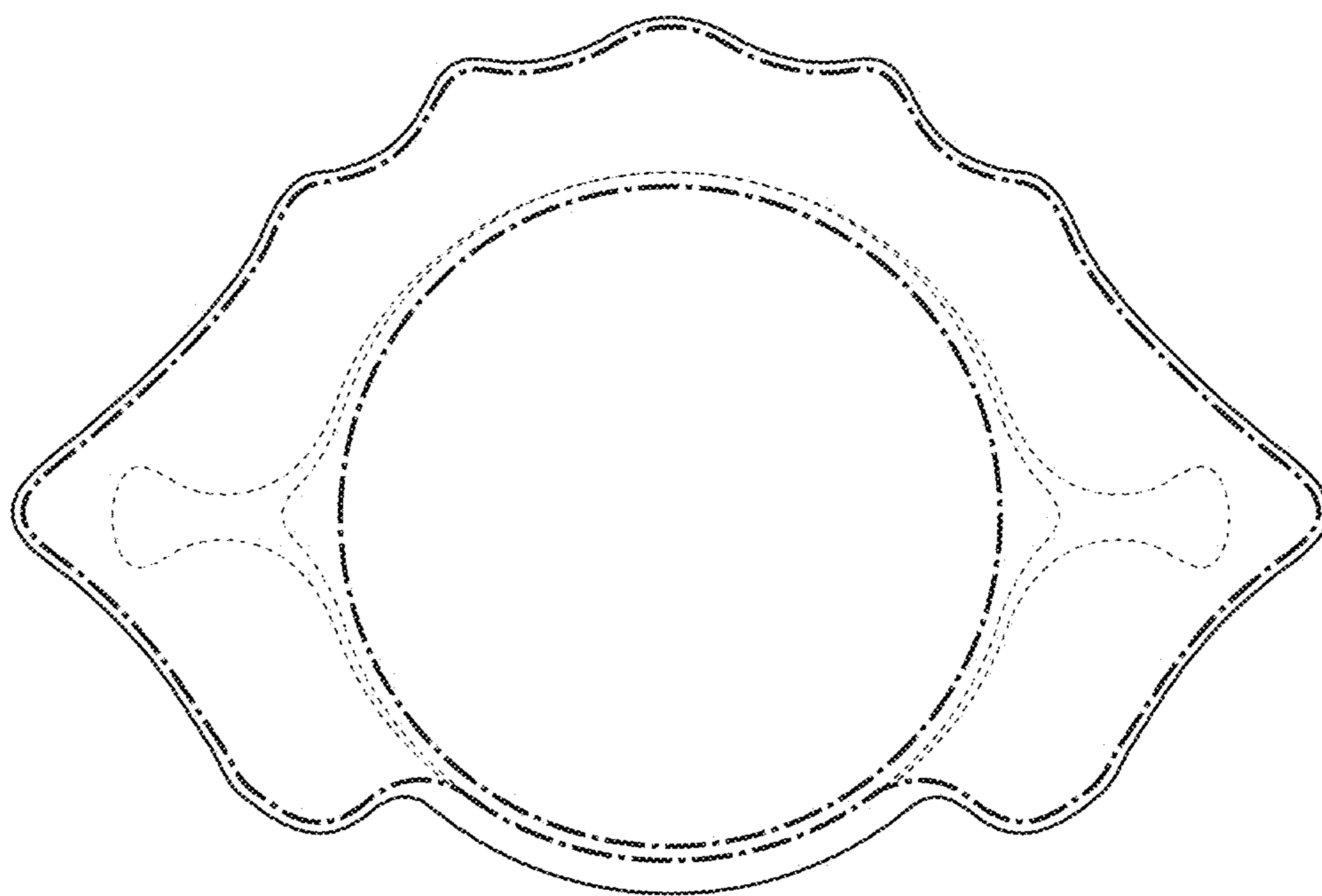


FIG. 6

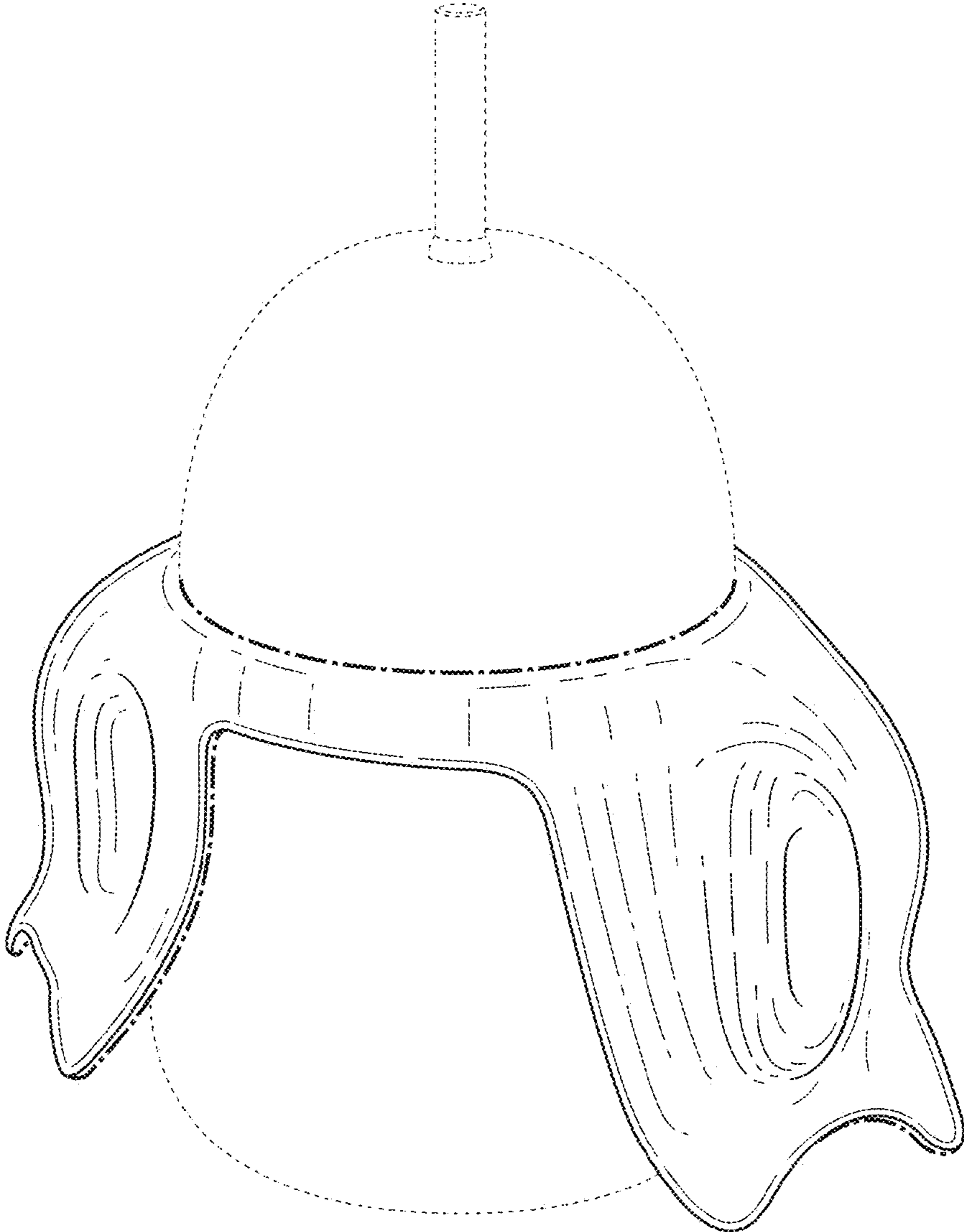


FIG. 7

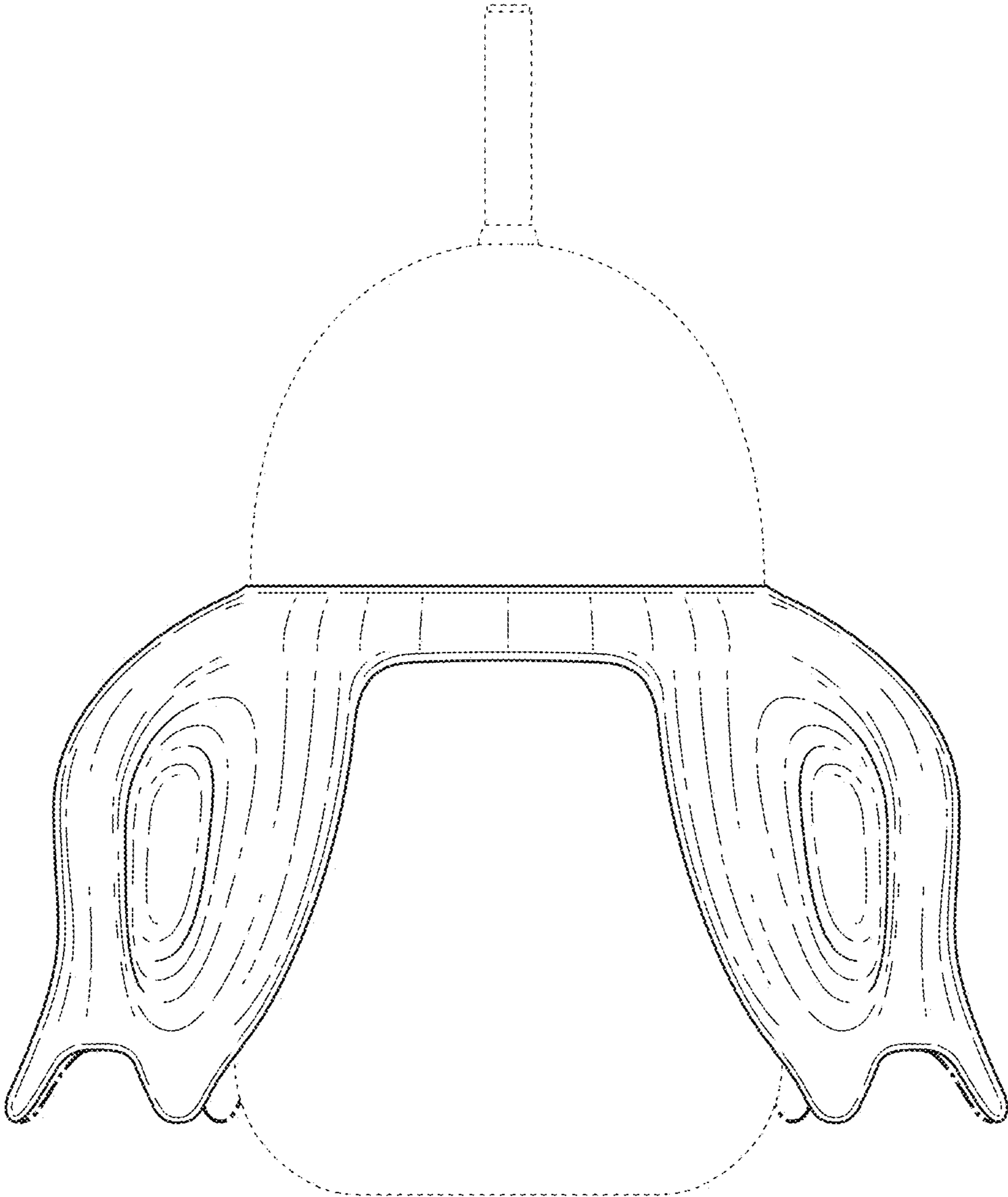


FIG. 8

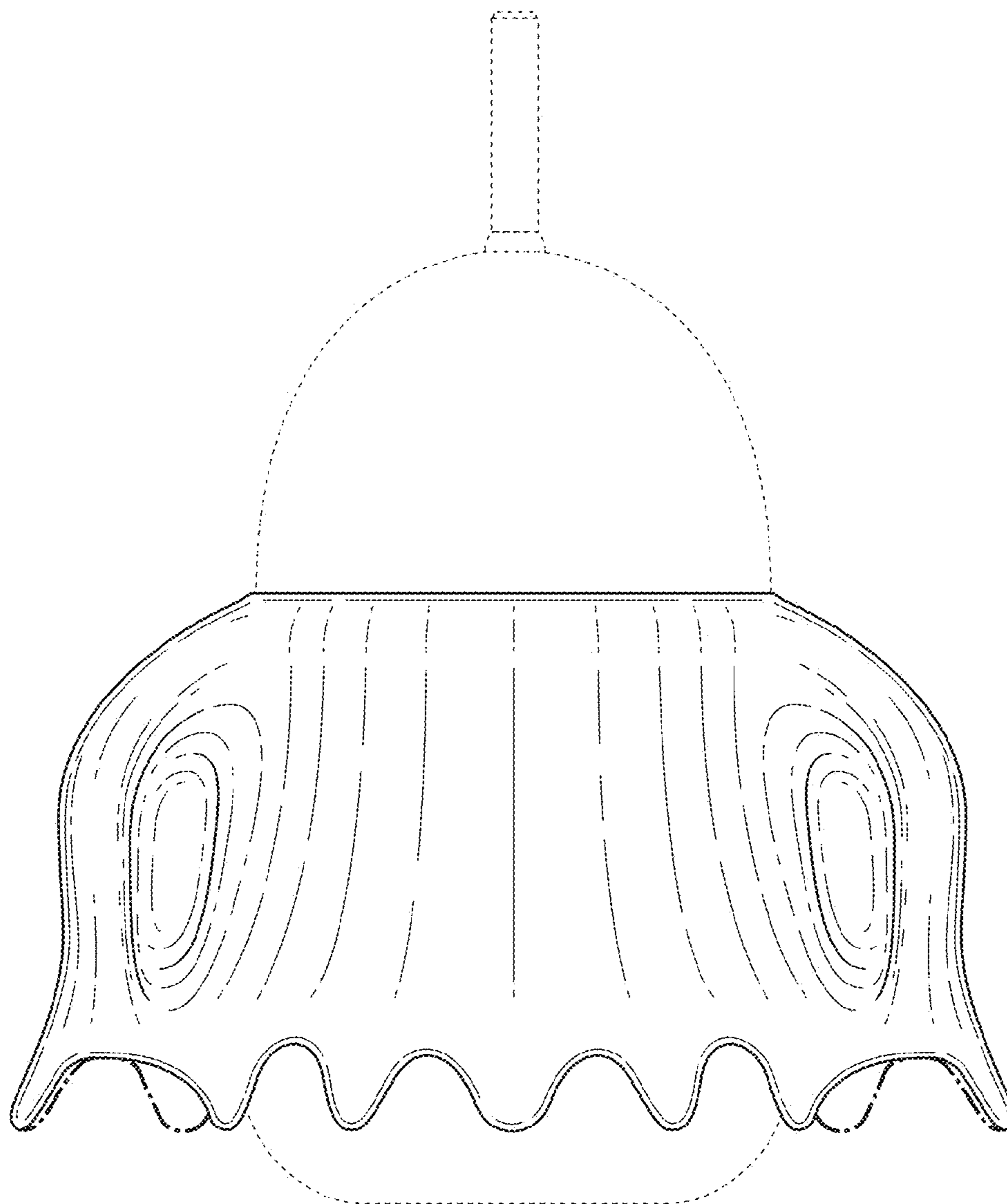


FIG. 9

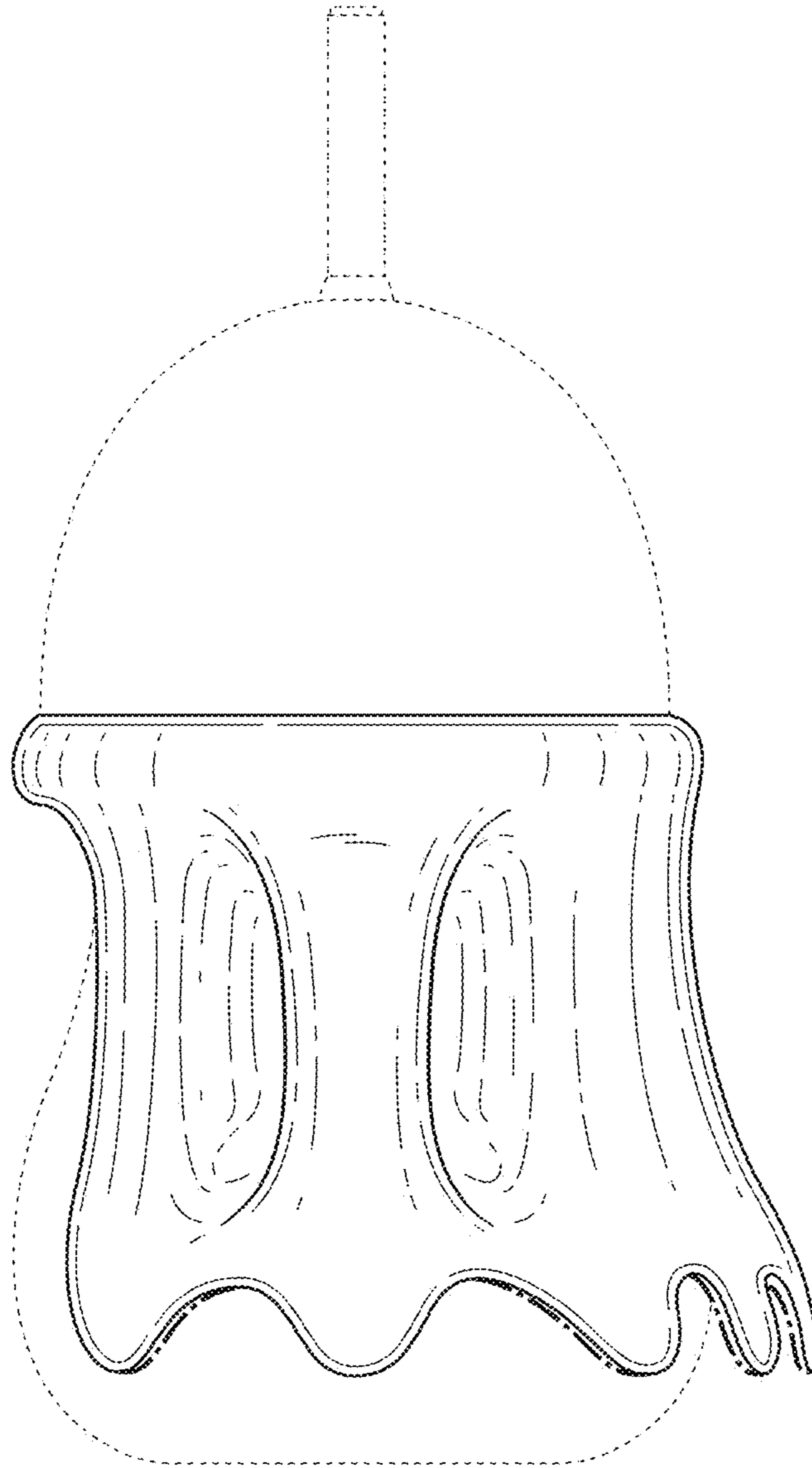


FIG. 10

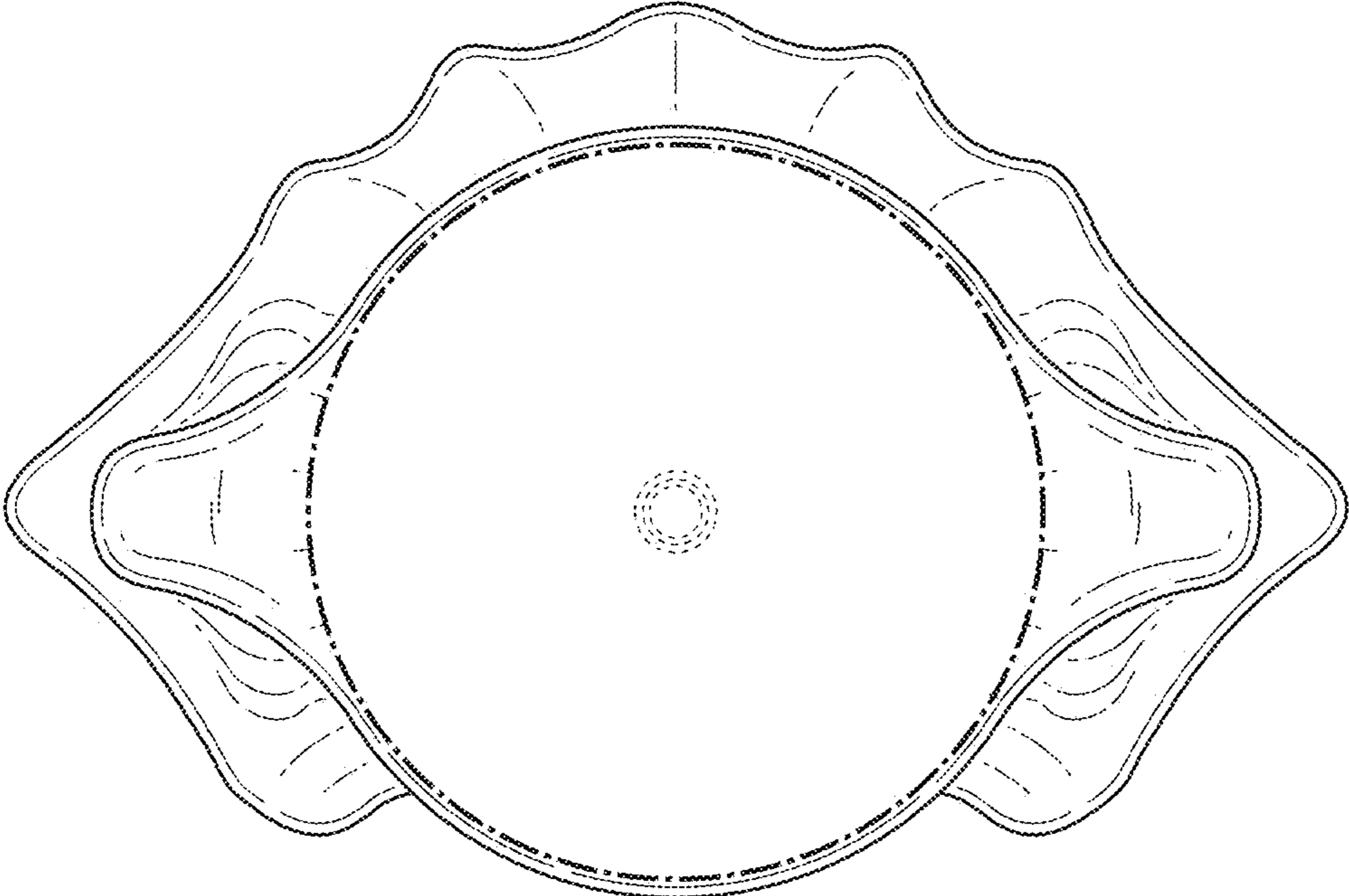


FIG. 11

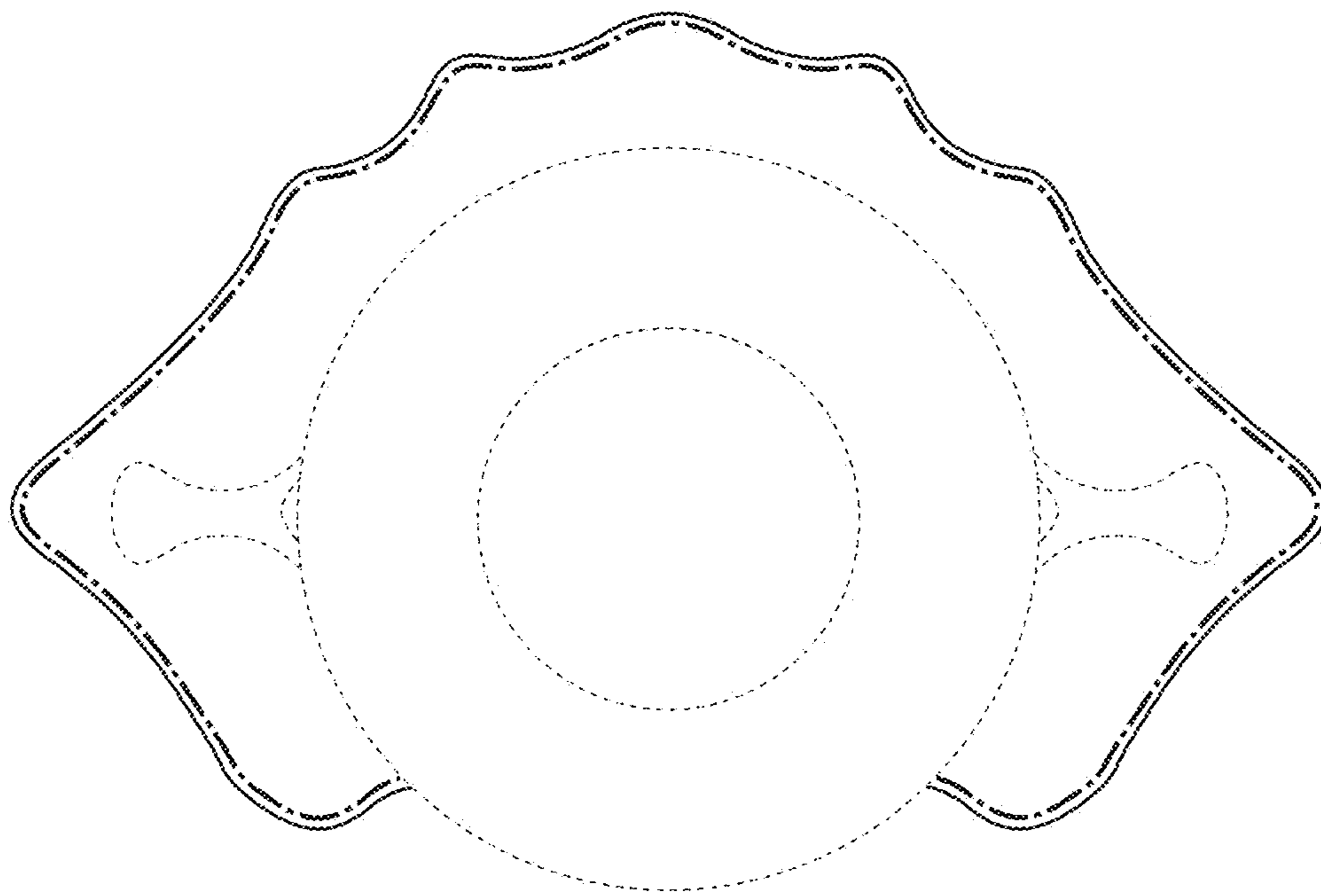


FIG. 12