



US00D707497S

(12) **United States Design Patent**  
**Tello**

(10) **Patent No.:** **US D707,497 S**  
(45) **Date of Patent:** **\*\* Jun. 24, 2014**

(54) **BEER BOTTLE HOLDER**

(75) Inventor: **Ricardo A. Tello**, Santa Fe Springs, CA (US)

(73) Assignee: **Catapaxi Custom Design and Manufacturing LLC**, Carlstadt, NJ (US)

(\*\*) Term: **14 Years**

(21) Appl. No.: **29/421,112**

(22) Filed: **May 24, 2012**

(51) **LOC (10) Cl.** ..... **07-06**

(52) **U.S. Cl.**  
USPC ..... **D7/620**

(58) **Field of Classification Search**

USPC ..... D7/620, 708.1, 601, 622, 624.1, 607, D7/536; 220/737, 703, 23.83, 694; 248/231.81, 311.2, 312, 148, 248/148.1-148.7, 229.16, 313, 315, 146; 211/412; D12/411; 215/386, 390; D20/43, 42, 28; D9/434, 601  
See application file for complete search history.

(56) **References Cited**

U.S. PATENT DOCUMENTS

4,961,555 A \* 10/1990 Egan, Jr. .... 248/231.81  
D322,194 S \* 12/1991 Egan, Jr. .... D7/708.1  
6,019,335 A \* 2/2000 Sehati ..... 248/312  
D449,206 S \* 10/2001 DuBow ..... D7/708.1  
D484,753 S \* 1/2004 Giampavolo ..... D7/620

6,682,034 B1 \* 1/2004 Vial ..... 248/231.81  
D489,577 S \* 5/2004 Giampavolo ..... D7/620  
D517,373 S \* 3/2006 Cappellino et al. .... D7/620  
D559,043 S \* 1/2008 Peota et al. .... D7/620  
D650,691 S \* 12/2011 Miller ..... D9/620  
D650,692 S \* 12/2011 Miller ..... D9/620  
D669,317 S \* 10/2012 Giampavolo et al. .... D7/620  
8,413,838 B2 \* 4/2013 Miller ..... 220/737

\* cited by examiner

*Primary Examiner* — Ian Simmons

*Assistant Examiner* — Eleni Aldridge

(74) *Attorney, Agent, or Firm* — Steven E. Shapiro

(57) **CLAIM**

The ornamental design for a beer bottle holder, as shown and described.

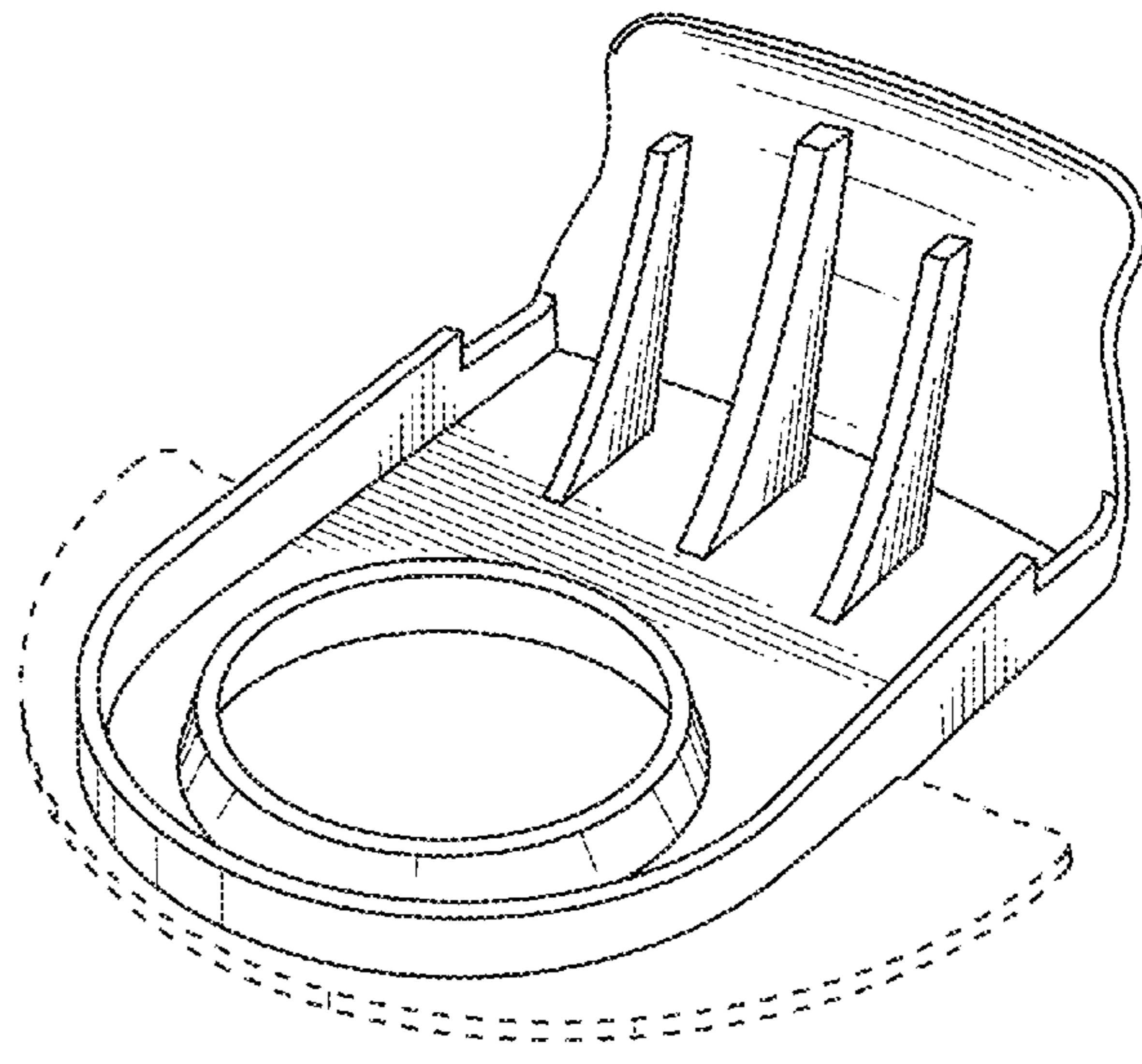
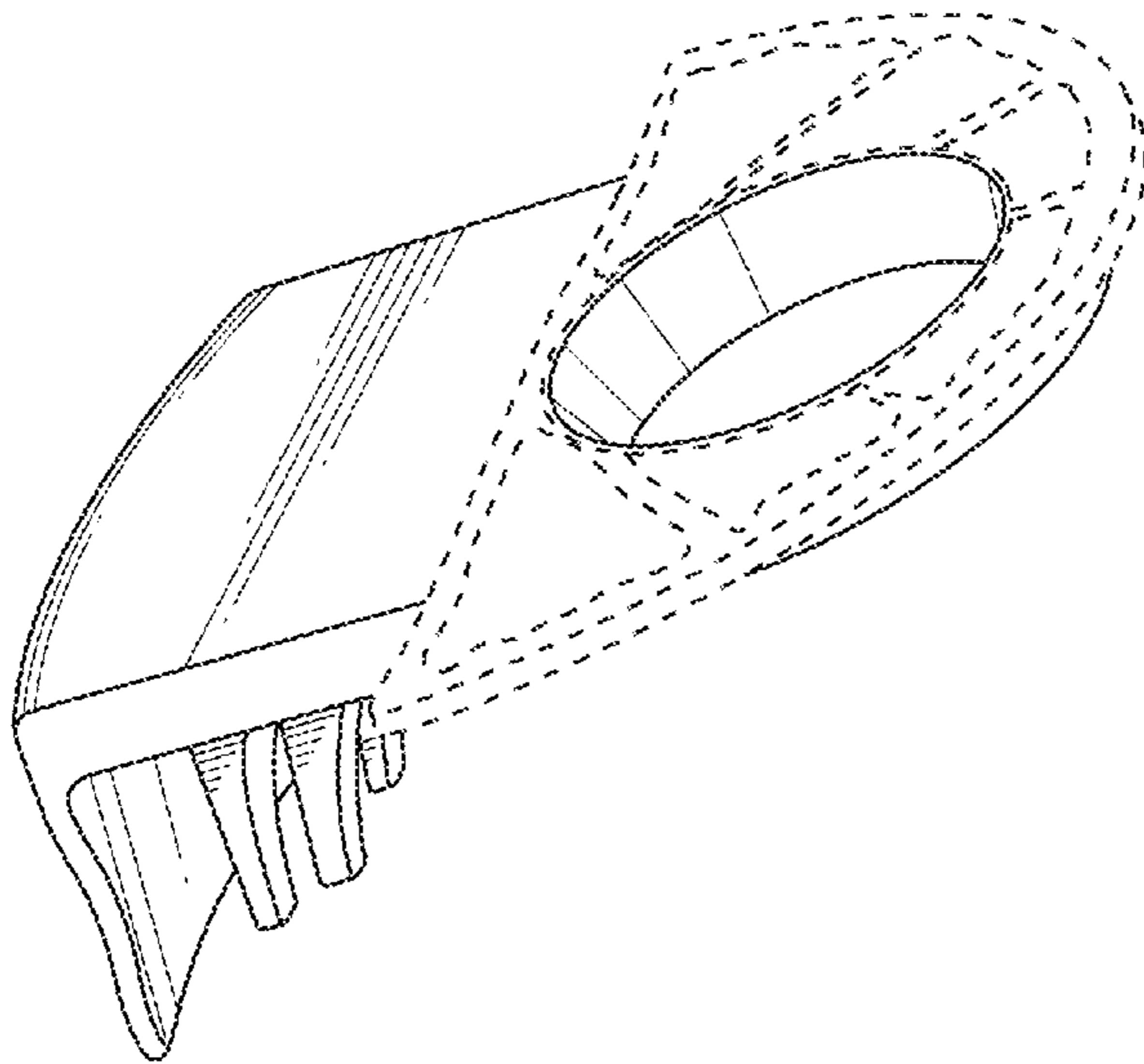
**DESCRIPTION**

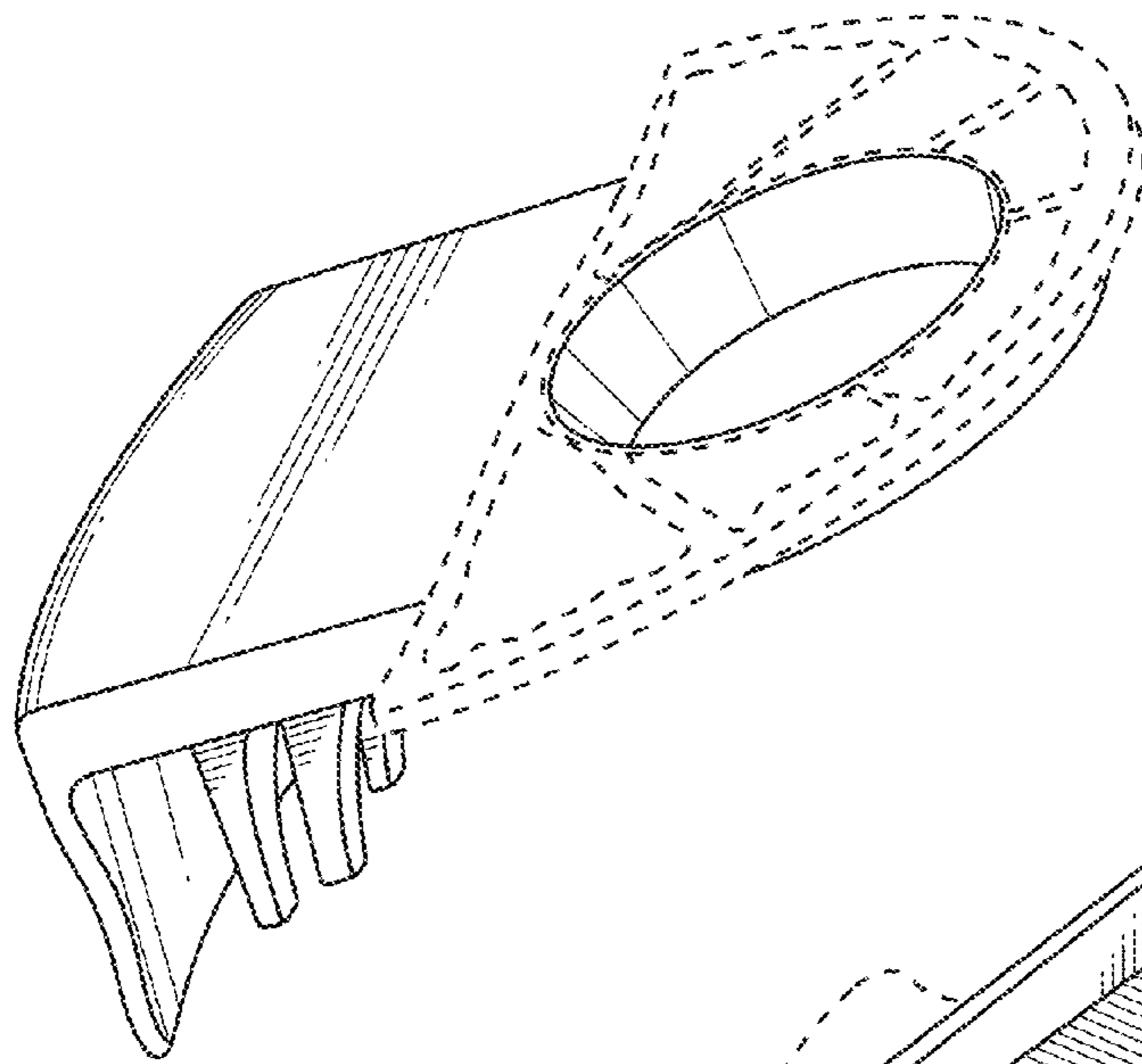
FIG. 1 is a top perspective view of a beer bottle holder; FIG. 2 is a bottom perspective view of the beer bottle holder; FIG. 3 is a top plan view of the beer bottle holder; FIG. 4 is a bottom plan view of the beer bottle holder; FIG. 5 is a right side view of the beer bottle holder; FIG. 6 is a left side view of the beer bottle holder; FIG. 7 is a rear view of the beer bottle holder; and, FIG. 8 is a front view of the beer bottle holder.

The structure depicted with dashed lines in FIGS. 1-8 forms no part of the claimed design.

The broken line is included for the purpose of illustrating portions of the article that form no part of the claimed design.

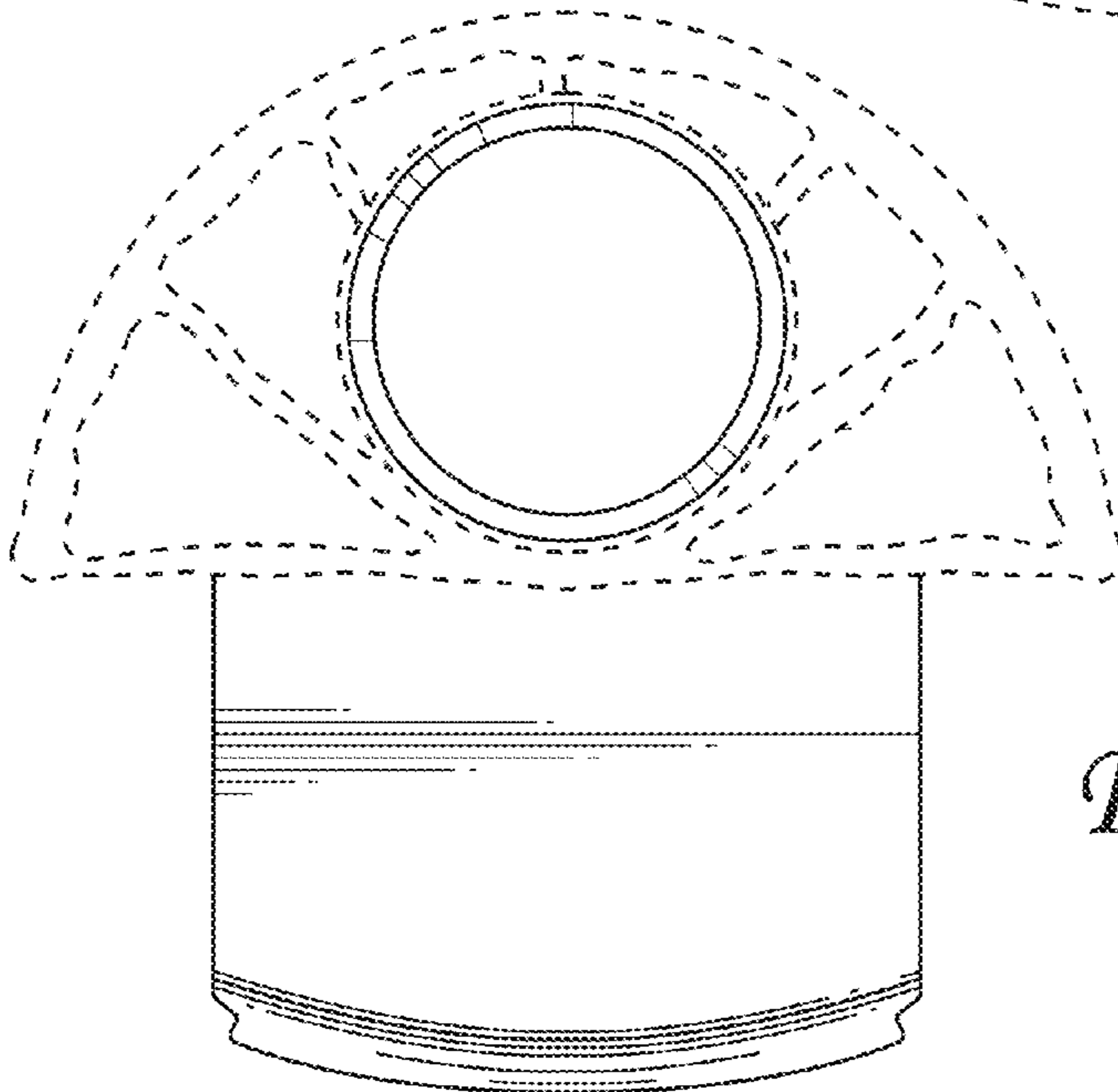
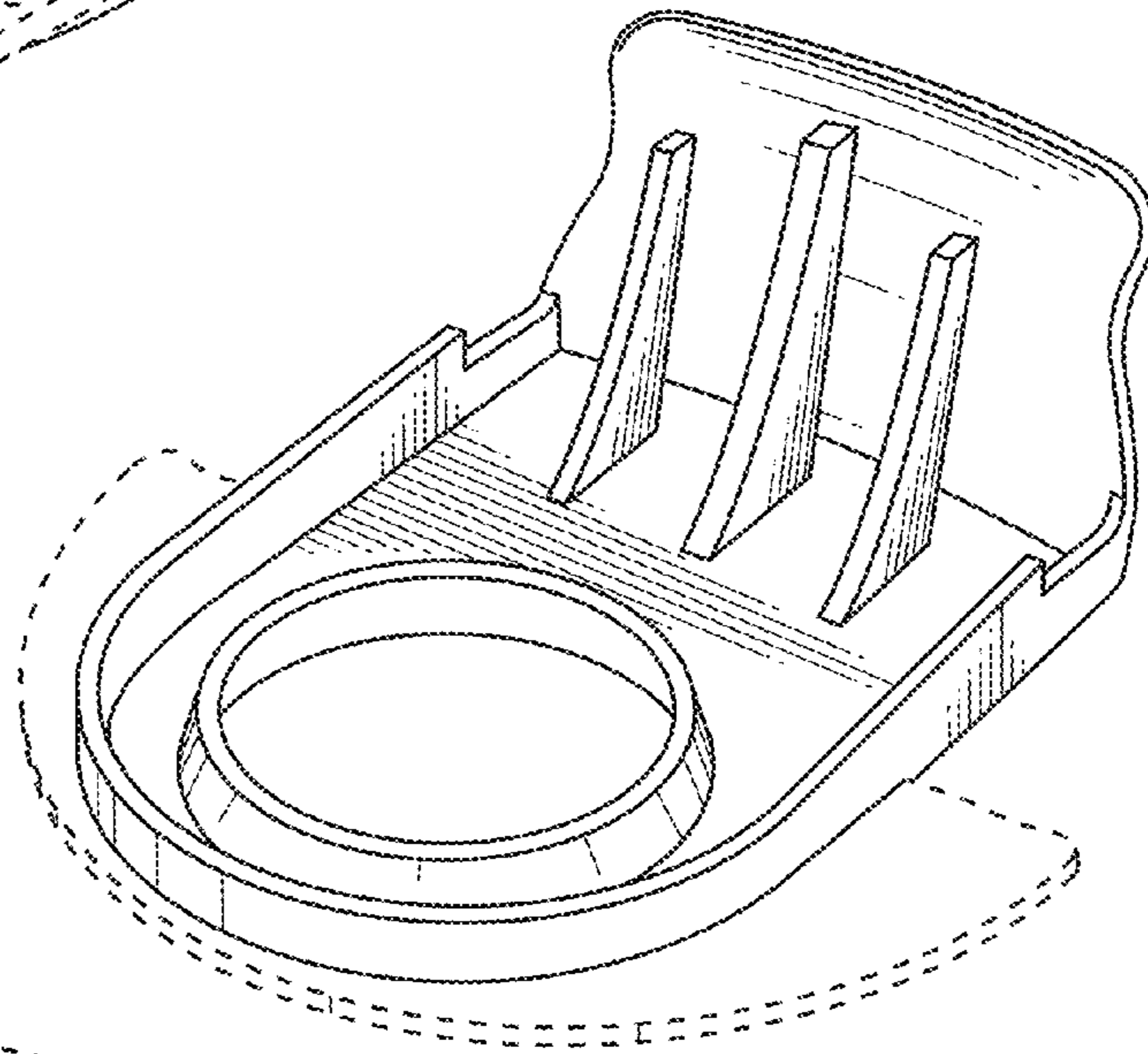
**1 Claim, 3 Drawing Sheets**



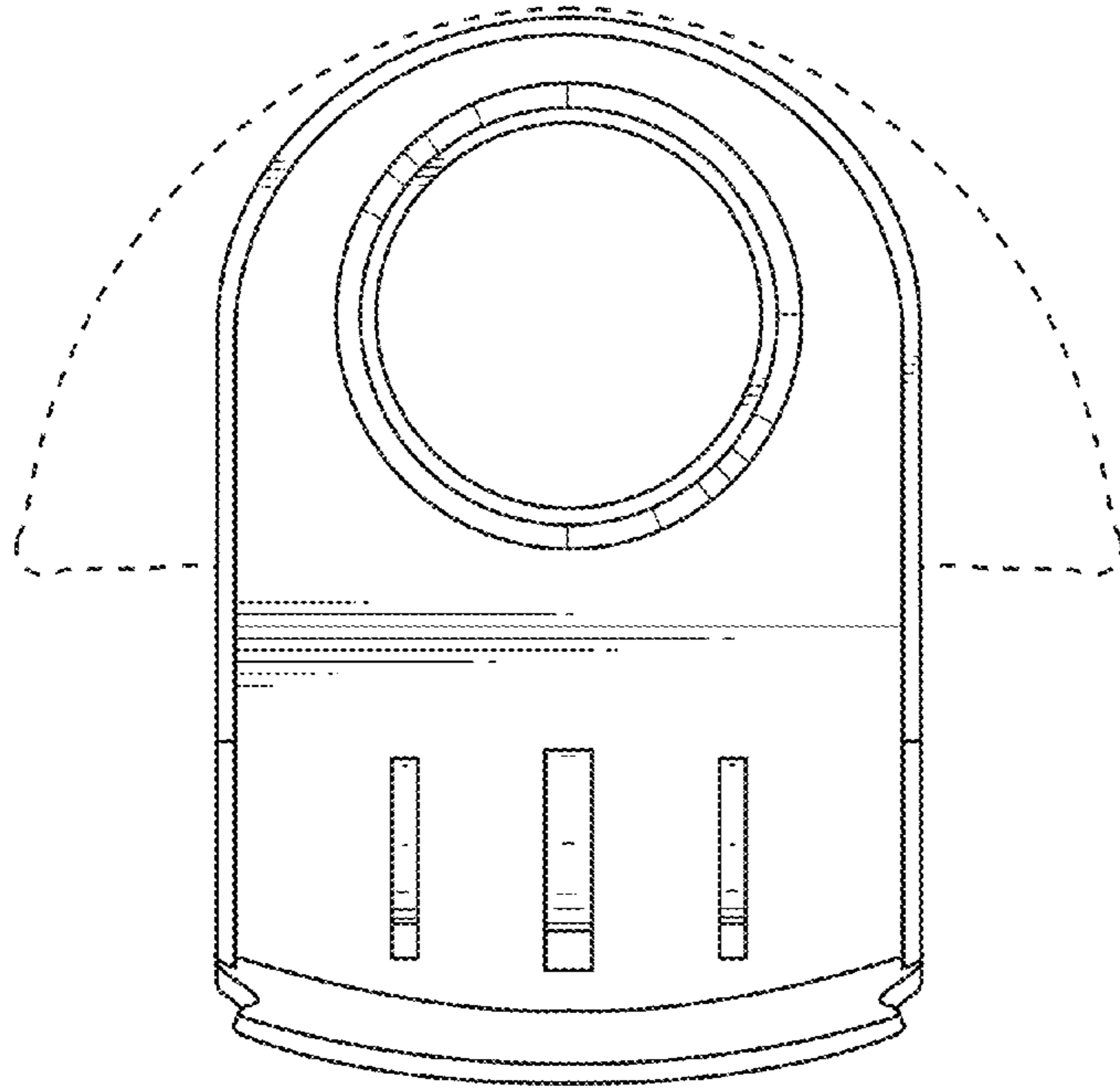


*Fig. 1*

*Fig. 2*

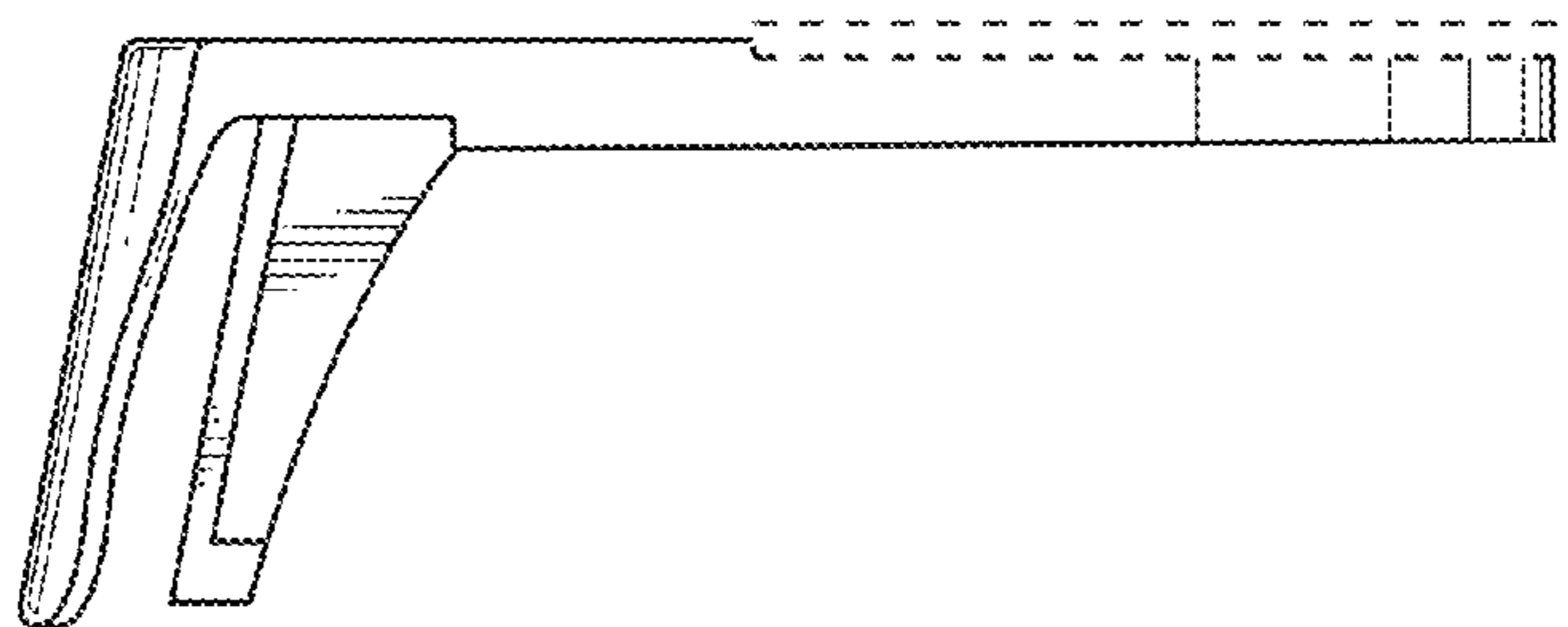
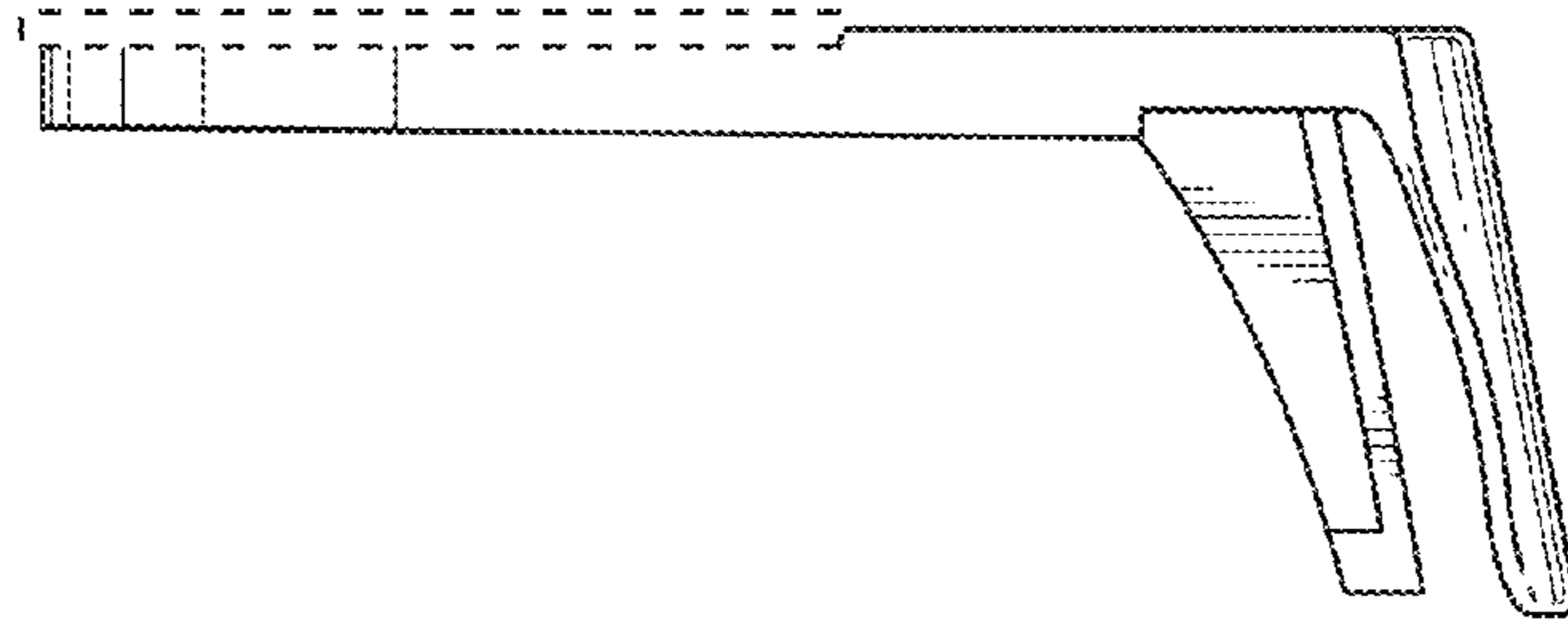


*Fig. 3*



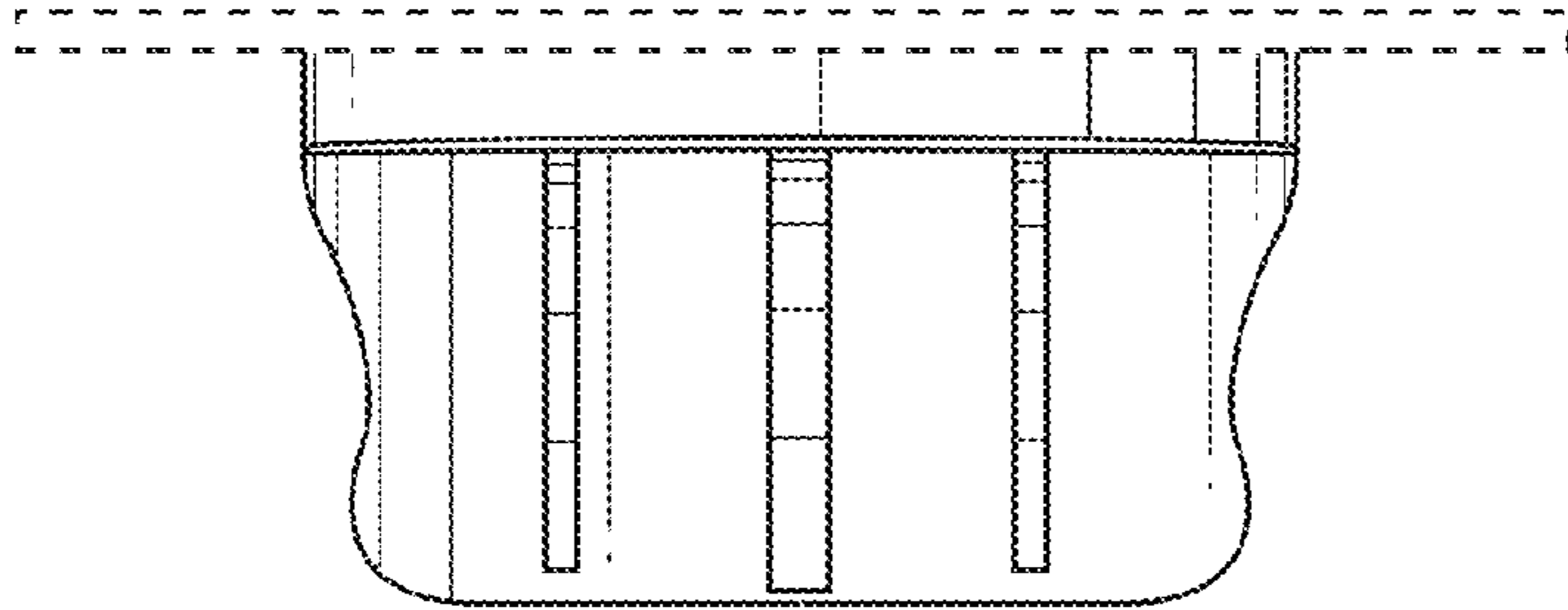
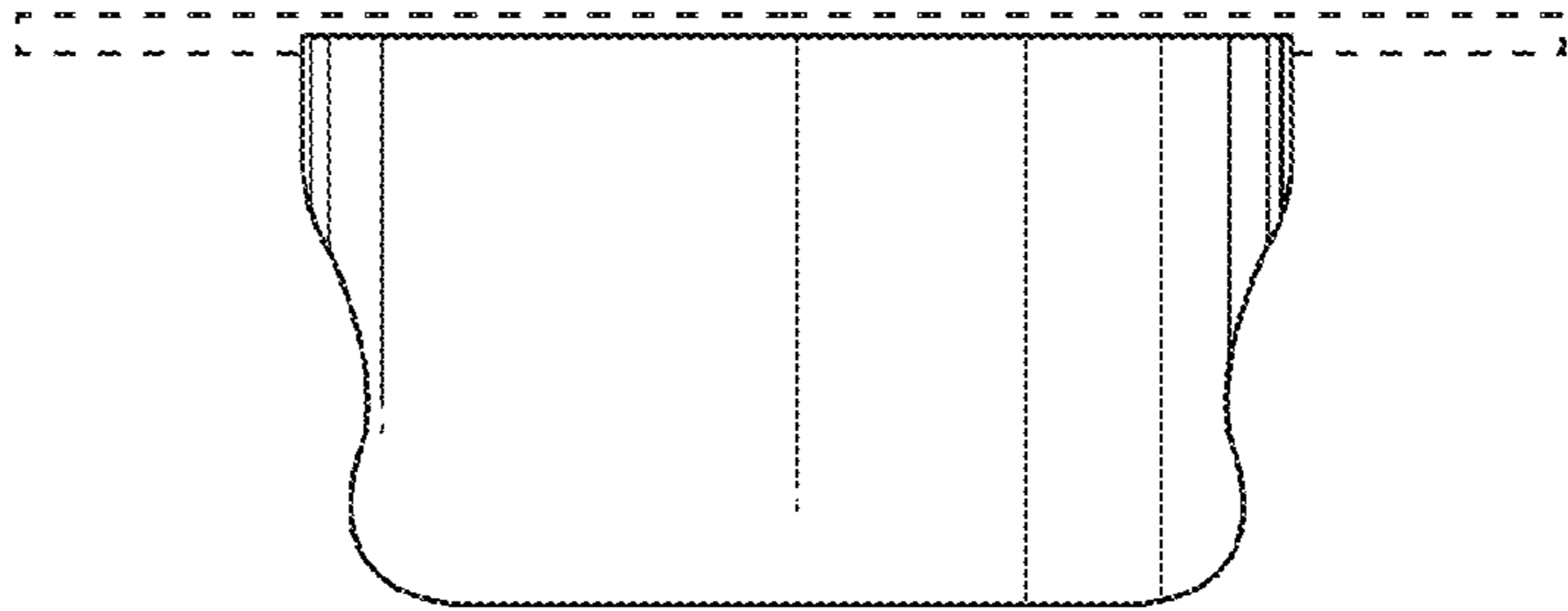
*Fig. 4*

*Fig. 5*



*Fig. 6*

*Fig. 7*



*Fig. 8*