



US00D707496S

(12) **United States Design Patent**  
**Dorn et al.**

(10) **Patent No.:** **US D707,496 S**  
(45) **Date of Patent:** **\*\* Jun. 24, 2014**

(54) **CUP HOLDER**

(71) Applicant: **Raffel Systems, LLC**, Germantown, WI (US)

(72) Inventors: **Douglas A. Dorn**, Brookfield, WI (US);  
**Torrin Santy**, West Bend, WI (US)

(73) Assignee: **Raffel Systems, LLC**, Germantown, WI (US)

(\*\*) Term: **14 Years**

(21) Appl. No.: **29/471,662**

(22) Filed: **Nov. 4, 2013**

(51) **LOC (10) Cl.** ..... **07-06**

(52) **U.S. Cl.**  
USPC ..... **D7/619.1**

(58) **Field of Classification Search**  
USPC ..... D7/619.1-625, 701-708; 294/27.1,  
294/31.2, 33; 211/71.01, 74, 75; 248/311.2,  
248/309.1; 215/393-396; D9/443, 434  
See application file for complete search history.

(56) **References Cited**

**U.S. PATENT DOCUMENTS**

D387,251 S \* 12/1997 Trombley ..... D7/625

D406,213 S \* 3/1999 Rausch ..... D7/619.1  
D626,409 S \* 11/2010 Hooley ..... D9/434  
2001/0035484 A1\* 11/2001 Ellinidis et al. .... 248/311.2

\* cited by examiner

*Primary Examiner* — Terry Wallace

(74) *Attorney, Agent, or Firm* — Tyler J. Sisk; Casimir Jones, S.C.

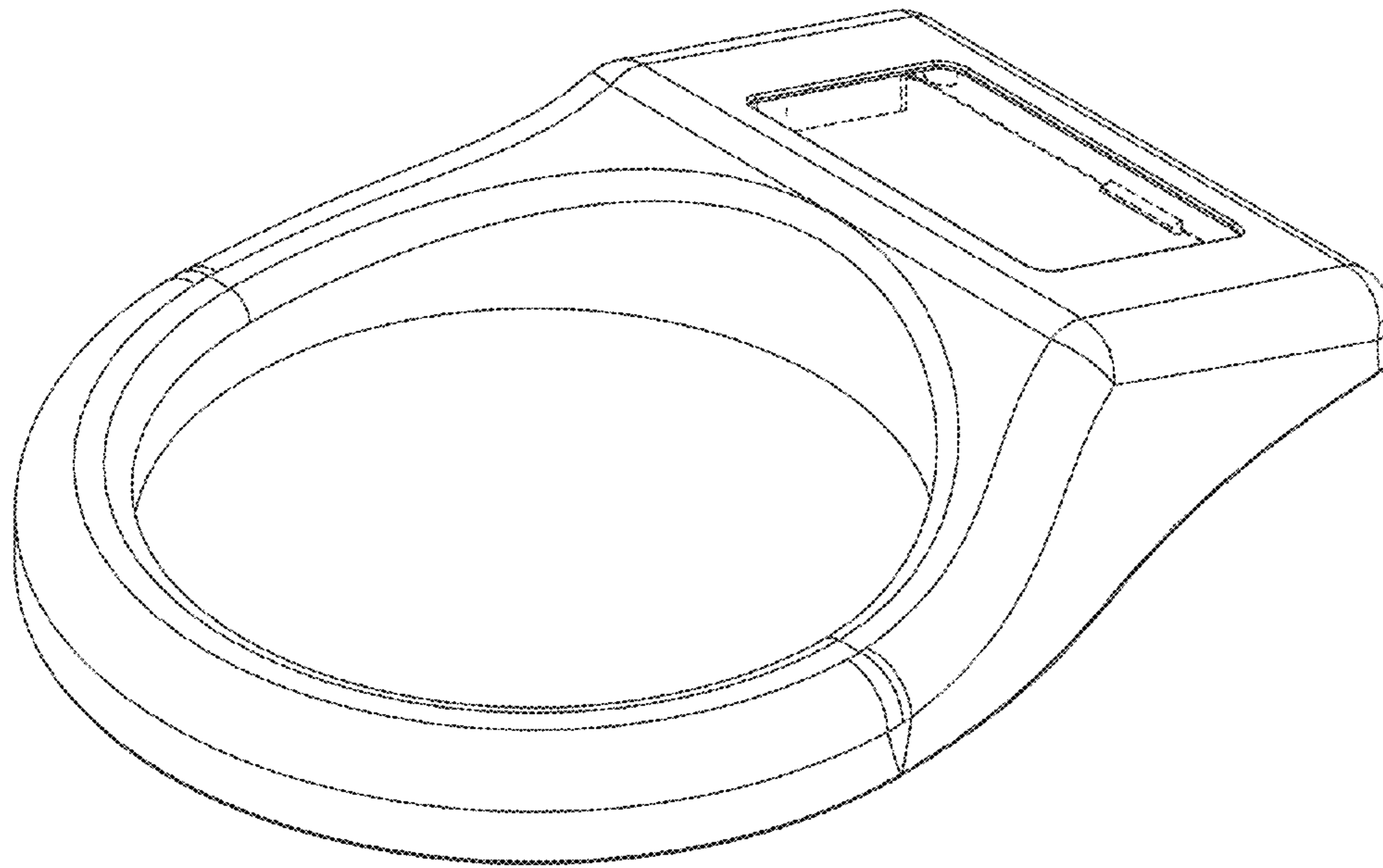
(57) **CLAIM**

The ornamental design for a cup holder, as shown and described.

**DESCRIPTION**

FIG. 1 is a top perspective view showing our new design of a cup holder;  
FIG. 2 is a top plan view thereof;  
FIG. 3 is a bottom plan view thereof;  
FIG. 4 is a front elevational view thereof;  
FIG. 5 is a rear elevational view thereof;  
FIG. 6 is a left side elevational view thereof; and,  
FIG. 7 is a right side elevational view thereof.  
The broken lines shown in FIGS. 1, 3, 4, and 7 are for the purpose of illustrating environment, and form no part of the claimed design.

**1 Claim, 5 Drawing Sheets**



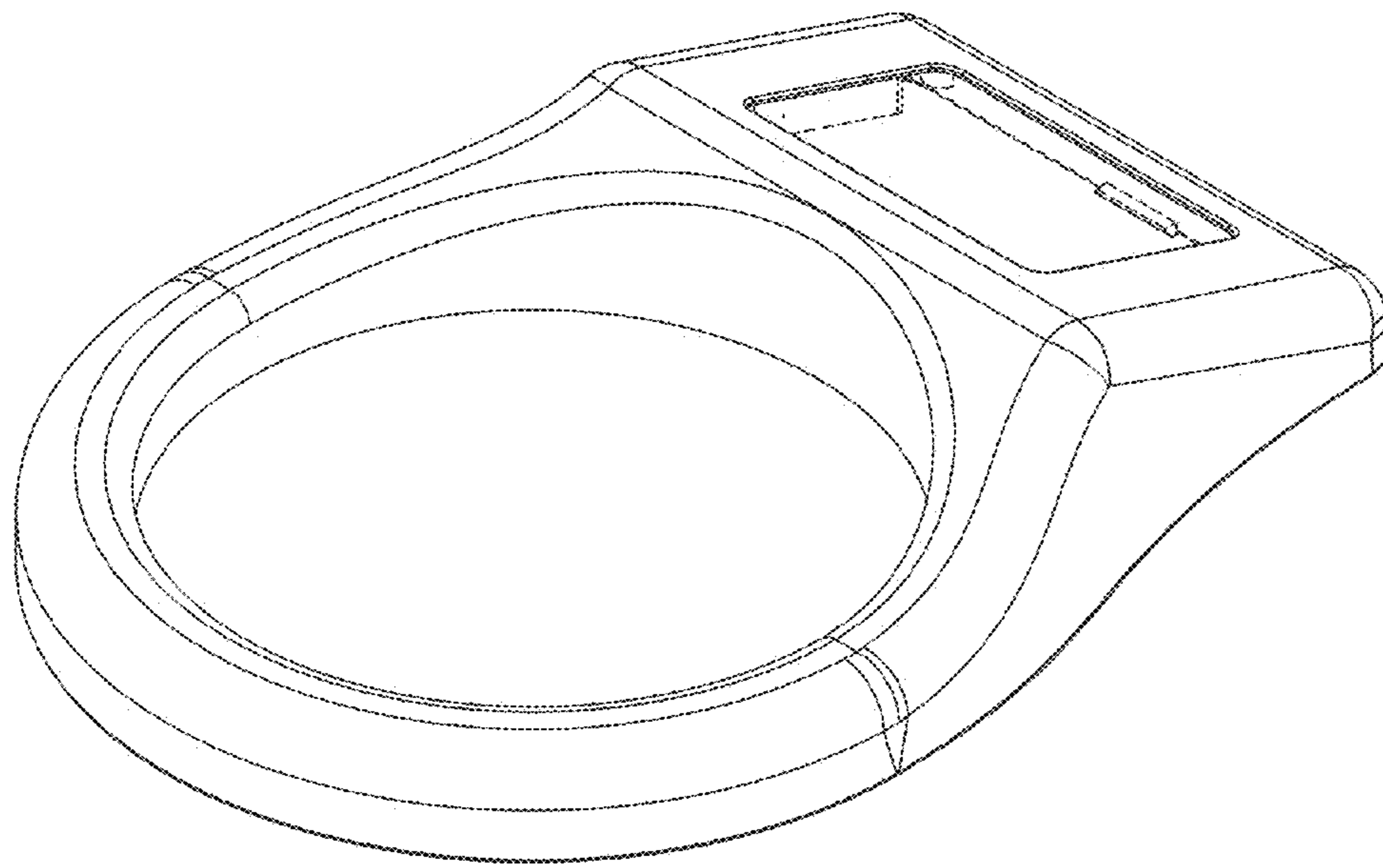


FIG. 1

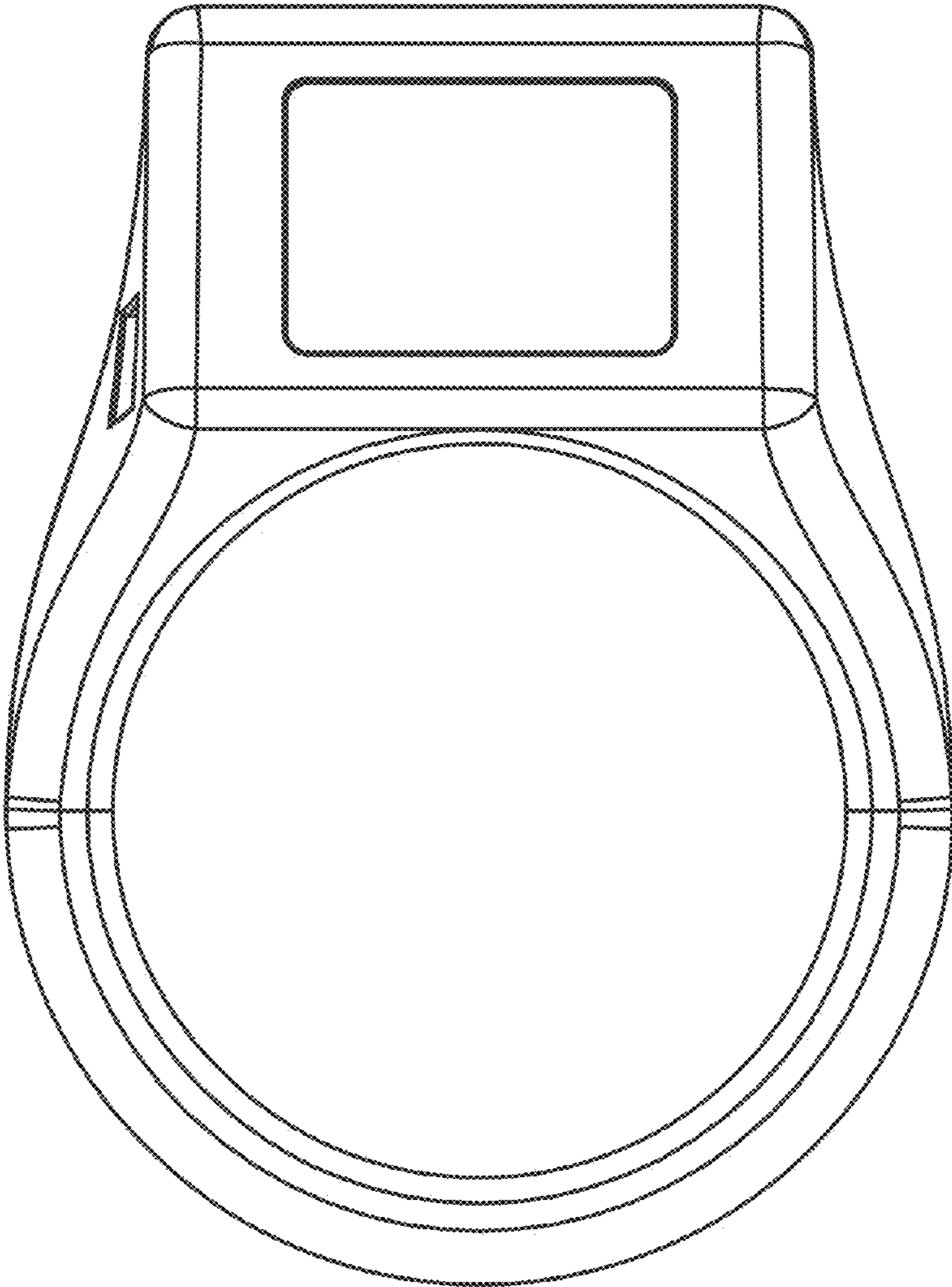


FIG. 2

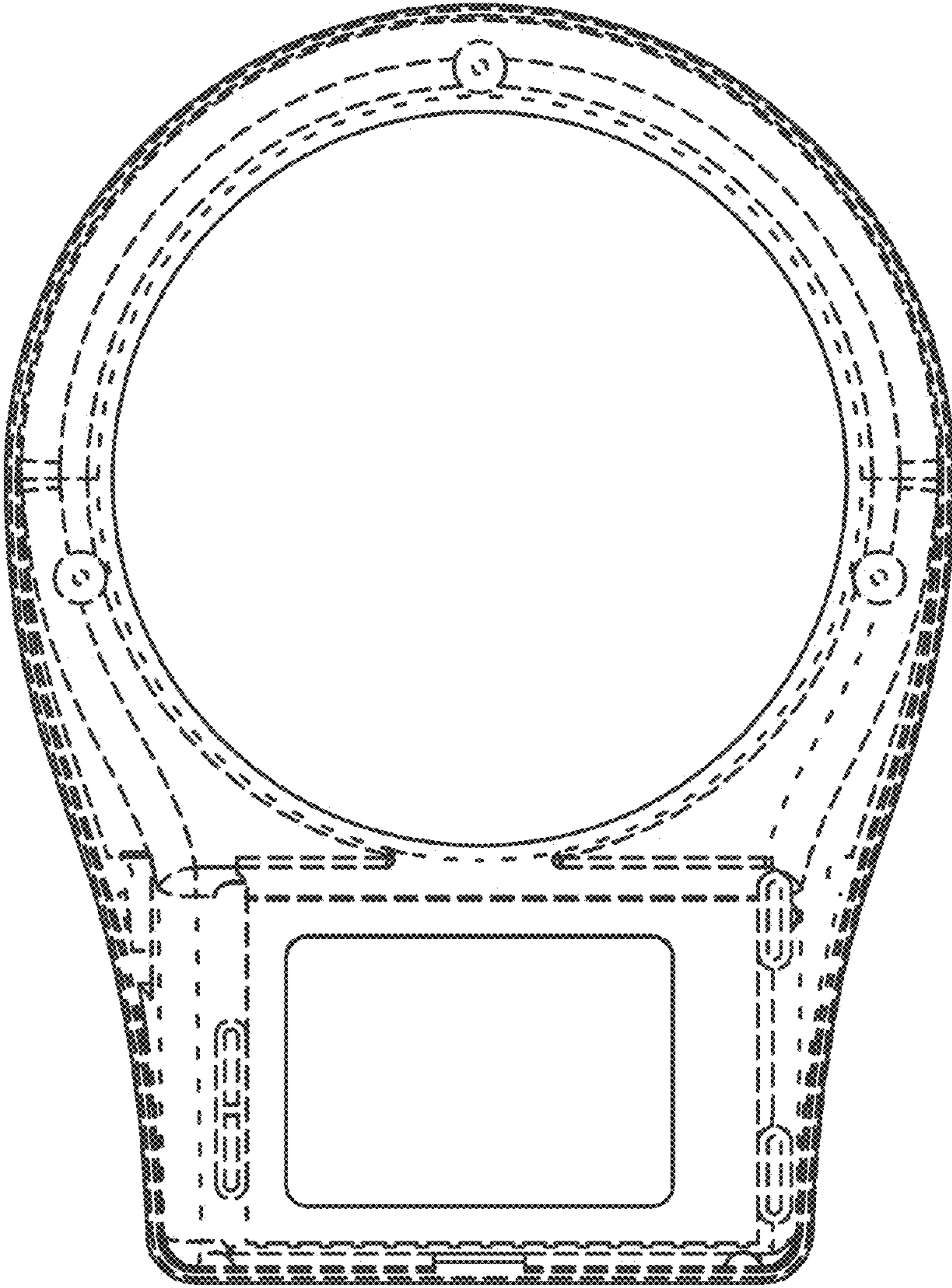


FIG. 3

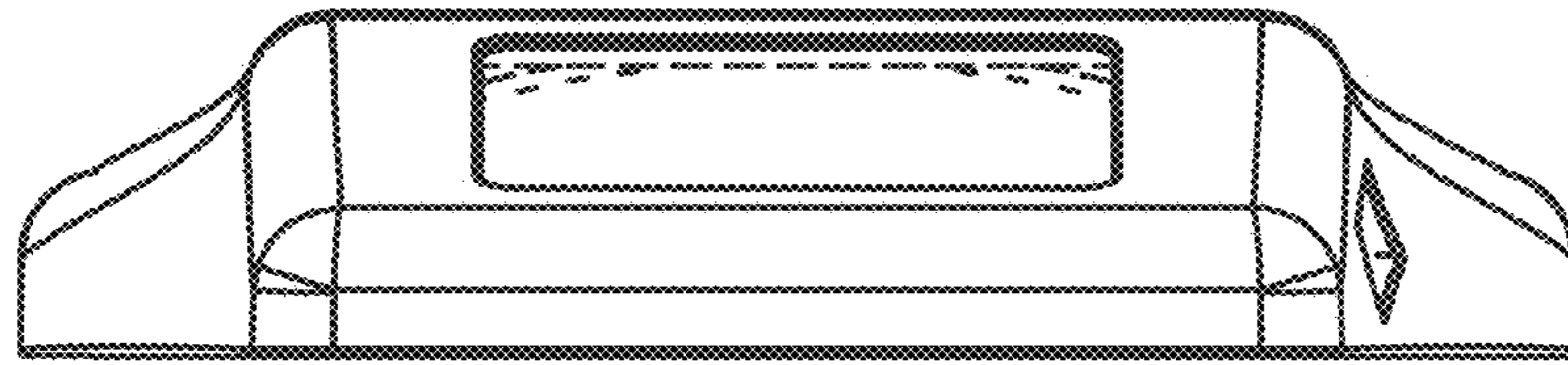


FIG. 4

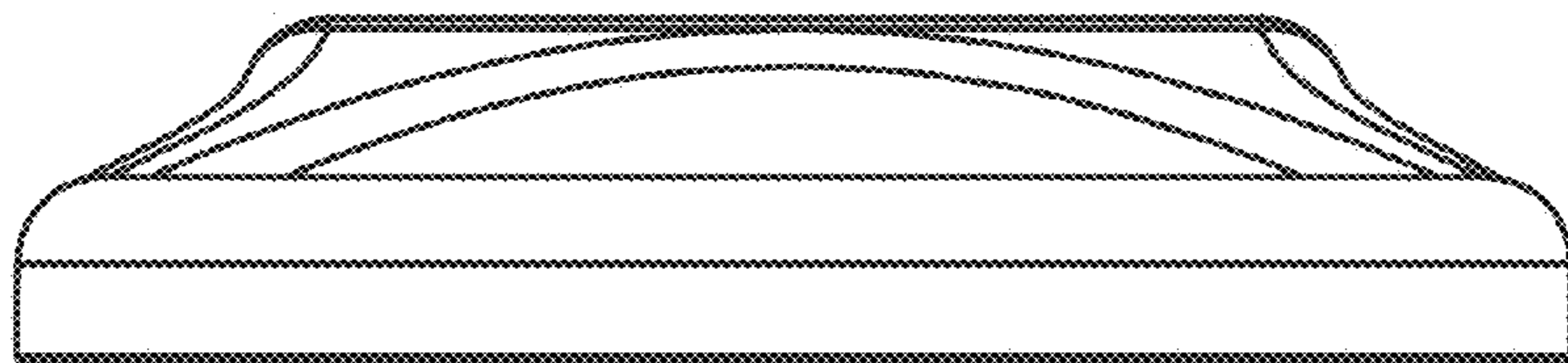


FIG. 5

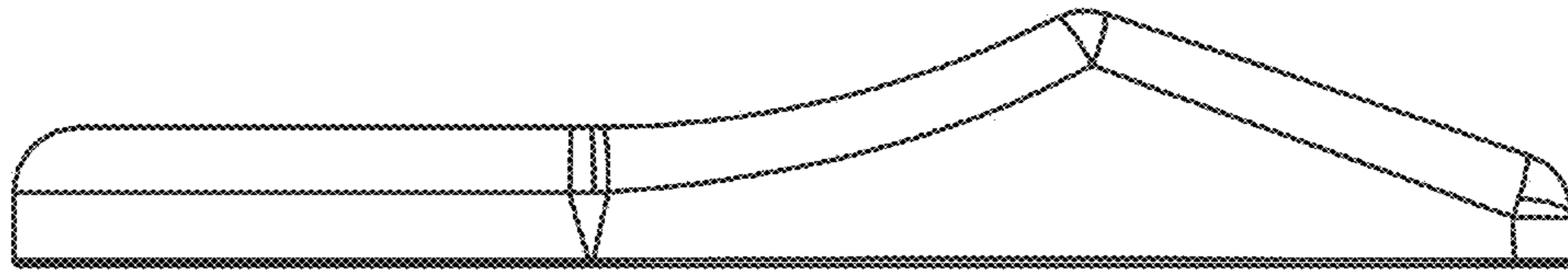


FIG. 6

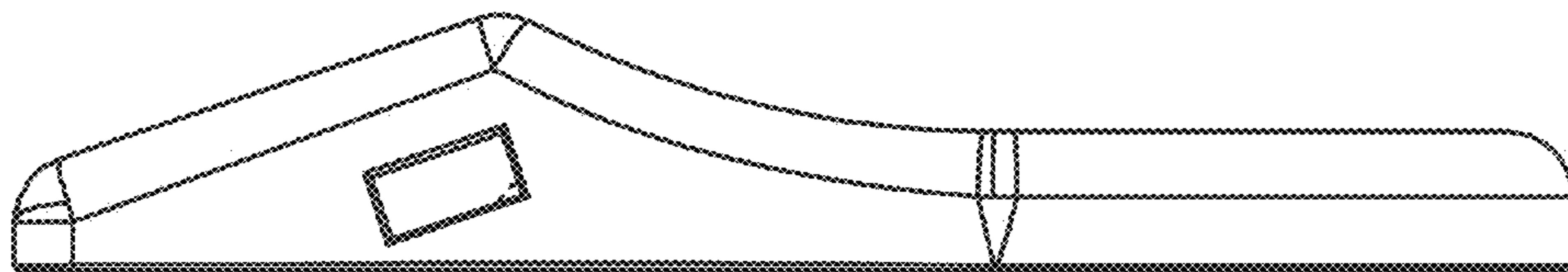


FIG. 7