



US00D707495S

(12) **United States Design Patent**
Shirley et al.

(10) **Patent No.:** **US D707,495 S**
(45) **Date of Patent:** **** Jun. 24, 2014**

(54) **PRODUCE STORAGE CONTAINER**

(75) Inventors: **Nathan E. Shirley**, Orlando, FL (US);
Jan-Hendrik de Groot, Brussels (BE)

(73) Assignee: **Dart Industries Inc.**, Orlando, FL (US)

(**) Term: **14 Years**

(21) Appl. No.: **29/421,119**

(22) Filed: **May 24, 2012**

(51) **LOC (10) Cl.** **07-07**

(52) **U.S. Cl.**
USPC **D7/602**

(58) **Field of Classification Search**
USPC D7/629, 602, 601, 538-542;
D9/424-432; 220/780-806, 574-575,
220/675, 573.1, 660, 260, 288, 326, 236,
220/4.21, 4.24, 4.27, 669-673, 23.83, 23.4
See application file for complete search history.

(56) **References Cited**

U.S. PATENT DOCUMENTS

2,141,013	A	12/1938	Nicholson	
2,492,846	A	12/1949	Coyle et al.	
2,673,003	A	3/1954	Stewart	
2,938,649	A	5/1960	Debs	
D223,144	S	3/1972	Bloch	
D224,587	S	8/1972	Jewell	
4,000,830	A	1/1977	French	
D268,560	S	4/1983	Daenen et al.	
D272,505	S	2/1984	Daenen et al.	
4,597,503	A	7/1986	Lates	
5,048,707	A	9/1991	Hallberg	
D326,743	S *	6/1992	Haynes	D30/130
5,839,601	A	11/1998	Van Melle	
5,938,062	A	8/1999	Paramski	
6,029,843	A	2/2000	Kroscher et al.	
D424,298	S *	5/2000	Laib	D7/602
D446,419	S	8/2001	Ming-Shiue	

(Continued)

FOREIGN PATENT DOCUMENTS

AU 139808 3/1999

OTHER PUBLICATIONS

Progressive International Corp.; Packaging for Collapsible Produce Keeper (two pages); © 2011.

Primary Examiner — Terry Wallace

(74) *Attorney, Agent, or Firm* — John A. Doninger

(57) **CLAIM**

The ornamental design for a produce storage container, as shown and described.

DESCRIPTION

FIG. 1 is a top, front and right side perspective view of the first embodiment of a produce, storage container showing our new design;

FIG. 2 is a bottom, front and left side perspective view thereof;

FIG. 3 is rear elevation view, the front elevation being identical thereto;

FIG. 4 is a right side elevation view, the left side being identical thereto;

FIG. 5 is a top plan view thereof;

FIG. 6 is a bottom plan view thereof;

FIG. 7 is a top, front and right side perspective view of the second embodiment of a produce storage container showing our new design;

FIG. 8 is a bottom, front and left side perspective view thereof;

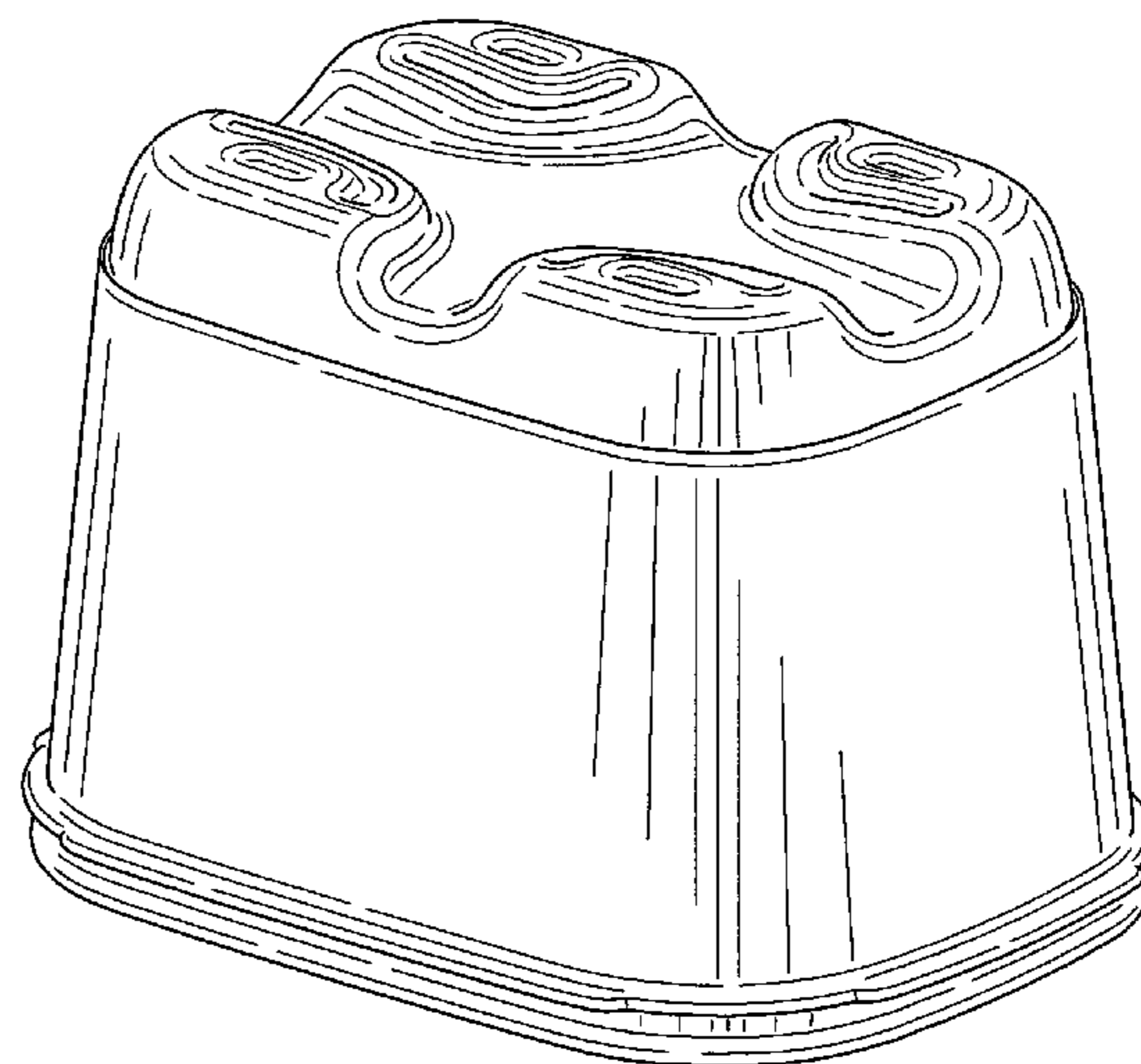
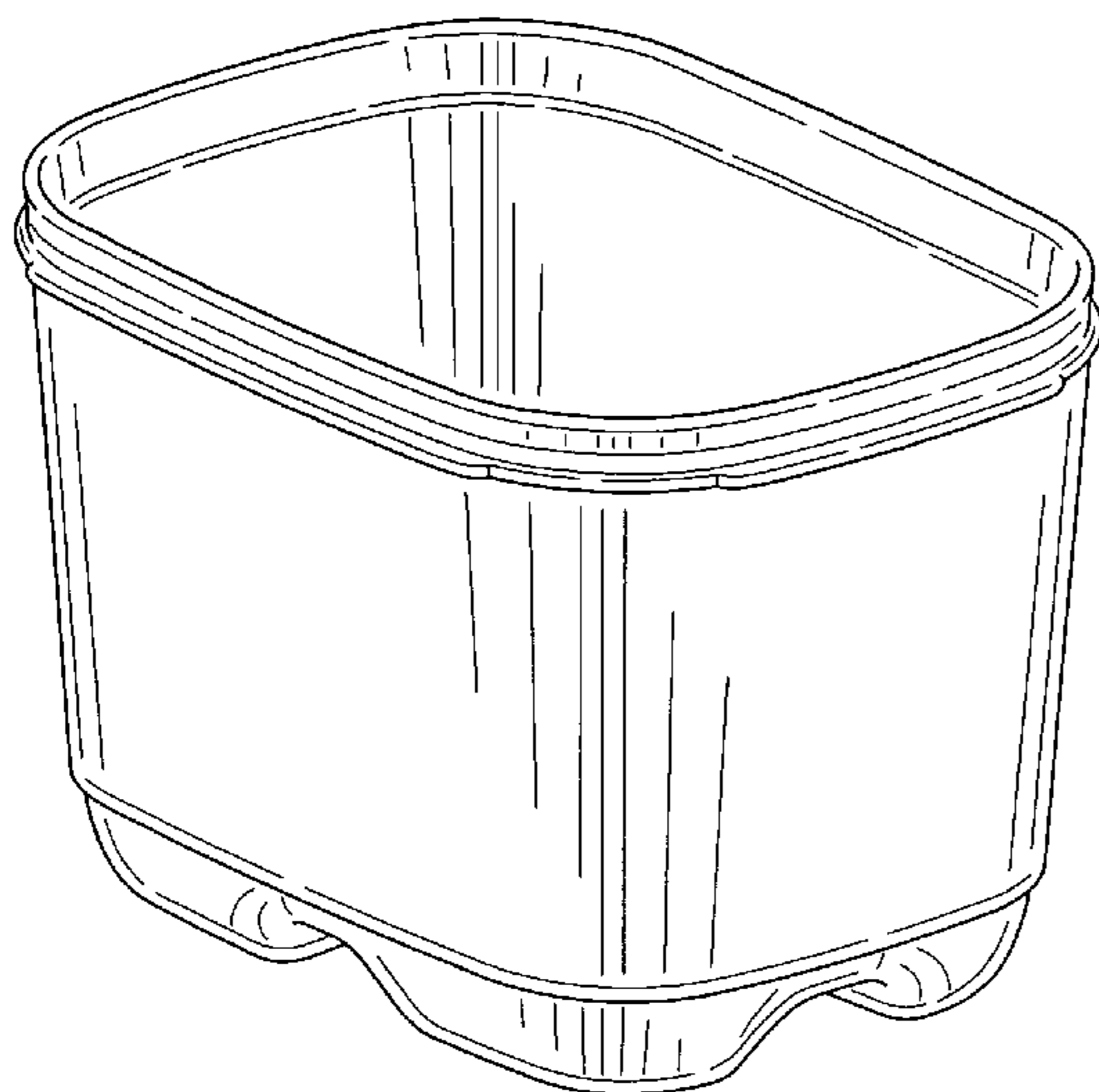
FIG. 9 is a right side elevation view, the left side being identical thereto;

FIG. 10 is a rear elevation view, the front elevation being identical thereto;

FIG. 11 is a top plan view thereof; and,

FIG. 12 is a bottom plan view thereof.

1 Claim, 5 Drawing Sheets



(56)

References Cited

U.S. PATENT DOCUMENTS

6,367,651 B2 *	4/2002	Laib et al.	220/676	D573,846 S *	7/2008	Moghavem	D7/629
D465,382 S	11/2002	Wolf et al.		D583,191 S	12/2008	Wong	
D465,969 S	11/2002	Morin		7,611,029 B2	11/2009	Wong	
D468,154 S	1/2003	Klock et al.		7,678,271 B2	3/2010	Curtin	
D475,239 S	6/2003	Claypool		D617,151 S *	6/2010	Olivari	D7/629
D476,567 S	7/2003	Weiss et al.		7,845,510 B2	12/2010	Schmidtner et al.	
D512,278 S *	12/2005	Schultz et al.	D7/629	7,850,037 B2	12/2010	Schmidtner et al.	
D572,587 S	7/2008	Rush et al.		7,874,447 B2	1/2011	Schmidtner et al.	
				2008/0203092 A1	8/2008	Stamper et al.	
				2011/0180543 A1	7/2011	Rusnak et al.	

* cited by examiner

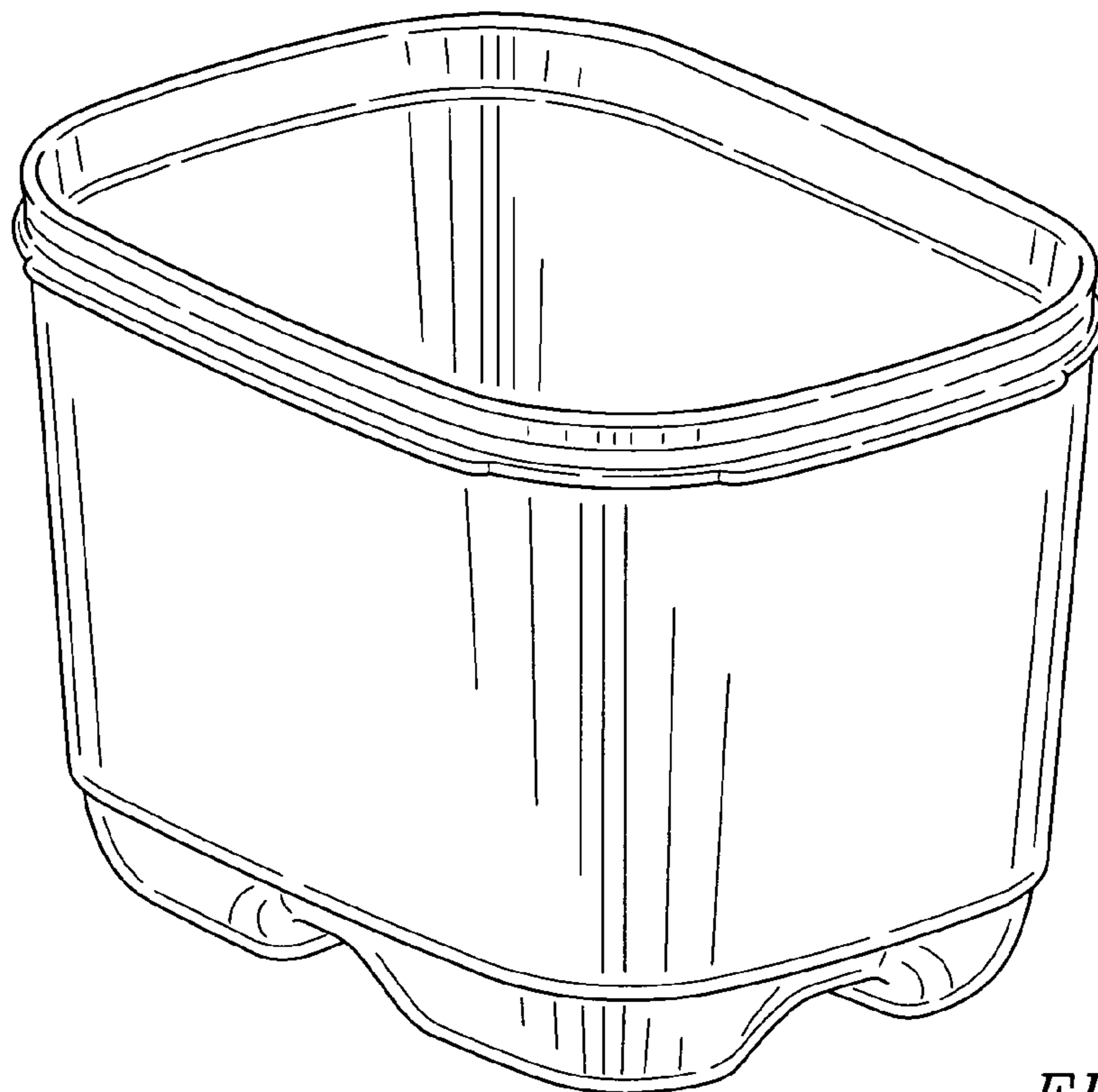


FIG. 1

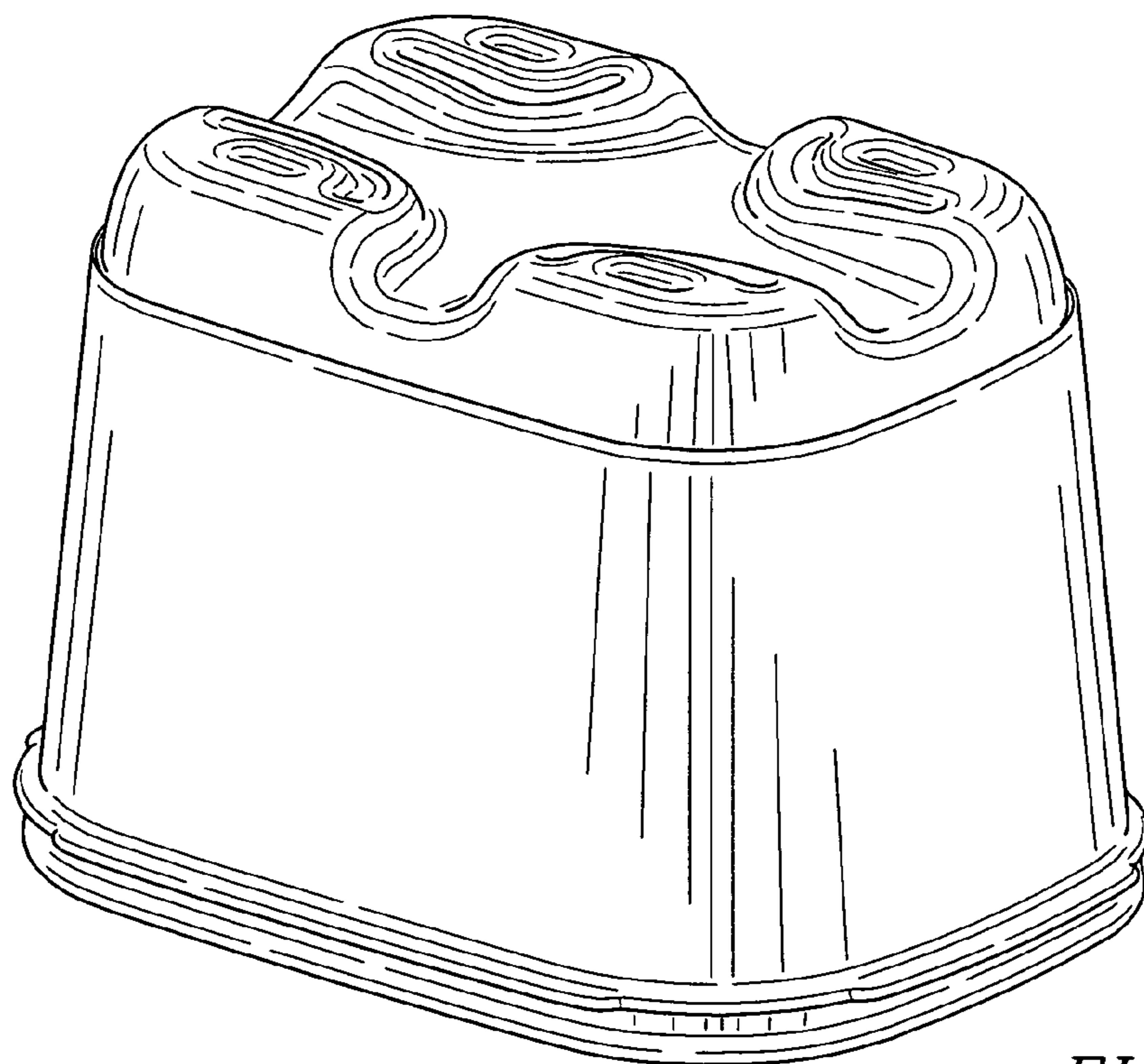


FIG. 2

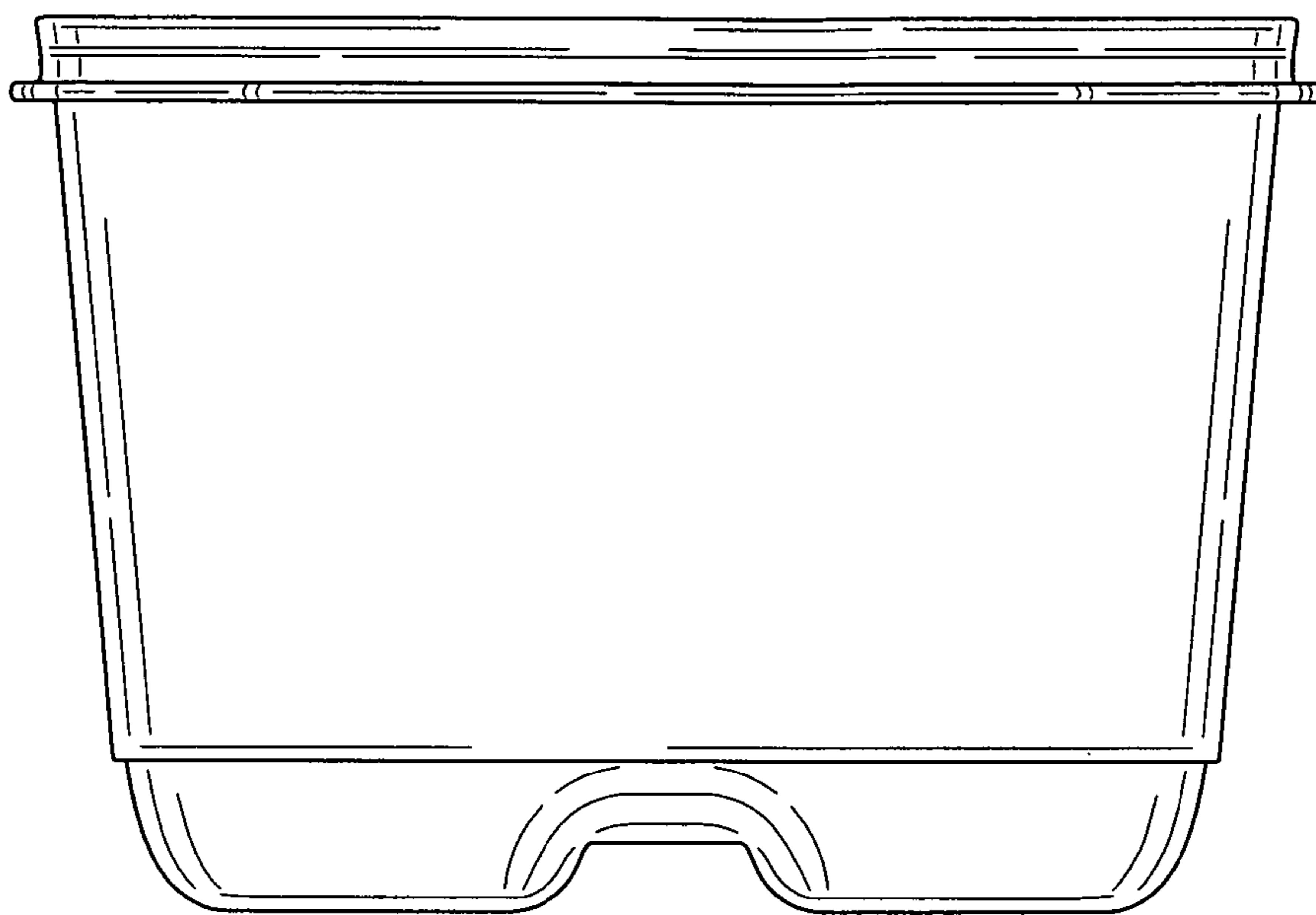


FIG. 3

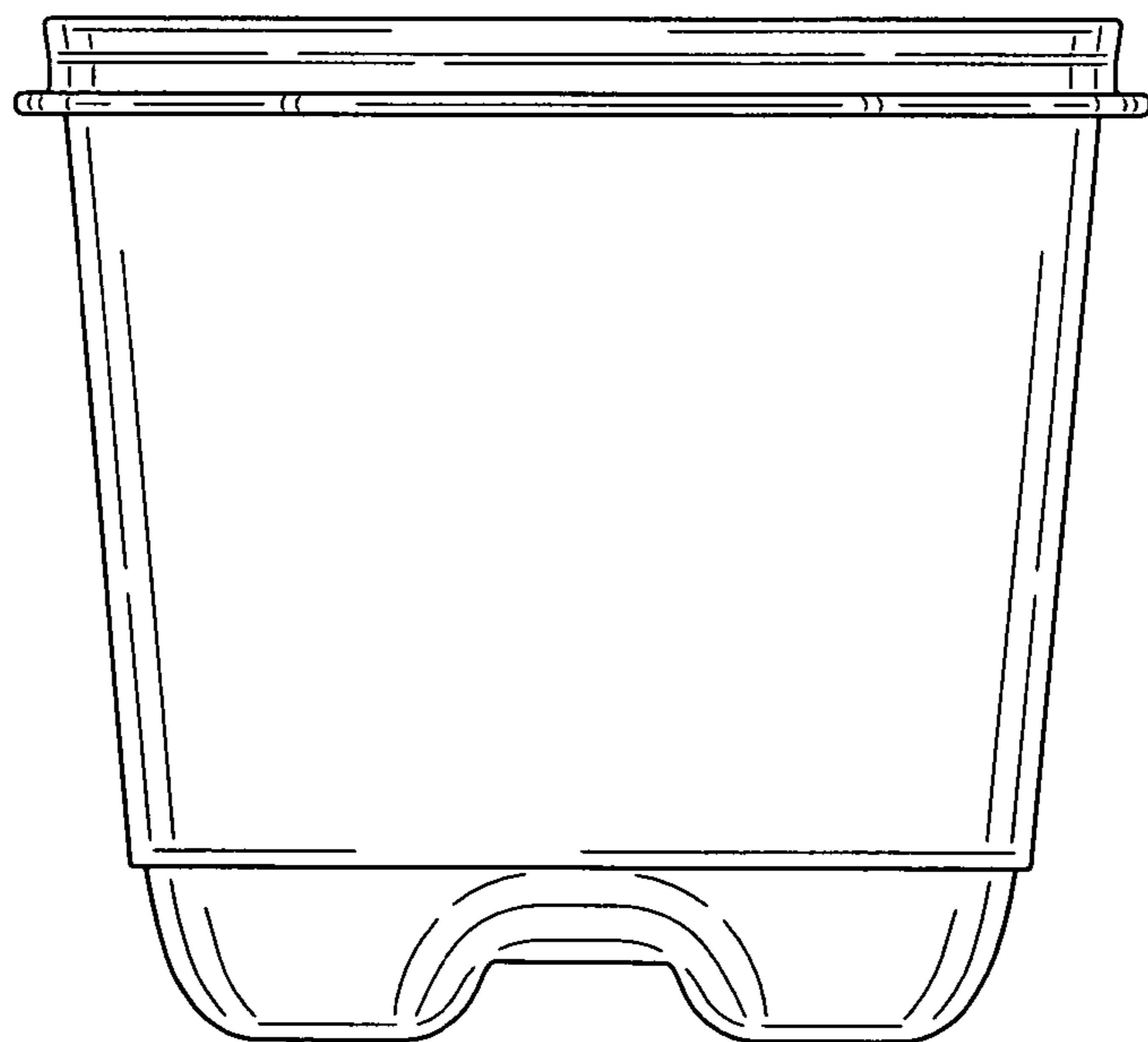


FIG. 4

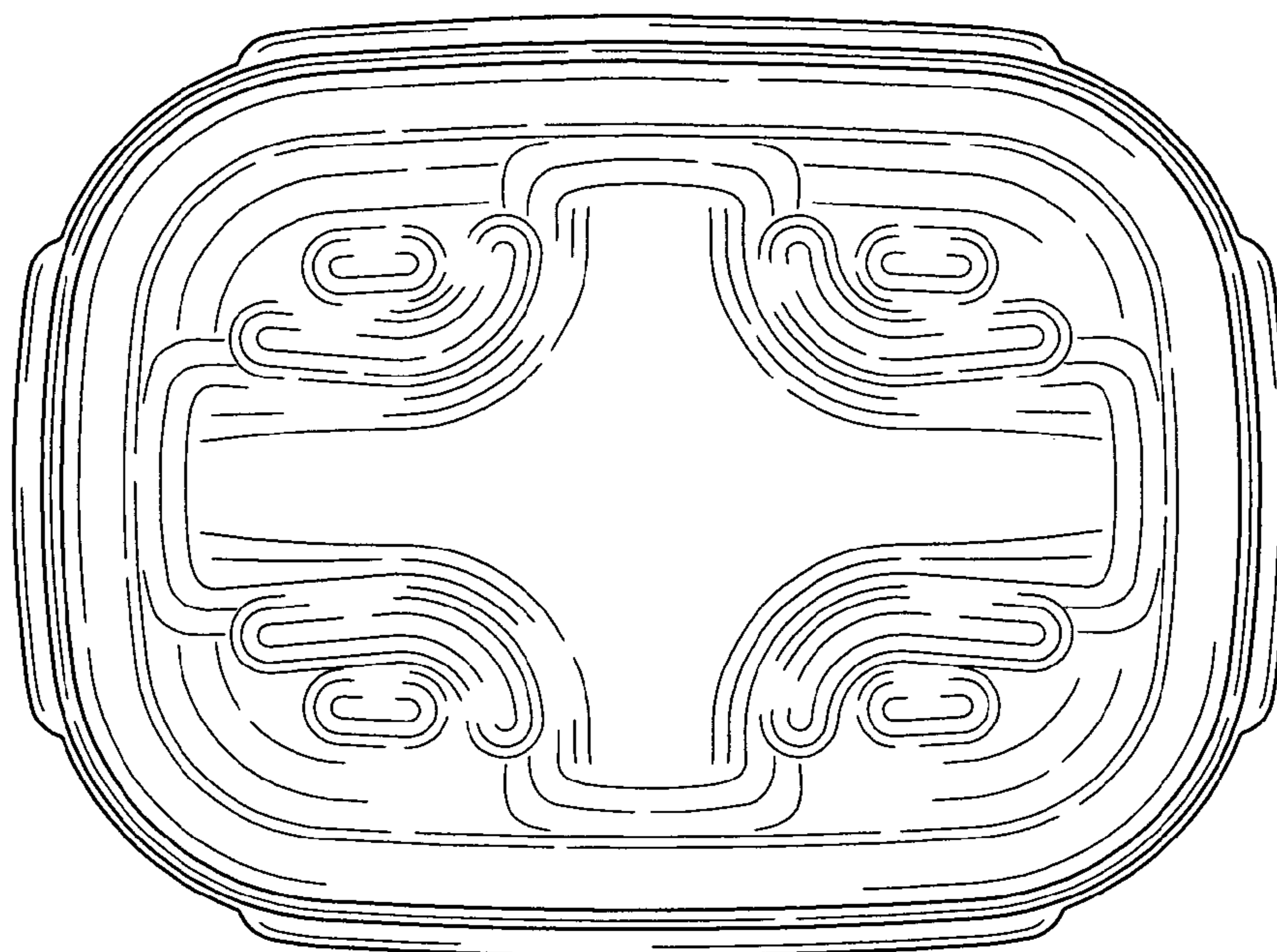


FIG. 5

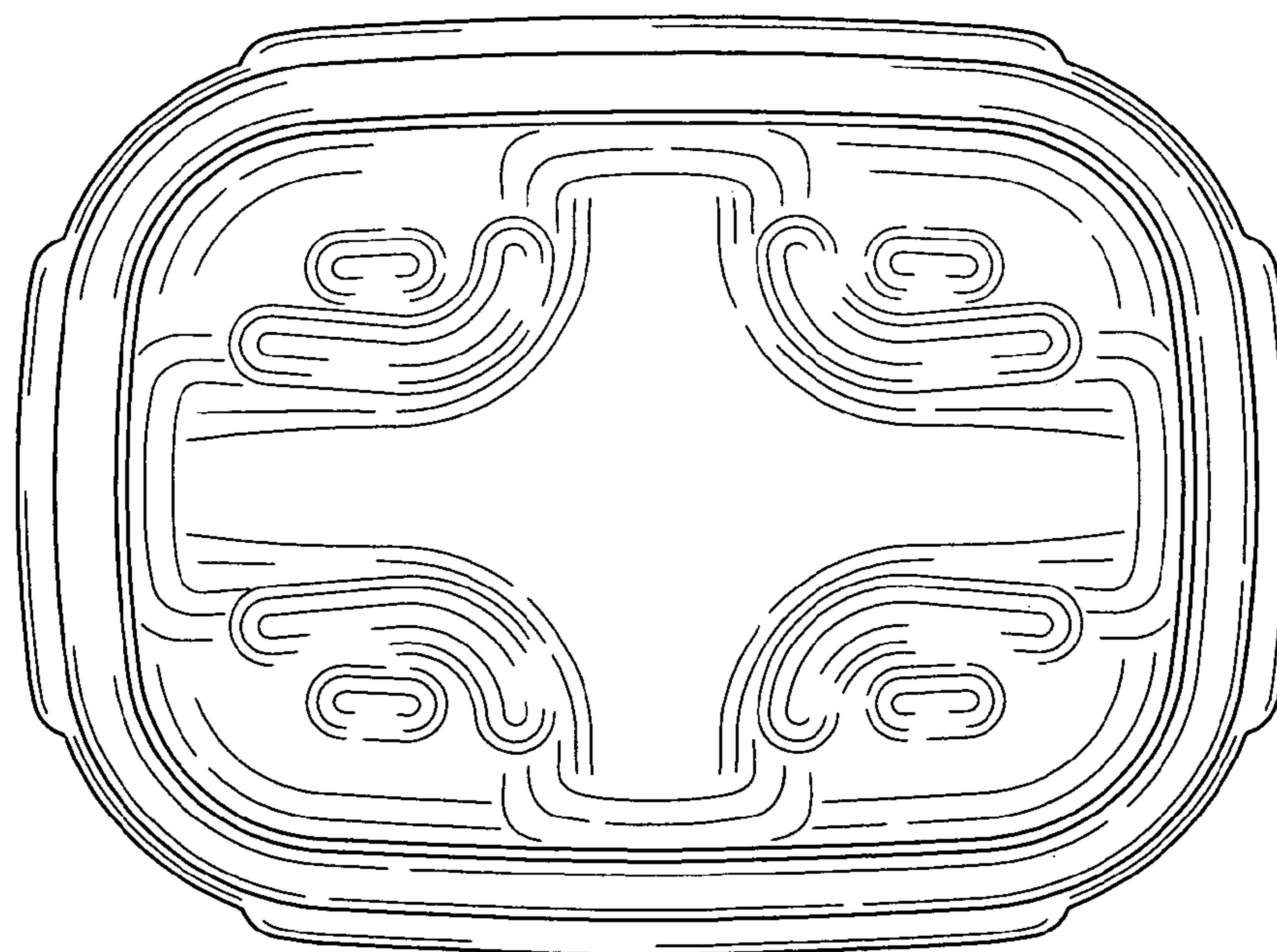


FIG. 6

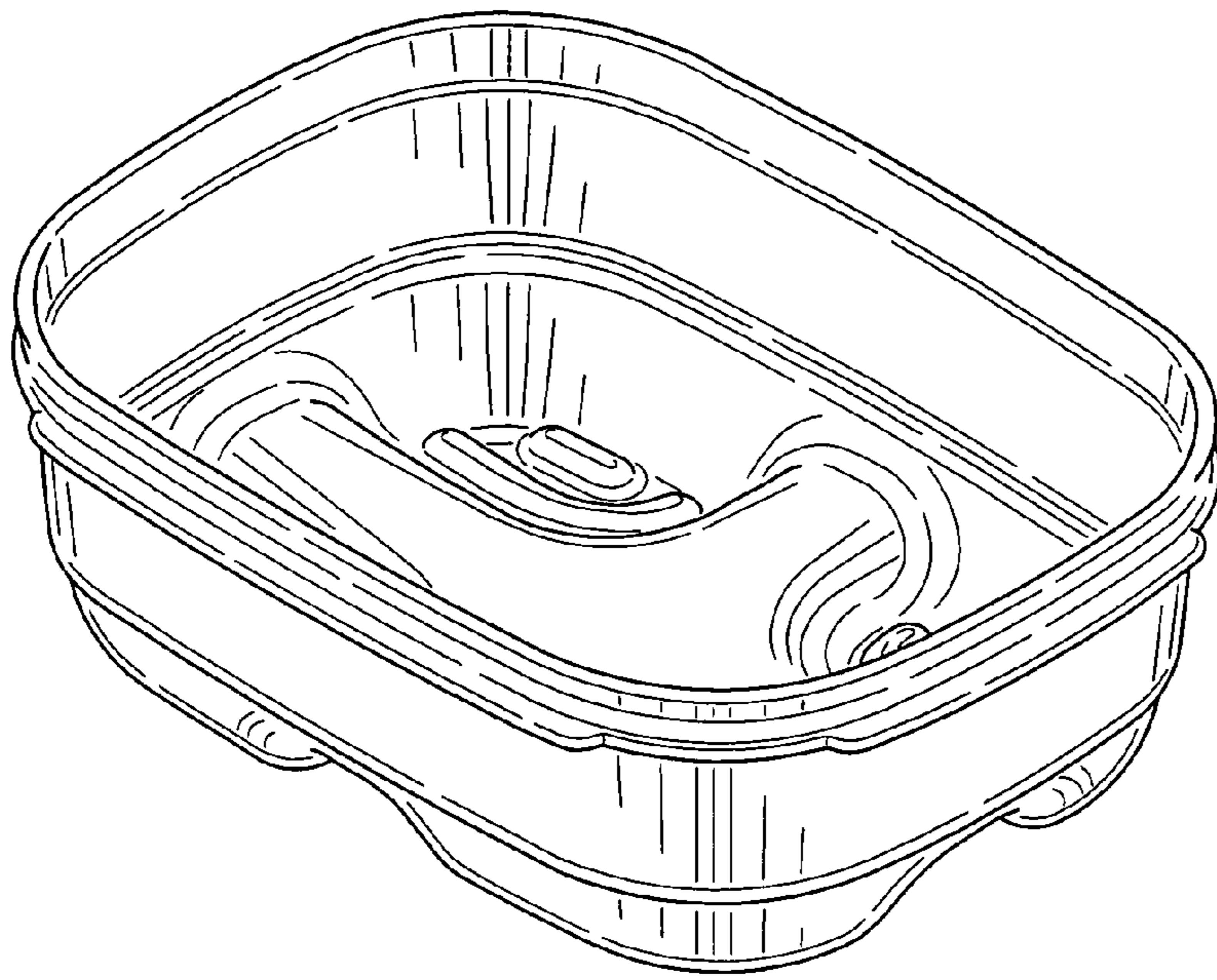


FIG. 7

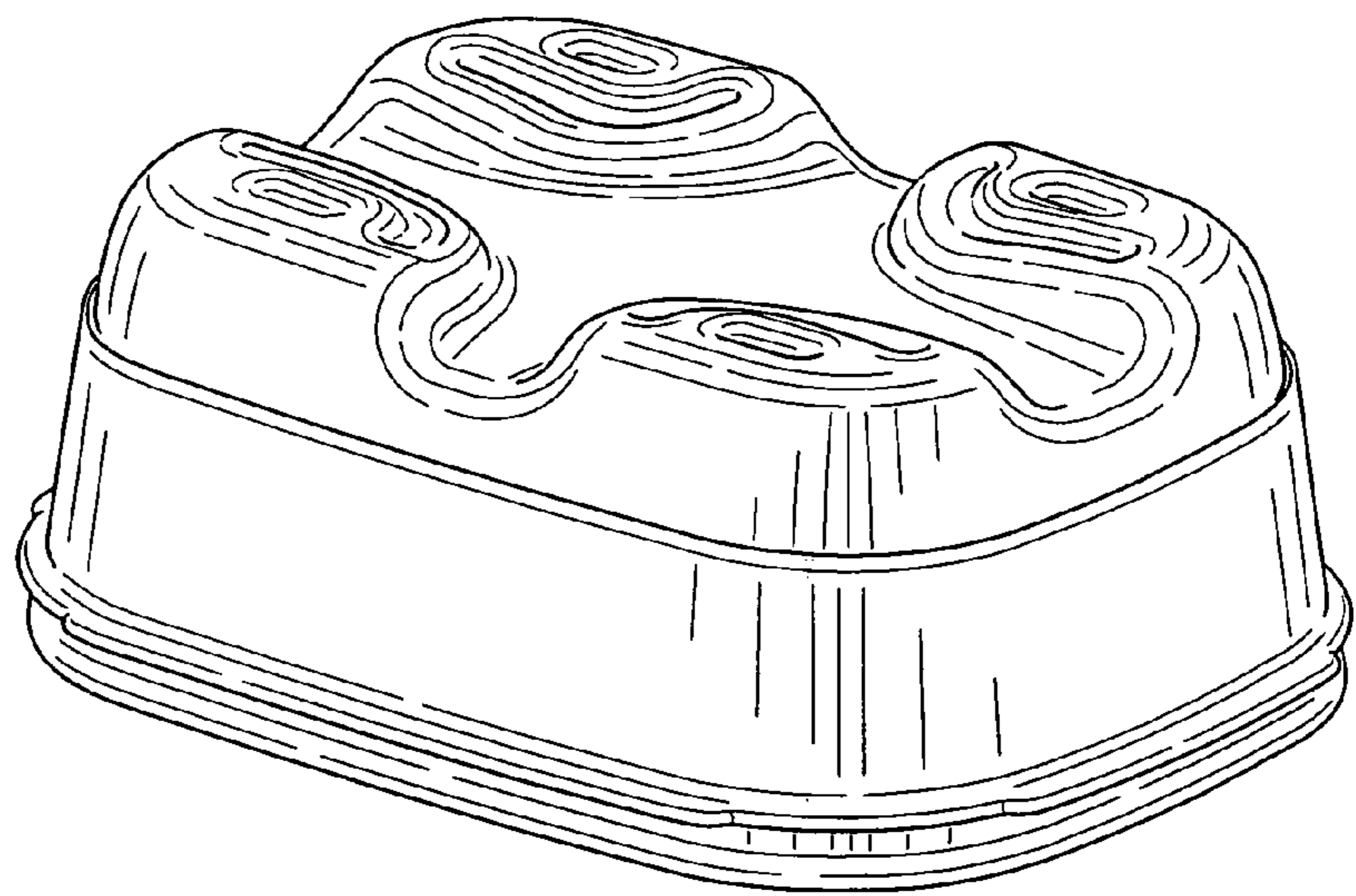


FIG. 8

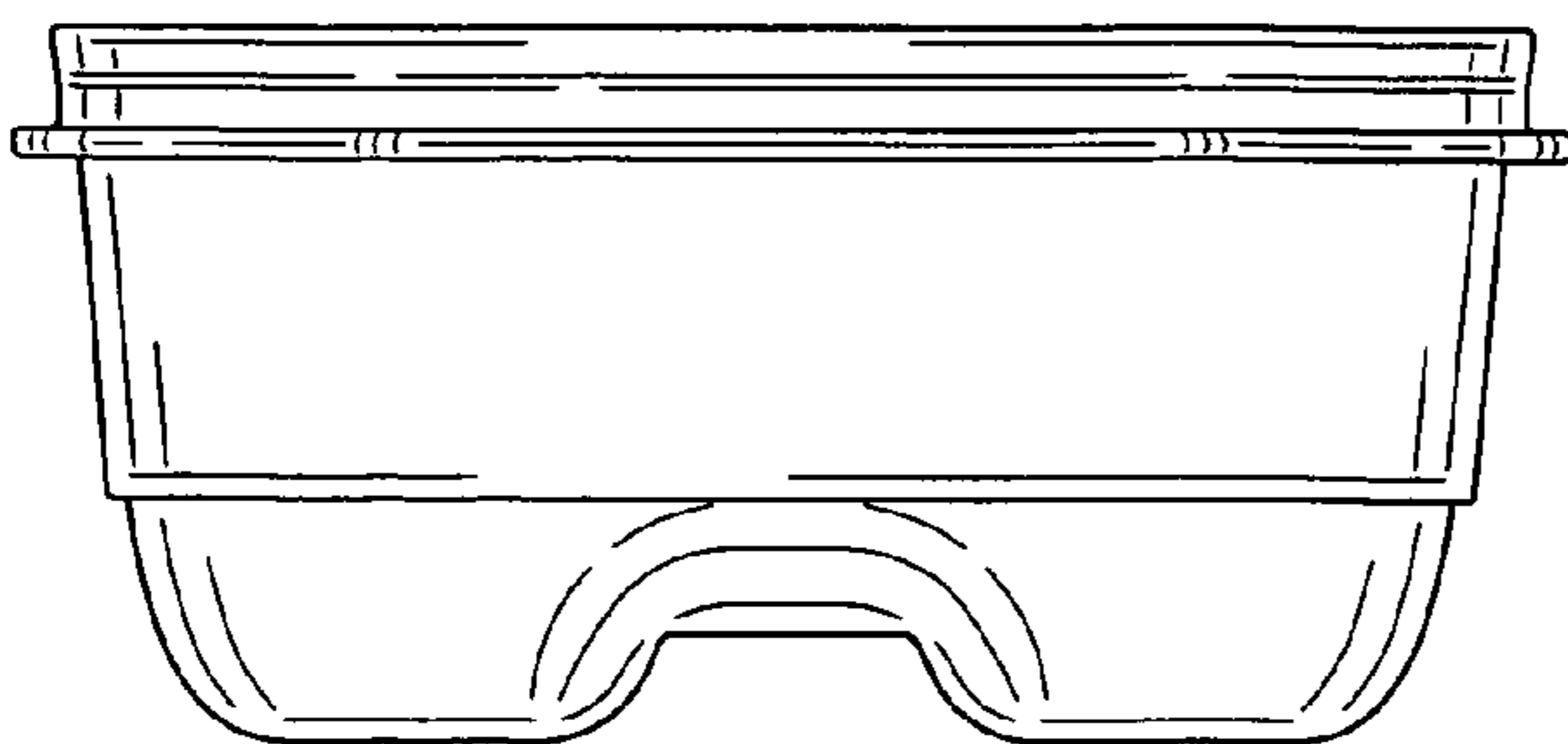


FIG. 9

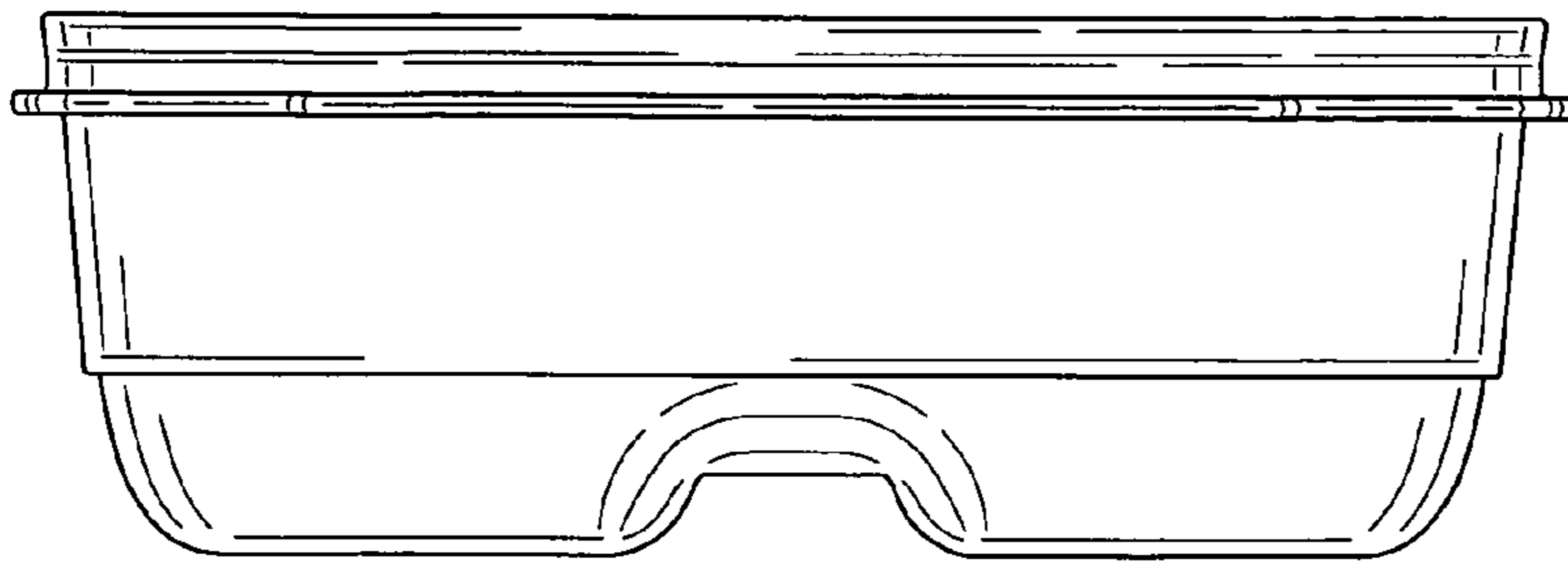


FIG. 10

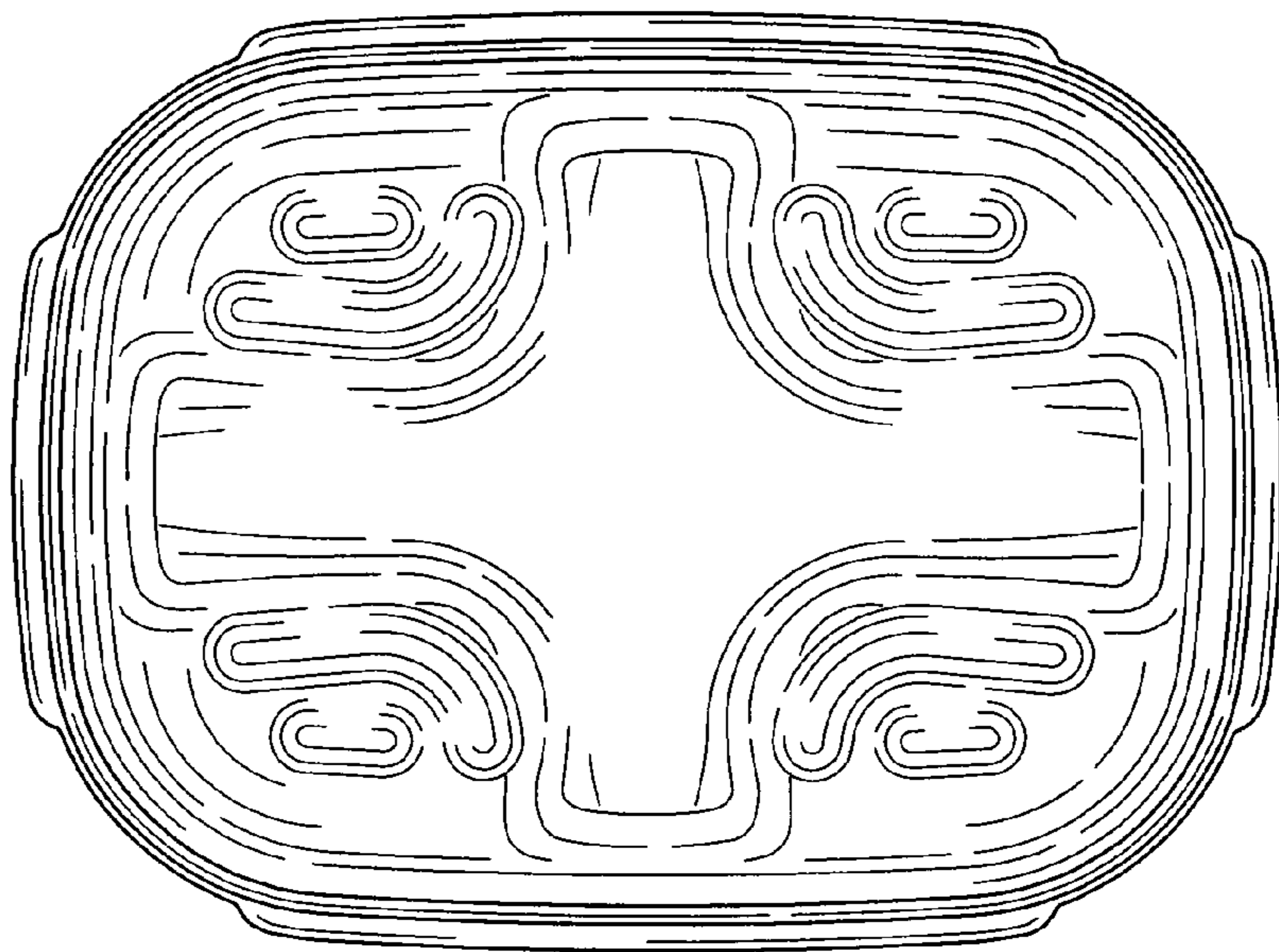


FIG. 11

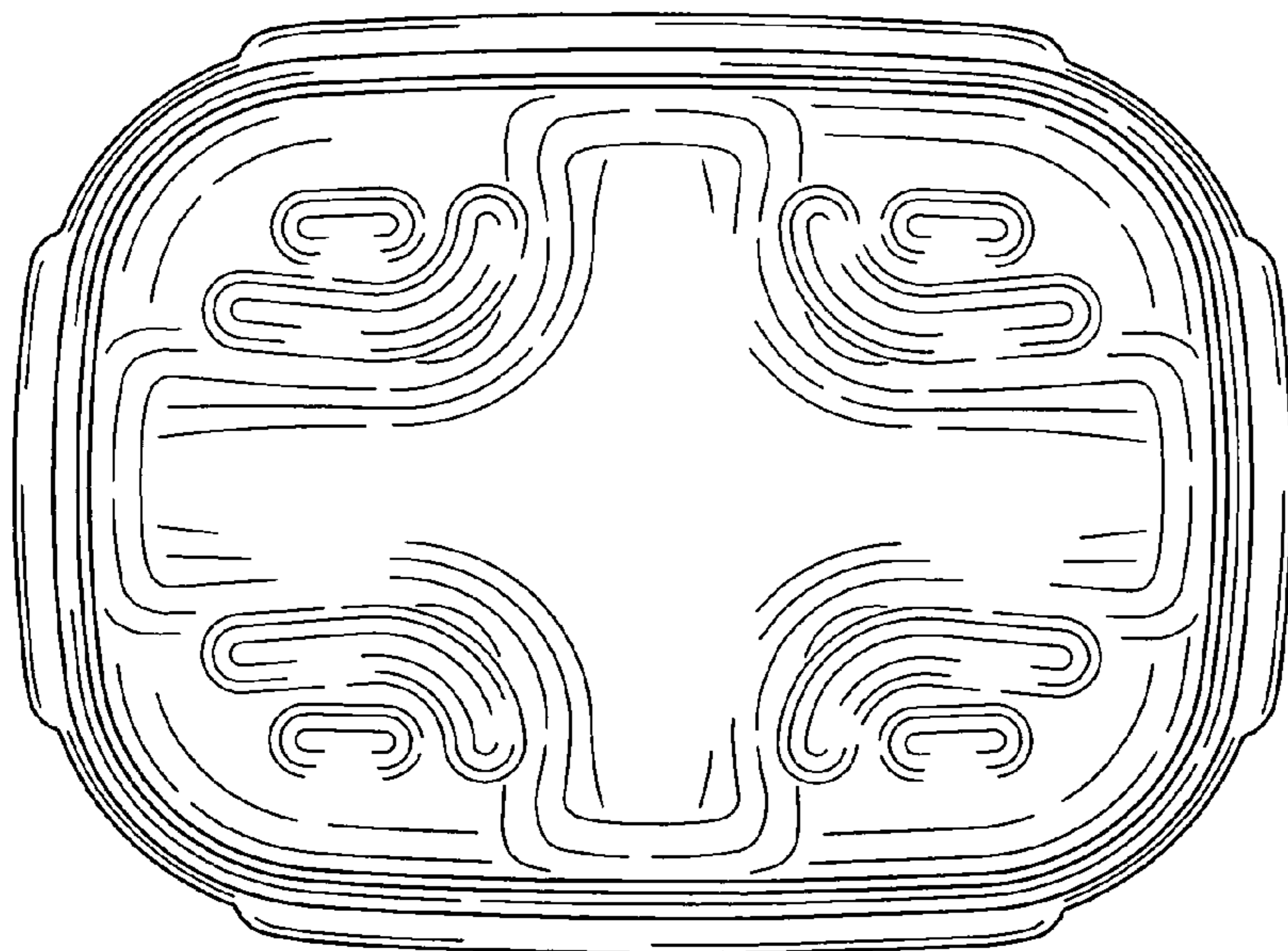


FIG. 12