



US00D707490S

(12) **United States Design Patent**
Hertaus

(10) **Patent No.:** **US D707,490 S**
(45) **Date of Patent:** **** Jun. 24, 2014**

(54) **ADAPTOR CARTRIDGE FOR DISPOSABLE BEVERAGE BREWING PACKAGE**

D637,484 S * 5/2011 Winkler D9/429
D647,398 S * 10/2011 Winkler D9/429
D647,399 S * 10/2011 Winkler D9/429

(71) Applicant: **Lipper International, Inc.**, Wallingford, CT (US)

* cited by examiner

(72) Inventor: **Alan Hertaus**, Le Sueur, MN (US)

Primary Examiner — Marianne Pandozzi

(73) Assignee: **Lipper International, Inc.**, Wallingford, CT (US)

(74) *Attorney, Agent, or Firm* — Lucas & Mercanti, LLP

(**) Term: **14 Years**

(57) **CLAIM**

The ornamental design for an adaptor cartridge for disposable beverage brewing package, as shown and described.

(21) Appl. No.: **29/450,003**

DESCRIPTION

(22) Filed: **Mar. 15, 2013**

(51) **LOC (10) Cl.** **07-99**

(52) **U.S. Cl.**
USPC **D7/400**; D7/397; D9/424; D9/428

(58) **Field of Classification Search**
USPC D9/424, 428; D7/398, 400, 397;
D23/209; 99/295, 323

See application file for complete search history.

FIG. 1 is a top perspective view of the design with a disposable beverage brewing package illustrated in broken lines; FIG. 2 is a top perspective view of the design; FIG. 3 is a front elevational view of the design; FIG. 4 is a rear elevational view of the design; FIG. 5 is a right side elevational view of the design; FIG. 6 is a left side elevational view of the design; FIG. 7 is a top plan view of the design; and, FIG. 8 is a bottom plan view of the design with environmental structure illustrated in broken lines.

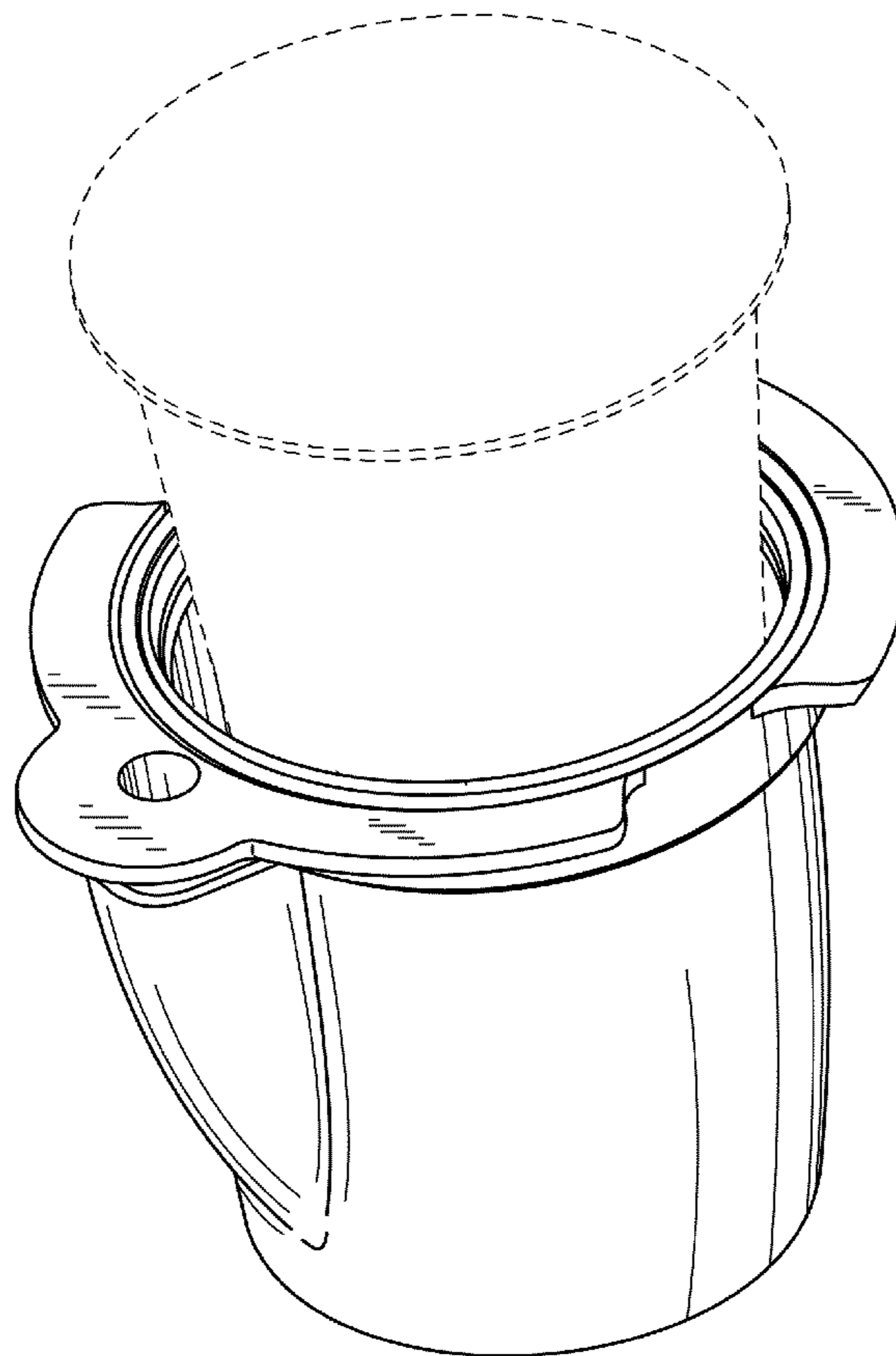
The broken line showing is for illustrative purposes only, and forms no part of the claimed design.

(56) **References Cited**

U.S. PATENT DOCUMENTS

D502,362 S * 3/2005 Lazaris et al. D7/400
D520,185 S * 5/2006 Zeng et al. D28/8.1

1 Claim, 8 Drawing Sheets



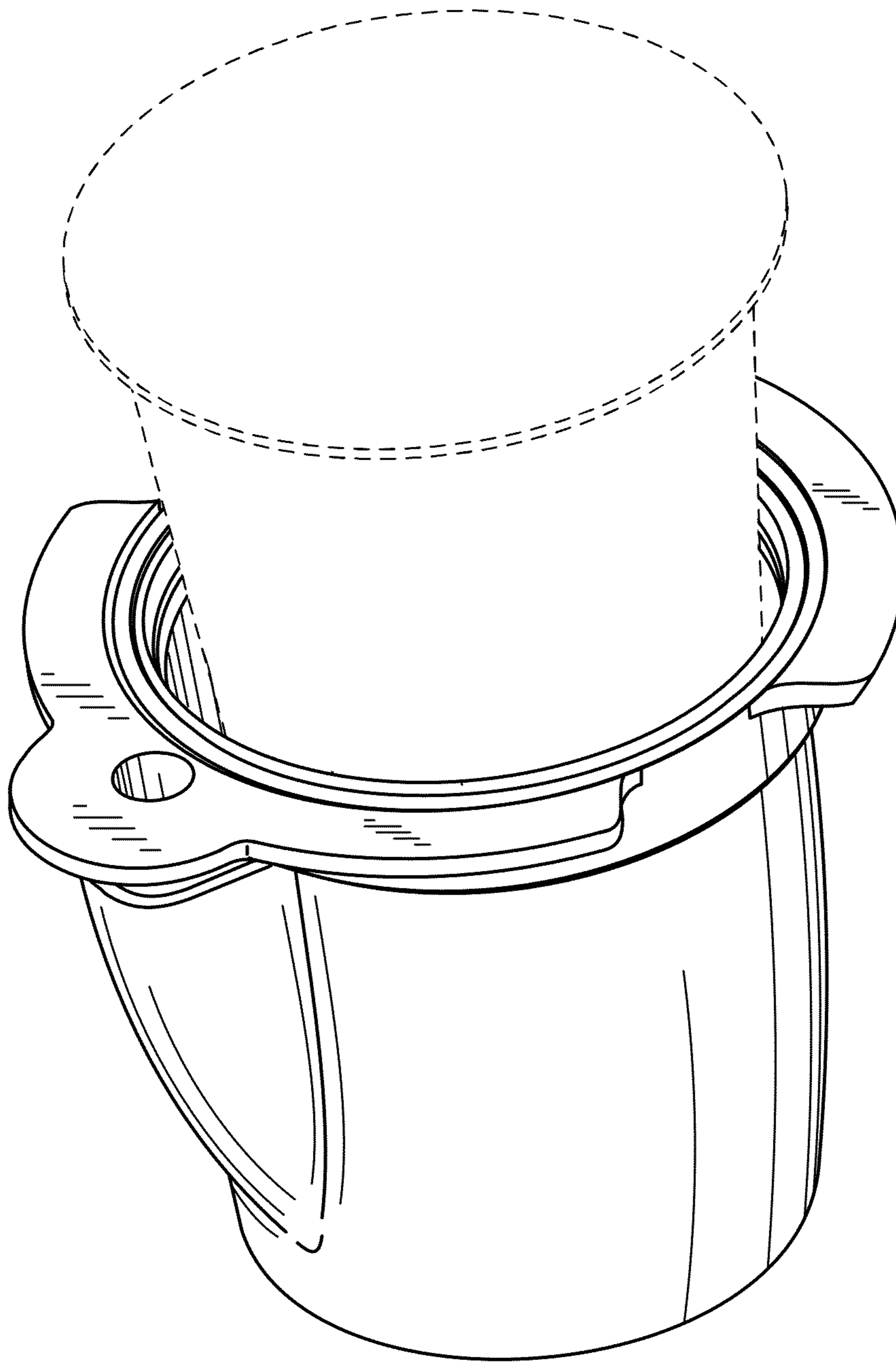


FIG. 1

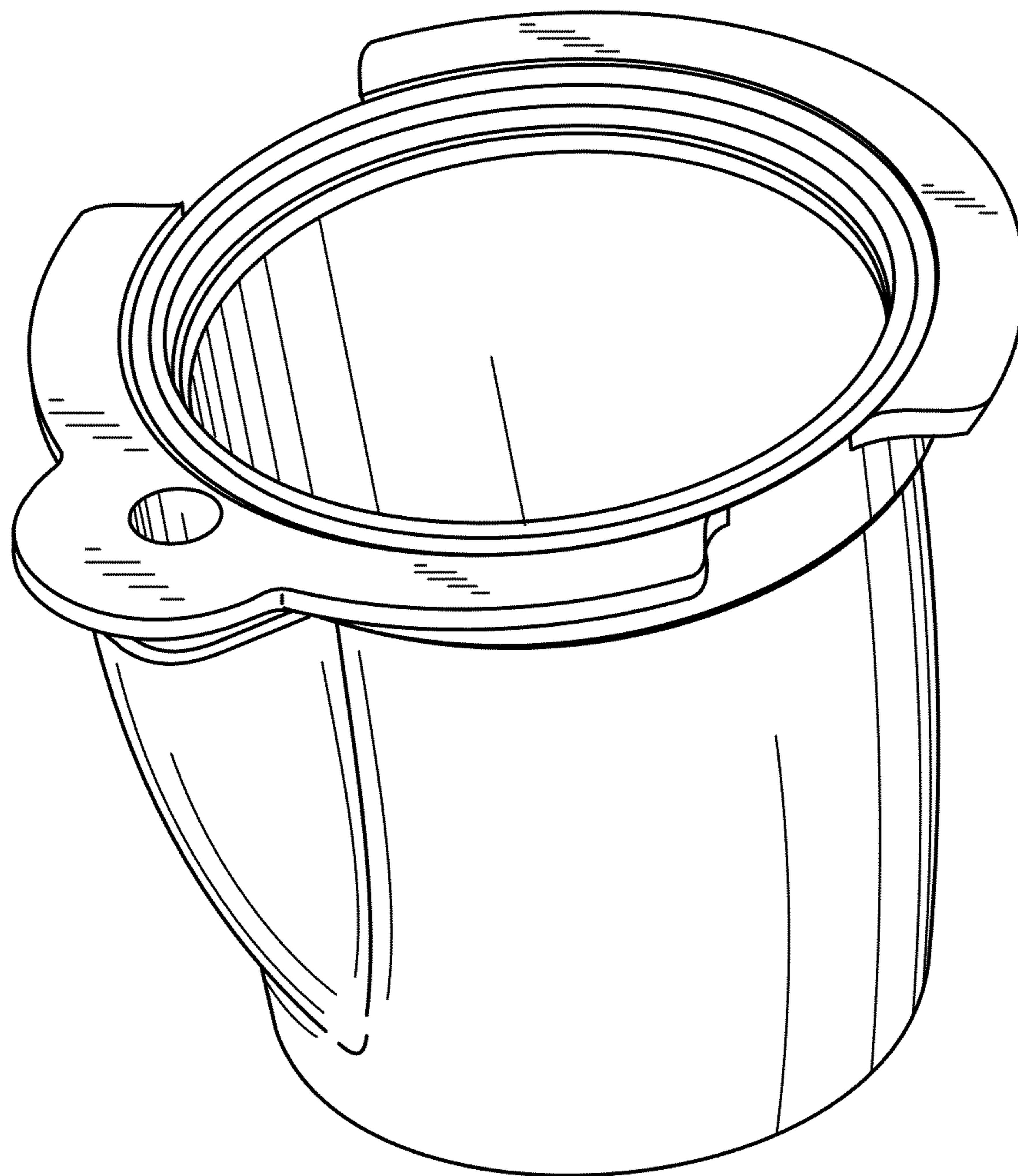


FIG. 2

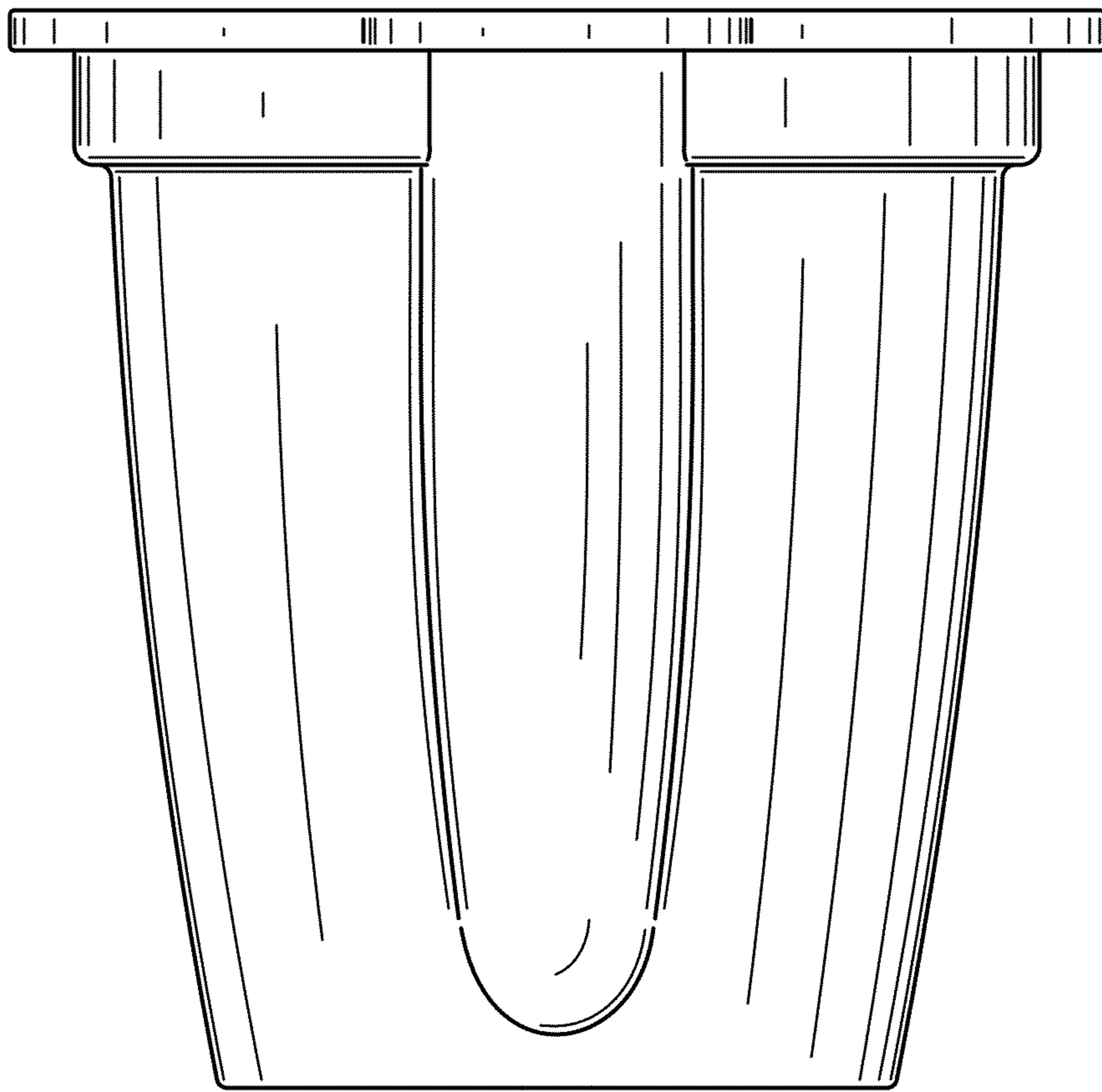


FIG. 3

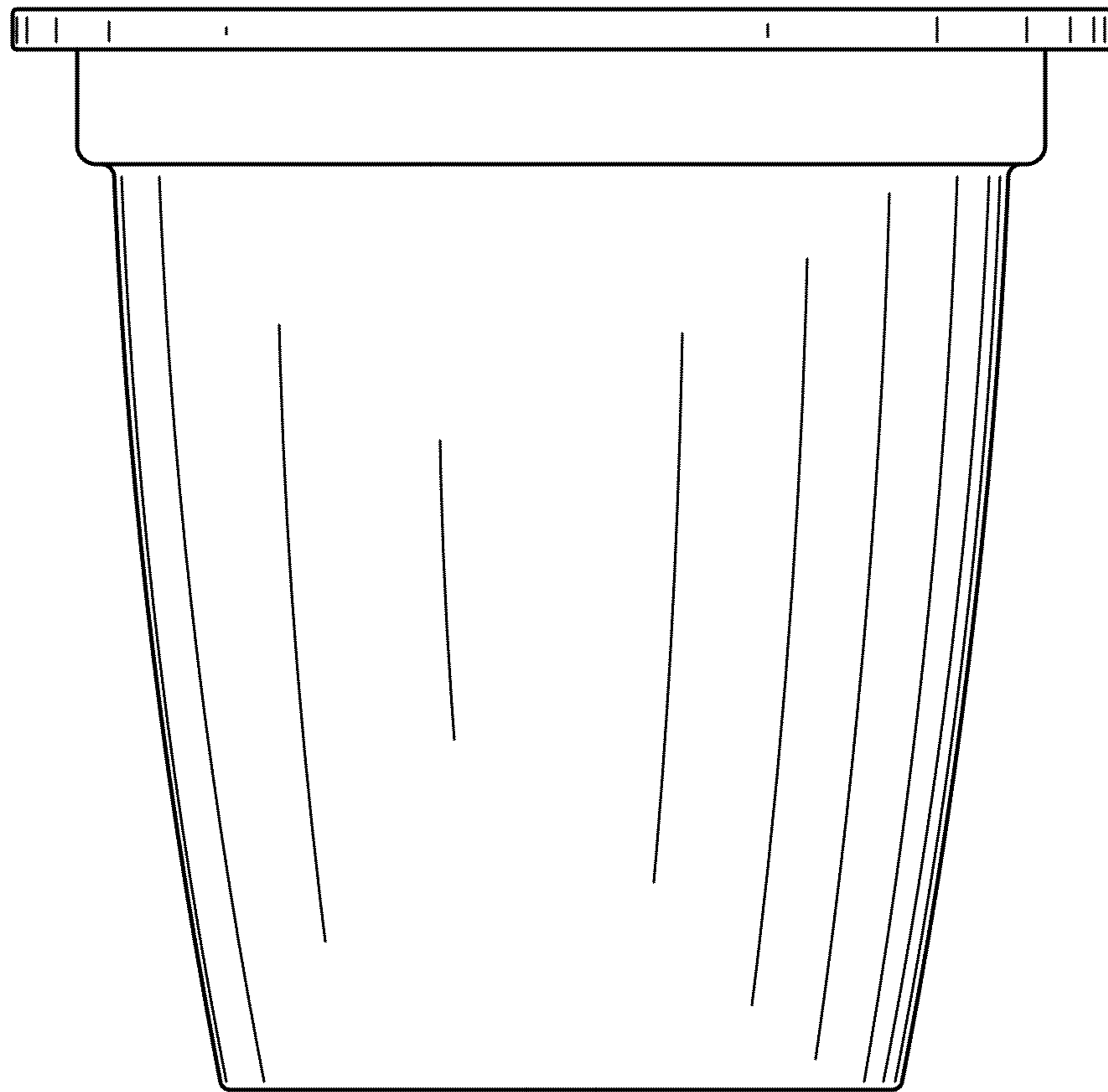


FIG. 4

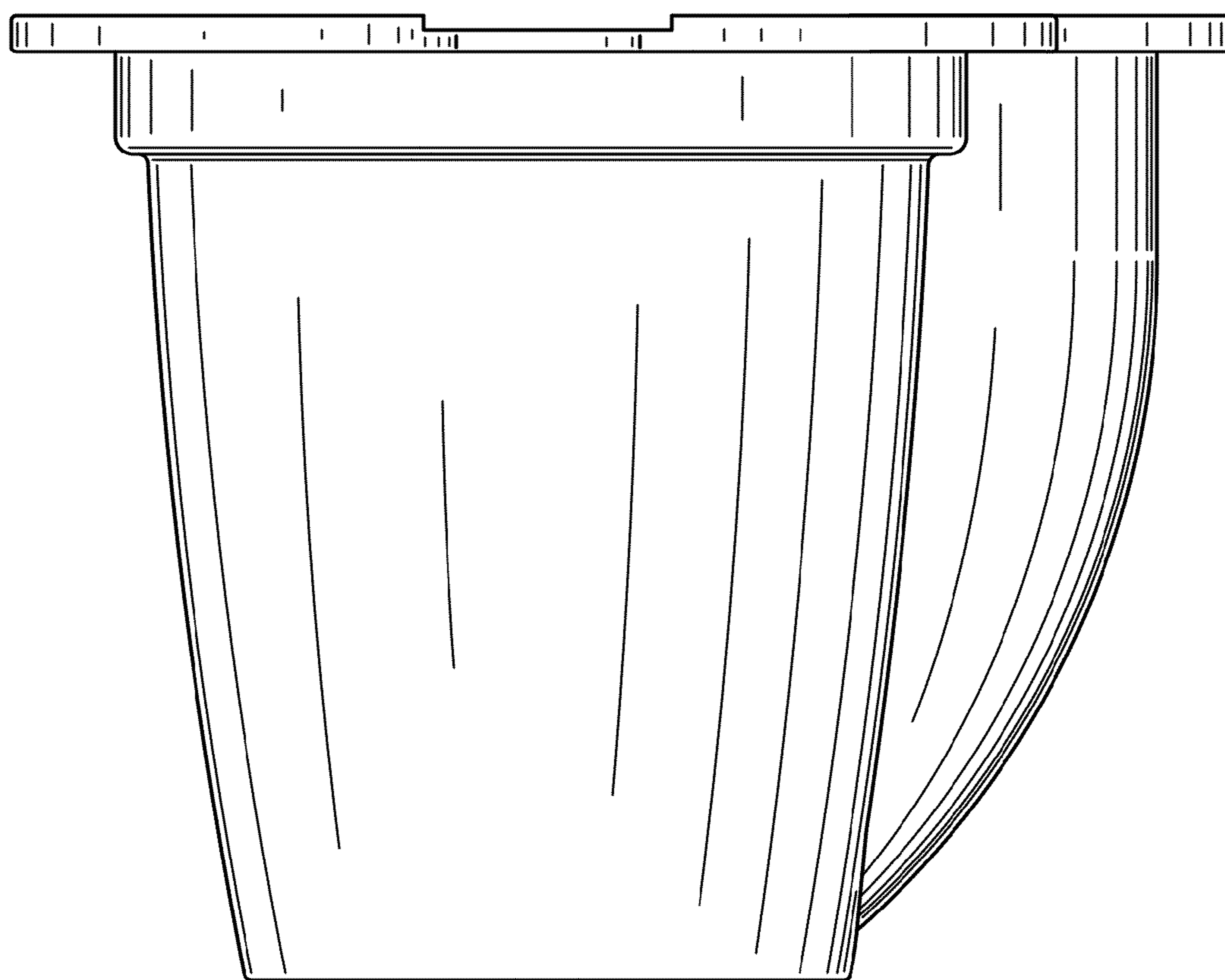


FIG. 5

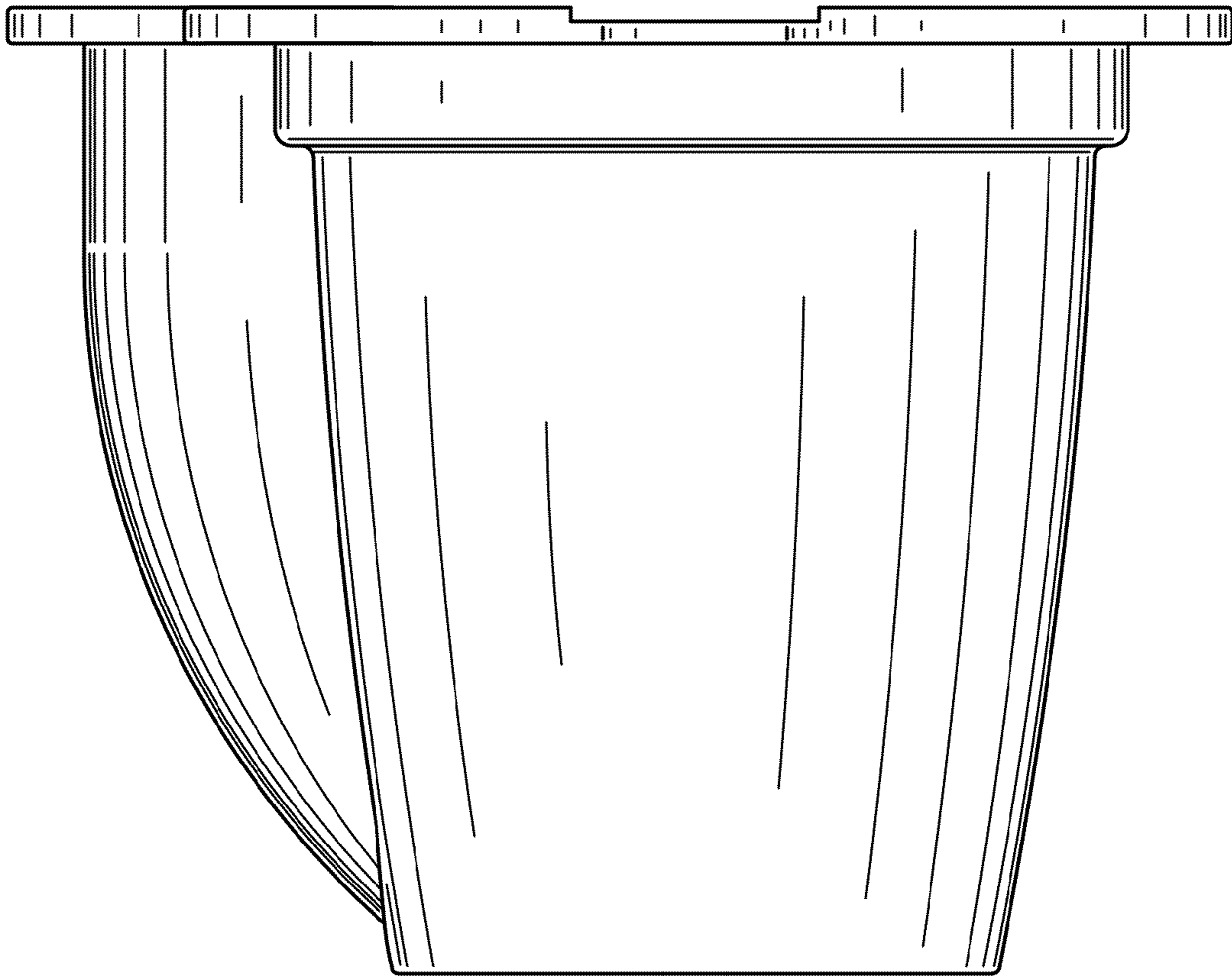


FIG. 6

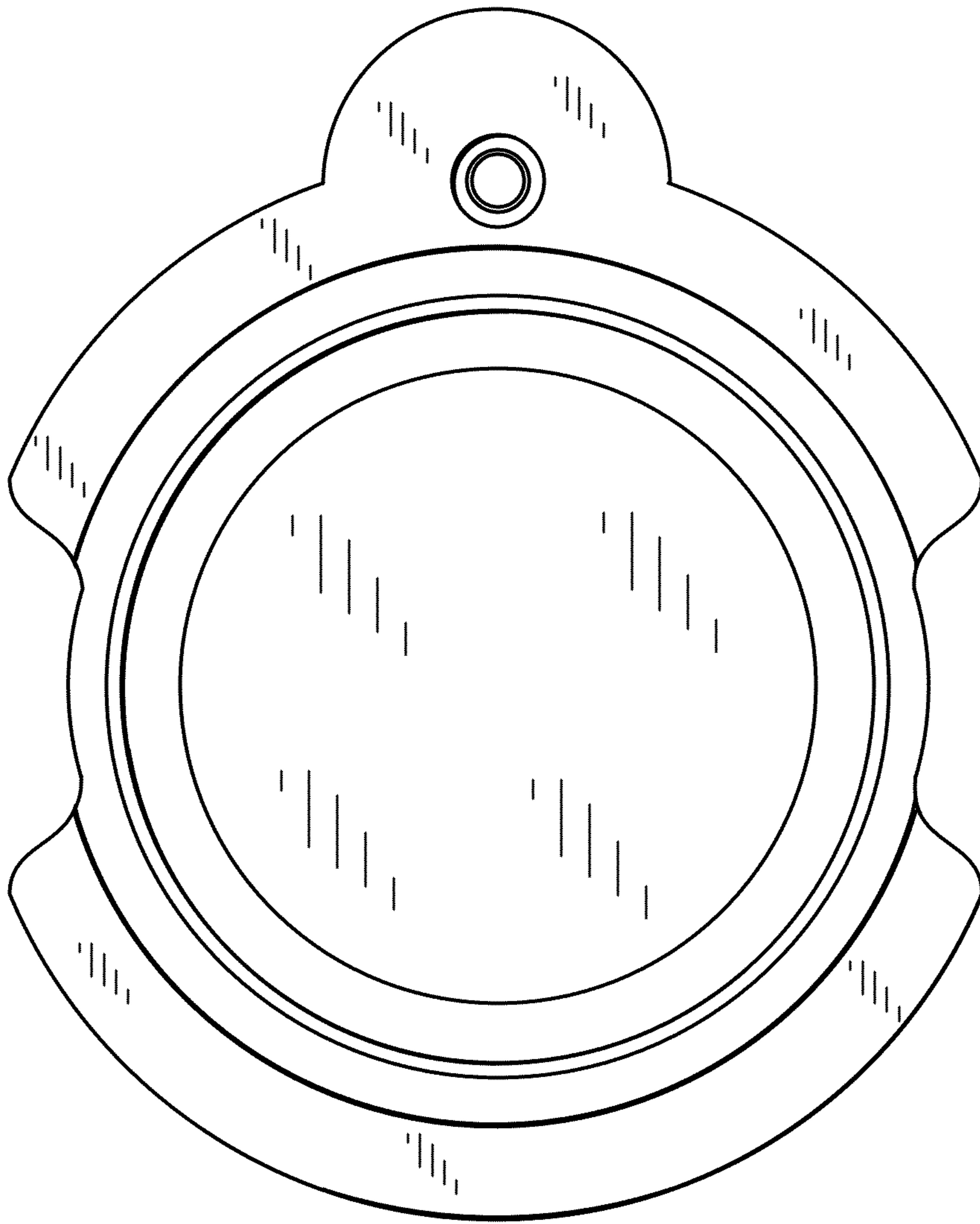


FIG. 7

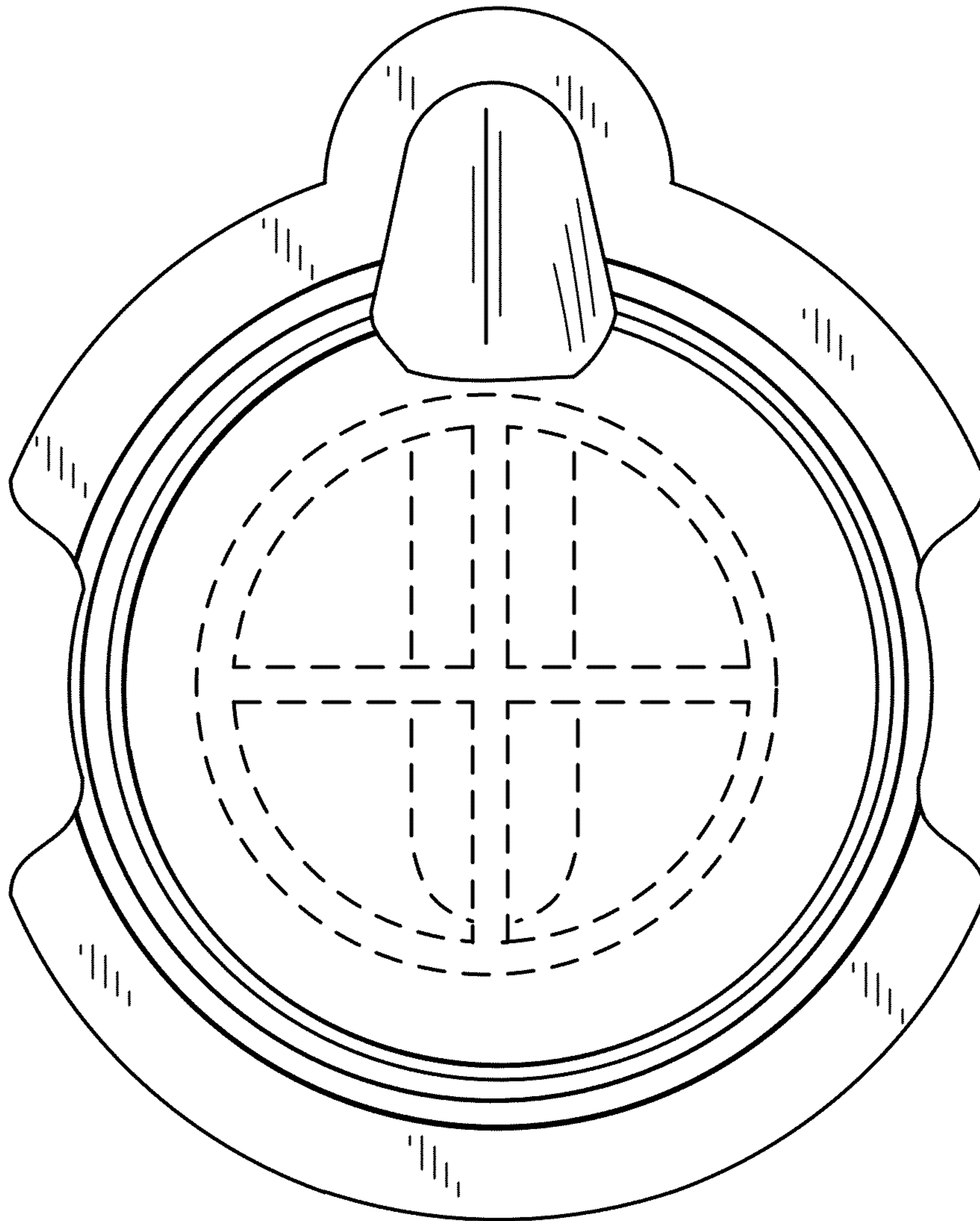


FIG. 8