



US00D707489S

(12) **United States Design Patent**  
**Hertaus**

(10) **Patent No.:** **US D707,489 S**  
(45) **Date of Patent:** **\*\* Jun. 24, 2014**

(54) **REUSABLE COFFEE POD FILTER**

(71) Applicant: **Lipper International, Inc.**, Wallingford, CT (US)

(72) Inventor: **Alan Hertaus**, Le Sueur, MN (US)

(73) Assignee: **Lipper International, Inc.**, Wallingford, CT (US)

(\*\*) Term: **14 Years**

(21) Appl. No.: **29/447,039**

(22) Filed: **Feb. 28, 2013**

(51) **LOC (10) Cl.** ..... **07-99**

(52) **U.S. Cl.**  
USPC ..... **D7/400; D7/397**

(58) **Field of Classification Search**  
USPC ..... D9/424, 428; D7/398, 400, 397;  
D23/209; 99/295, 323

See application file for complete search history.

(56) **References Cited**

**U.S. PATENT DOCUMENTS**

4,735,719	A *	4/1988	Benedict	.....	210/474
D340,382	S *	10/1993	Bannigan	.....	D7/400
5,325,765	A	7/1994	Sylvan et al.		
D407,602	S *	4/1999	Patel	.....	D7/400
6,645,537	B2 *	11/2003	Sweeney et al.	.....	426/79
6,658,989	B2	12/2003	Sweeney et al.		
6,810,788	B2 *	11/2004	Hale	.....	99/295
D606,363	S *	12/2009	Aardenburg	.....	D7/400
D607,329	S *	1/2010	Diss	.....	D9/500
7,856,921	B2 *	12/2010	Arrick et al.	.....	99/295
8,291,812	B2	10/2012	Rivera		
8,336,186	B2 *	12/2012	Bloome et al.	.....	29/509
D677,120	S *	3/2013	DeMiglio et al.	.....	D7/400
D687,297	S *	8/2013	O'Brien et al.	.....	D9/429
D698,649	S *	2/2014	Quint	.....	D9/500

8,656,827	B2 *	2/2014	Vanni	.....	99/295
D700,475	S *	3/2014	Avigdor et al.	.....	D7/400
D703,039	S *	4/2014	Hansen	.....	D9/429
2005/0236323	A1	10/2005	Oliver et al.		
2006/0201329	A1	9/2006	Lynch		
2009/0200301	A1 *	8/2009	Beekman et al.	.....	220/4.27
2010/0028495	A1	2/2010	Novak et al.		
2010/0303964	A1 *	12/2010	Beaulieu et al.	.....	426/77
2011/0274802	A1	11/2011	Rivera		
2012/0207895	A1	8/2012	Rivera		
2012/0207896	A1	8/2012	Rivera		
2012/0285330	A1	11/2012	Demiglio et al.		
2012/0285334	A1	11/2012	DeMiglio et al.		
2013/0017303	A1	1/2013	Vu		
2013/0101716	A1 *	4/2013	Beaulieu et al.	.....	426/431

\* cited by examiner

*Primary Examiner* — Marianne Pandozzi

(74) *Attorney, Agent, or Firm* — Lucas & Mercanti, LLP

(57) **CLAIM**

The ornamental design for a reusable coffee pod filter, as shown and described.

**DESCRIPTION**

FIG. 1 is a front, perspective view of the reusable coffee pod filter of the present invention;

FIG. 2 is a front view of the reusable coffee pod filter shown in FIG. 1;

FIG. 3 is a right view of the reusable coffee pod filter shown in FIG. 1;

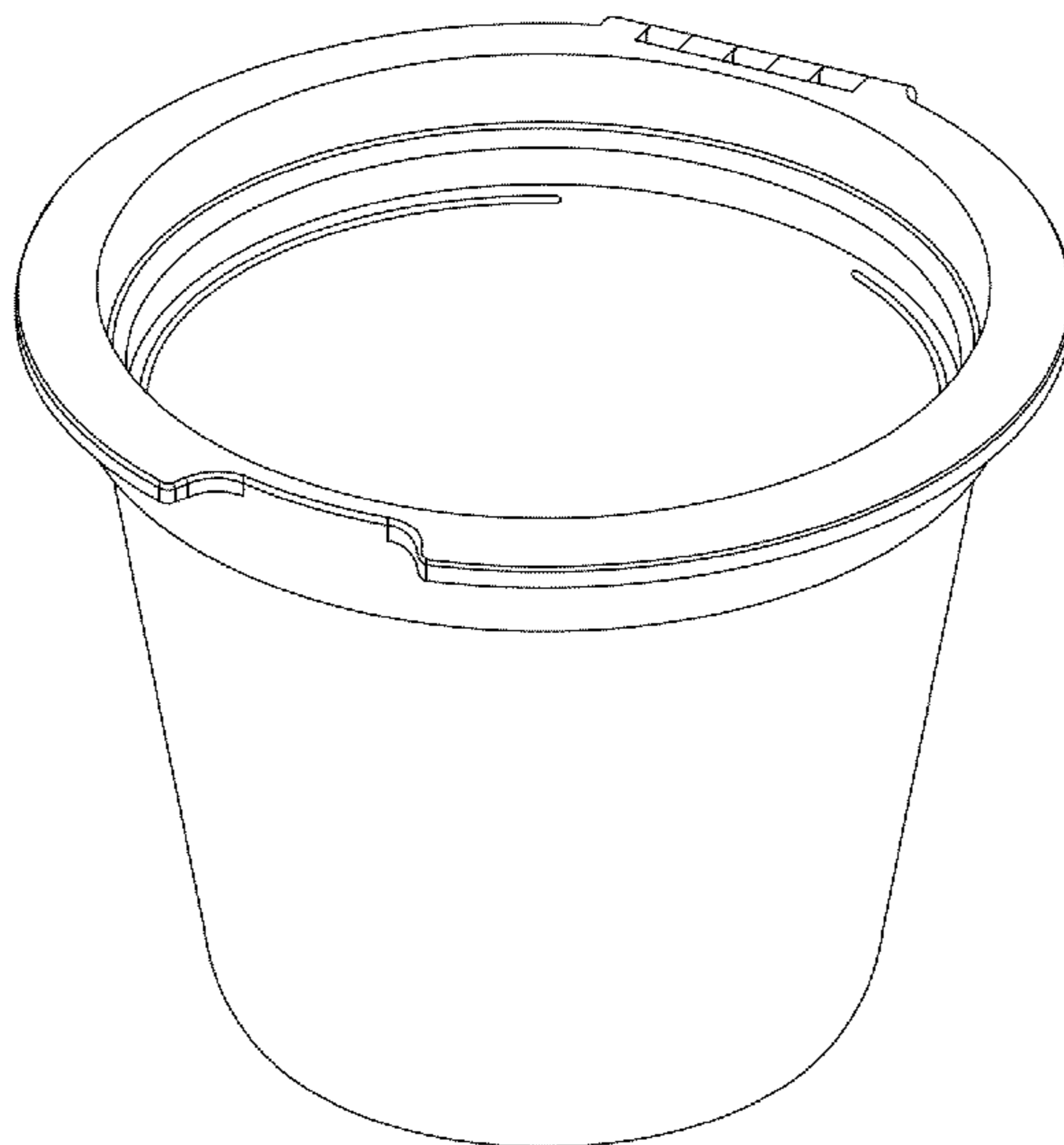
FIG. 4 is a back view of the reusable coffee pod filter shown in FIG. 1;

FIG. 5 is a top plan view of the reusable coffee pod filter shown in FIG. 1;

FIG. 6 is a left view of the reusable coffee pod filter shown in FIG. 1; and,

FIG. 7 is a bottom plan view of the reusable coffee pod filter shown in FIG. 1.

**1 Claim, 7 Drawing Sheets**



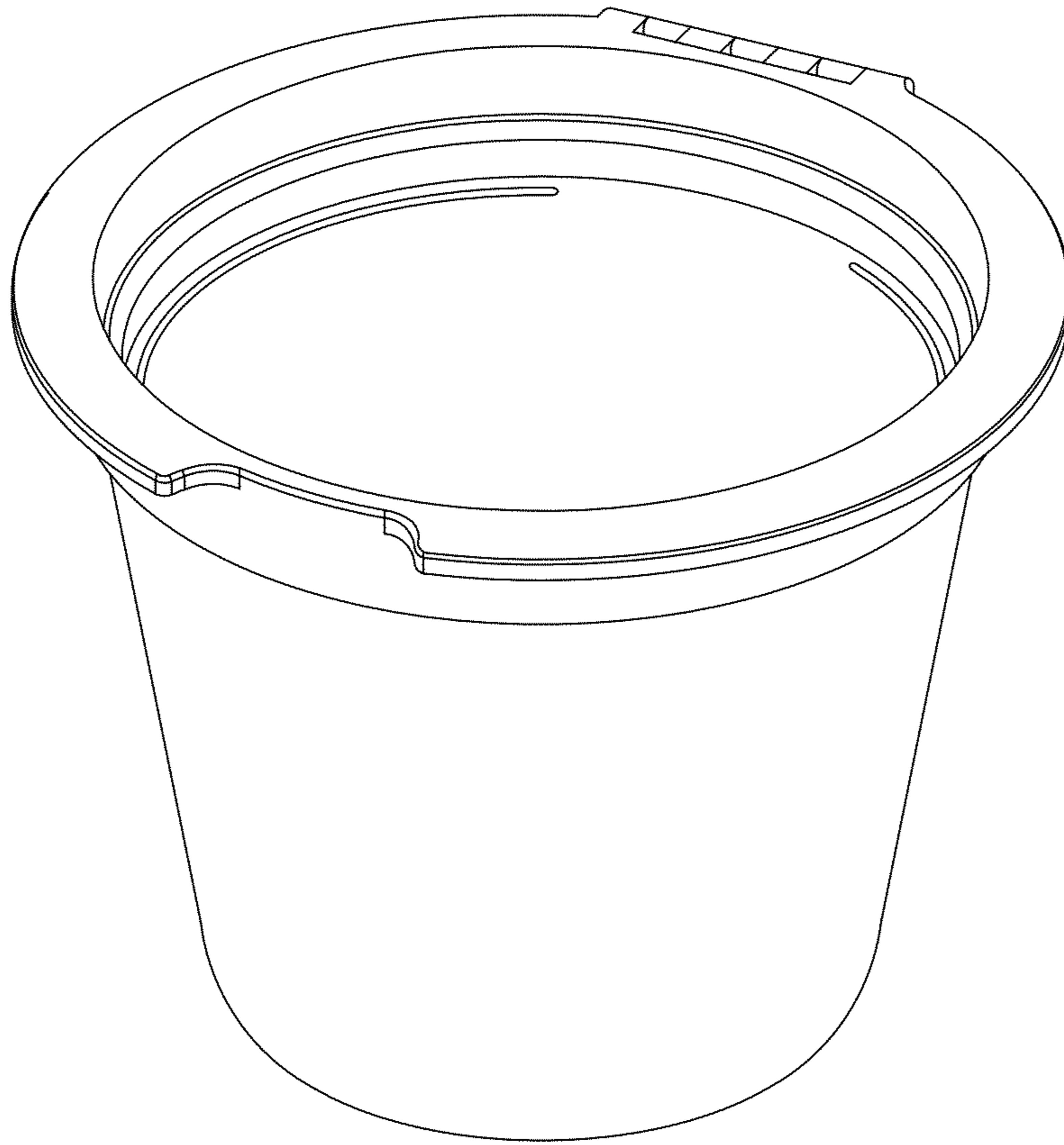


FIG. 1

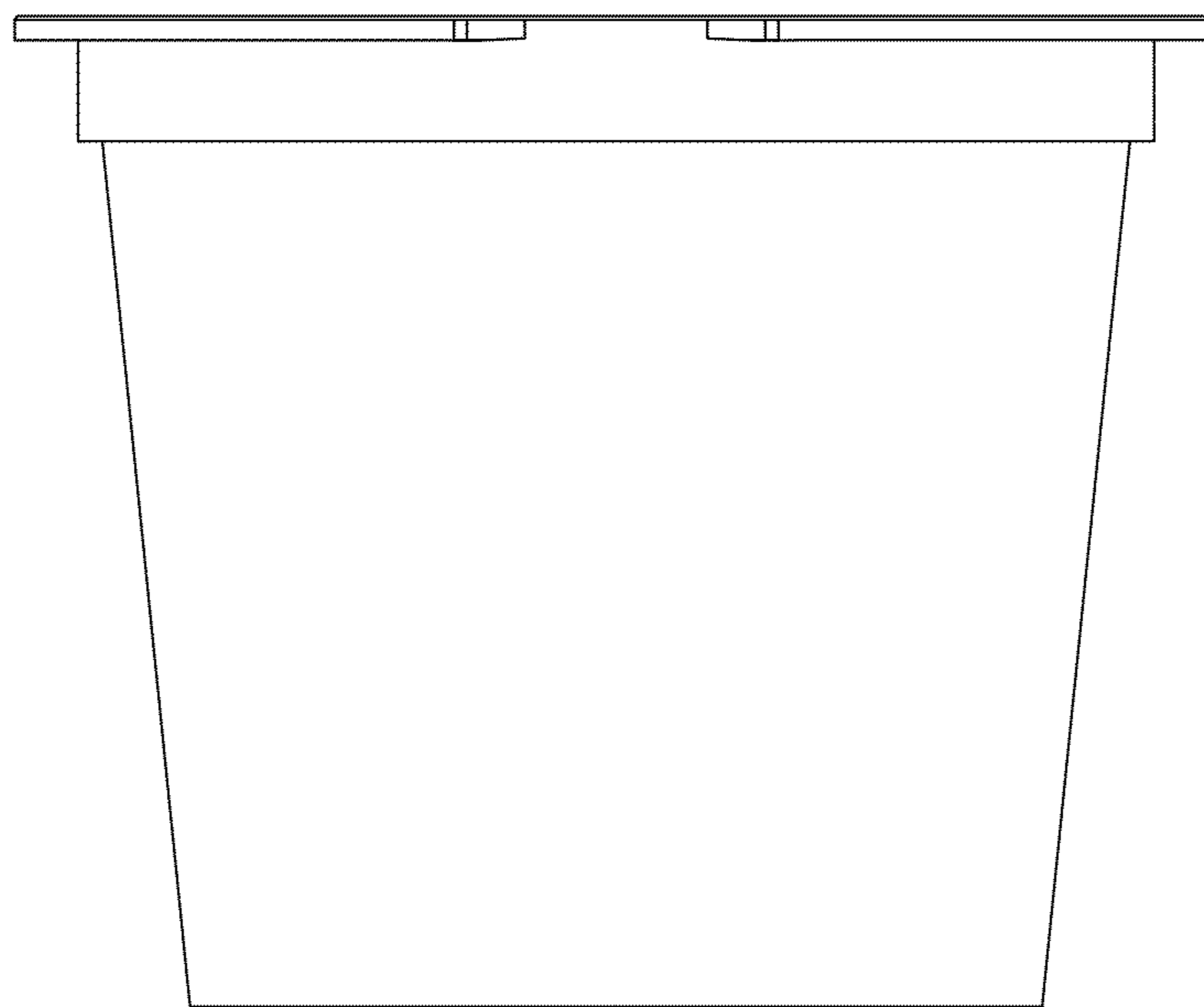


FIG. 2

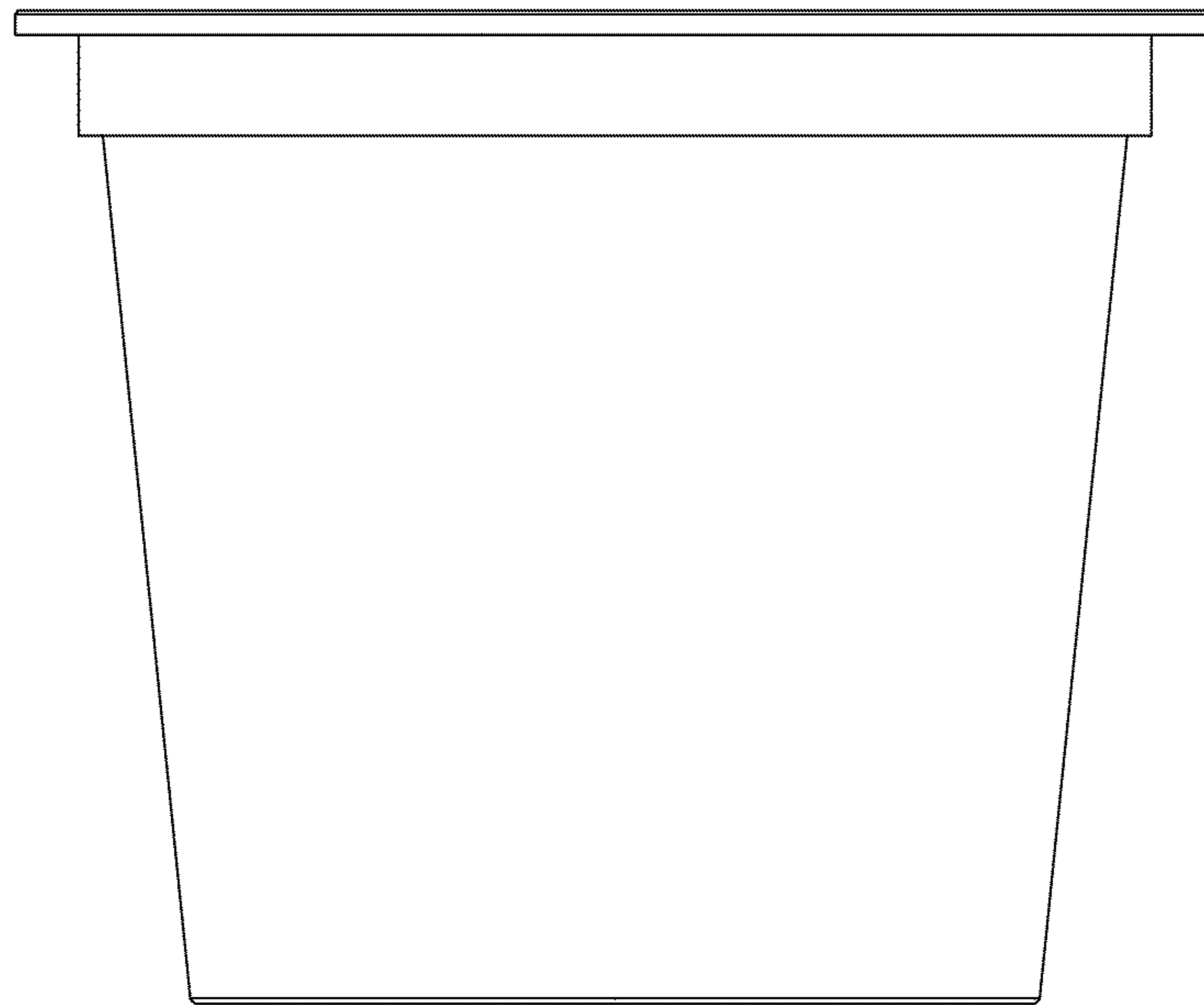


FIG. 3

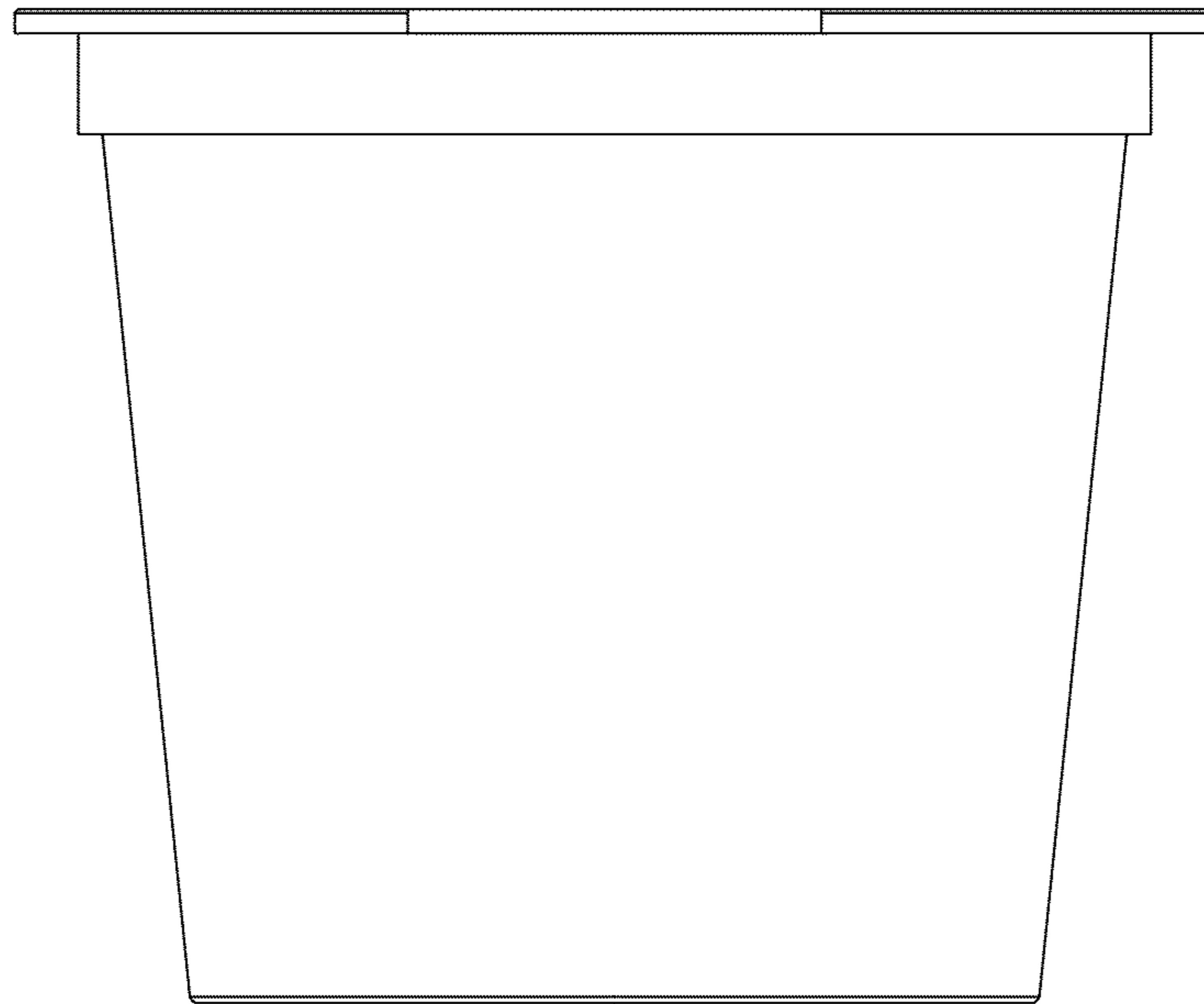


FIG. 4

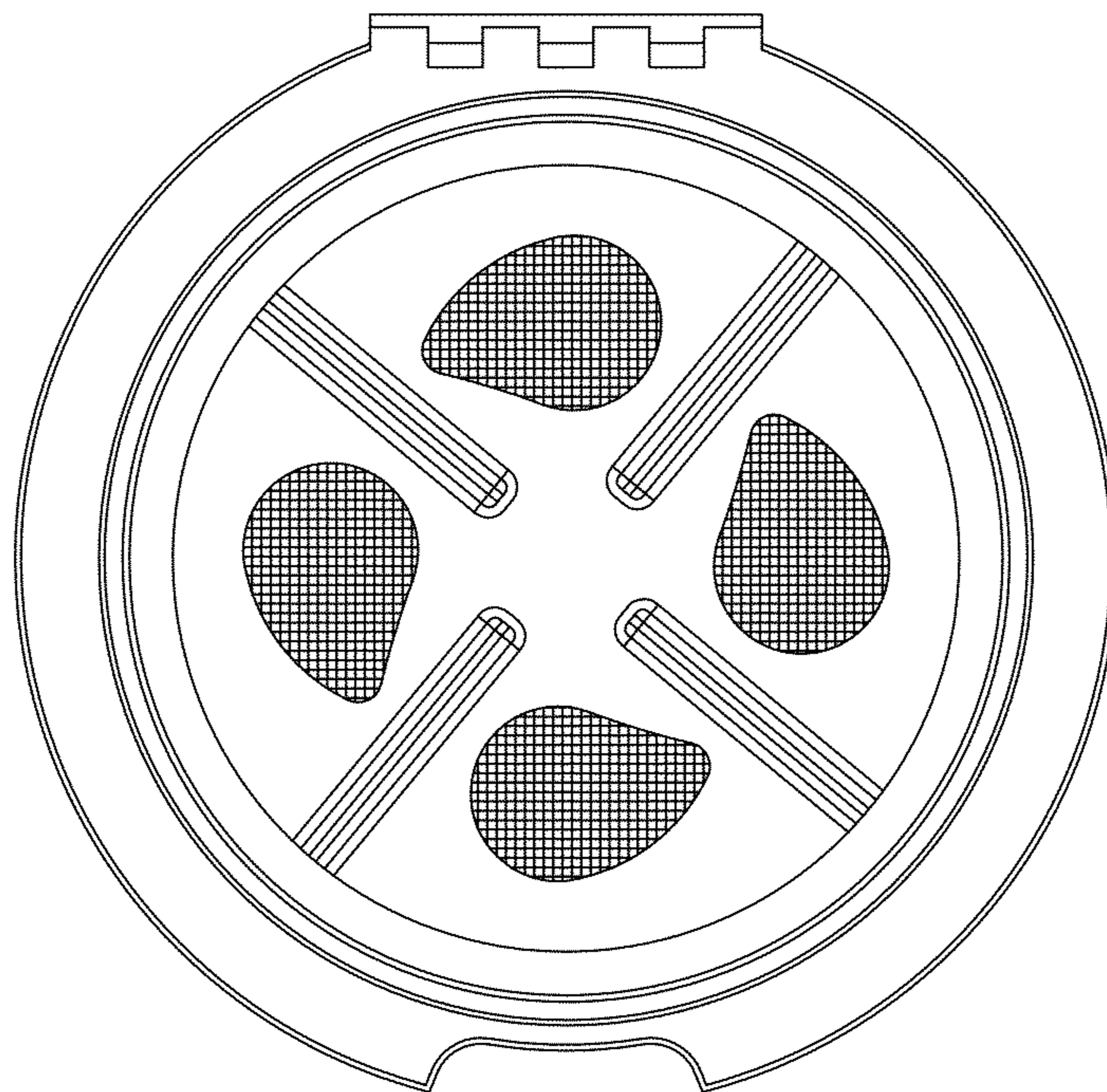


FIG. 5

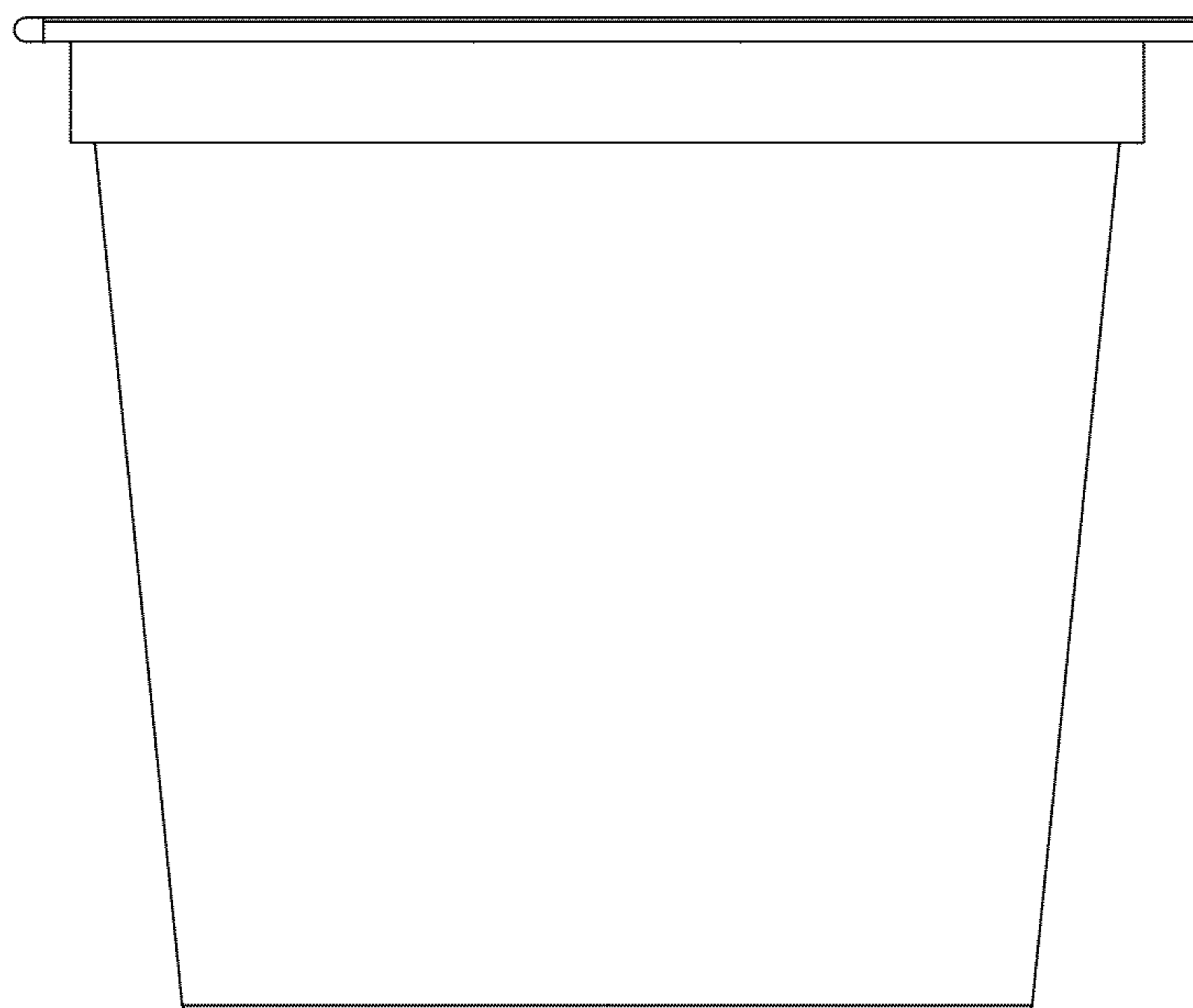


FIG. 6



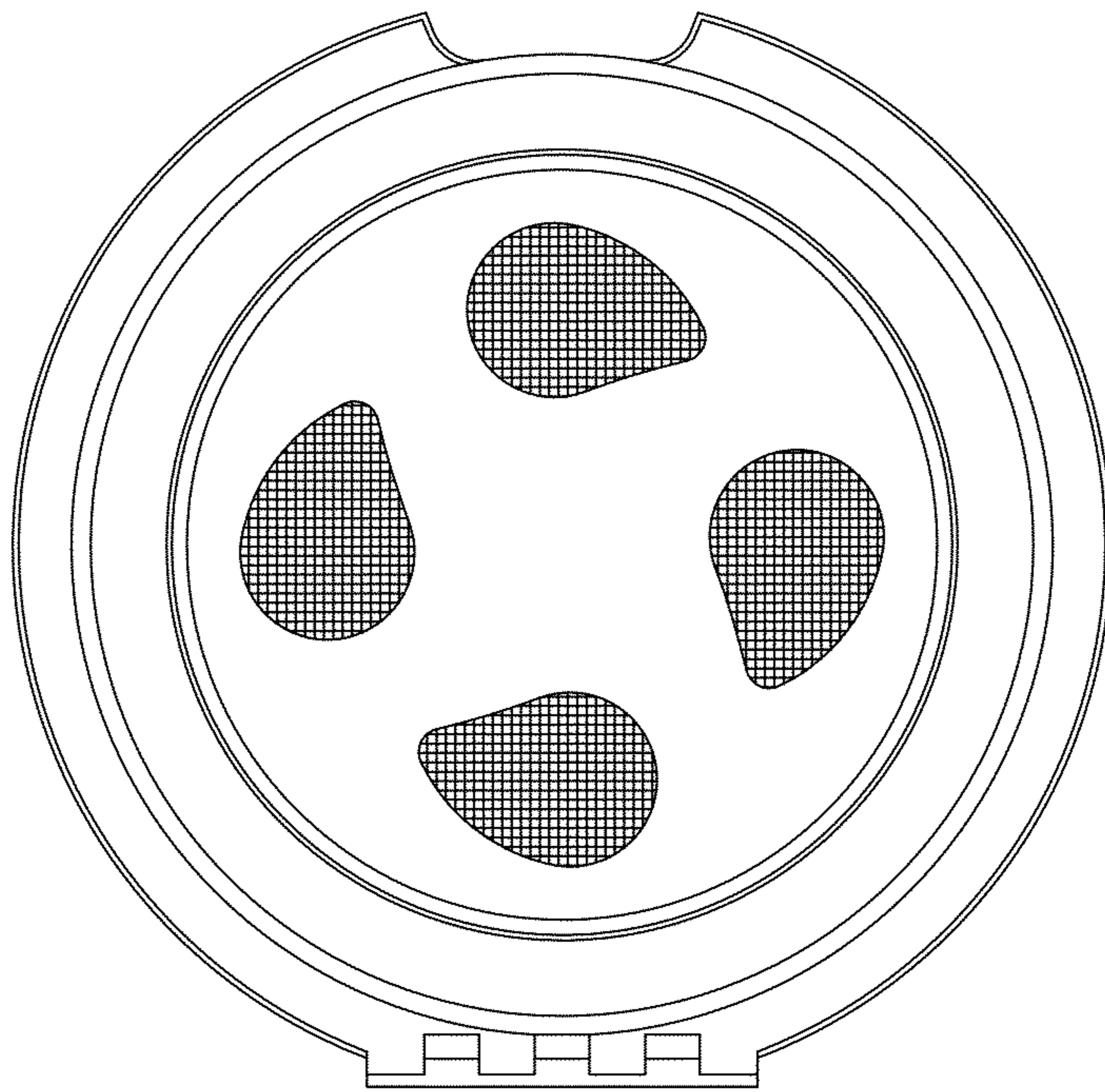


FIG. 7