



US00D707488S

(12) **United States Design Patent**
Cornu et al.

(10) **Patent No.:** **US D707,488 S**
(45) **Date of Patent:** **** Jun. 24, 2014**

(54) **KITCHEN APPLIANCE BASE**
(71) Applicant: **Dart Industries Inc.**, Orlando, FL (US)
(72) Inventors: **Judicaël Cornu**, Brussels (BE); **Vincent Jalet**, Brussels (BE)
(73) Assignee: **Dart Industries Inc.**, Orlando, FL (US)
(**) Term: **14 Years**

D199,888 S * 12/1964 Dewenter D7/378
3,240,246 A * 3/1966 Dewenter 241/98
3,376,910 A * 4/1968 Popeil
D343,987 S * 2/1994 Rotte D7/386
5,970,860 A 10/1999 Yip
D474,369 S 5/2003 Benzon et al.
D479,666 S * 9/2003 Barker D7/378
D519,314 S * 4/2006 Blaise D7/378
7,207,510 B2 4/2007 Wong
D547,118 S * 7/2007 Picozza et al. D7/412
D577,944 S * 10/2008 Spiegel D7/309
D622,772 S * 8/2010 Farnworth et al. D19/73

(21) Appl. No.: **29/471,648**

(Continued)

(22) Filed: **Nov. 4, 2013**

OTHER PUBLICATIONS

(51) **LOC (10) Cl.** **31-00**

Tefal® Fresh Express Food Processor; Model #MB754540; Jun. 20, 2013.

(52) **U.S. Cl.**

Primary Examiner — Ricky Pham

USPC **D7/386**; D7/378; D7/412

(74) *Attorney, Agent, or Firm* — Taylor J. Ross

(58) **Field of Classification Search**

CPC A21C 1/02; A21C 1/04; A23N 1/00;
A23N 1/02; A47J 43/04; A47J 43/25; A47J
43/27; A47J 43/042; A47J 43/044; A47J
43/046; A47J 43/075; A47J 43/0722; A47J
43/0727; B01F 3/00; B01F 3/0807; B01F
3/0853; B01F 13/0059; B01F 13/0064;
B02C 1/08; B02C 2/04; B02C 4/42; B02C
4/142; B02C 4/143; B02C 4/423; B02C
13/1835; B28C 5/10; B28C 5/12; B28C 5/14;
B28C 5/16

(57) **CLAIM**

The ornamental design for a kitchen appliance base, as shown and described.

USPC D7/309, 372, 376–386, 412–413,
D7/665–666; D19/73; 99/509–511;
241/98, 101.01–101.2, 166–169.1,
241/274–278.2, 285.1–285.3, 291, 292.1;
366/64–65, 97–98, 100, 197–201,
366/205–207, 219–220, 341–343

DESCRIPTION

See application file for complete search history.

This application is related to co-pending application Ser. Nos. 14/071,624 and 29/471,646, which are incorporated by reference herein.

FIG. 1 is a top, front and left side perspective view of a kitchen appliance base showing our new design;

FIG. 2 is a top plan view thereof;

FIG. 3 is a bottom plan view thereof;

FIG. 4 is a front elevation view thereof;

FIG. 5 is a rear elevation view thereof;

FIG. 6 is a right side elevation view, the left side being a mirror image thereof; and,

FIG. 7 is a cross-sectional view taken along line 7-7 of FIG. 4.

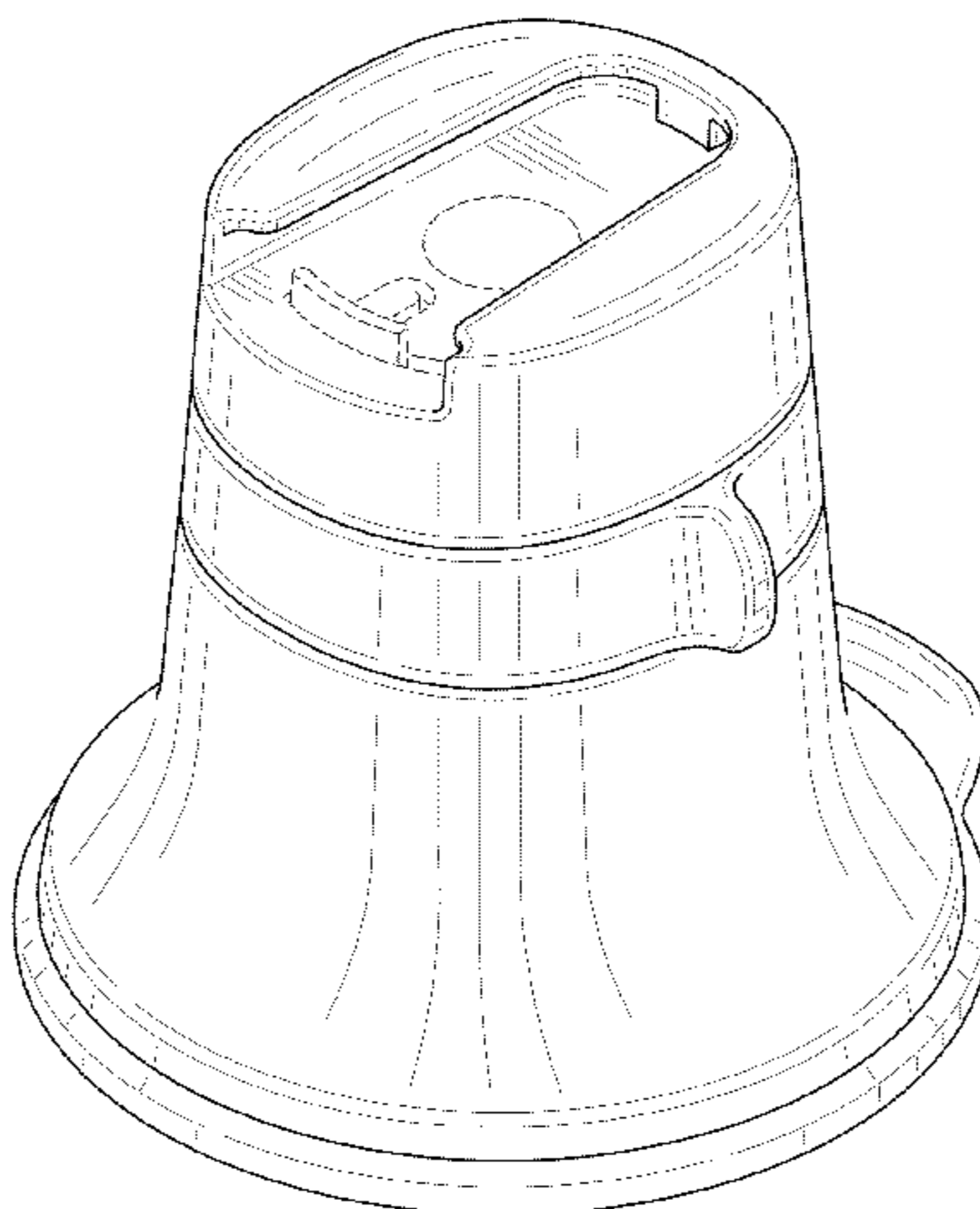
The broken lines shown in the drawings are for illustrative purposes only and form no part of the claimed design.

(56) **References Cited**

U.S. PATENT DOCUMENTS

D115,517 S * 7/1939 Hook D7/378
D175,601 S * 9/1955 Huck D7/386

1 Claim, 4 Drawing Sheets



(56)

References Cited

U.S. PATENT DOCUMENTS

D694,060 S *	11/2013	Paraskevopoulos et al. ..	D7/386
2005/0122837 A1 *	6/2005	Bravard et al.	366/199
D670,957 S *	11/2012	Huang et al.	D7/386

* cited by examiner

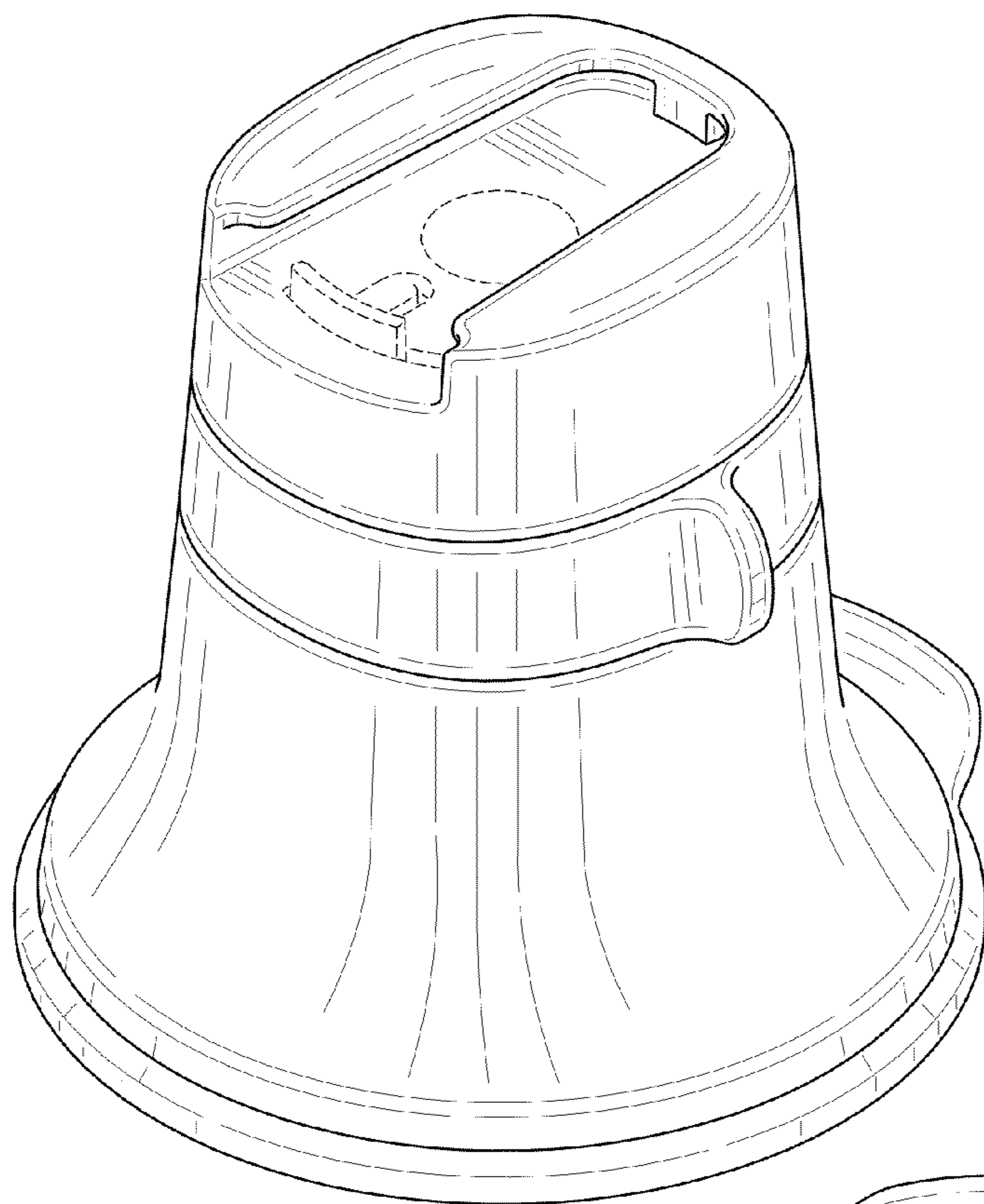


FIG. 1

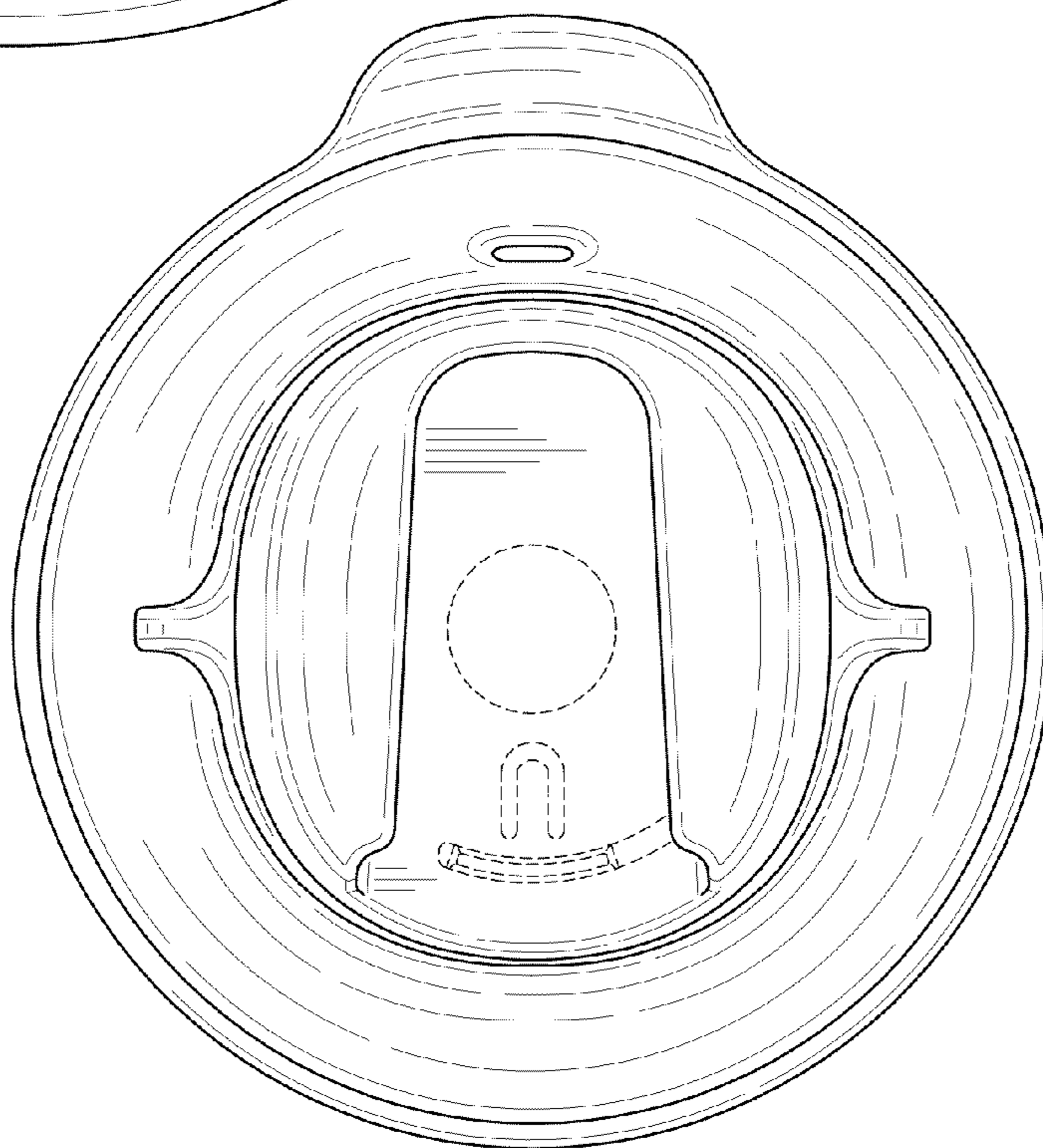


FIG. 2

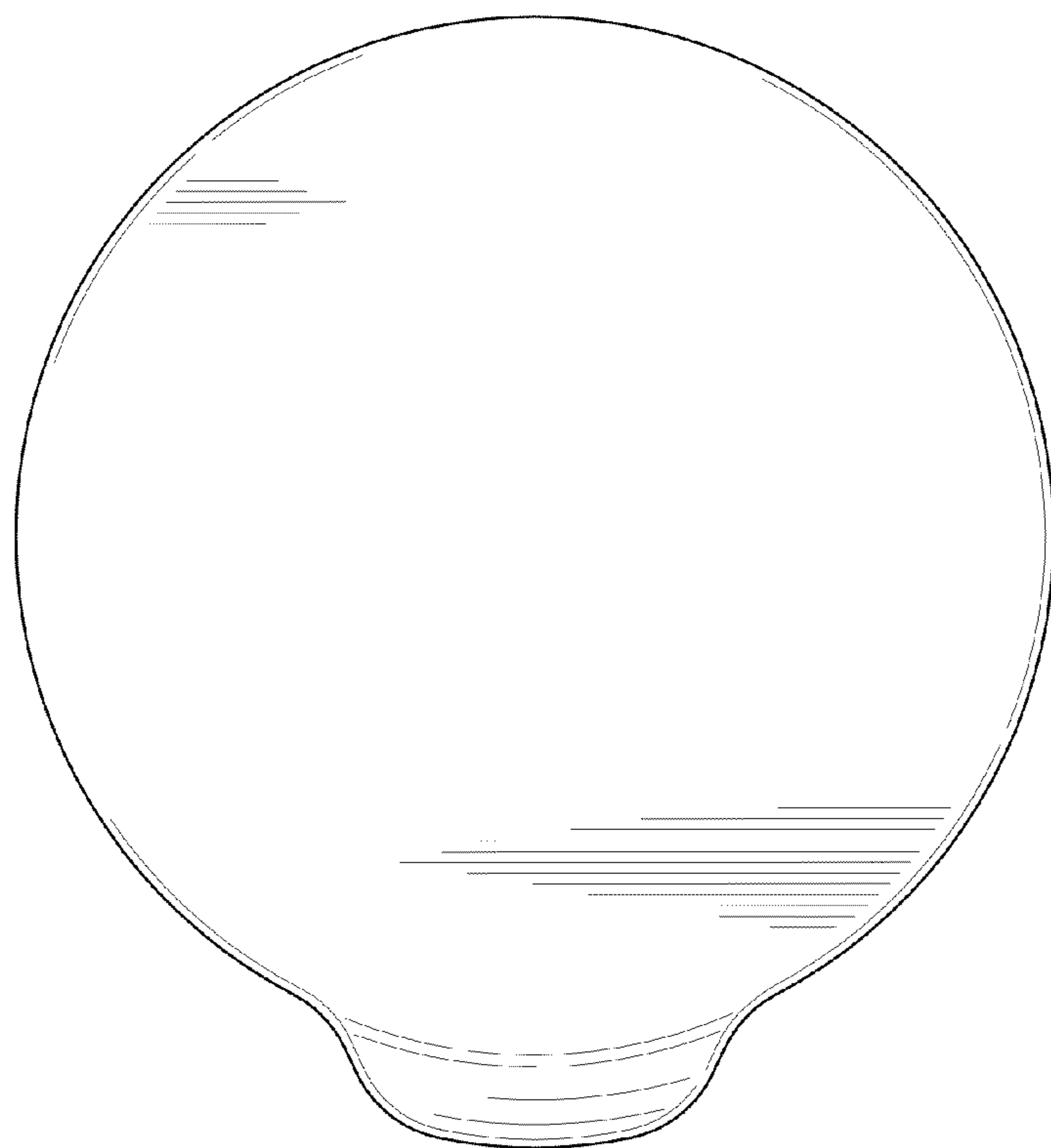


FIG. 3

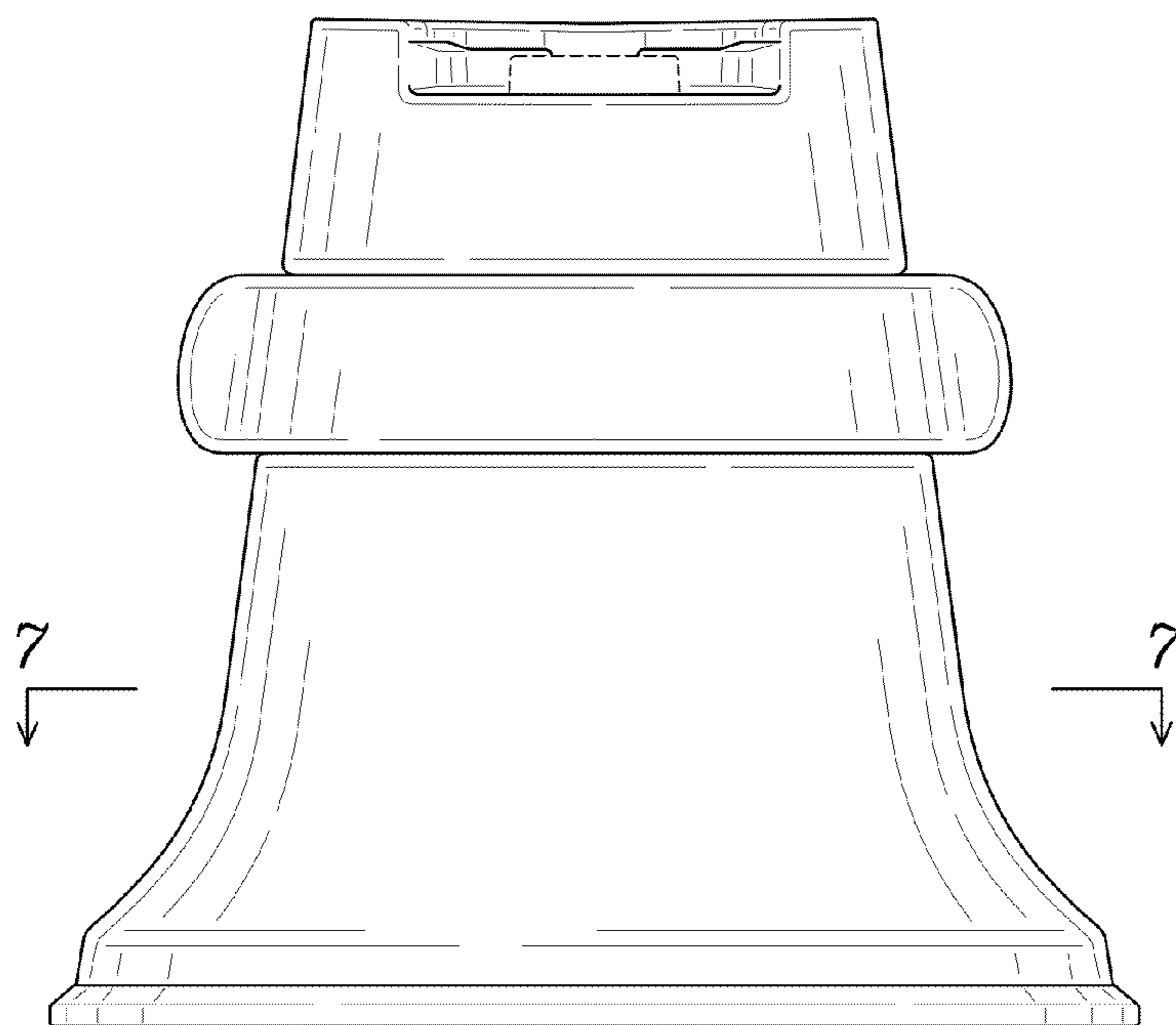


FIG. 4

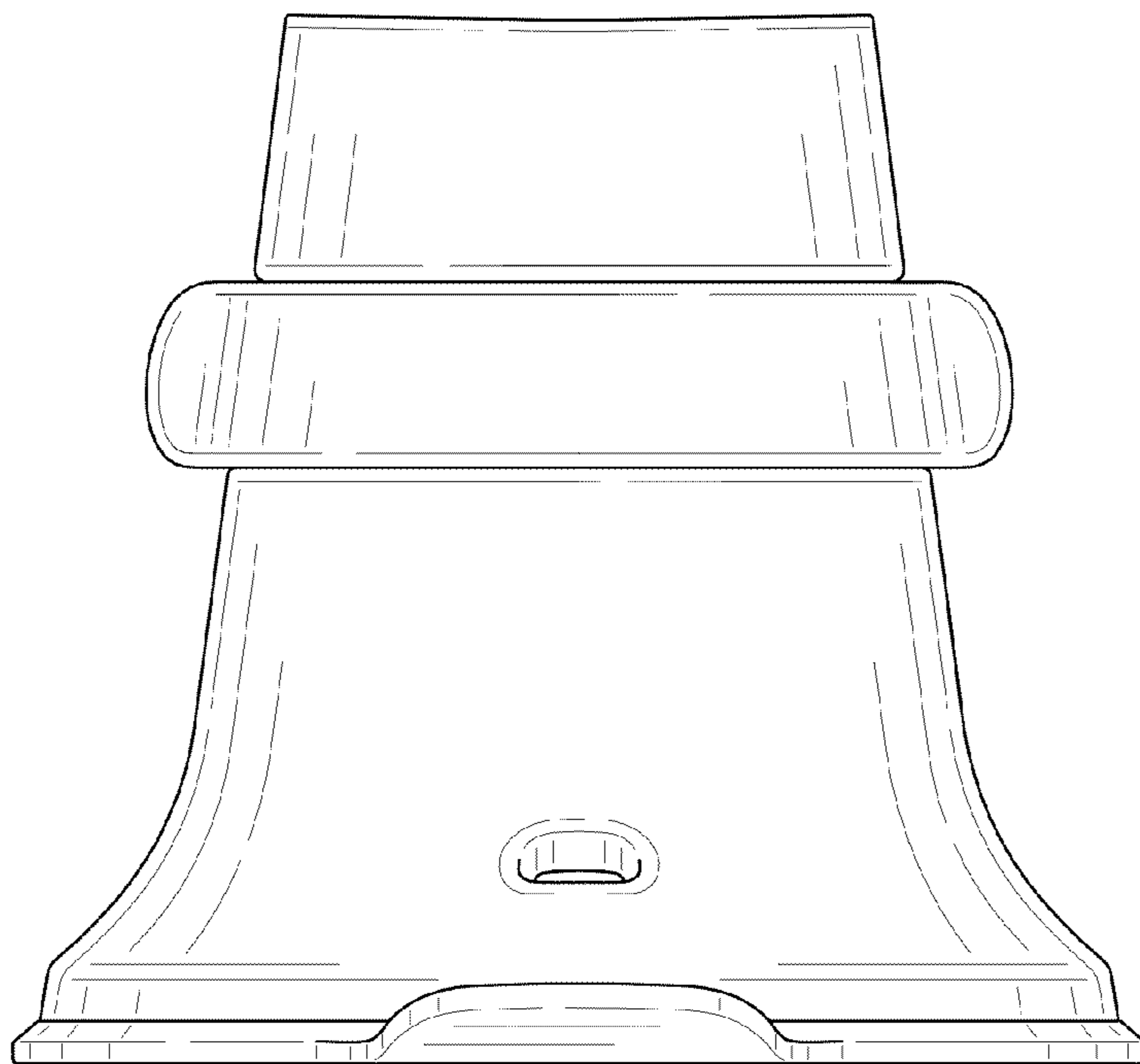


FIG. 5

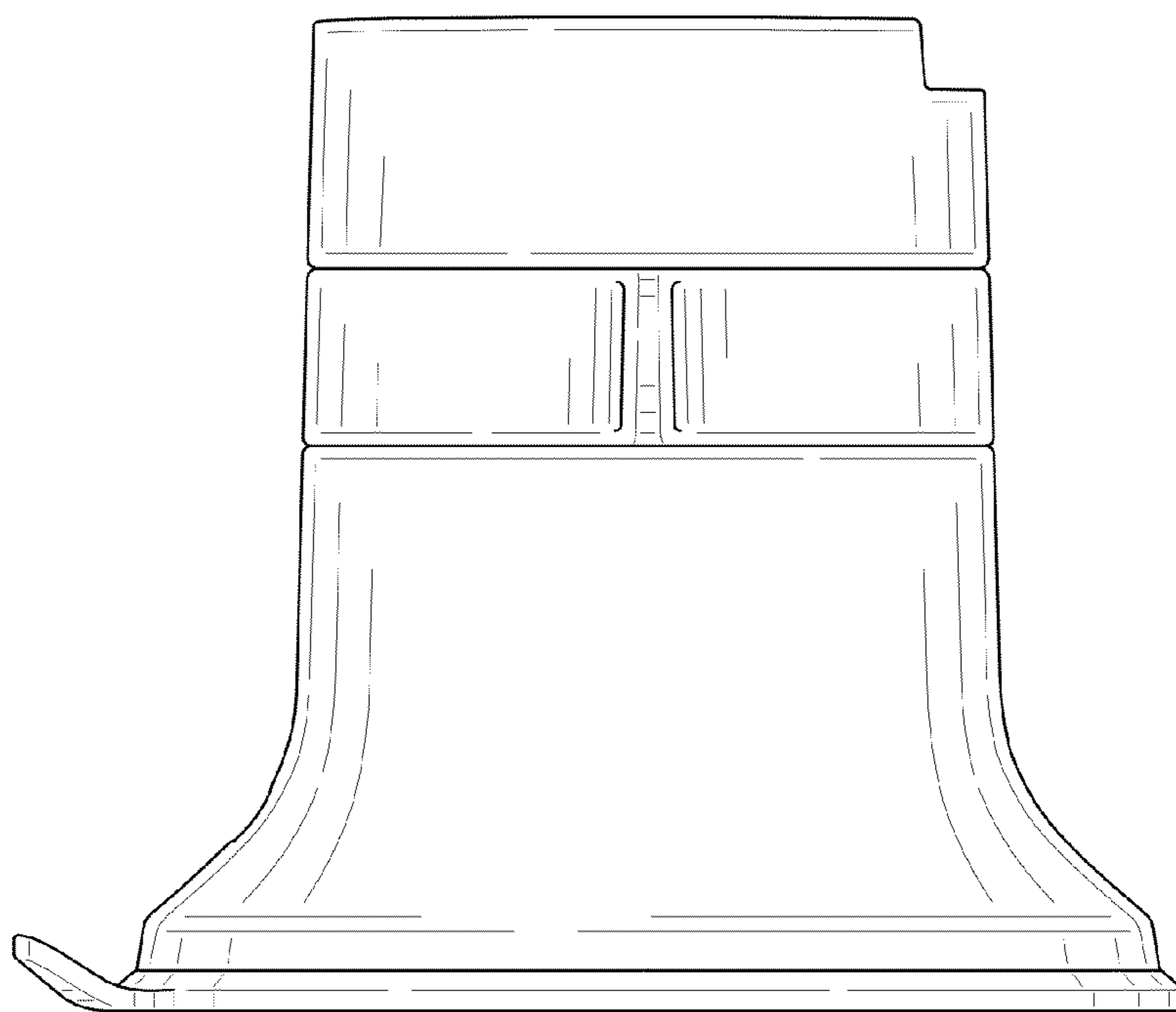


FIG. 6

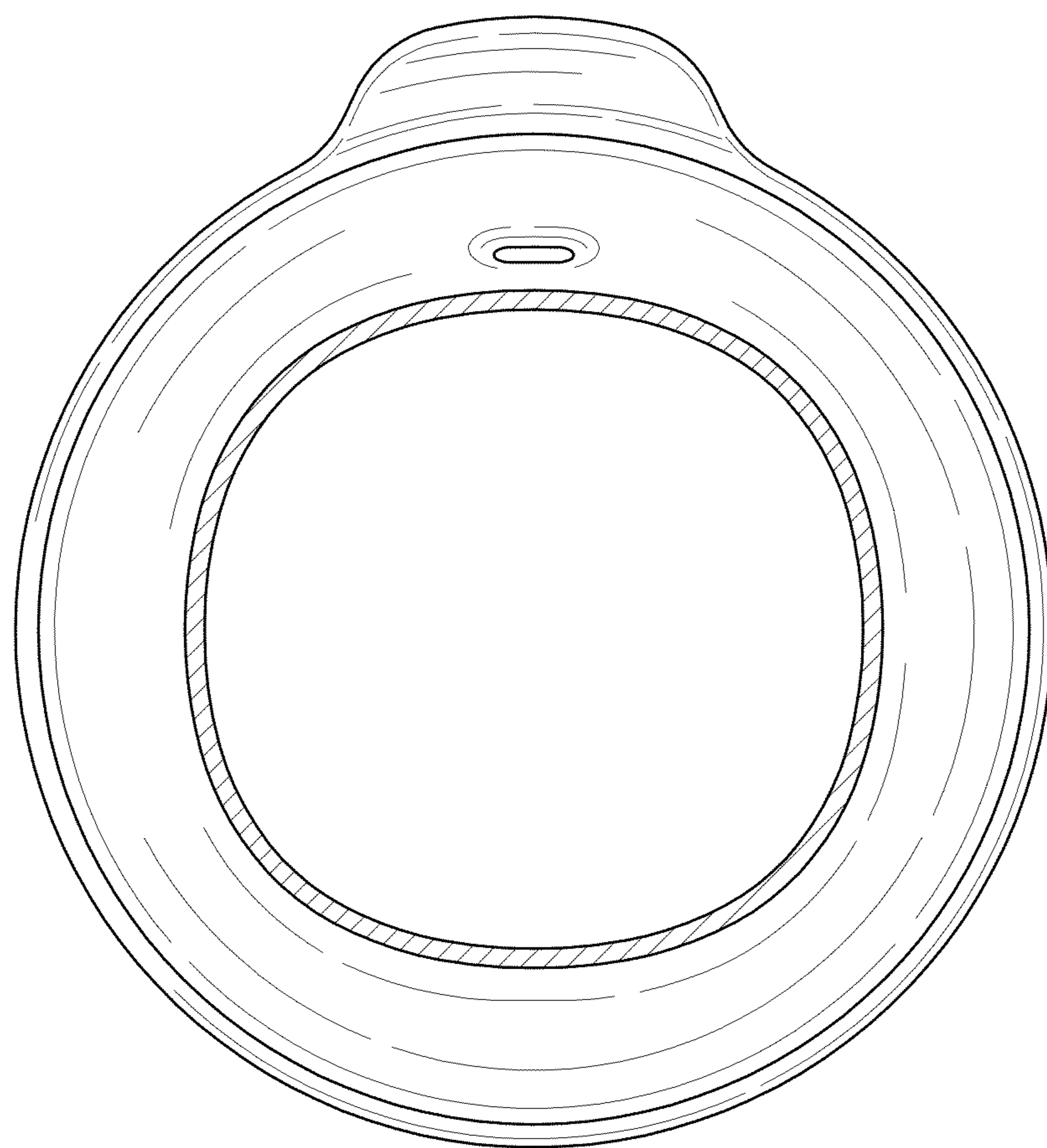


FIG. 7