



US00D707485S

(12) **United States Design Patent**  
**Thul et al.**

(10) **Patent No.:** **US D707,485 S**  
(45) **Date of Patent:** **\*\* Jun. 24, 2014**

(54) **DRIP BREWER**

(71) Applicants: **Travis Michael Thul**, Halethopre, MD  
(US); **Jiju George Johnson**, Milwaukee,  
WI (US)

(72) Inventors: **Travis Michael Thul**, Halethopre, MD  
(US); **Jiju George Johnson**, Milwaukee,  
WI (US)

(73) Assignee: **2T2J Technology LLC**, Milwaukee, WI  
(US)

(\*\*) Term: **14 Years**

(21) Appl. No.: **29/457,186**

(22) Filed: **Jun. 7, 2013**

(51) **LOC (10) Cl.** ..... **07-01**

(52) **U.S. Cl.**  
USPC ..... **D7/306; D7/300; D7/311**

(58) **Field of Classification Search**  
USPC ..... D7/306-311, 300; 222/129.1, 146.6,  
222/185.1; 99/319, 308, 307, 281, 288;  
D6/512, 680; D20/1

See application file for complete search history.

(56) **References Cited**

U.S. PATENT DOCUMENTS

D266,565	S	*	10/1982	Smith	.....	D7/308
D274,028	S	*	5/1984	Jeans	.....	D7/308
D319,943	S	*	9/1991	Sexton et al.	.....	D7/308
D340,832	S	*	11/1993	Macchi	.....	D7/306
D389,693	S	*	1/1998	Hawkins et al.	.....	D7/308
6,739,241	B2	*	5/2004	Long et al.	.....	99/288
D543,770	S	*	6/2007	Ye	.....	D7/309
D564,280	S	*	3/2008	Ting et al.	.....	D7/309
D646,108	S	*	10/2011	Zoppellari	.....	D7/309
D661,536	S	*	6/2012	Hughes et al.	.....	D7/301

\* cited by examiner

*Primary Examiner* — Marianne Pandozzi

(57) **CLAIM**

The ornamental design for a drip brewer, as shown and described.

**DESCRIPTION**

FIG. 1 is a perspective view of a drip brewer in closed position showing our new design;  
FIG. 2 is a perspective view thereof in open position;  
FIG. 3 is an exploded perspective view thereof with the crucible removed for ease of illustration;  
FIG. 4 is a front elevational view of FIG. 1;  
FIG. 5 is a front elevational view of FIG. 2;  
FIG. 6 is a right side elevational view of FIG. 1; and,  
FIG. 7 is a right side elevational view of FIG. 2.

**1 Claim, 7 Drawing Sheets**

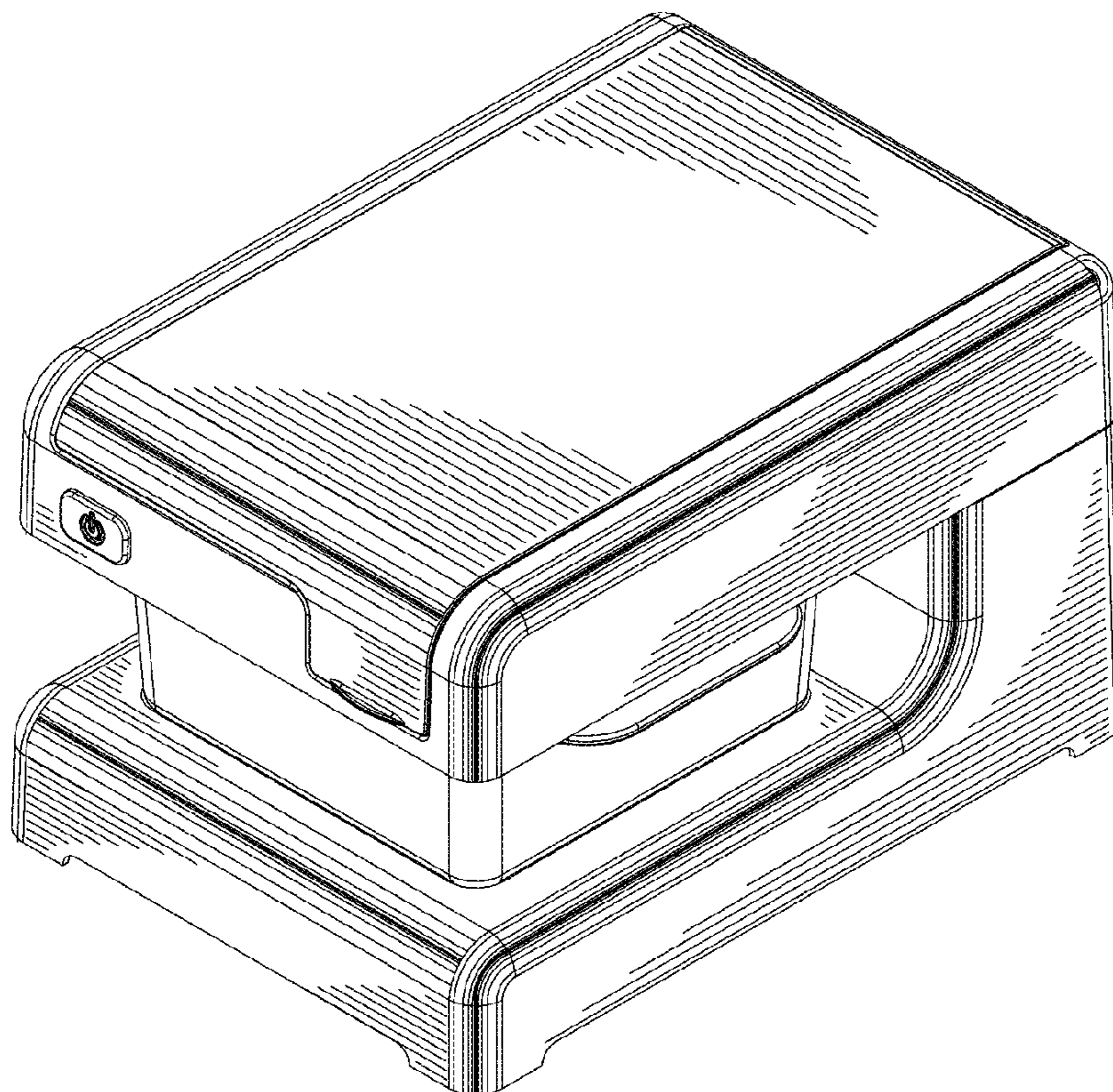


Fig. 1

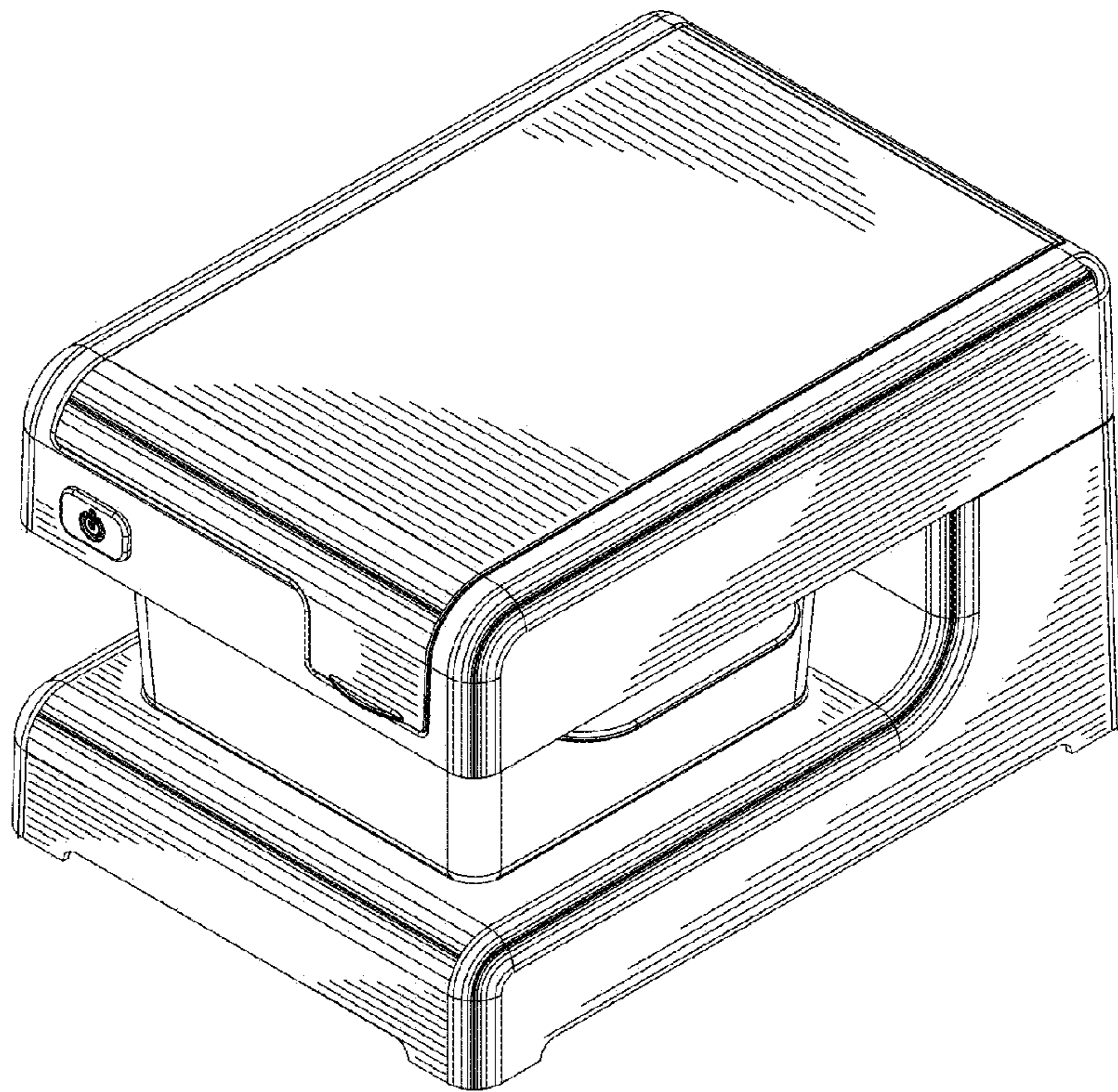


Fig. 2

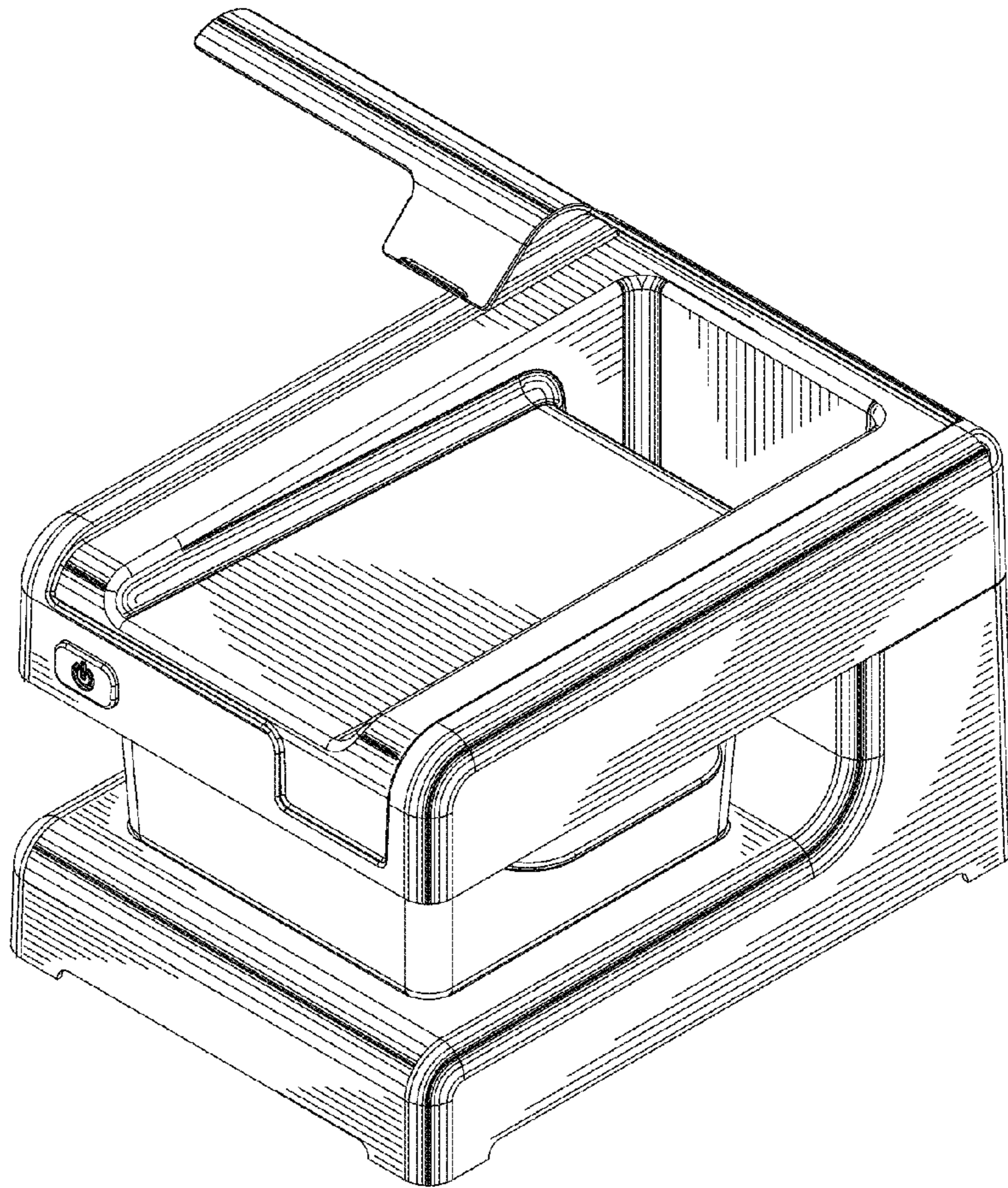


Fig. 3

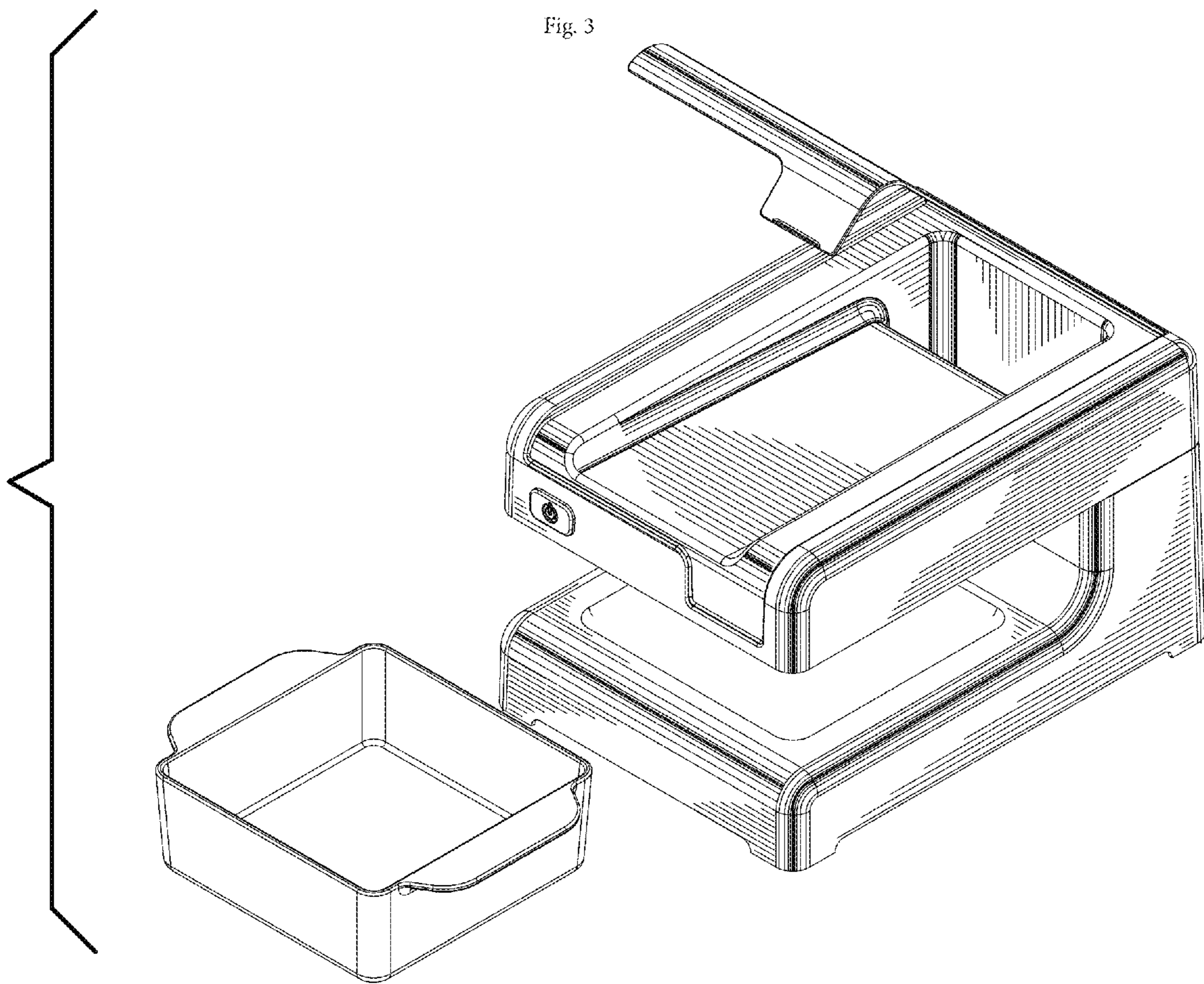


Fig. 4

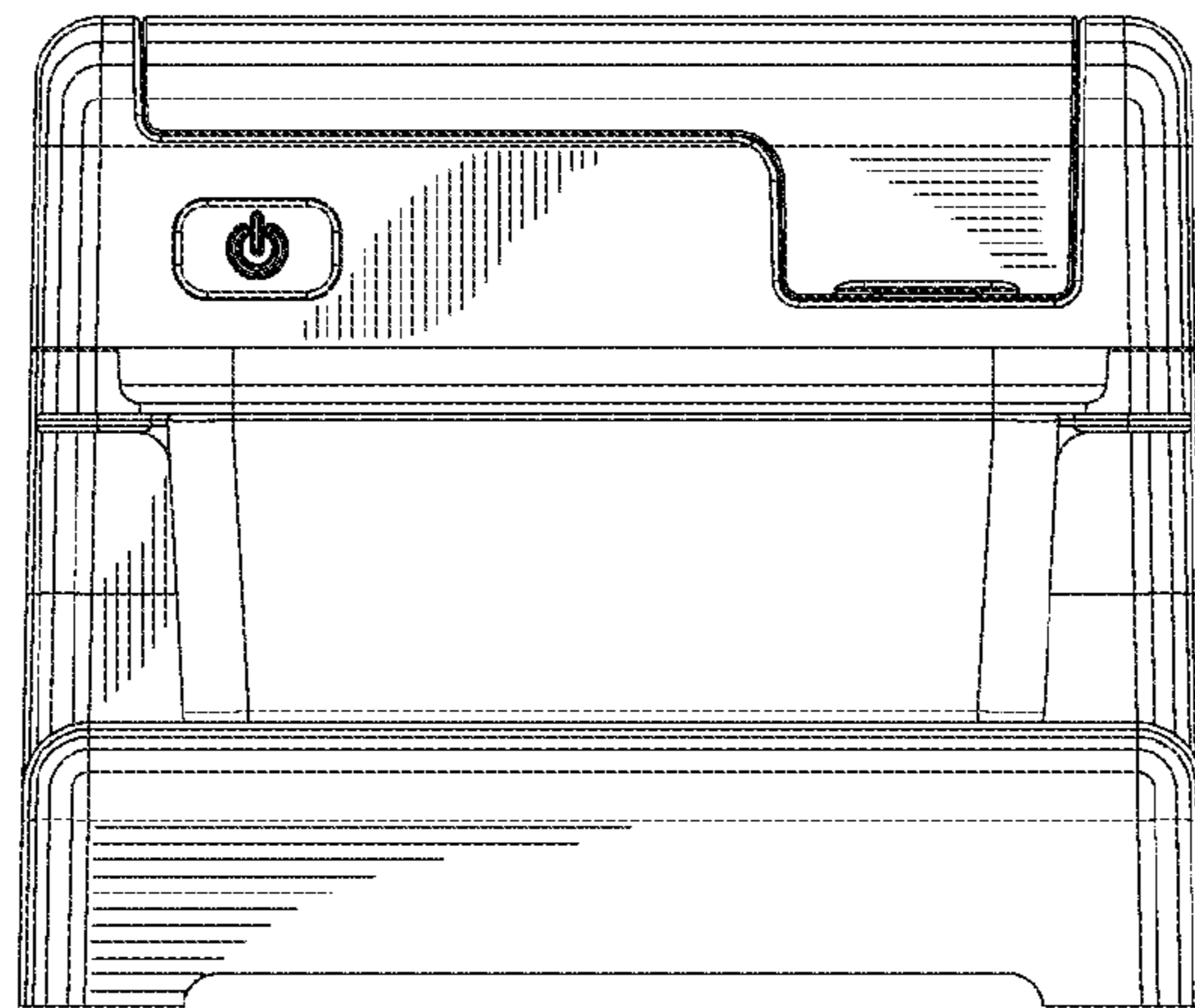


Fig. 5

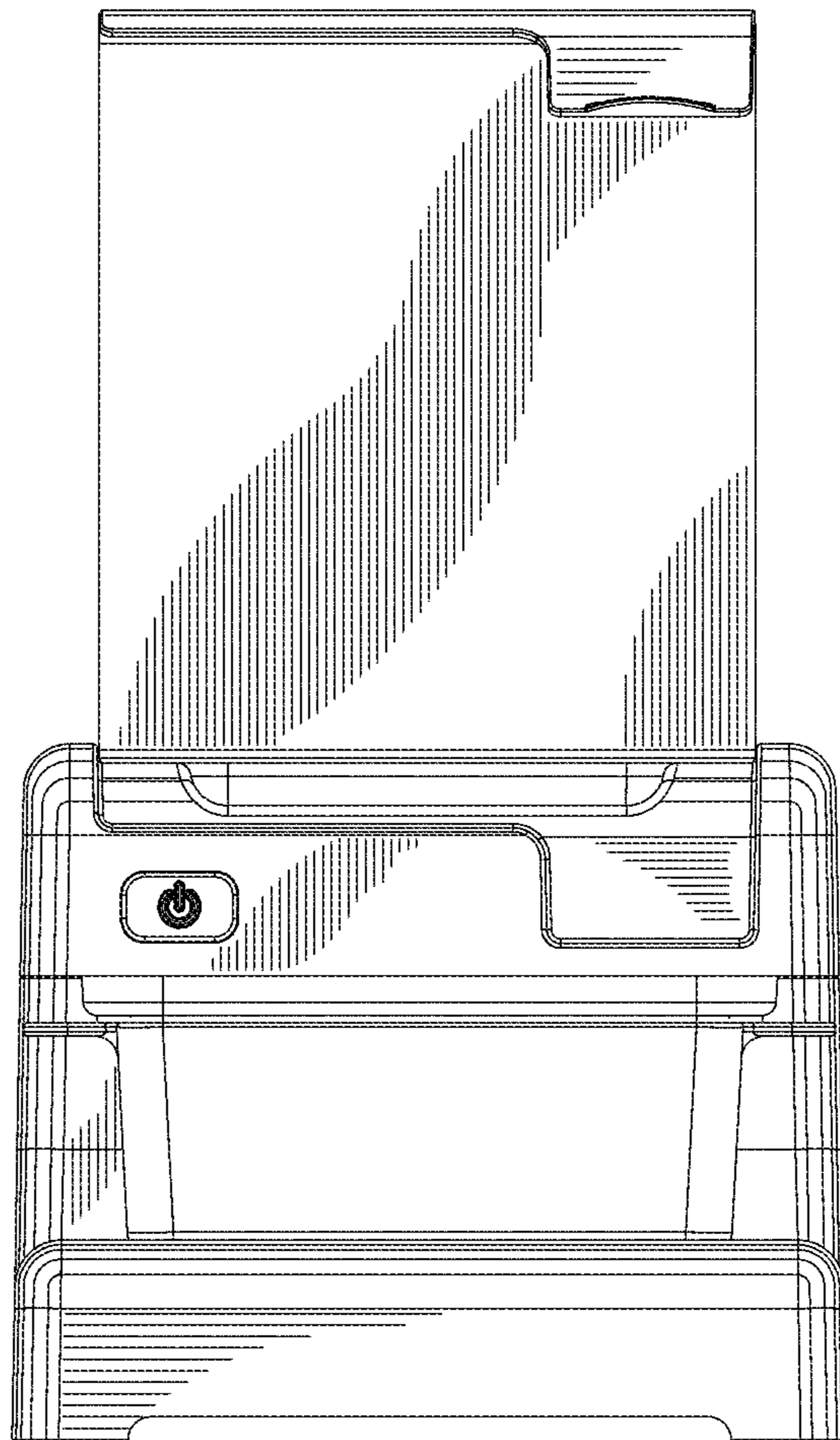


Fig. 6

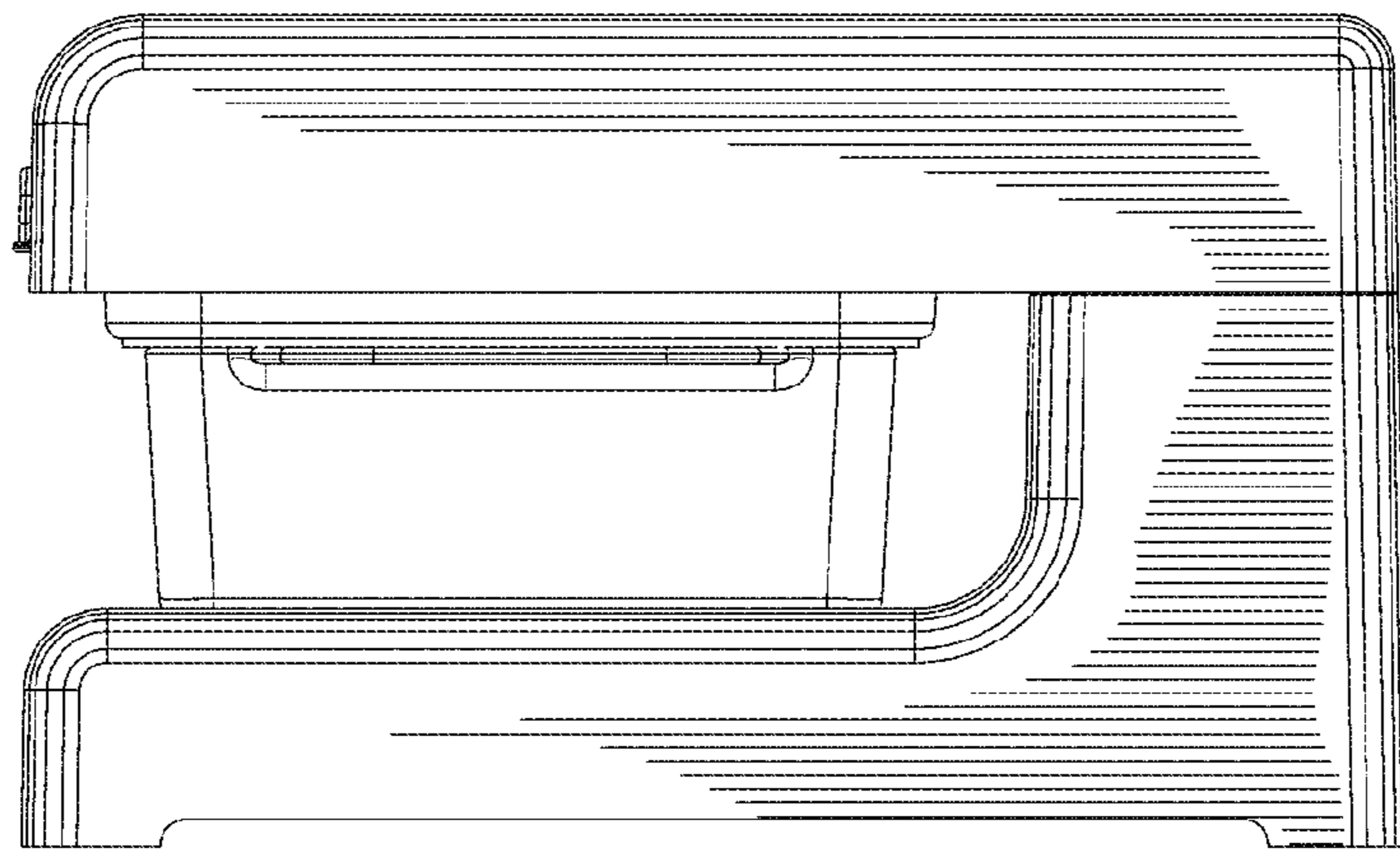


Fig. 7

