



US00D707483S

(12) **United States Design Patent**  
**Heimbrock**

(10) **Patent No.:** **US D707,483 S**

(45) **Date of Patent:** **\*\* Jun. 24, 2014**

(54) **SIDE RAIL**

(71) Applicant: **Richard H. Heimbrock**, Cincinnati, OH (US)

(72) Inventor: **Richard H. Heimbrock**, Cincinnati, OH (US)

(73) Assignee: **Hill-Rom Services, Inc.**, Batesville, IN (US)

(\*\*) Term: **14 Years**

(21) Appl. No.: **29/436,401**

(22) Filed: **Nov. 5, 2012**

(51) **LOC (10) Cl.** ..... **06-06**

(52) **U.S. Cl.**  
USPC ..... **D6/718.3**

(58) **Field of Classification Search**  
USPC ..... D6/382, 392, 718, 718.3; 5/600, 658,  
5/424-426, 428, 429, 662  
See application file for complete search history.

(56) **References Cited**

**U.S. PATENT DOCUMENTS**

6,240,580	B1	6/2001	Hamilton et al.
6,363,552	B1	4/2002	Hornbach et al.
D458,481	S	6/2002	Brooke
D459,119	S	6/2002	Brooke

(Continued)

**OTHER PUBLICATIONS**

The Advance 2000® Bed from Hill-Rom, Hill-Rom 1993.

(Continued)

*Primary Examiner* — Janice Seeger

(74) *Attorney, Agent, or Firm* — Barnes & Thornburg LLP

(57) **CLAIM**

The ornamental design for a side rail, as shown and described.

**DESCRIPTION**

Cross reference is made to U.S. patent application Ser. No. 29/436,400 entitled “Bed Frame” by Richard H. Heimbrock, which was filed on Nov. 5, 2012 and is hereby incorporated herein by reference.

FIG. 1 is a front perspective view of one embodiment of a side rail showing our new design;

FIG. 2 is a rear perspective view of the side rail of FIG. 1;

FIG. 3 is a first side elevation view of the side rail of FIG. 1;

FIG. 4 is a second side elevation view of the side rail of FIG. 1;

FIG. 5 is a top plan view of the side rail of FIG. 1;

FIG. 6 is a bottom plan view of the side rail of FIG. 1;

FIG. 7 is a rear elevation view of the side rail of FIG. 1;

FIG. 8 is a front elevation view of the side rail of FIG. 1;

FIG. 9 is a front perspective view of another embodiment of the side rail showing our new design;

FIG. 10 is a rear perspective view of the side rail of FIG. 9;

FIG. 11 is a first side elevation view of the side rail of FIG. 9;

FIG. 12 is a second side elevation view of the side rail of FIG. 9;

FIG. 13 is a top plan view of the side rail of FIG. 9;

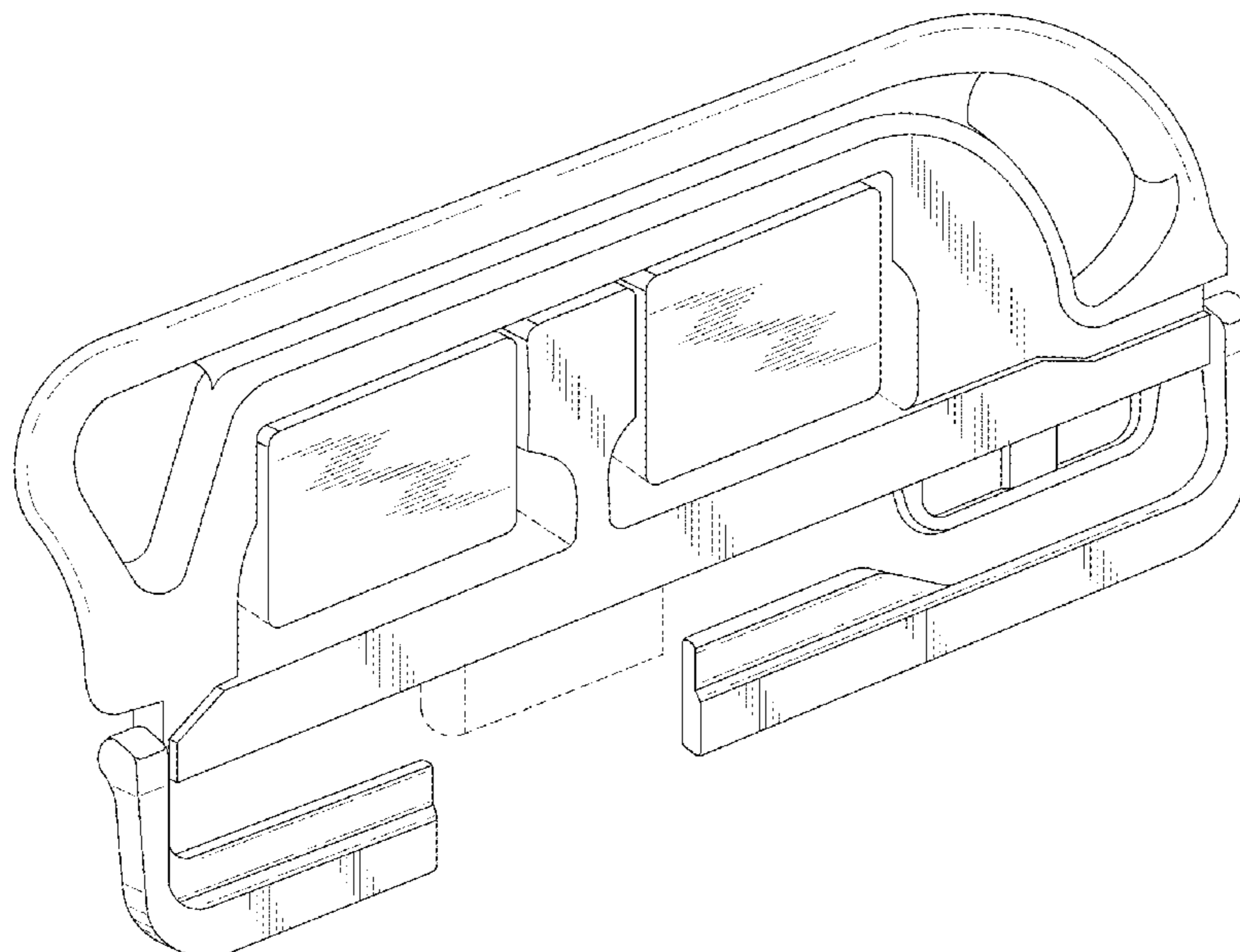
FIG. 14 is a bottom plan view of the side rail of FIG. 9;

FIG. 15 is a rear elevation view of the side rail of FIG. 9; and,

FIG. 16 is a front elevation view of the side rail of FIG. 9.

The broken lines shown in the figures depict environmental subject matter and form no part of the claimed design. The solid black surface shading indicates a contrasting appearance.

**1 Claim, 12 Drawing Sheets**



(56)

References Cited

U.S. PATENT DOCUMENTS

D463,179 S 9/2002 Brooke  
 D479,070 S 9/2003 Goodwin et al.  
 6,622,364 B2 9/2003 Hamilton et al.  
 6,640,360 B2 11/2003 Hornbach et al.  
 D488,941 S 4/2004 Lemire et al.  
 D488,942 S 4/2004 Lemire et al.  
 6,721,975 B1 4/2004 Lemire  
 6,779,209 B2 8/2004 Ganance  
 6,951,036 B2 10/2005 Lemire  
 7,073,220 B2 7/2006 Simmonds et al.  
 7,076,818 B2 7/2006 Kummer et al.  
 7,107,637 B2 9/2006 Kuek et al.  
 D553,382 S 10/2007 Hayes et al.  
 7,644,457 B2 1/2010 Hensley et al.  
 7,712,166 B2 5/2010 Stryker et al.  
 D616,678 S 6/2010 Heimbrock et al.  
 D616,679 S 6/2010 Heimbrock et al.  
 D617,586 S 6/2010 Heimbrock et al.  
 D617,587 S 6/2010 Heimbrock et al.  
 D617,588 S 6/2010 Heimbrock et al.  
 D617,589 S 6/2010 Heimbrock et al.  
 7,761,939 B2 7/2010 Wiggins et al.  
 7,784,125 B2 8/2010 Morin et al.  
 D628,416 S 12/2010 Heimbrock et al.  
 7,895,689 B2 3/2011 Hayes et al.

7,930,778 B2 4/2011 Wu et al.  
 D640,887 S 7/2011 Heimbrock et al.  
 7,971,291 B2 7/2011 Stryker et al.  
 8,143,846 B2 3/2012 Herman et al.  
 8,205,280 B2 6/2012 Hensley et al.  
 8,266,741 B2 9/2012 Penninger et al.  
 8,296,884 B2 10/2012 Heimbrock  
 8,387,179 B2 3/2013 Metz et al.  
 8,413,270 B2 4/2013 Turner et al.  
 2012/0023670 A1\* 2/2012 Zerhusen et al. .... 5/600  
 2012/0110735 A1\* 5/2012 Andrienko et al. .... 5/430  
 2012/0144583 A1\* 6/2012 Turner ..... 5/429  
 2012/0151678 A1\* 6/2012 Richards ..... 5/613  
 2013/0019406 A1\* 1/2013 Riley et al. .... 5/600

OTHER PUBLICATIONS

A Hill-Rom Solution Affinity II Bed, Hill-Rom 1996.  
 Affinity® Three Birthing Bed, Hill-Rom Services, Inc. 2000.  
 TotalCare® Connect Bed and TotalCare® Bed, Options and Accessories, Hill-Rom Services, Inc. 2008.  
 Hill-Rom® Med-Surg Beds Traction Catalog Part Descriptions and Ordering Information, Hill-Rom Services, Inc. 2007.  
 User Manual, TotalCare® Bed System, Hill-Rom, Product No. P1900-00, Hill-Rom Services, Inc. 2000.  
 A Hill-Rom Solution, TotalCare Bed System, Hill-Rom 1998.

\* cited by examiner

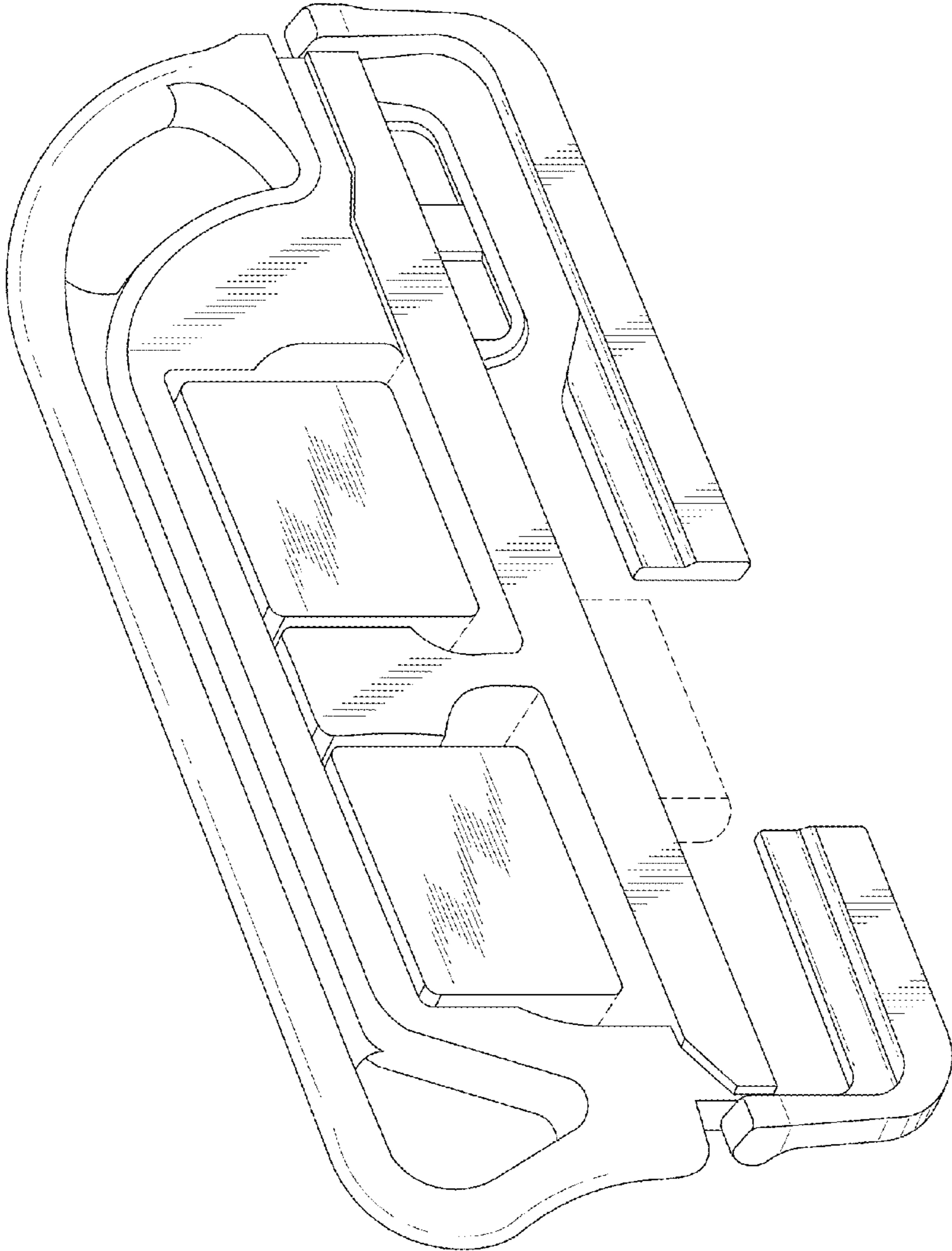


Fig. 1

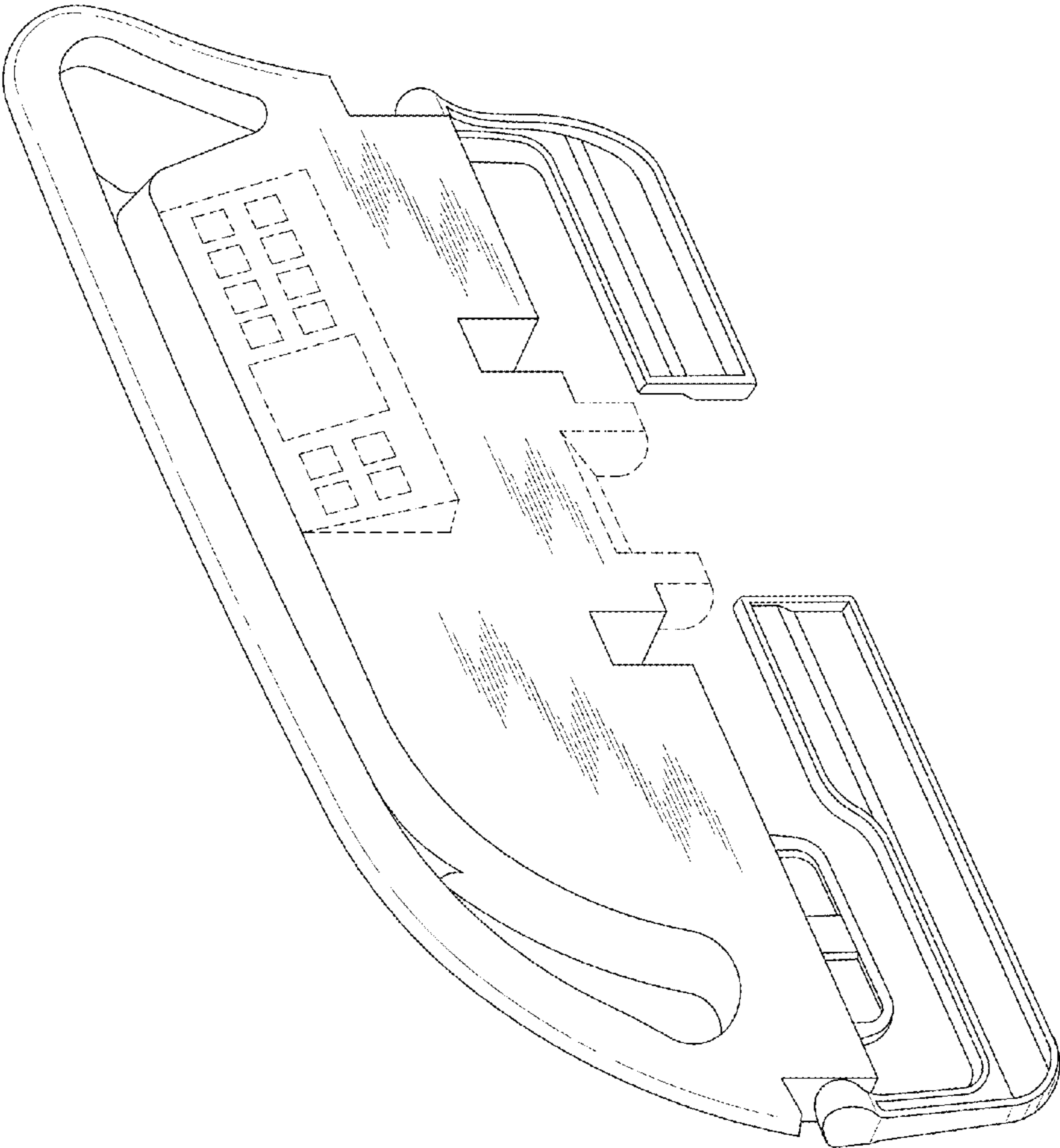


Fig. 2

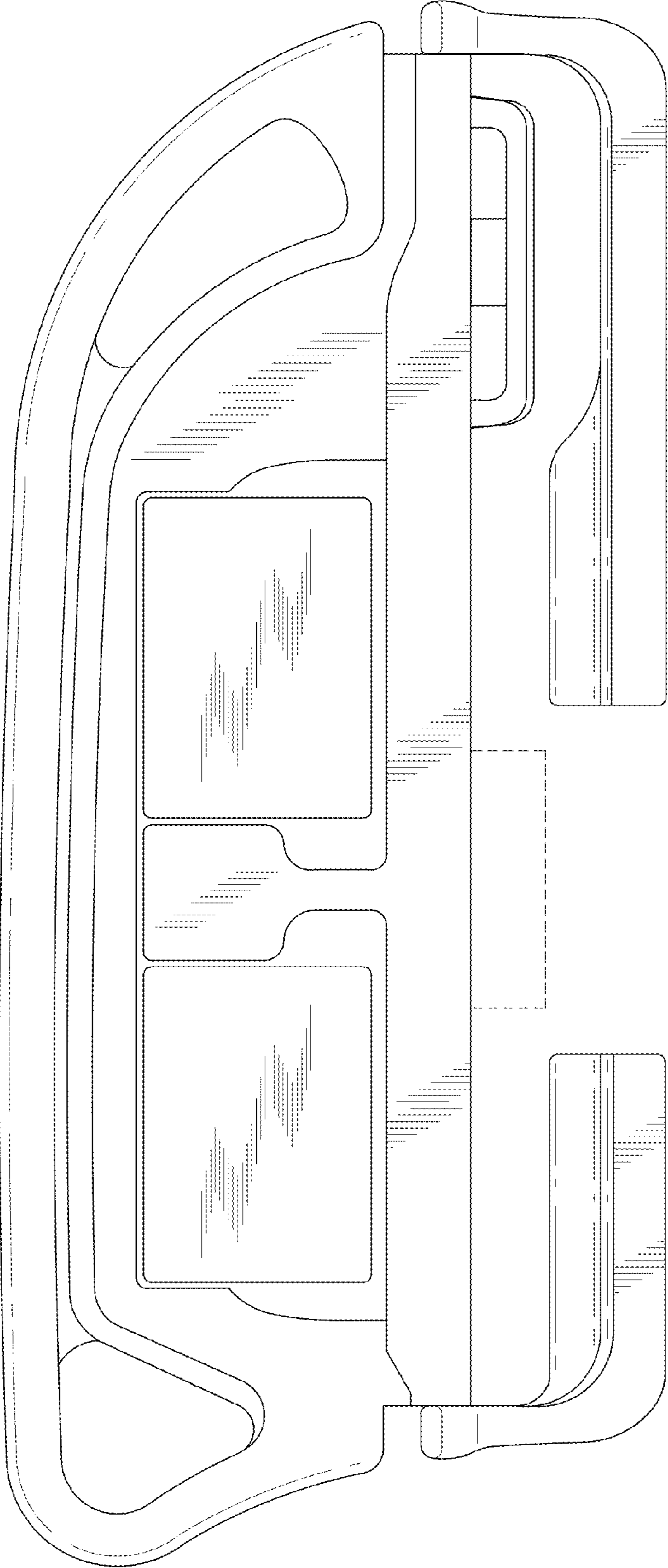


Fig. 3

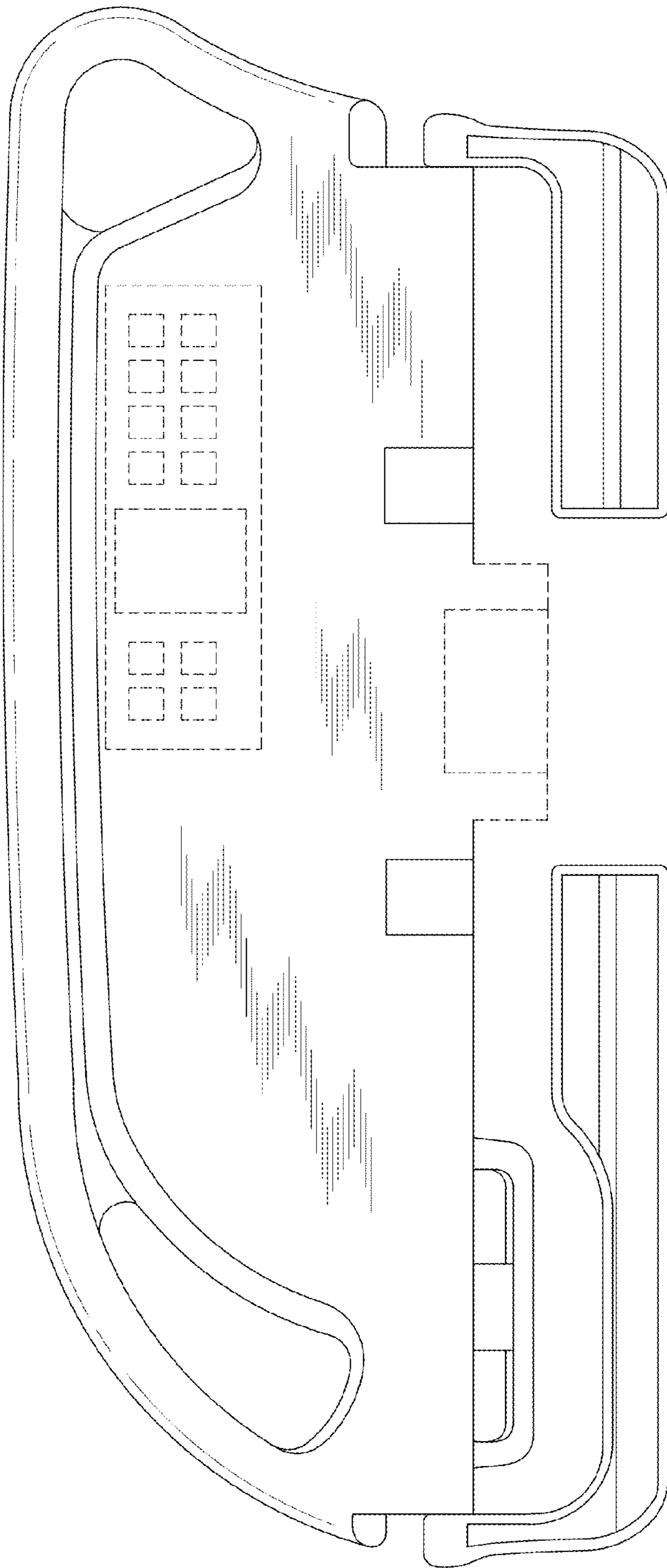


Fig. 4

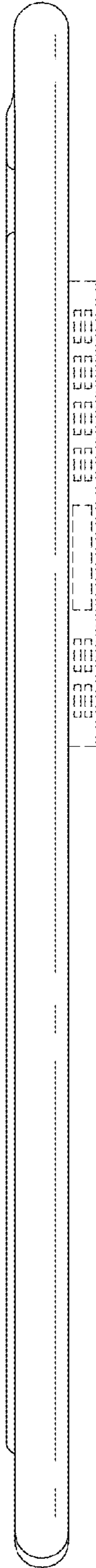


Fig. 5

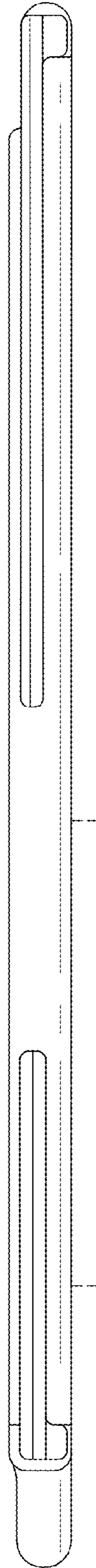


Fig. 6

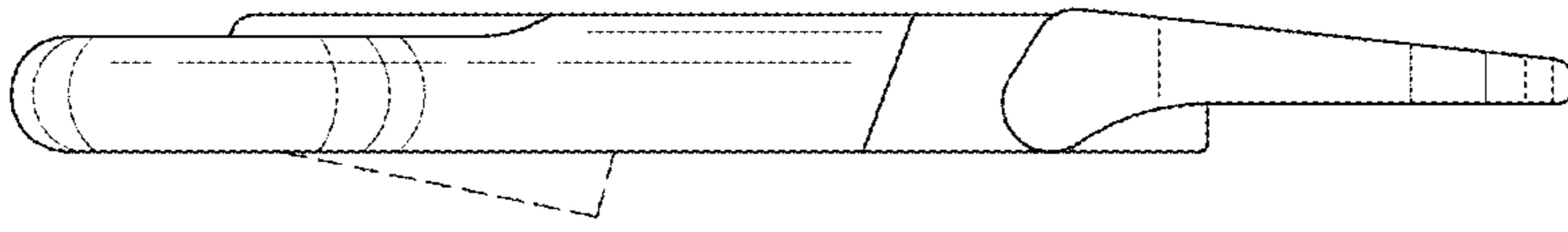


Fig. 8

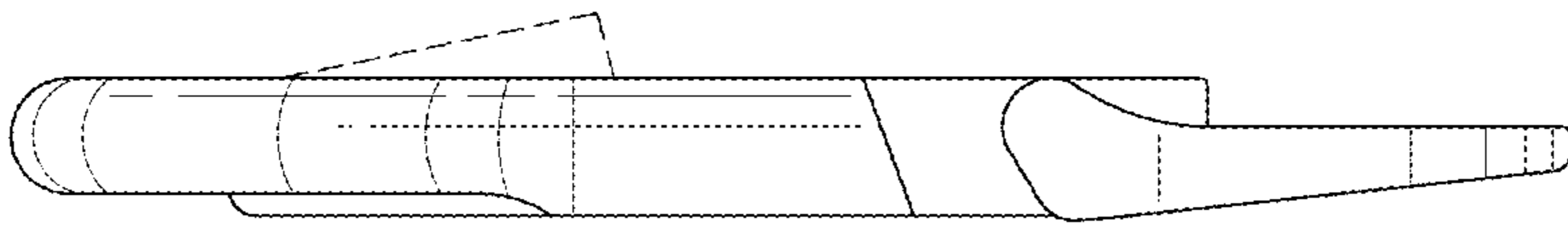


Fig. 7



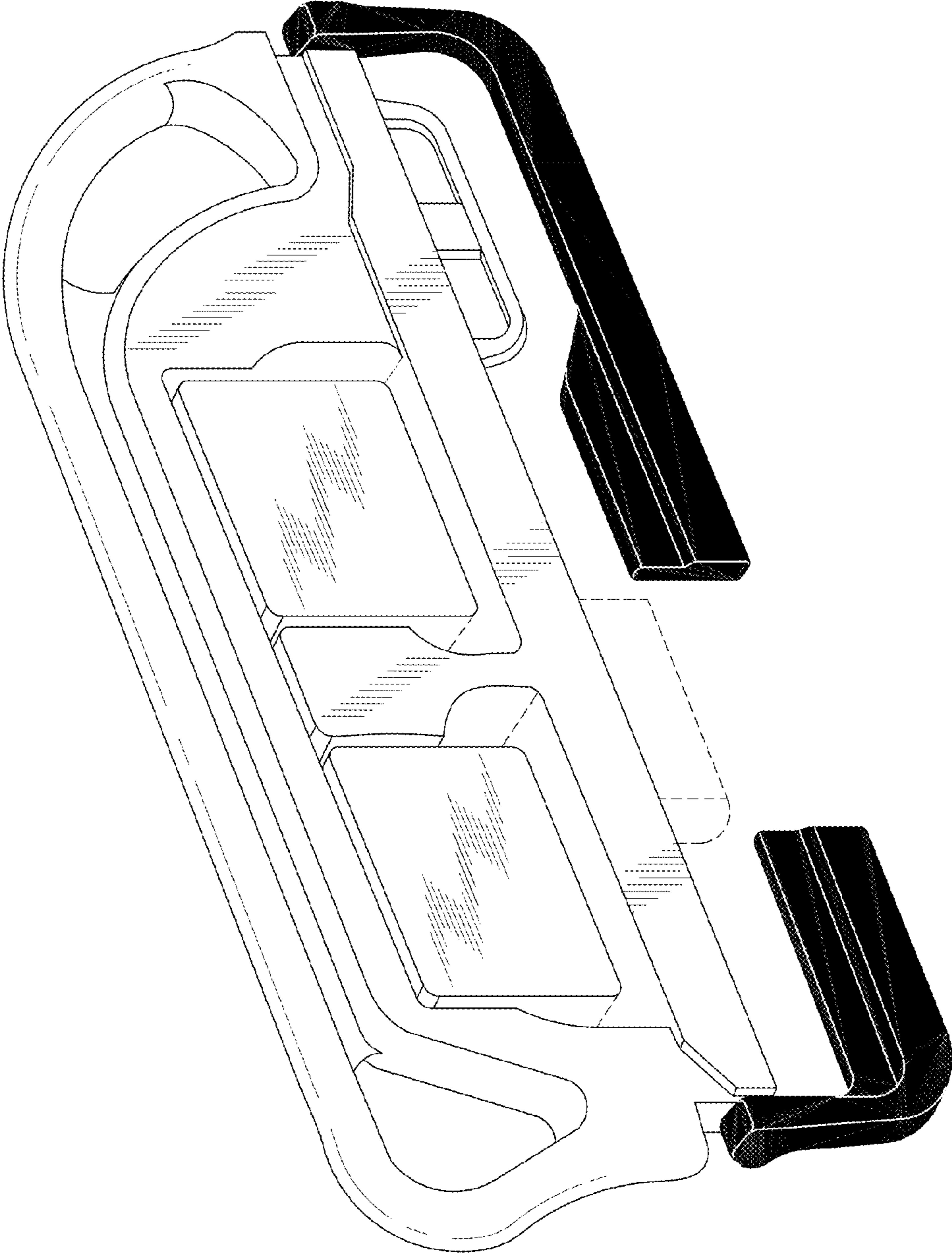


Fig. 9

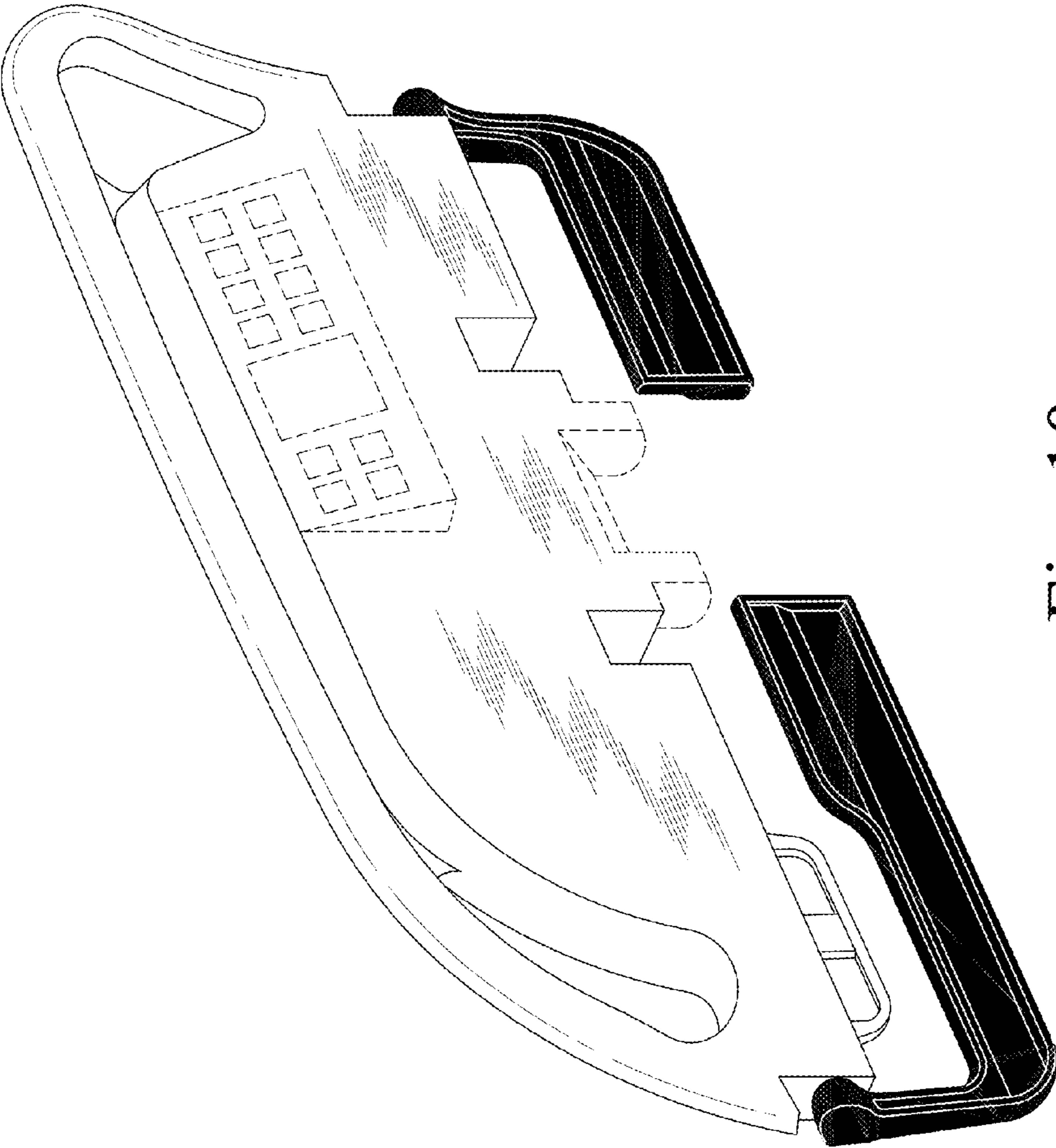


Fig. 10

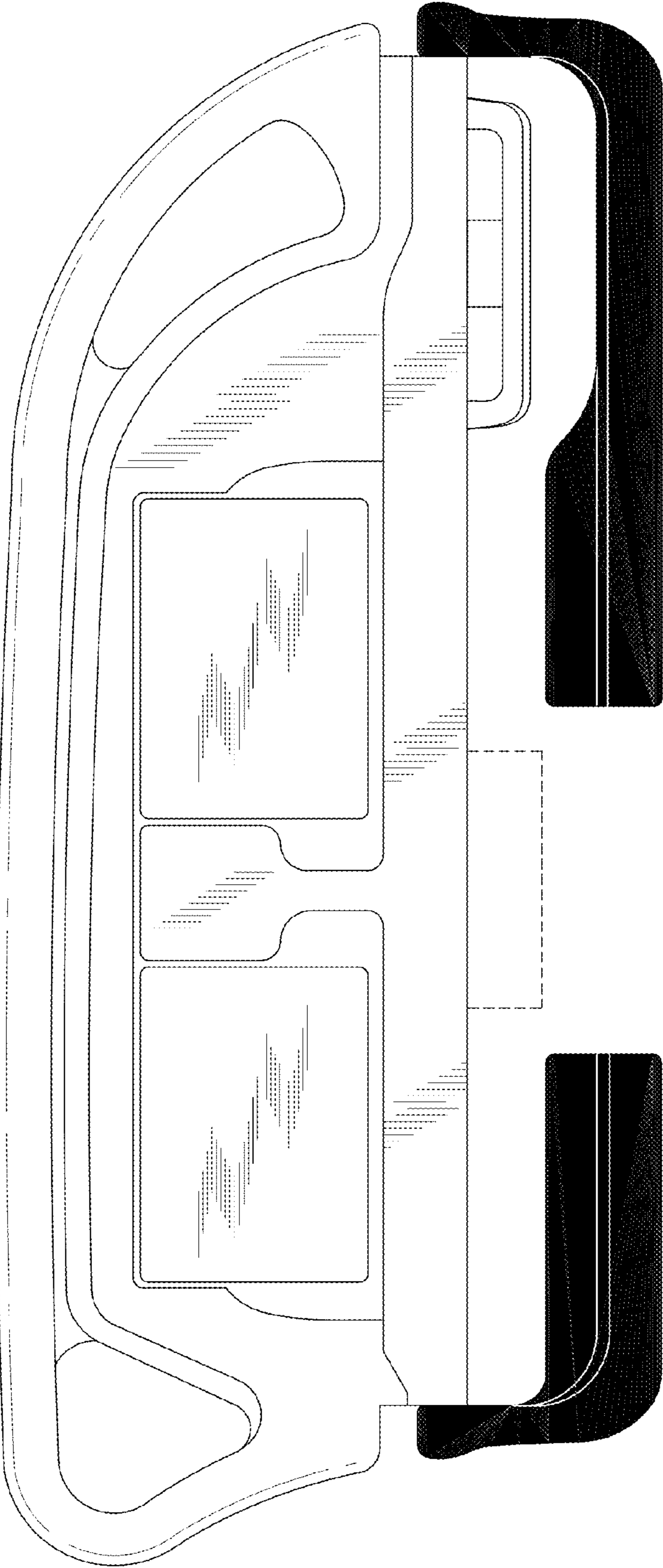


Fig. 11

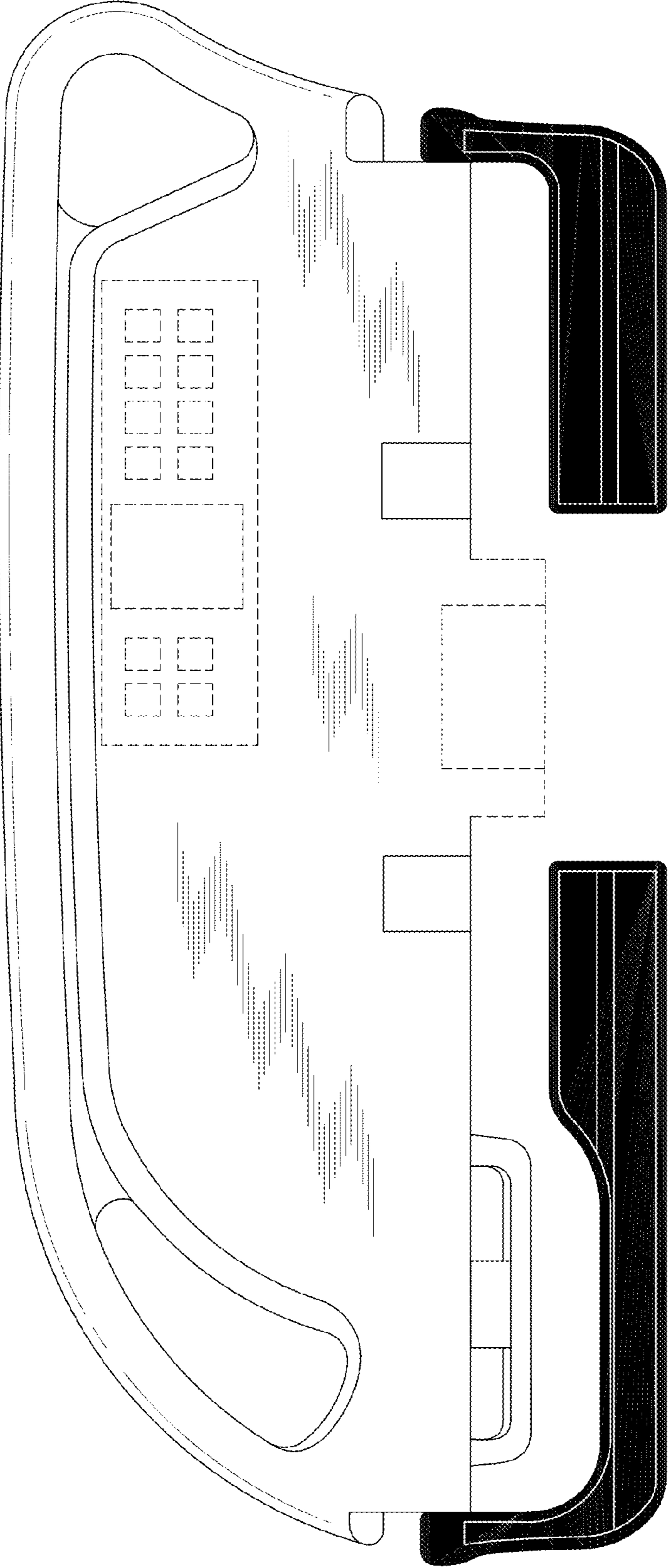


Fig. 12

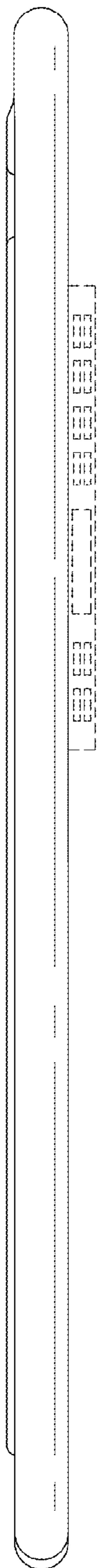


Fig. 13

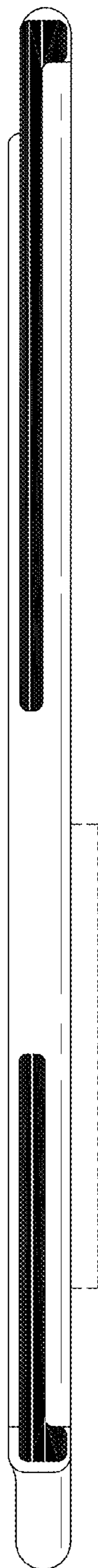


Fig. 14

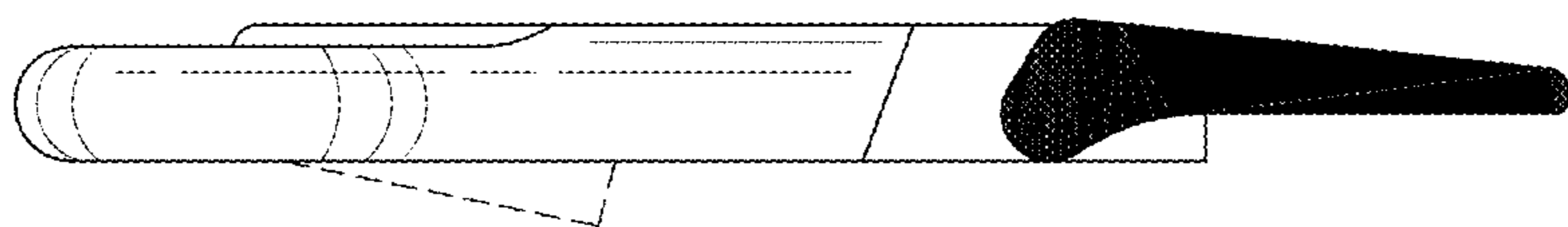


Fig. 16

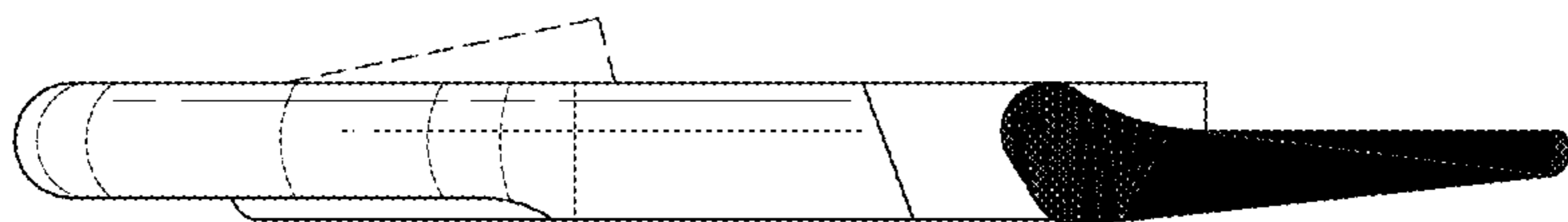


Fig. 15