



US00D707482S

(12) **United States Design Patent**
Gioe

(10) **Patent No.:** **US D707,482 S**

(45) **Date of Patent:** **** *Jun. 24, 2014**

- (54) **BED**
- (71) Applicant: **Anthony Gioe**, Pelham, NY (US)
- (72) Inventor: **Anthony Gioe**, Pelham, NY (US)
- (*) Notice: This patent is subject to a terminal disclaimer.
- (**) Term: **14 Years**
- (21) Appl. No.: **29/442,168**
- (22) Filed: **Dec. 24, 2012**
- (51) **LOC (10) Cl.** **06-06**
- (52) **U.S. Cl.**
USPC **D6/718.13**
- (58) **Field of Classification Search**
USPC D6/382, 389, 392-395, 718, 718.13,
D6/718.21, 718.22, 718.28; 5/53.1, 907,
5/279.1, 280, 281
See application file for complete search history.

D666,437 S *	9/2012	Gioe	D6/505
D666,851 S *	9/2012	Gioe	D6/508
D666,852 S *	9/2012	Gioe	D6/508

* cited by examiner

Primary Examiner — Janice Seeger

(74) *Attorney, Agent, or Firm* — Greenberg Traurig LLC

(57) **CLAIM**

The ornamental design for a bed, as shown and described.

DESCRIPTION

FIG. 1 is a perspective view of a bed according to the invention;
 FIG. 2 is a front view of a bed showing my new design;
 FIG. 3 is a rear view thereof;
 FIG. 4 is a side view thereof;
 FIG. 5 is side opposite that shown in FIG. 4;
 FIG. 6 is a top plan view thereof; and,
 FIG. 7 is a bottom plan view thereof.

The portions of the figures illustrated in broken lines are provided for illustrative purposes only and form no part of the claimed design. Portions of the frieze forming part of the claimed design may include elements of one or more current or prior trademarks of New York Yankees Partnership, Executive Offices, Yankee Stadium, One East 161st Street, Bronx, N.Y. 10451.

1 Claim, 7 Drawing Sheets

(56) **References Cited**
U.S. PATENT DOCUMENTS

D165,921 S *	2/1952	Ippolito	D21/520
D403,542 S *	1/1999	Feldstein	D6/503
6,618,878 B1 *	9/2003	McCoy et al.	5/95
D617,574 S *	6/2010	Lake	D6/390

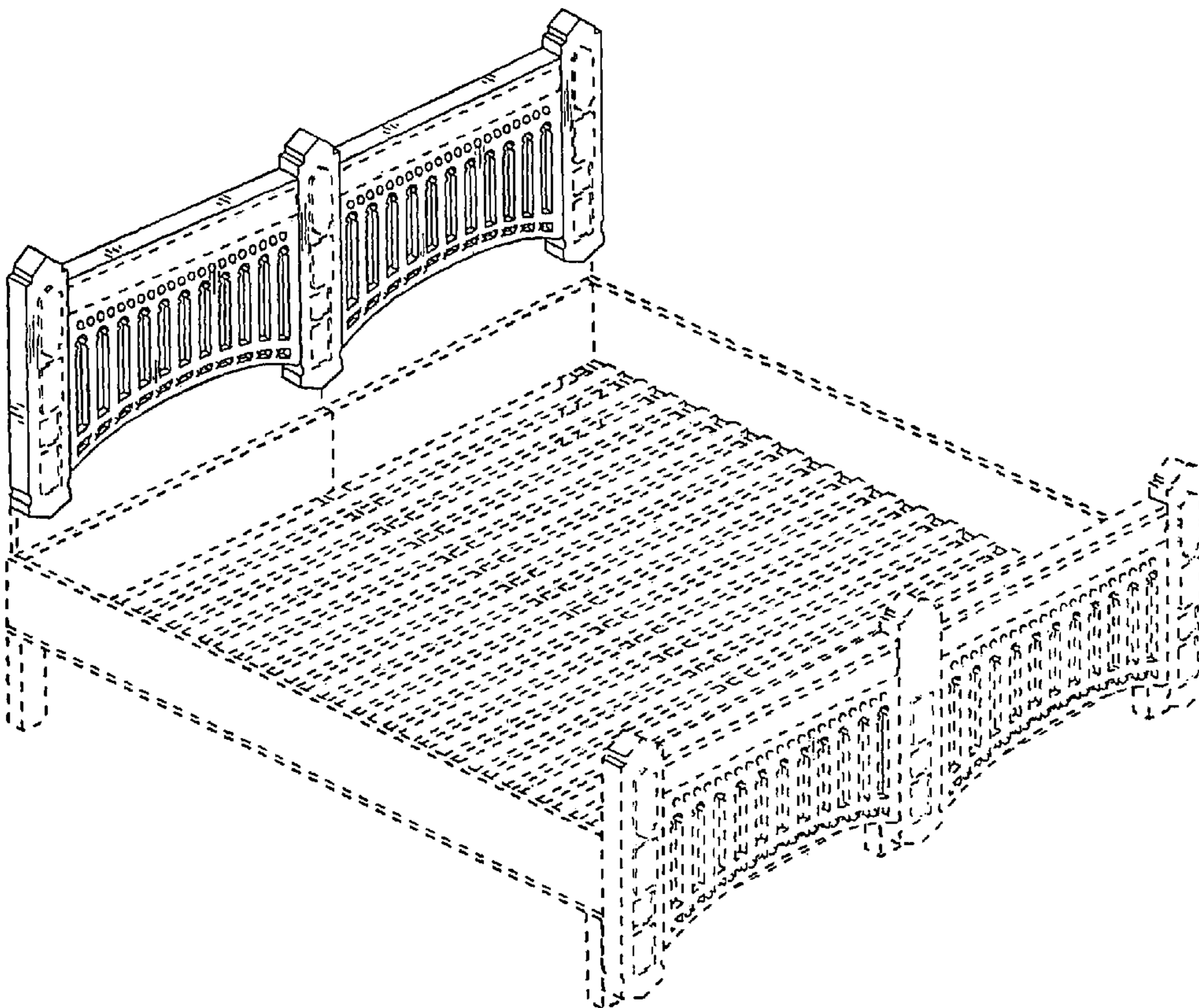


FIG. 1

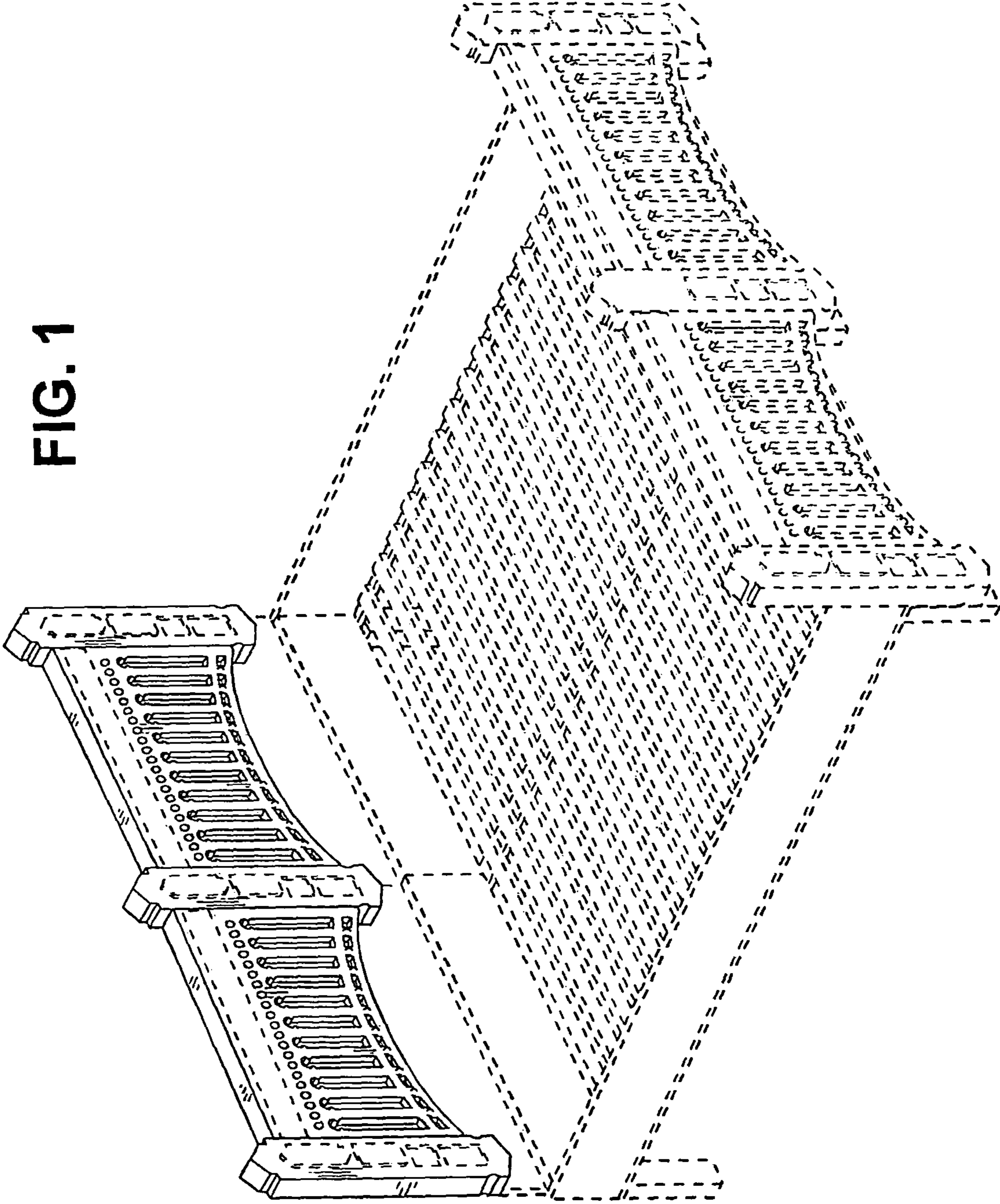


FIG. 2

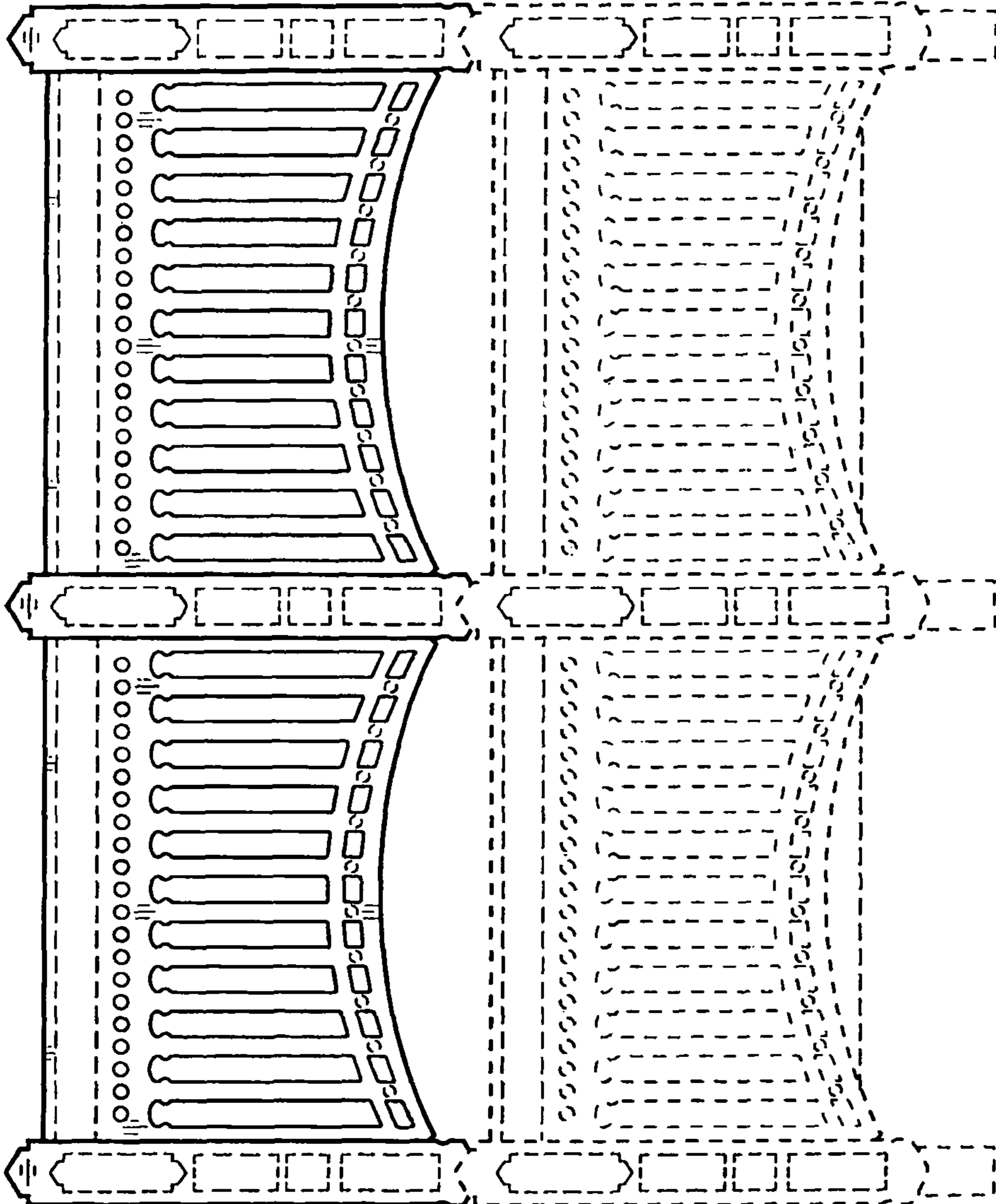


FIG. 3

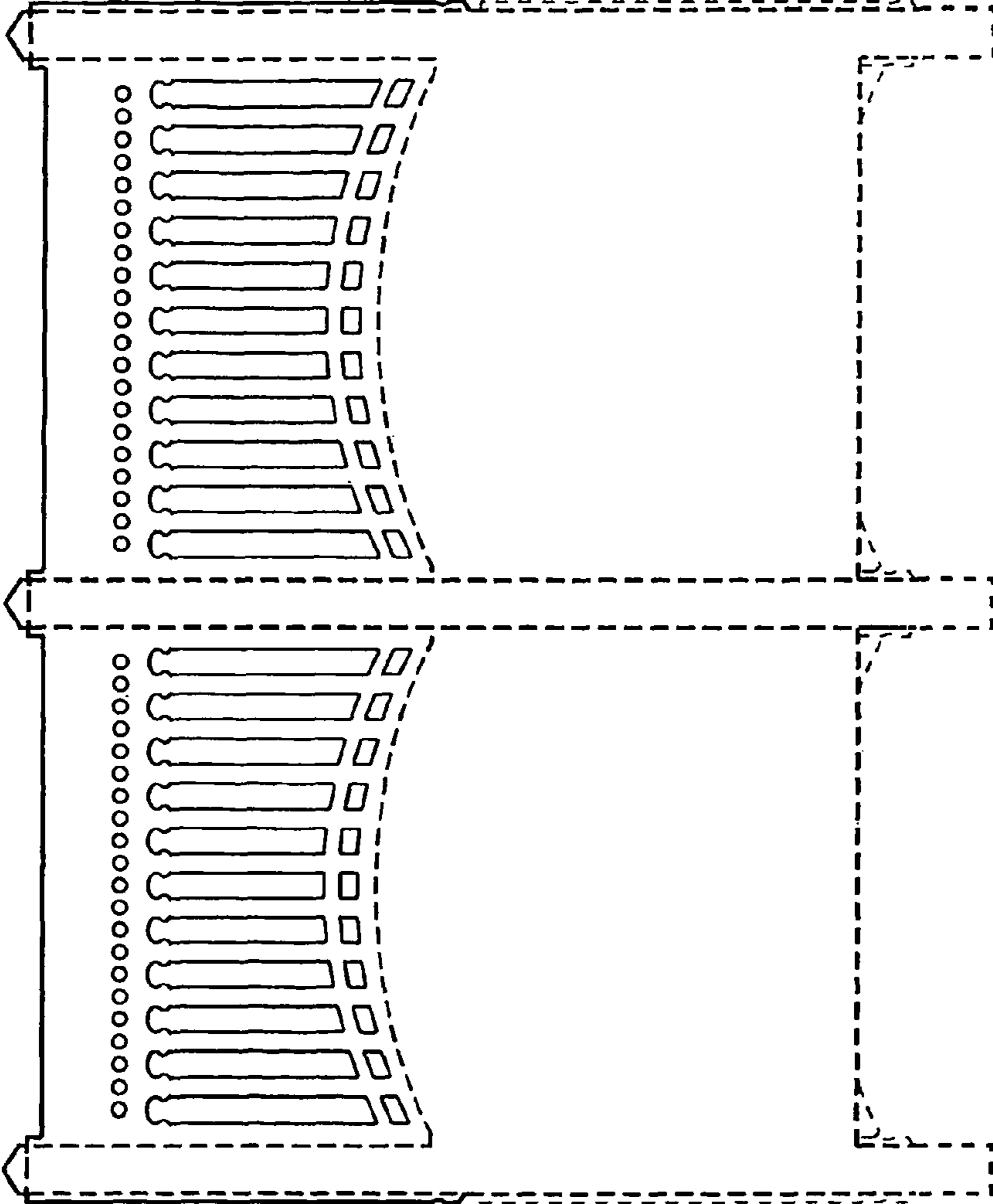


FIG. 4

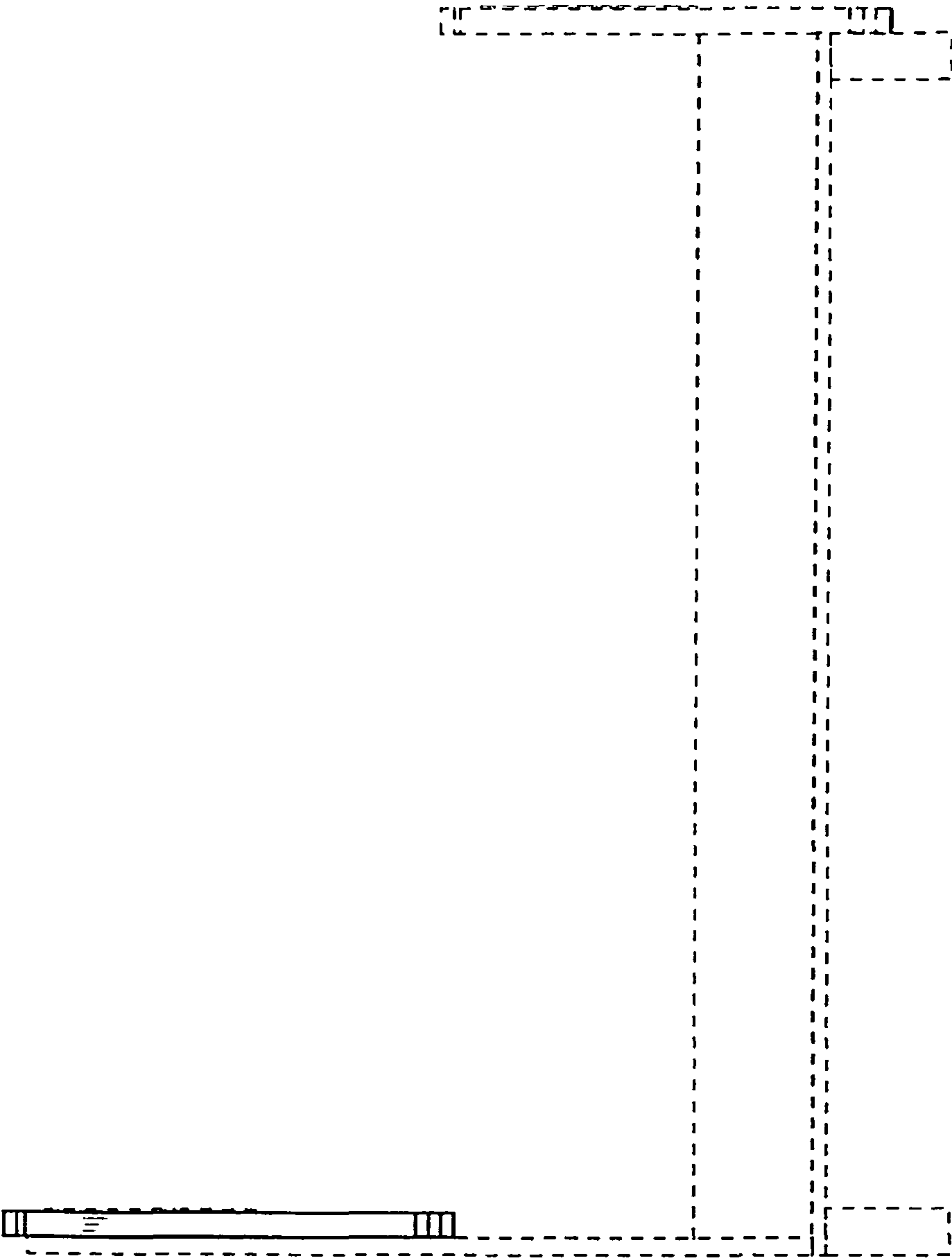
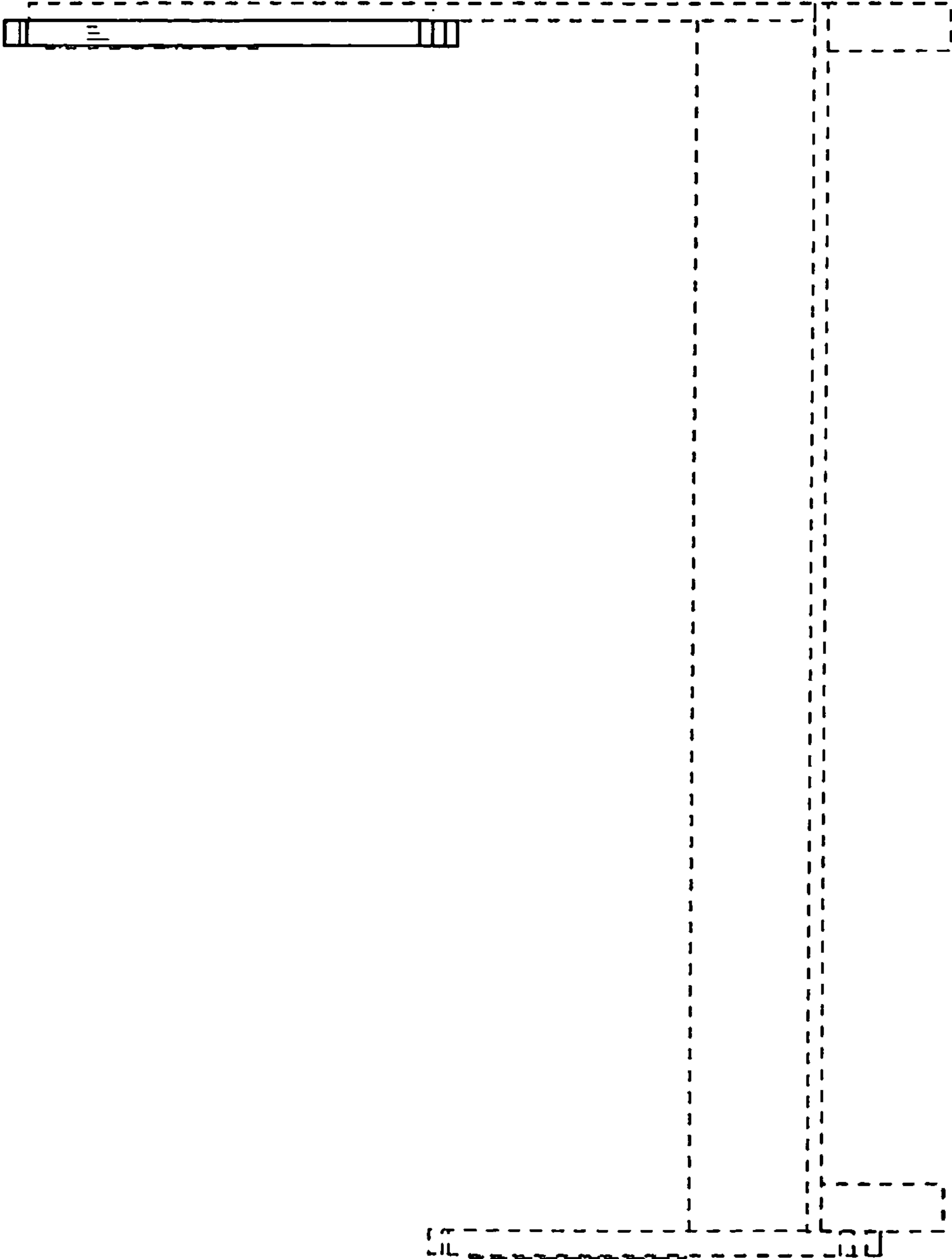


FIG. 5



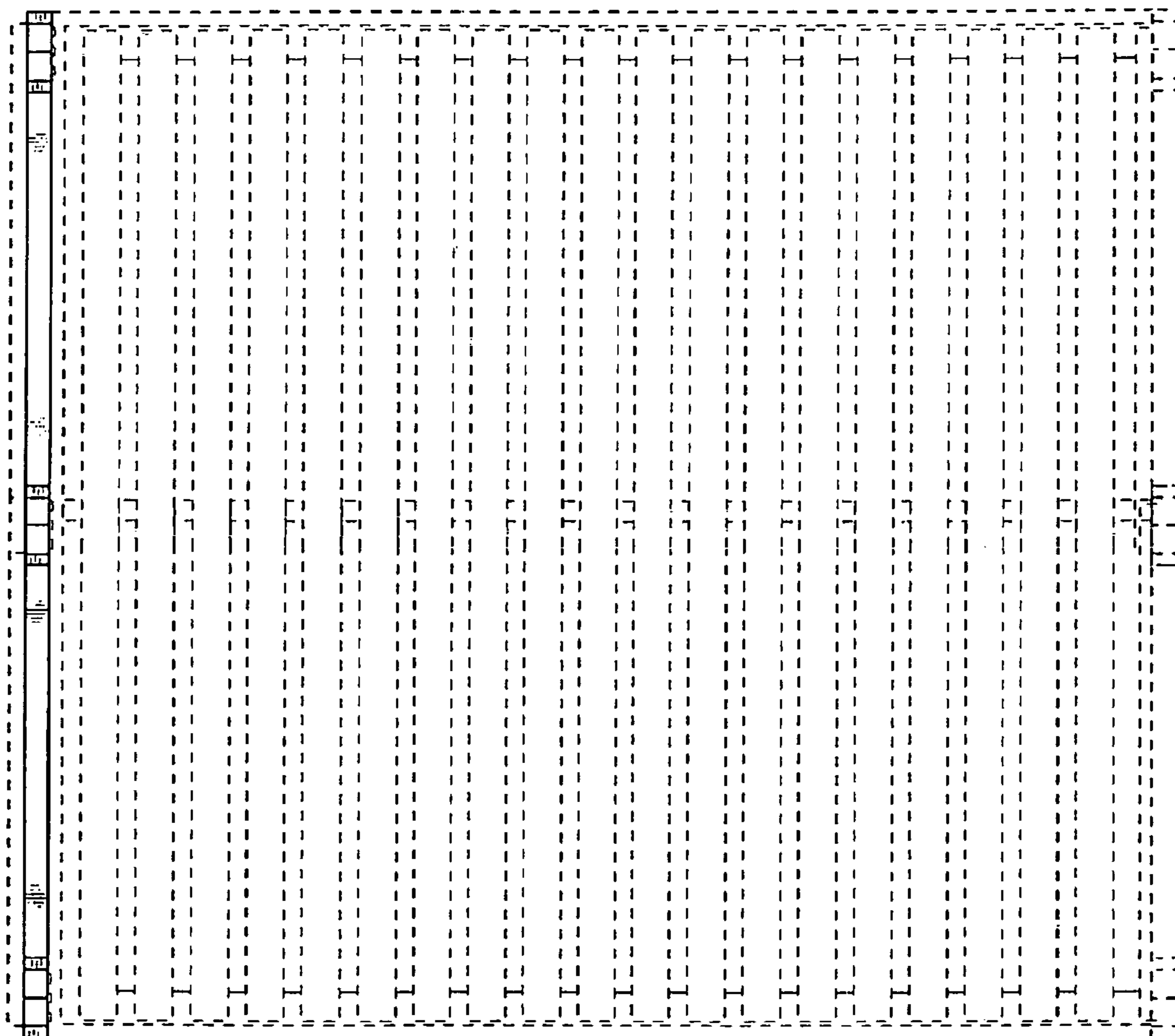


FIG. 6

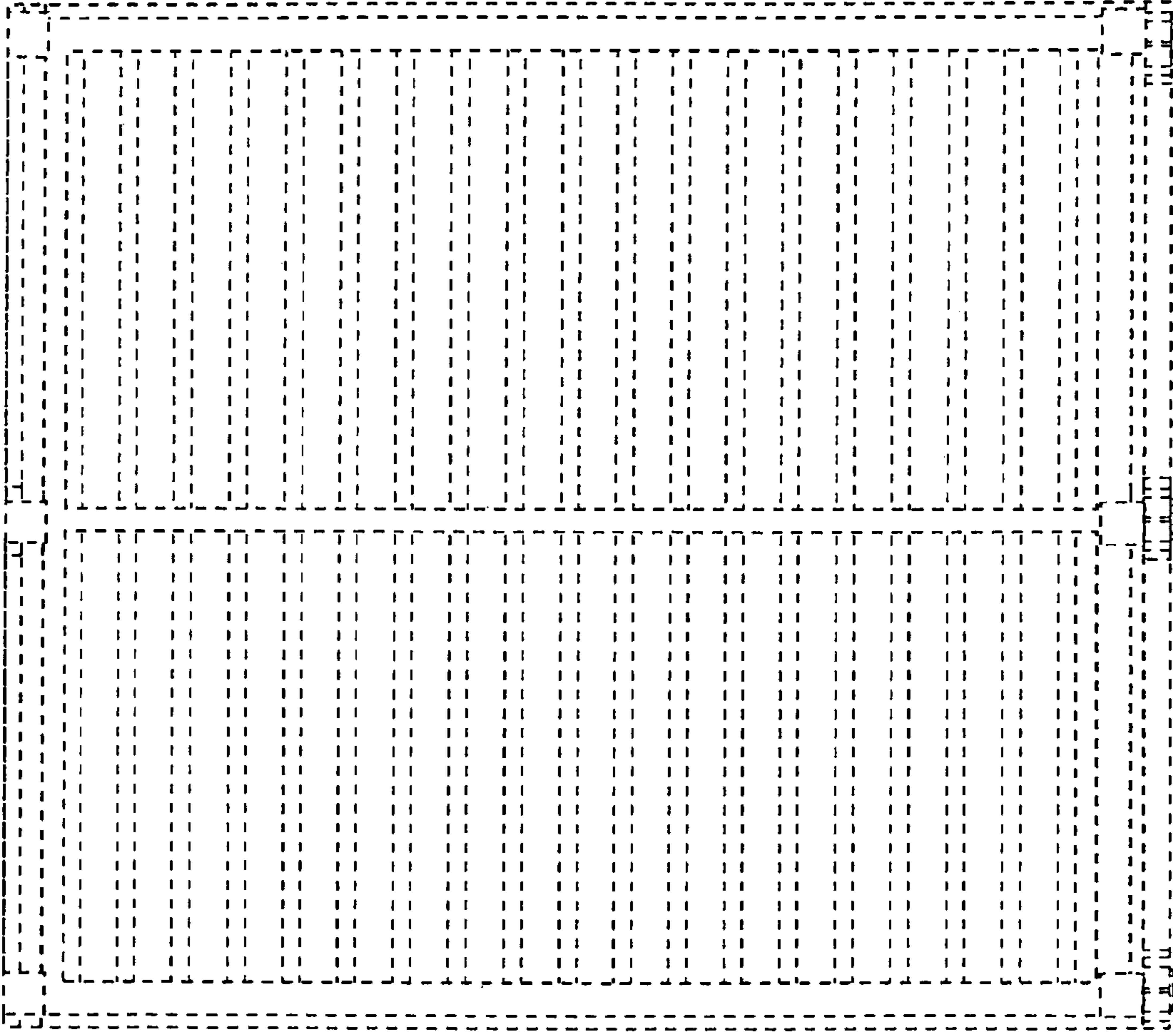


FIG. 7