



US00D707480S

(12) **United States Design Patent**  
**Heimbrock**

(10) **Patent No.:** **US D707,480 S**

(45) **Date of Patent:** **\*\* Jun. 24, 2014**

(54) **BED FRAME**

(71) Applicant: **Richard H. Heimbrock**, Cincinnati, OH  
(US)

(72) Inventor: **Richard H. Heimbrock**, Cincinnati, OH  
(US)

(73) Assignee: **Hill-Rom Services, Inc.**, Batesville, IN  
(US)

(\*\*) Term: **14 Years**

(21) Appl. No.: **29/436,400**

(22) Filed: **Nov. 5, 2012**

(51) **LOC (10) Cl.** ..... **06-02**

(52) **U.S. Cl.**  
USPC ..... **D6/718; D6/718.3; D6/392**

(58) **Field of Classification Search**  
USPC ..... **D6/382, 392, 718, 718.3; 5/600, 658,**  
**5/424-426, 428, 429, 662**  
See application file for complete search history.

(56) **References Cited**

**U.S. PATENT DOCUMENTS**

6,240,580	B1	6/2001	Hamilton et al.
6,363,552	B1	4/2002	Hornbach et al.
D458,481	S	6/2002	Brooke
D459,119	S	6/2002	Brooke
D463,179	S	9/2002	Brooke
D479,070	S	9/2003	Goodwin et al.
6,622,364	B2	9/2003	Hamilton et al.
6,640,360	B2	11/2003	Hornbach et al.
D488,941	S	4/2004	Lemire et al.

(Continued)

**OTHER PUBLICATIONS**

The Advance 2000® Bed from Hill-Rom, Hill-Rom 1993.

(Continued)

*Primary Examiner* — Janice Seeger

(74) *Attorney, Agent, or Firm* — Barnes & Thornburg LLP

(57) **CLAIM**

The ornamental design for a bed frame, as shown and described.

**DESCRIPTION**

Cross reference is made to U.S. patent application Ser. No. 29/436,401 entitled "Side Rail for a Bed" by Richard H. Heimbrock, which was filed on Nov. 5, 2012 and is hereby incorporated herein by reference.

FIG. 1 is a perspective view of a foot end of a bed frame showing our new design;

FIG. 2 is an elevation view of the foot end of the bed frame of FIG. 1;

FIG. 3 is an elevation view of a head end of the bed frame of FIG. 1;

FIG. 4 is a top plan view of the bed frame of FIG. 1;

FIG. 5 is a cross-sectional view of the bed frame of FIG. 1 taken along line 5-5 in FIG. 4;

FIG. 6 is a cross-sectional view of the bed frame of FIG. 1 taken along line 6-6 in FIG. 4;

FIG. 7 is a cross-sectional view of the bed frame of FIG. 1 taken along line 7-7 in FIG. 4;

FIG. 8 is a first side elevation view of the bed frame of FIG. 1;

FIG. 9 is a second side elevation view of the bed frame of FIG. 1;

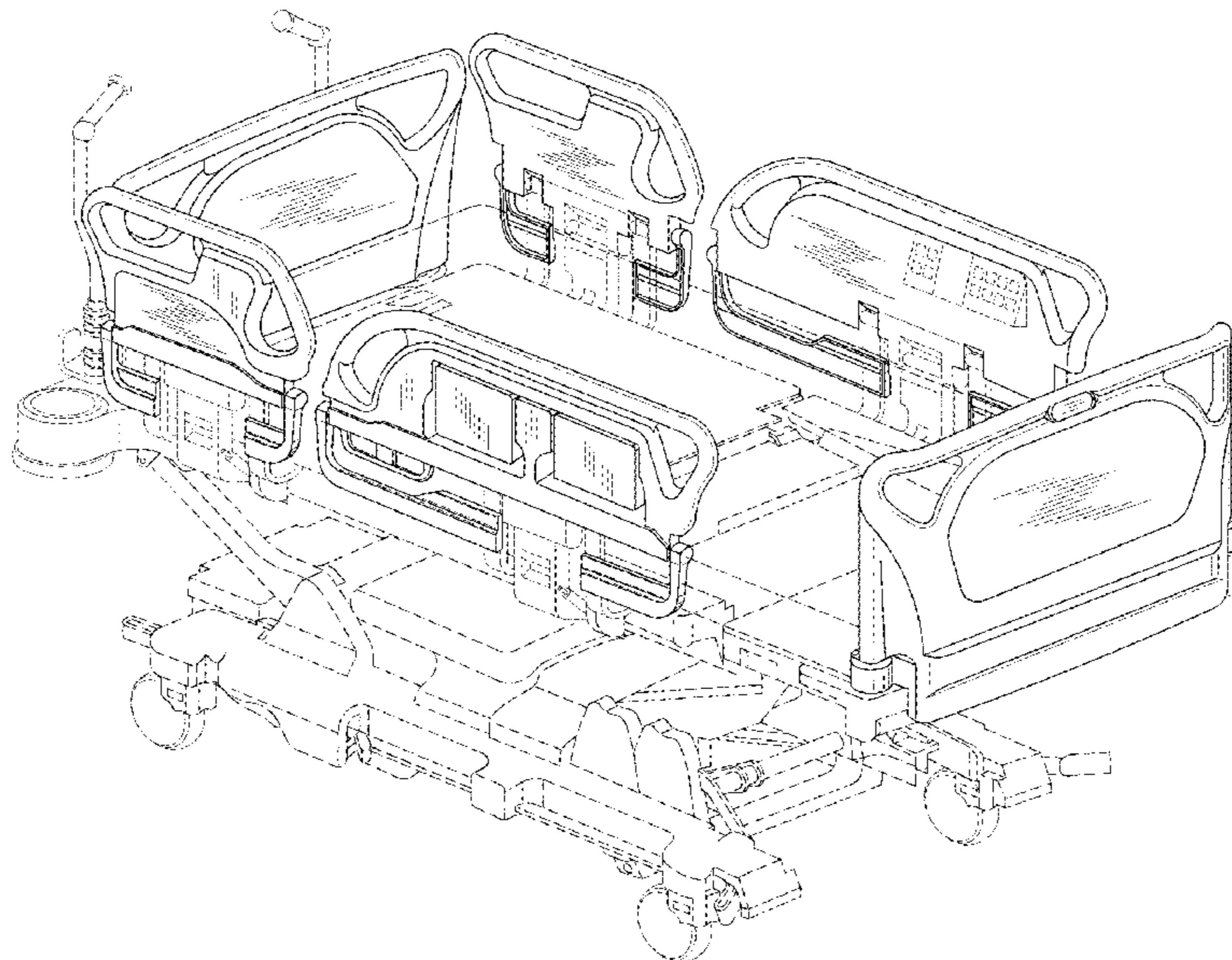
FIG. 10 is a bottom plan view of the bed frame of FIG. 1;

FIG. 11 is a perspective view of the head end of the bed frame of FIG. 1; and,

FIG. 12 is a cross-sectional view of the bed frame of FIG. 1 taken along line 11-11 in FIG. 4.

The broken lines shown in the figures depict environmental subject matter and form no part of the claimed design.

**1 Claim, 12 Drawing Sheets**



(56)

References Cited

U.S. PATENT DOCUMENTS

D488,942 S 4/2004 Lemire et al.  
 6,721,975 B1 4/2004 Lemire  
 6,779,209 B2 8/2004 Ganance  
 6,951,036 B2 10/2005 Lemire  
 7,073,220 B2 7/2006 Simmonds et al.  
 7,076,818 B2 7/2006 Kummer et al.  
 7,107,637 B2 9/2006 Kuek et al.  
 D553,382 S 10/2007 Hayes et al.  
 7,644,457 B2 1/2010 Hensley et al.  
 7,712,166 B2 5/2010 Stryker et al.  
 D616,678 S 6/2010 Heimbrock et al.  
 D616,679 S 6/2010 Heimbrock et al.  
 D617,586 S 6/2010 Heimbrock et al.  
 D617,587 S 6/2010 Heimbrock et al.  
 D617,588 S 6/2010 Heimbrock et al.  
 D617,589 S 6/2010 Heimbrock et al.  
 7,761,939 B2 7/2010 Wiggins et al.  
 7,784,125 B2 8/2010 Morin et al.  
 7,836,531 B2\* 11/2010 Girard et al. .... 5/600  
 D628,416 S 12/2010 Heimbrock et al.  
 7,895,689 B2 3/2011 Hayes et al.  
 7,930,778 B2 4/2011 Wu et al.  
 D640,887 S 7/2011 Heimbrock et al.  
 7,971,291 B2 7/2011 Stryker et al.  
 8,143,846 B2 3/2012 Herman et al.

8,205,280 B2 6/2012 Hensley et al.  
 8,266,741 B2 9/2012 Penninger et al.  
 8,296,884 B2 10/2012 Heimbrock  
 8,341,777 B2\* 1/2013 Hensley et al. .... 5/600  
 8,387,179 B2 3/2013 Metz et al.  
 8,413,270 B2 4/2013 Turner et al.  
 2007/0163043 A1\* 7/2007 Lemire et al. .... 5/600  
 2008/0005838 A1\* 1/2008 Wan Fong et al. .... 5/600  
 2009/0188731 A1\* 7/2009 Zerhusen et al. .... 5/600  
 2010/0077549 A1\* 4/2010 Hensley et al. .... 5/618  
 2011/0231996 A1\* 9/2011 Lemire et al. .... 5/613  
 2012/0023670 A1\* 2/2012 Zerhusen et al. .... 5/600  
 2012/0151678 A1\* 6/2012 Richards .... 5/613  
 2013/0019405 A1\* 1/2013 Flanagan et al. .... 5/600

OTHER PUBLICATIONS

A Hill-Rom Solution Affinity II Bed, Hill-Rom 1996.  
 Affinity® Three Birthing Bed, Hill-Rom Services, Inc. 2000.  
 TotalCare® Connect Bed and TotalCare® Bed, Options and Accessories, Hill-Rom Services, Inc. 2008.  
 Hill-Rom® Med-Surg Beds Traction Catalog Part Descriptions and Ordering Information, Hill-Rom Services, Inc. 2007.  
 User Manual, TotalCare® Bed System, Hill-Rom, Product No. P1900-00, Hill-Rom Services, Inc. 2000.  
 A Hill-Rom Solution, TotalCare Bed System, Hill-Rom 1998.

\* cited by examiner



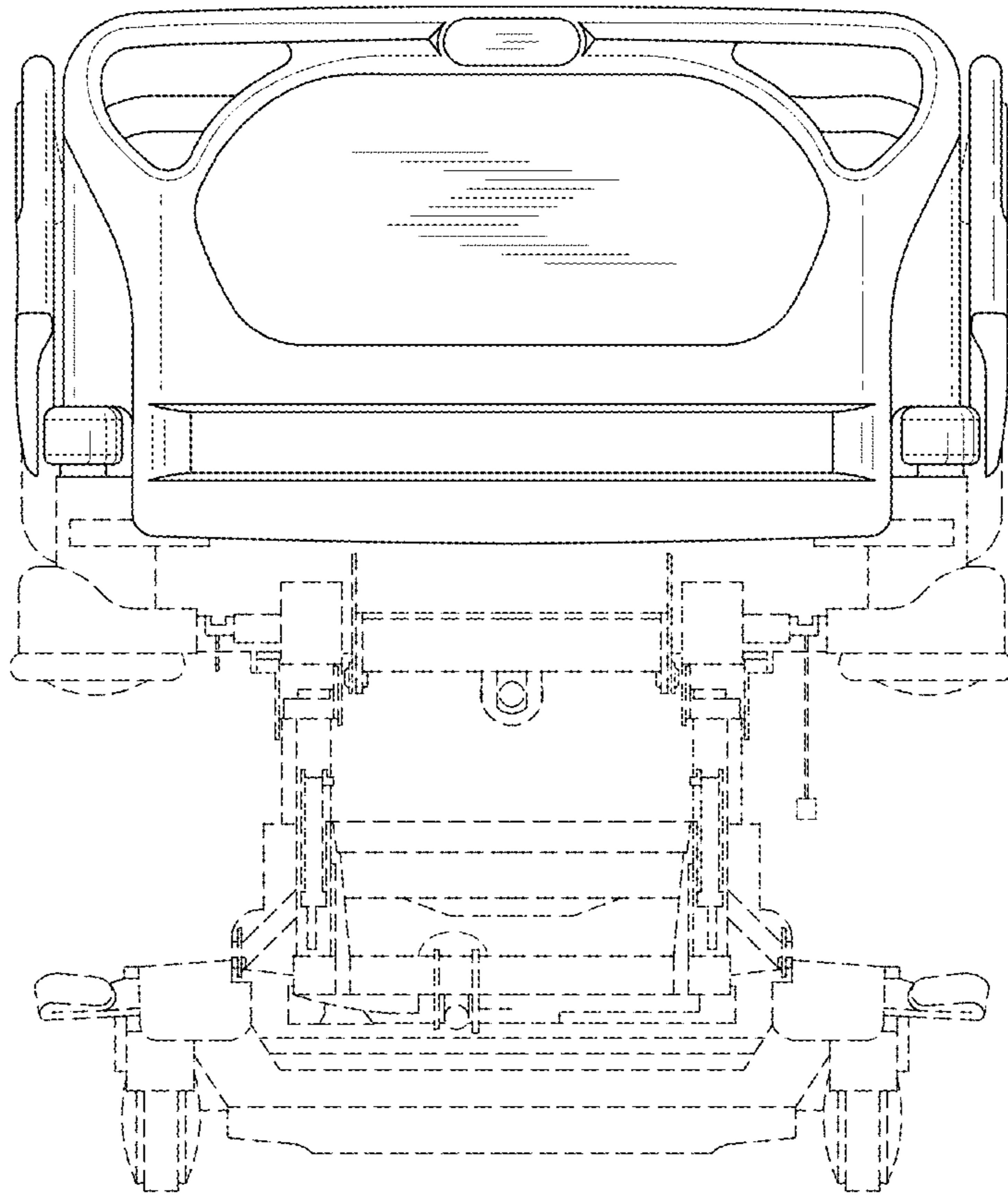


Fig. 2

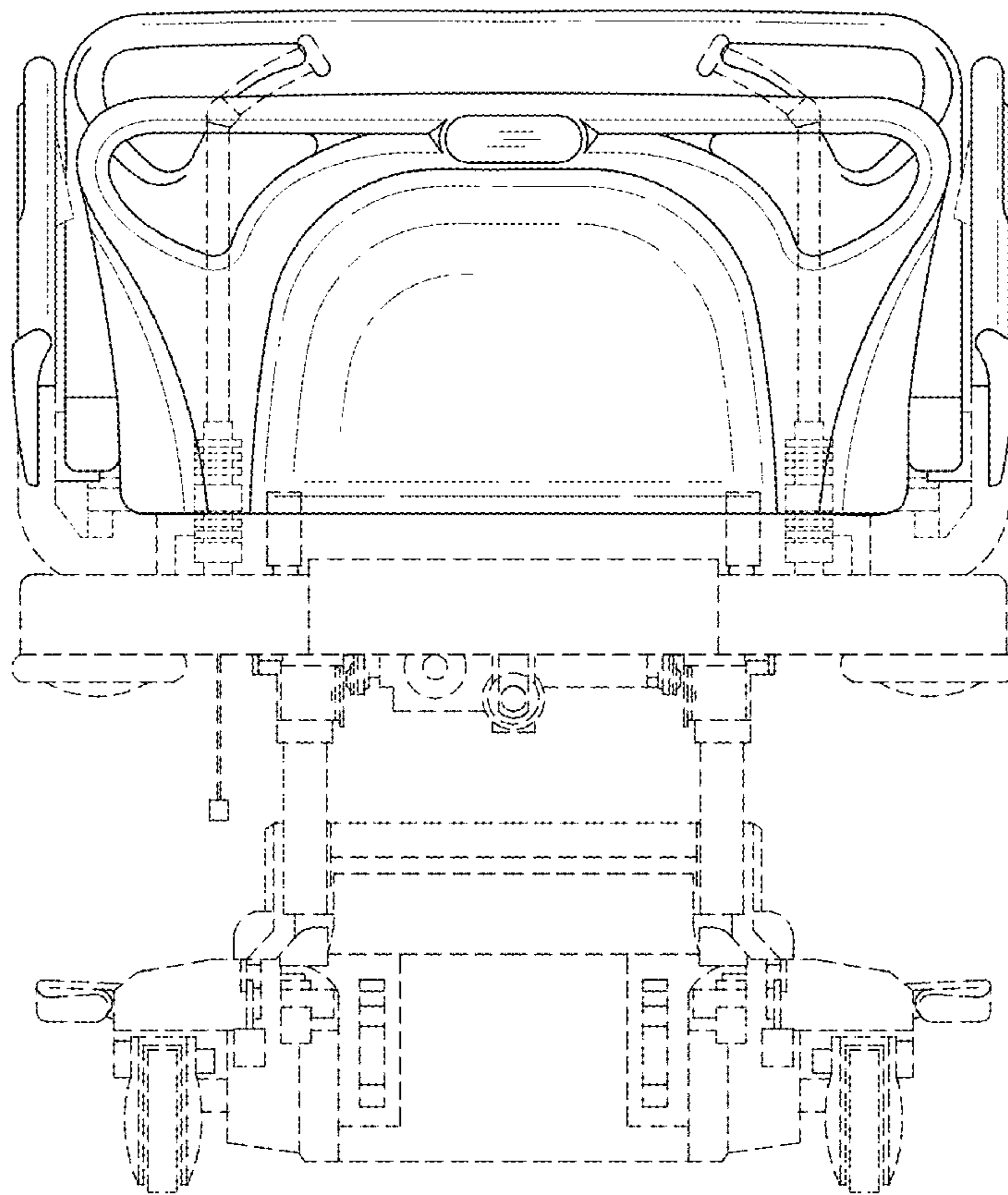


Fig. 3

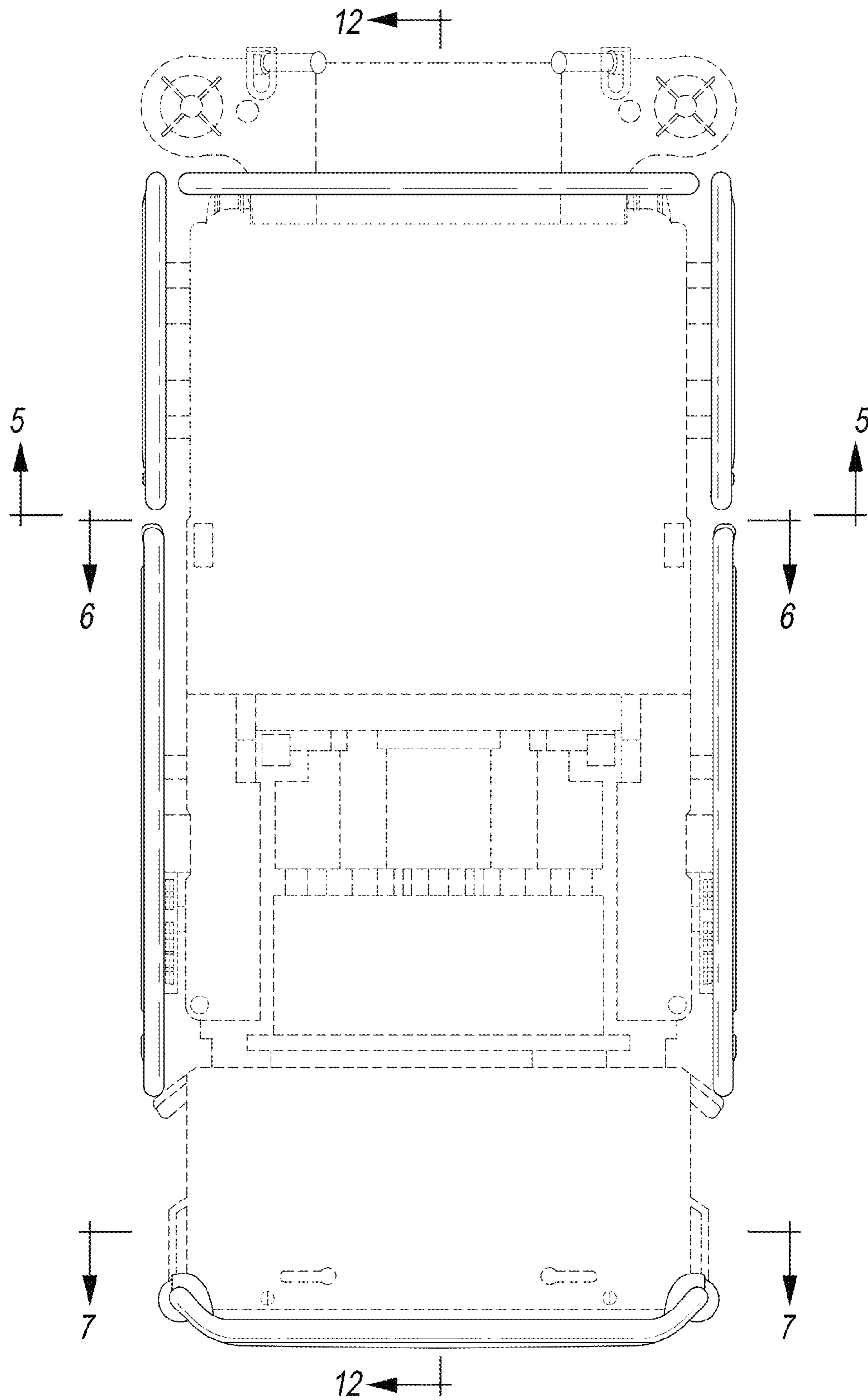


Fig. 4

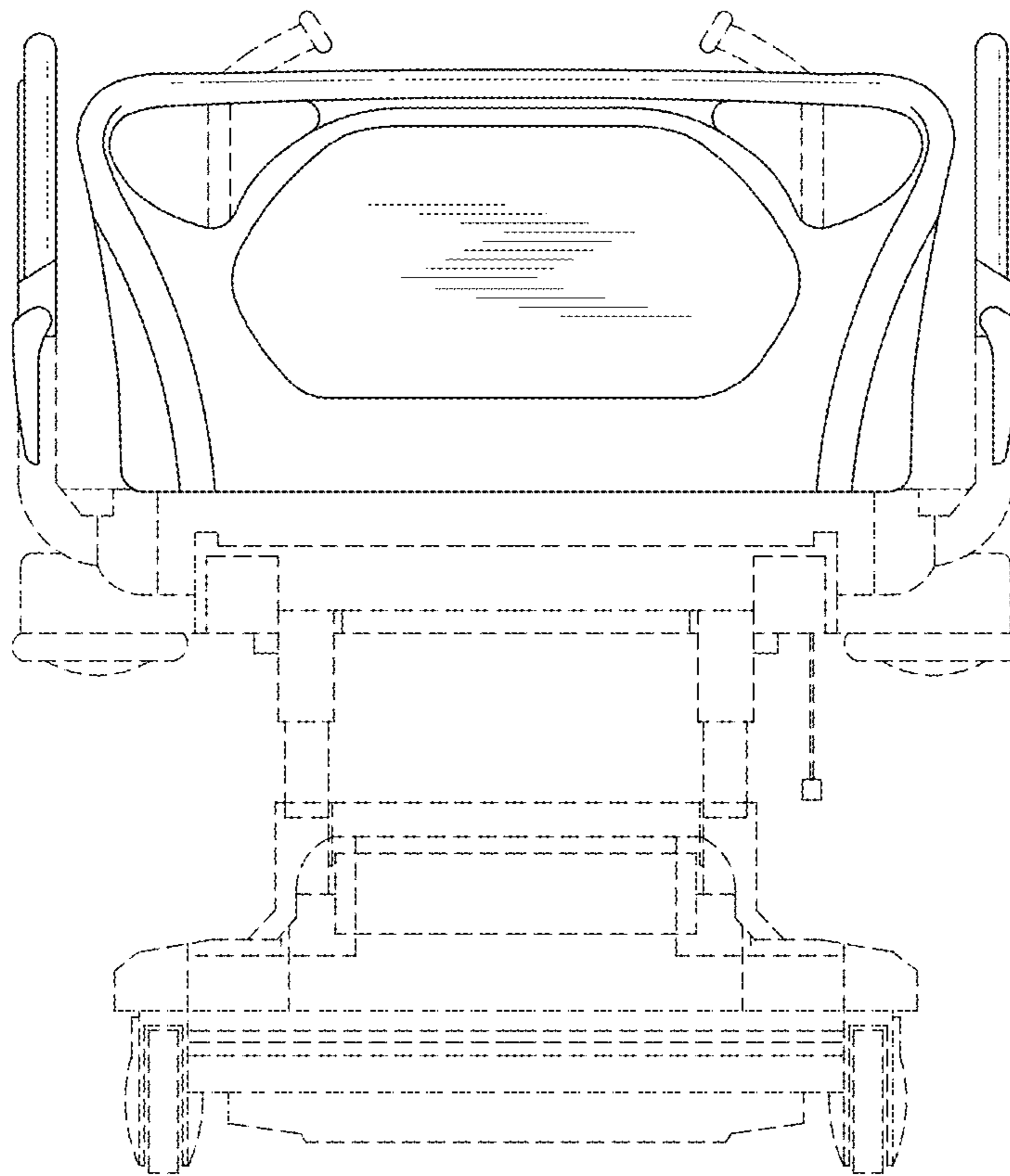


Fig. 5

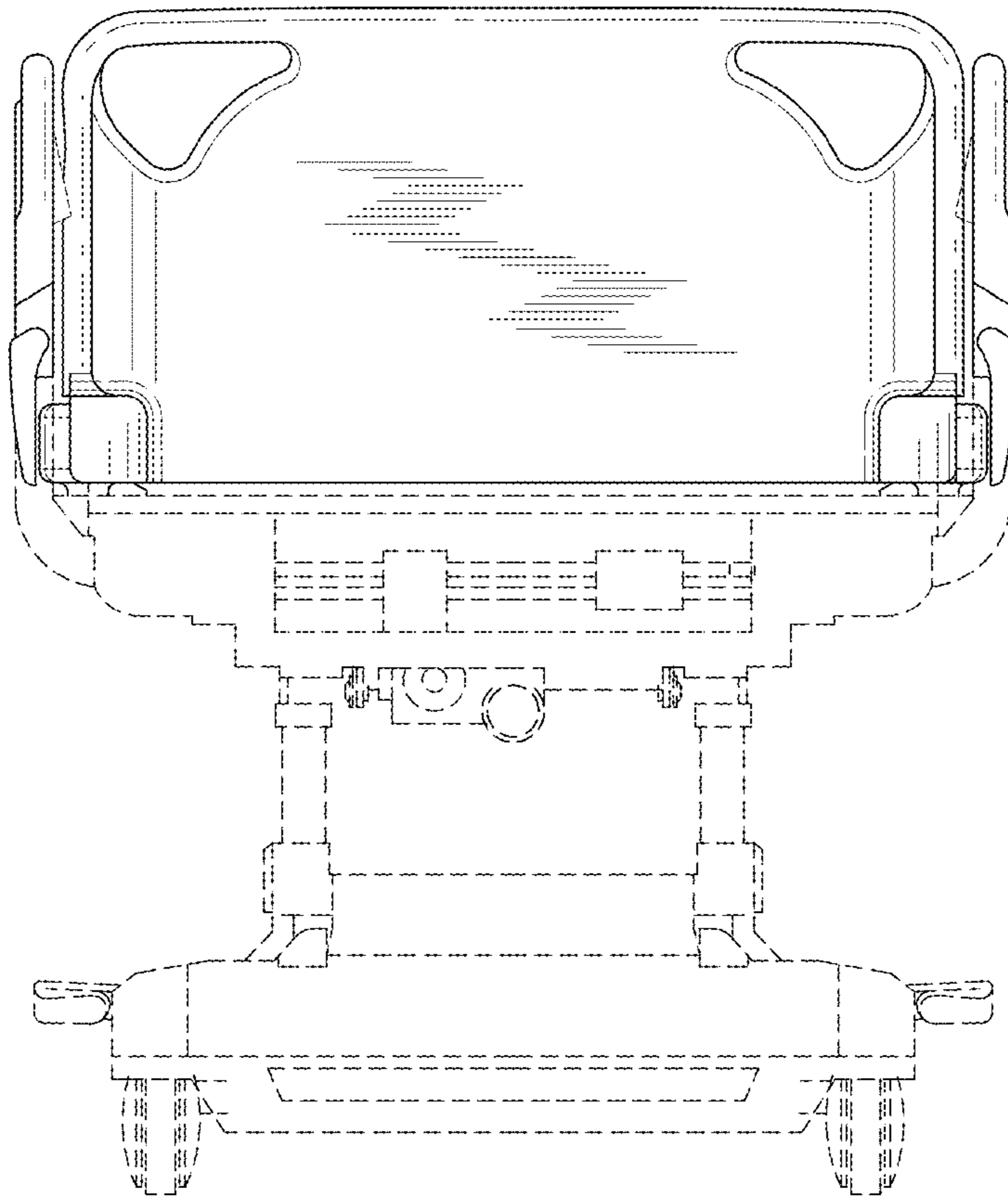


Fig. 6



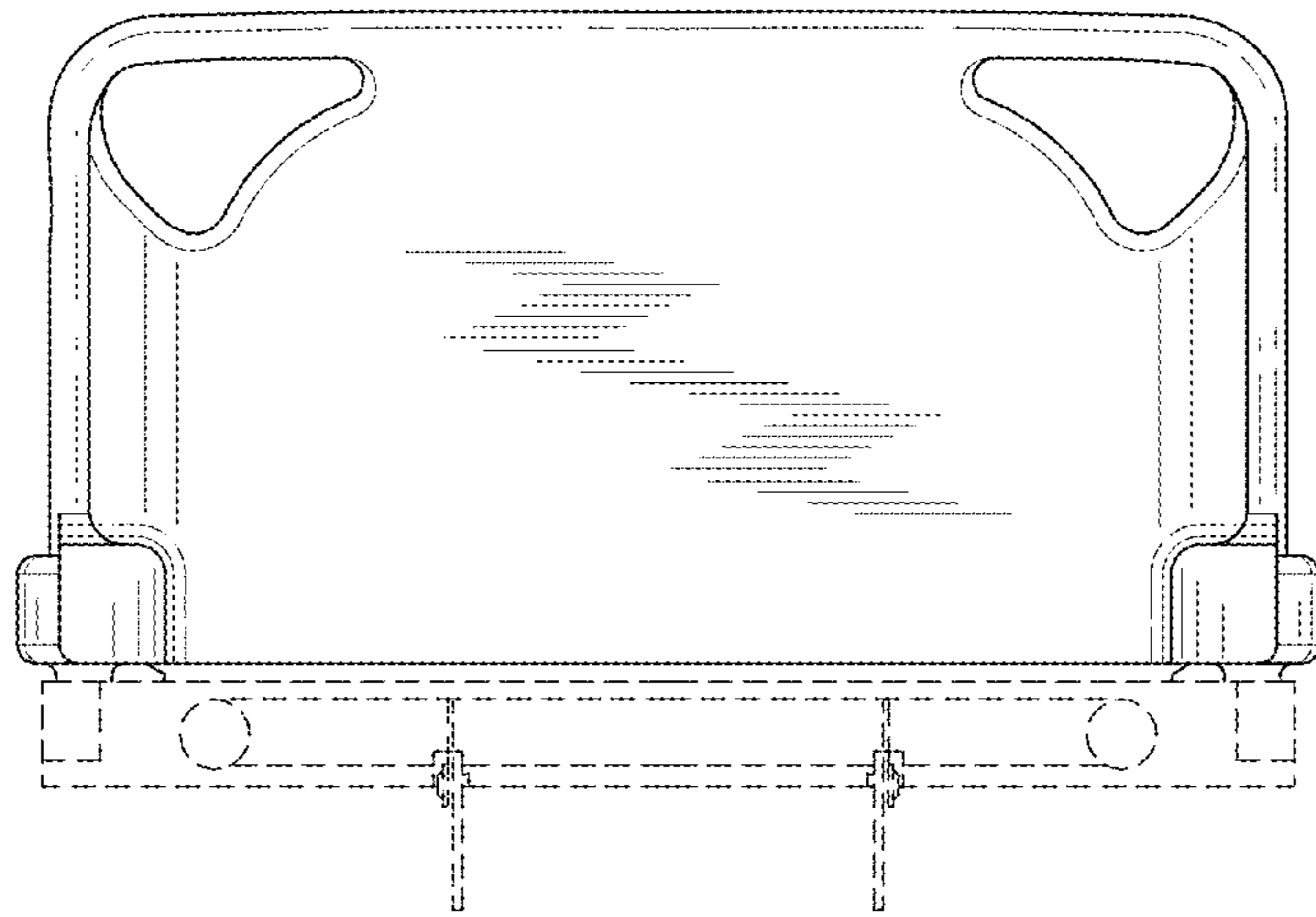


Fig. 7

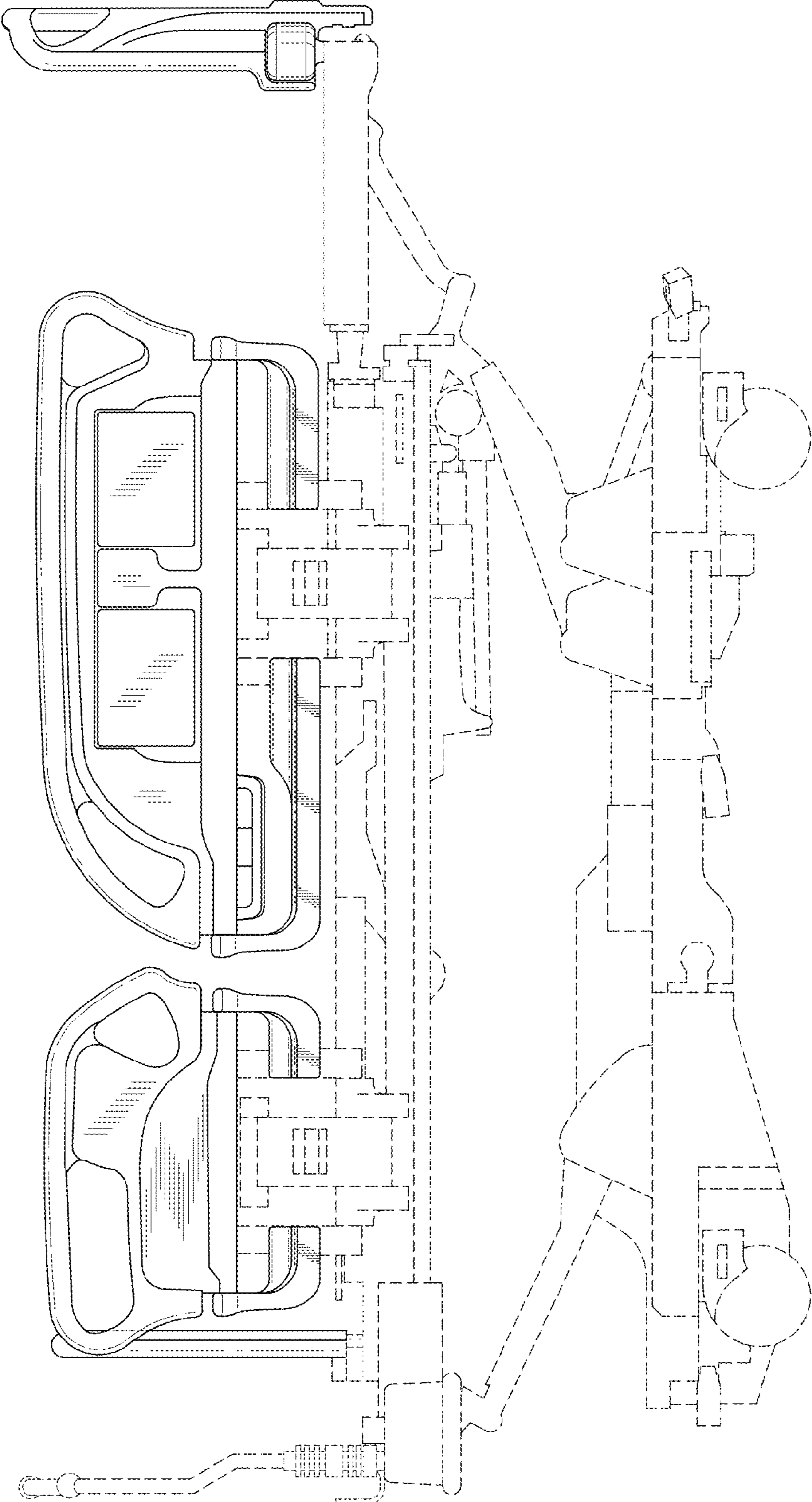


Fig. 8

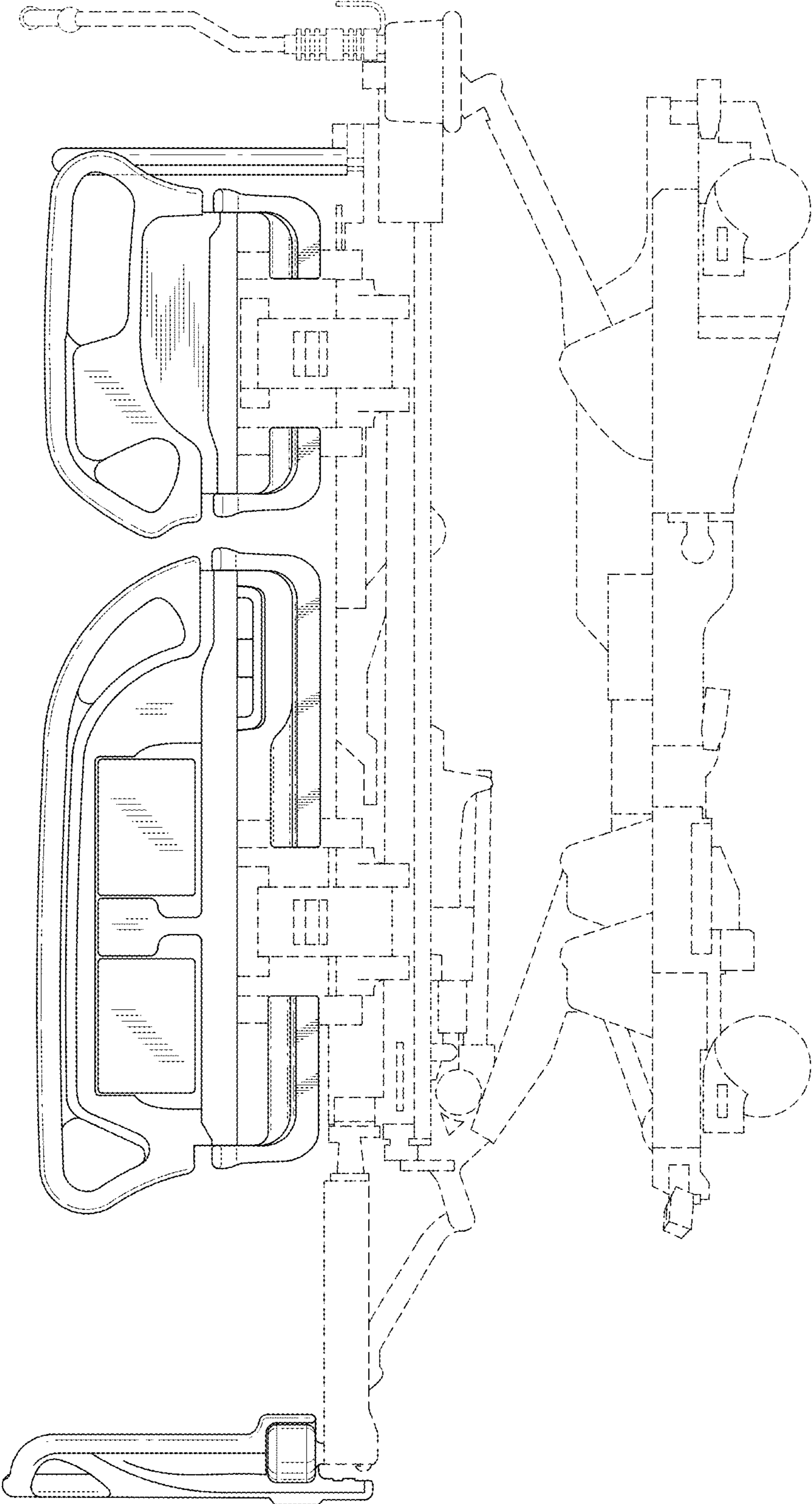


Fig. 9

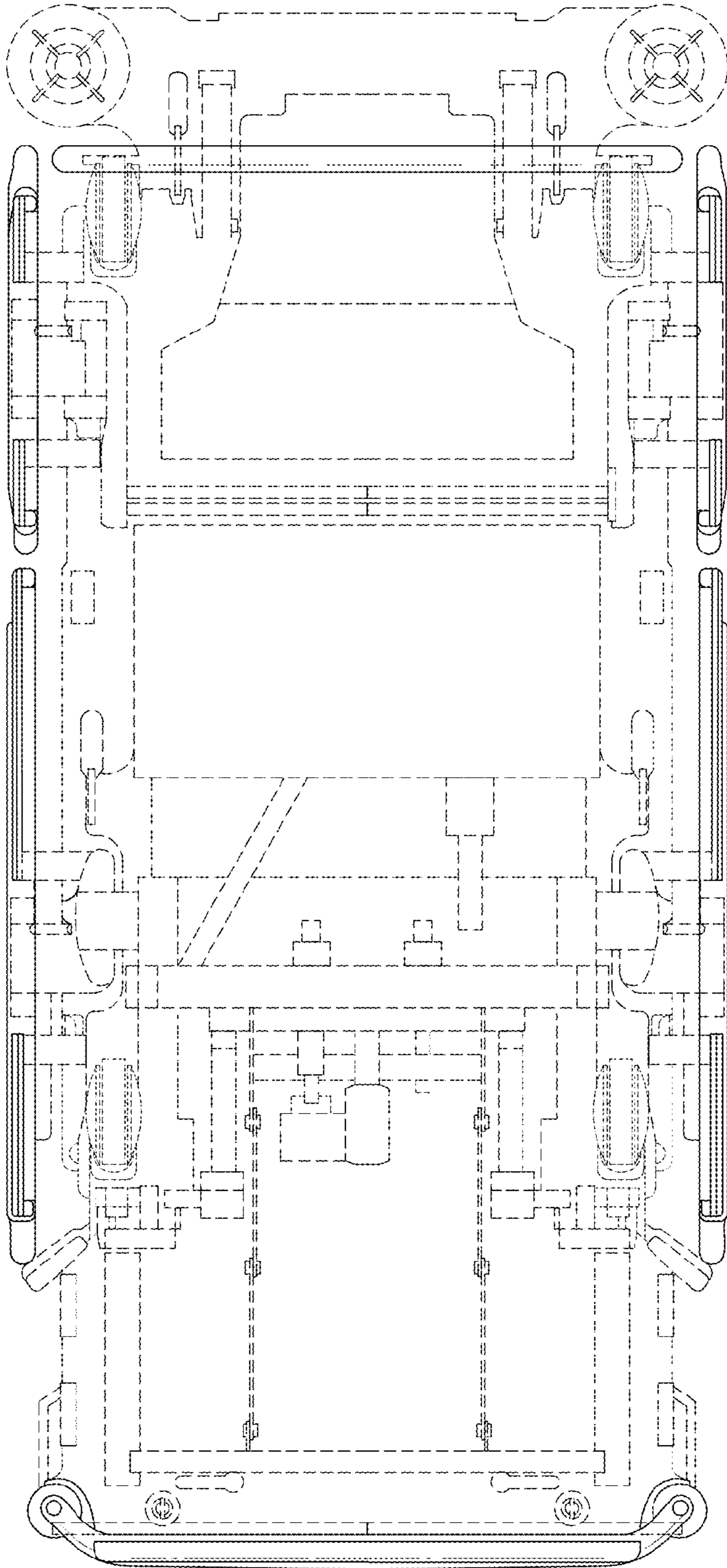


Fig. 10

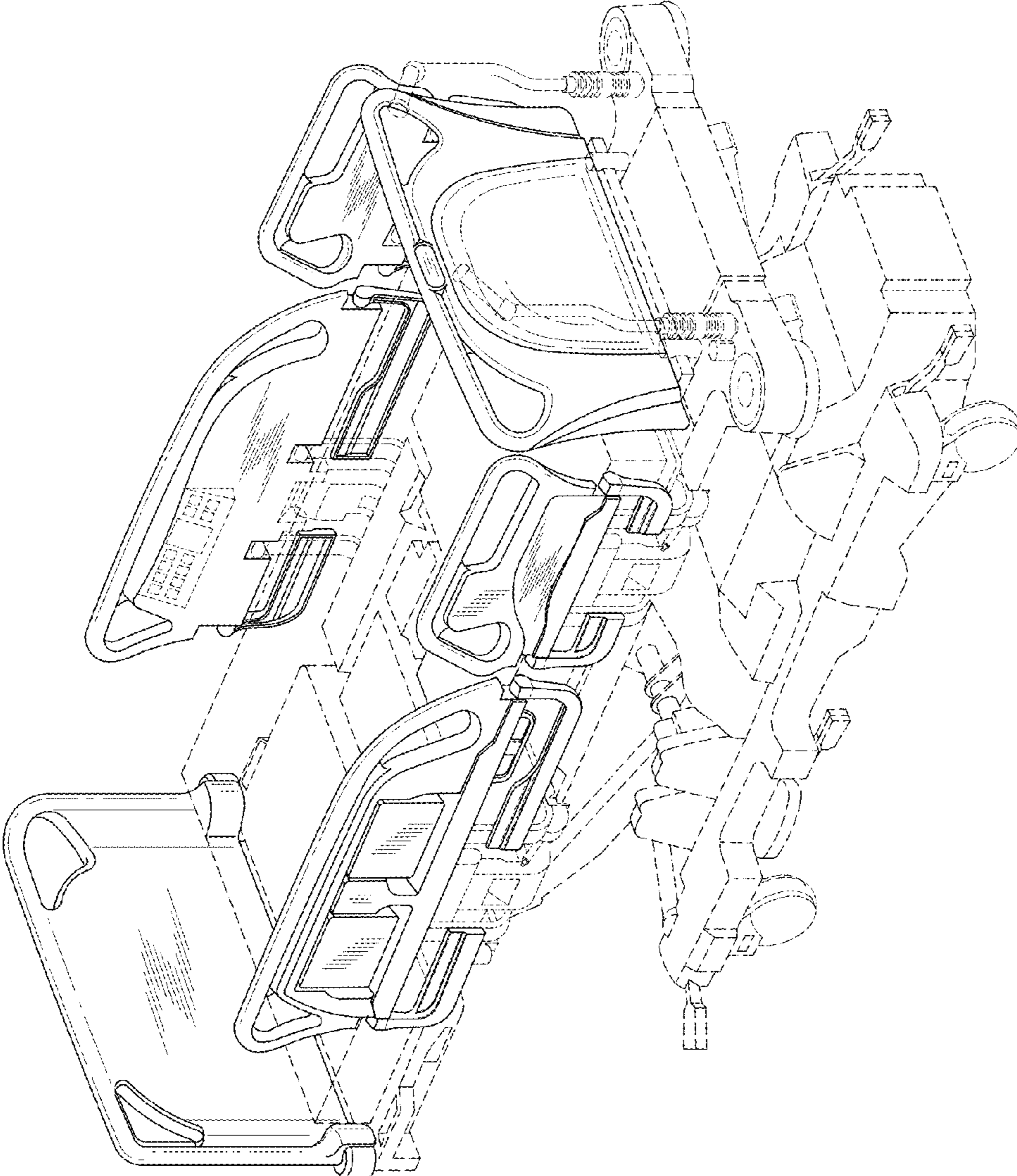


Fig. 11

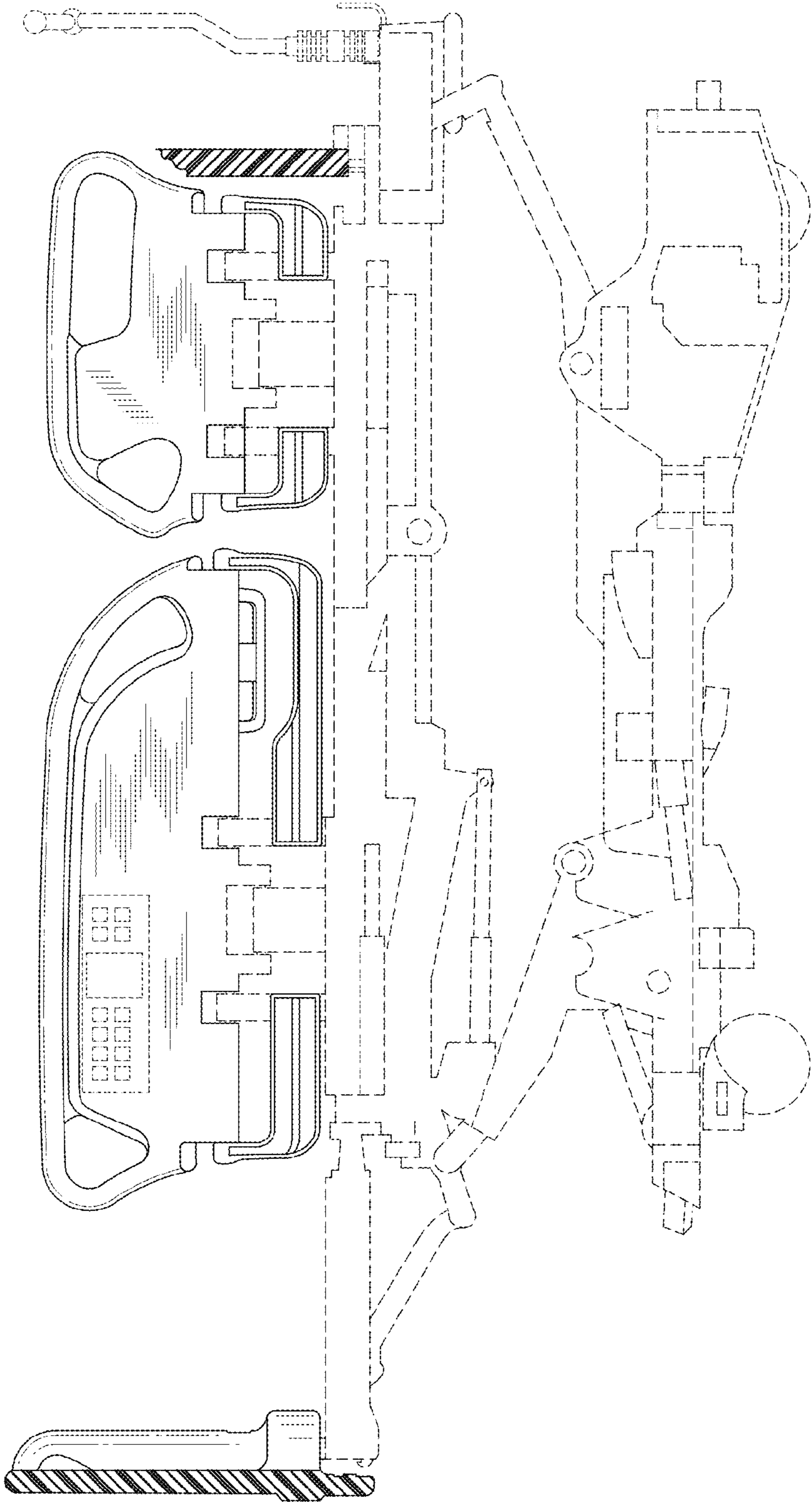


Fig. 12