



US00D707478S

(12) **United States Design Patent**  
**Kapka et al.**

(10) **Patent No.:** **US D707,478 S**  
(45) **Date of Patent:** **\*\* Jun. 24, 2014**

(54) **CONTOUR ARMREST**  
(75) Inventors: **Mark Kapka**, San Francisco, CA (US);  
**Alan Ernest Rheault**, Grand Rapids, MI  
(US); **Karl Jahn Mead**, East Grand  
Rapids, MI (US)

2,524,909 A \* 10/1950 Hines ..... 312/235.6  
2,720,659 A 10/1955 Brown  
2,899,691 A 8/1959 Davis et al.

(Continued)

**FOREIGN PATENT DOCUMENTS**

(73) Assignee: **Steelcase Inc.**, Grand Rapids, MI (US)

DE 2204784 A1 8/1973  
FR 2358128 B1 11/1980

(\*\*) Term: **14 Years**

*Primary Examiner* — Sandra Snapp

(21) Appl. No.: **29/430,850**

(57) **CLAIM**

We claim the ornamental design for a contour armrest, as shown and described.

(22) Filed: **Aug. 30, 2012**

(51) **LOC (10) Cl.** ..... **06-01**

(52) **U.S. Cl.**

USPC ..... **D6/716.2**; D6/361

(58) **Field of Classification Search**

USPC ..... D6/334–338, 349, 355, 361, 368–370,  
D6/376, 379–381, 492, 500–502, 716,  
D6/716.1, 716.2, 716.3, 356; 297/16.1, 42,  
297/94, 135, 175, 232, 233, 350, 351,  
297/445.1, 448.1, 448.2, 451.9; 5/12.1,  
5/12.2; D12/421

See application file for complete search history.

**DESCRIPTION**

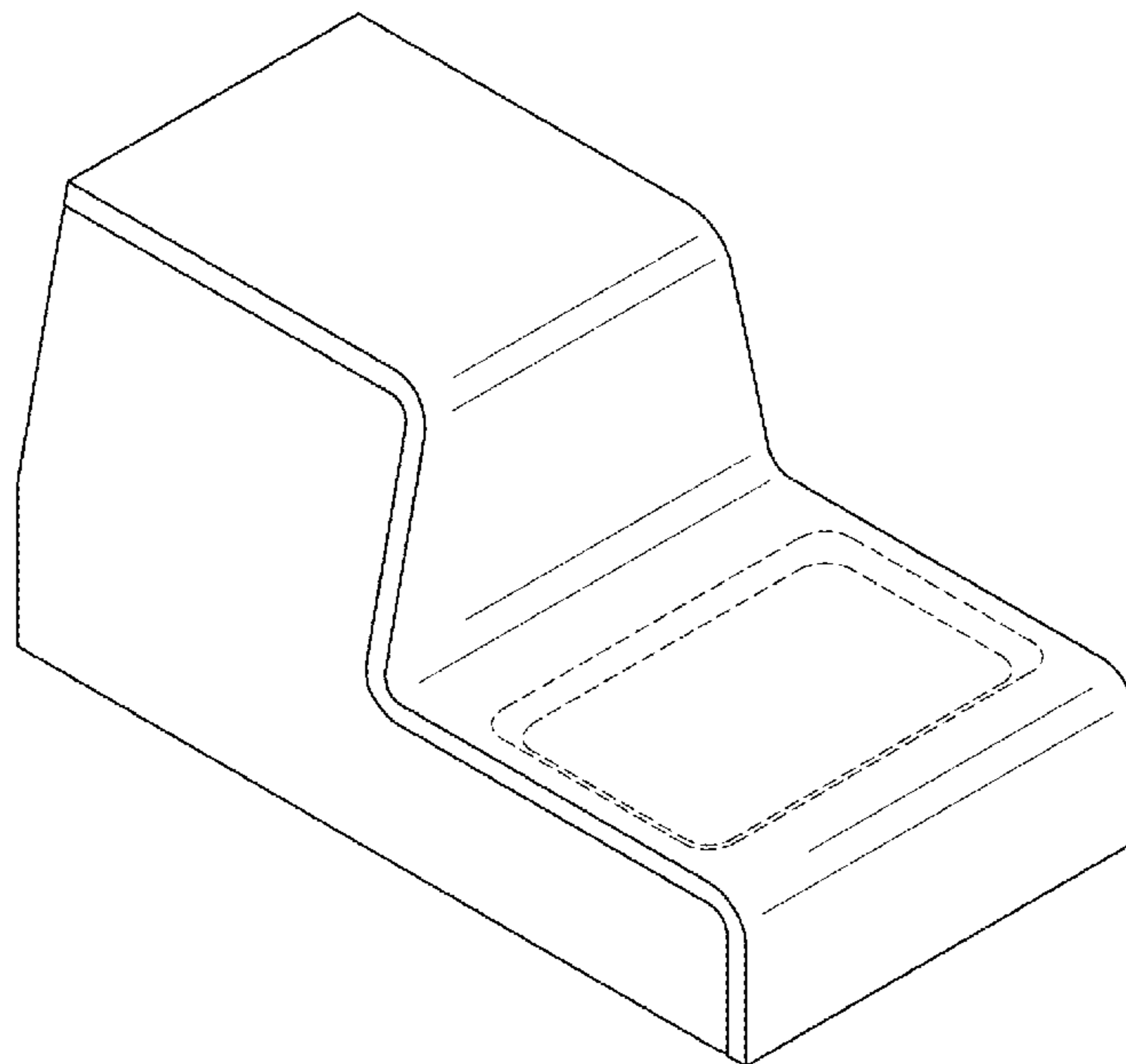
FIG. 1 is a top perspective view of a contour armrest, according to one embodiment;  
FIG. 2 is a right side view of a contour armrest of FIG. 1, the left side view is a mirror image of the right side view of FIG. 2;  
FIG. 3 is a front view of a contour armrest of FIG. 1;  
FIG. 4 is a rear view of a contour armrest of FIG. 1;  
FIG. 5 is a top view of a contour armrest of FIG. 1;  
FIG. 6 is a bottom view of a contour armrest of FIG. 1;  
FIG. 7 is a top perspective view of a contour armrest, according to a second embodiment;  
FIG. 8 is a right side view of a contour armrest of FIG. 7, the left side view is a mirror image of the right side view of FIG. 8;  
FIG. 9 is a front view of a contour armrest of FIG. 7;  
FIG. 10 is a rear view of a contour armrest of FIG. 7;  
FIG. 11 is a top view of a contour armrest of FIG. 7; and,  
FIG. 12 is a bottom view of a contour armrest of FIG. 7.  
The dashed lines are for purposes of illustrating environmental structure and form no part of the claimed design.

(56) **References Cited**

**U.S. PATENT DOCUMENTS**

797,826 A 8/1905 Sherman, Jr.  
843,547 A 2/1907 McKensey  
1,265,977 A 5/1918 Vordermark  
1,391,462 A 9/1921 Robinson  
2,103,552 A 12/1937 Alexander  
D127,925 S 6/1941 Scott  
2,261,506 A 11/1941 Scott  
2,279,946 A 4/1942 Johnson  
D151,983 S 12/1948 Guertin  
2,476,105 A 7/1949 Megary

**1 Claim, 4 Drawing Sheets**



(56)

References Cited

U.S. PATENT DOCUMENTS

|              |      |         |                      |            |  |  |  |
|--------------|------|---------|----------------------|------------|--|--|--|
| 3,055,017    | A    | 9/1962  | Thierfelder          |            |  |  |  |
| 3,093,410    | A    | 6/1963  | Forest               |            |  |  |  |
| 3,104,131    | A *  | 9/1963  | Krone .....          | 297/411.24 |  |  |  |
| 3,127,216    | A    | 3/1964  | Clouse               |            |  |  |  |
| D203,817     | S    | 2/1966  | Burker               |            |  |  |  |
| 3,241,885    | A    | 3/1966  | Deaton               |            |  |  |  |
| D207,902     | S *  | 6/1967  | Bray .....           | D12/421    |  |  |  |
| 3,353,865    | A    | 11/1967 | Sidney               |            |  |  |  |
| 3,356,409    | A *  | 12/1967 | Belsky et al. ....   | 296/24.34  |  |  |  |
| D214,245     | S    | 5/1969  | Sand                 |            |  |  |  |
| D215,839     | S    | 11/1969 | Wormser              |            |  |  |  |
| 3,517,978    | A *  | 6/1970  | Hudson .....         | 312/235.8  |  |  |  |
| 3,635,521    | A    | 1/1972  | Shivvers             |            |  |  |  |
| 3,811,728    | A    | 5/1974  | Redemske             |            |  |  |  |
| D241,485     | S    | 9/1976  | Blodee               |            |  |  |  |
| 4,032,188    | A    | 6/1977  | Jones                |            |  |  |  |
| D246,023     | S    | 10/1977 | Hillman et al.       |            |  |  |  |
| 4,070,715    | A    | 1/1978  | Reppas               |            |  |  |  |
| 4,110,854    | A    | 9/1978  | Sjolie               |            |  |  |  |
| D256,297     | S    | 8/1980  | Gera et al.          |            |  |  |  |
| D272,872     | S    | 3/1984  | Moreno               |            |  |  |  |
| D273,254     | S    | 4/1984  | Fairaizen            |            |  |  |  |
| D282,886     | S    | 3/1986  | Williams             |            |  |  |  |
| D284,142     | S    | 6/1986  | Raftery              |            |  |  |  |
| D288,631     | S    | 3/1987  | Mample               |            |  |  |  |
| 4,681,219    | A *  | 7/1987  | Kitchens .....       | 206/315.11 |  |  |  |
| 4,796,791    | A *  | 1/1989  | Goss et al. ....     | 224/275    |  |  |  |
| D312,001     | S    | 11/1990 | Synarski et al.      |            |  |  |  |
| D312,736     | S    | 12/1990 | Grosfillex           |            |  |  |  |
| D335,035     | S    | 4/1993  | Floyd                |            |  |  |  |
| D342,617     | S    | 12/1993 | Louden               |            |  |  |  |
| D358,283     | S    | 5/1995  | Kelly                |            |  |  |  |
| D359,406     | S    | 6/1995  | Crawford et al.      |            |  |  |  |
| 5,423,597    | A    | 6/1995  | Rogers               |            |  |  |  |
| D360,775     | S    | 8/1995  | Karkoska et al.      |            |  |  |  |
| D369,247     | S    | 4/1996  | Anderson             |            |  |  |  |
| 5,577,818    | A *  | 11/1996 | Sayre .....          | 312/235.8  |  |  |  |
| D376,499     | S    | 12/1996 | Glick et al.         |            |  |  |  |
| 5,754,995    | A    | 5/1998  | Behrendt             |            |  |  |  |
| D418,313     | S    | 1/2000  | Sexton et al.        |            |  |  |  |
| D419,314     | S    | 1/2000  | Saul                 |            |  |  |  |
| D431,944     | S *  | 10/2000 | Cazarez et al. ....  | D6/501     |  |  |  |
| D439,425     | S    | 3/2001  | Park et al.          |            |  |  |  |
| 6,343,835    | B1 * | 2/2002  | Ledbetter .....      | 297/188.2  |  |  |  |
| D502,910     | S *  | 3/2005  | Klopp et al. ....    | D12/421    |  |  |  |
| D510,816     | S    | 10/2005 | Lee                  |            |  |  |  |
| 7,040,695    | B2   | 5/2006  | McClure              |            |  |  |  |
| D527,196     | S    | 8/2006  | Antonioni            |            |  |  |  |
| D530,929     | S    | 10/2006 | Resterhouse et al.   |            |  |  |  |
| D532,209     | S    | 11/2006 | Rodis                |            |  |  |  |
| 7,181,783    | B2   | 2/2007  | O'Reilly             |            |  |  |  |
| D538,549     | S    | 3/2007  | Spear                |            |  |  |  |
| D541,075     | S    | 4/2007  | Natuzzi              |            |  |  |  |
| D558,993     | S    | 1/2008  | Saint Jalmes et al.  |            |  |  |  |
| D561,487     | S    | 2/2008  | Schweikarth et al.   |            |  |  |  |
| 7,347,471    | B2 * | 3/2008  | Whitens et al. ....  | 296/24.34  |  |  |  |
| D566,417     | S    | 4/2008  | Mourgue              |            |  |  |  |
| D566,980     | S    | 4/2008  | Mourgue              |            |  |  |  |
| D568,232     | S *  | 5/2008  | Motozaki et al. .... | D12/421    |  |  |  |
| D569,112     | S    | 5/2008  | Swanson              |            |  |  |  |
| D575,963     | S    | 9/2008  | Gomez                |            |  |  |  |
| D577,211     | S    | 9/2008  | Natuzzi              |            |  |  |  |
| D582,688     | S    | 12/2008 | Spear                |            |  |  |  |
| D586,590     | S    | 2/2009  | Schweikarth et al.   |            |  |  |  |
| D587,918     | S    | 3/2009  | Bergman et al.       |            |  |  |  |
| D597,328     | S    | 8/2009  | Schweikarth et al.   |            |  |  |  |
| D598,665     | S    | 8/2009  | Cloet et al.         |            |  |  |  |
| D598,666     | S    | 8/2009  | Cloet et al.         |            |  |  |  |
| D600,938     | S    | 9/2009  | Natuzzi              |            |  |  |  |
| D614,876     | S    | 5/2010  | Metcalf et al.       |            |  |  |  |
| D614,884     | S    | 5/2010  | Metcalf et al.       |            |  |  |  |
| D615,767     | S    | 5/2010  | Griepentrog et al.   |            |  |  |  |
| D617,122     | S    | 6/2010  | Moon et al.          |            |  |  |  |
| D618,935     | S    | 7/2010  | Metcalf et al.       |            |  |  |  |
| D620,288     | S    | 7/2010  | Stiker Metral        |            |  |  |  |
| D624,328     | S    | 9/2010  | Grandin et al.       |            |  |  |  |
| D639,083     | S    | 6/2011  | Martin               |            |  |  |  |
| 2007/0289225 | A1   | 12/2007 | Kern et al.          |            |  |  |  |
| 2009/0243352 | A1   | 10/2009 | Cailleateau          |            |  |  |  |

\* cited by examiner

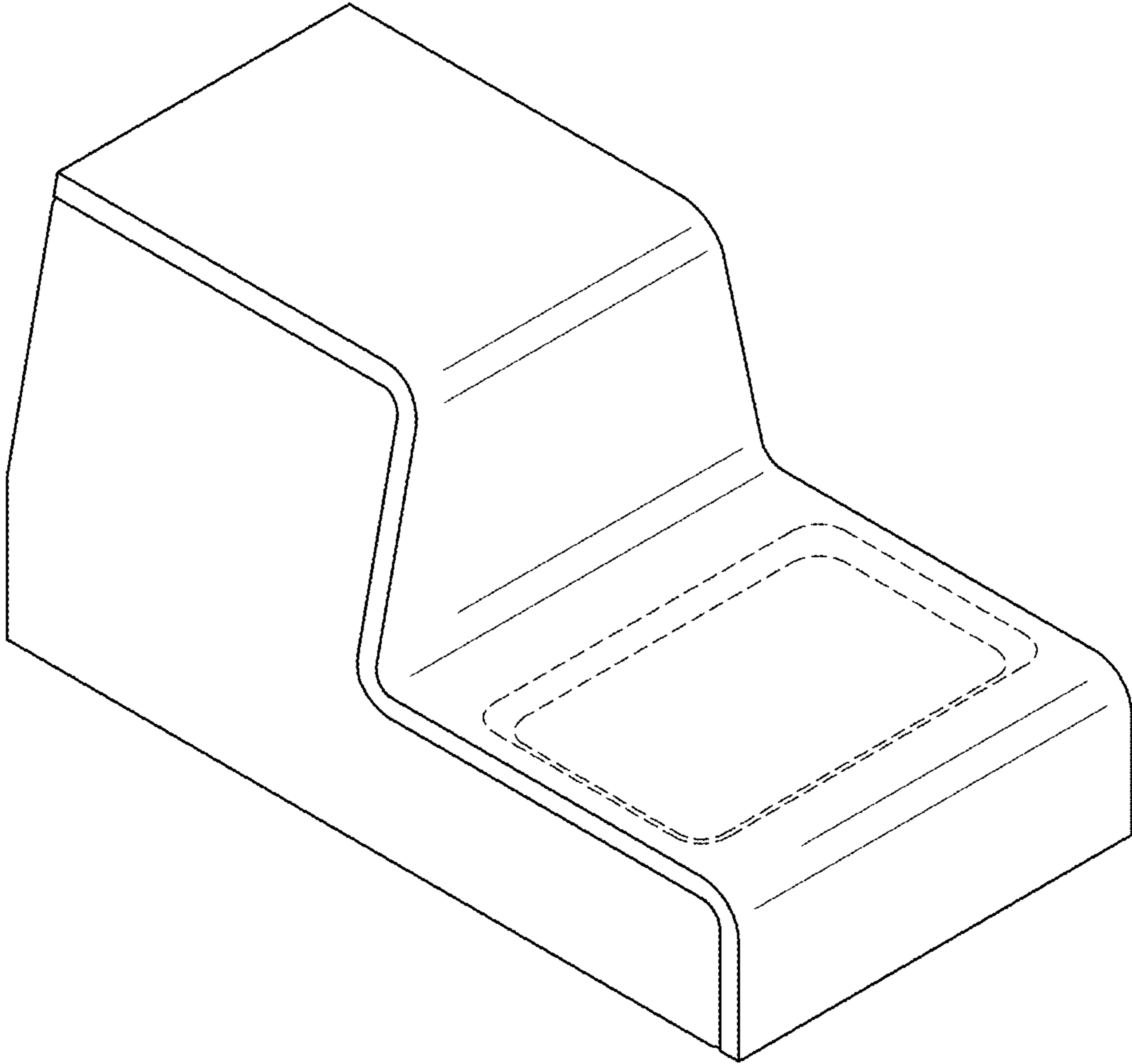


FIG. 1

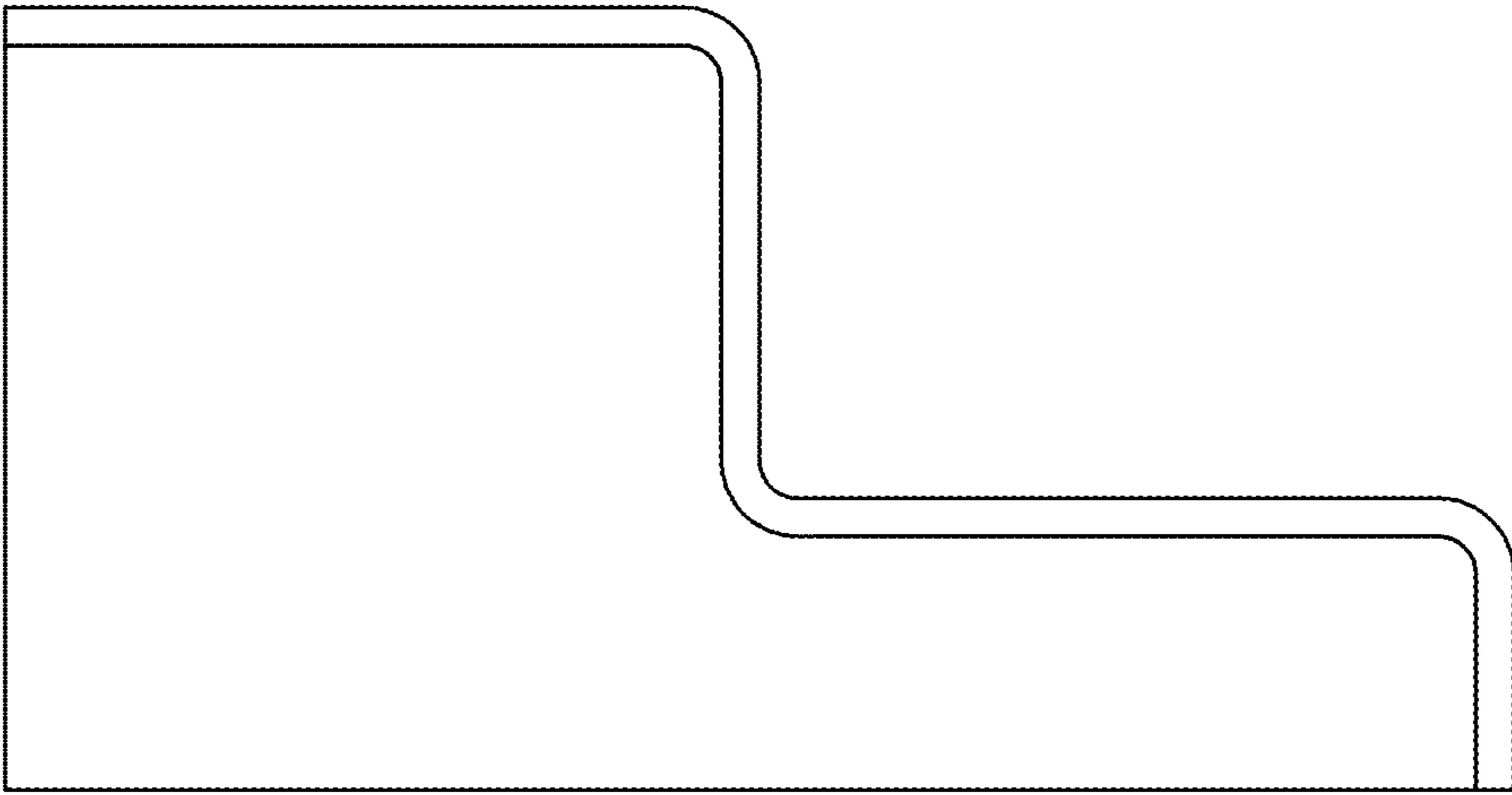


FIG. 2

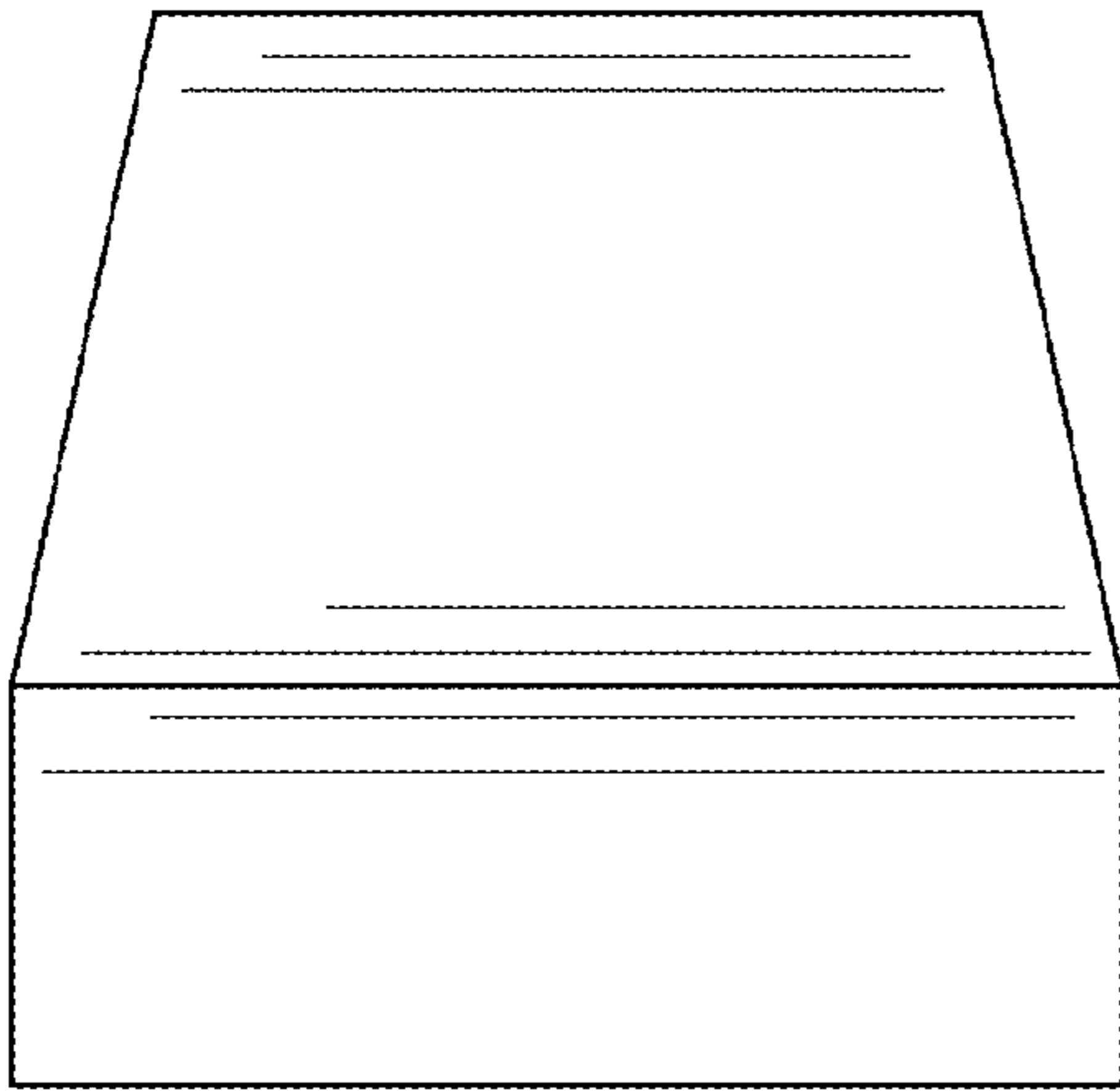


FIG. 3

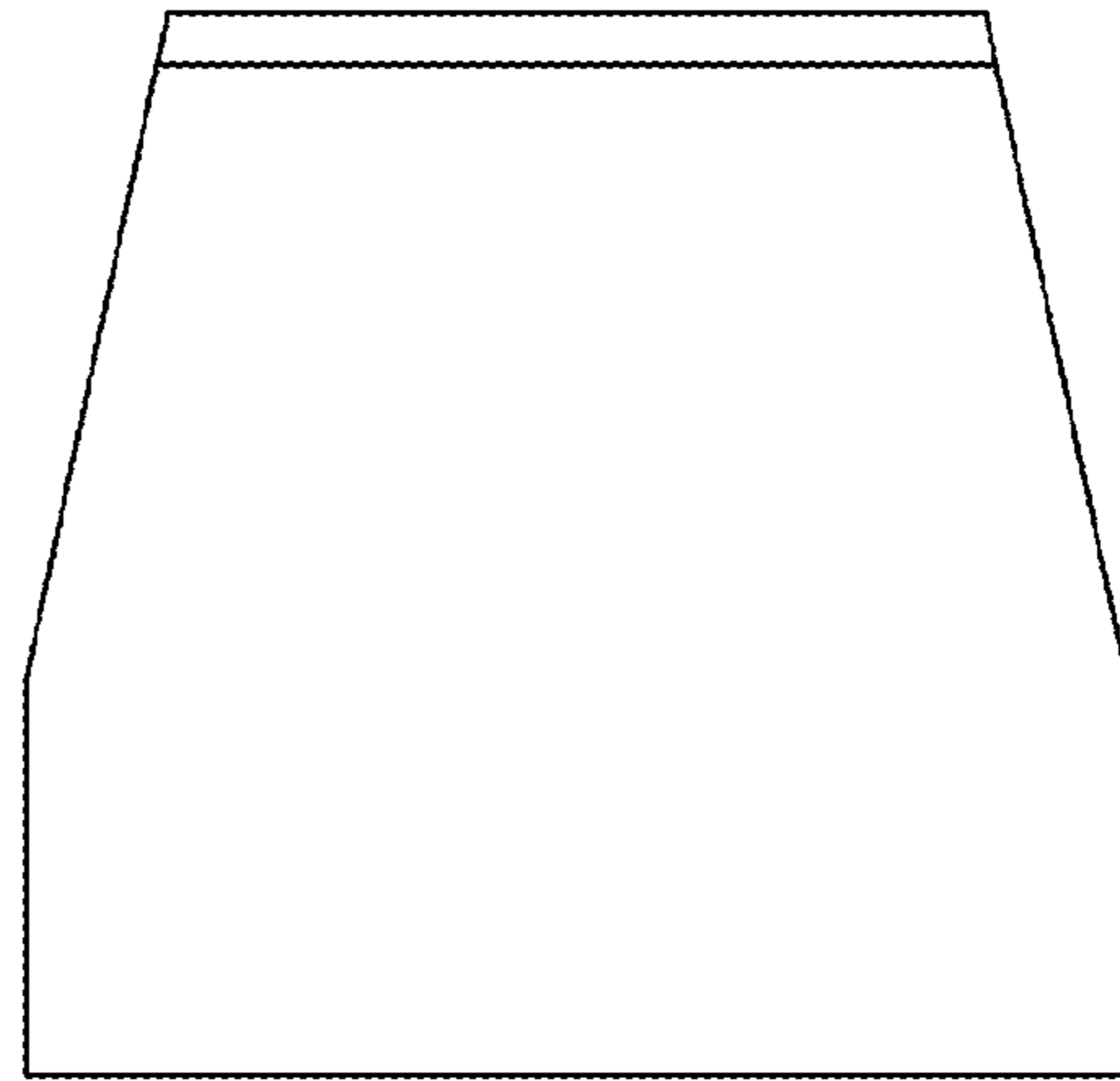


FIG. 4

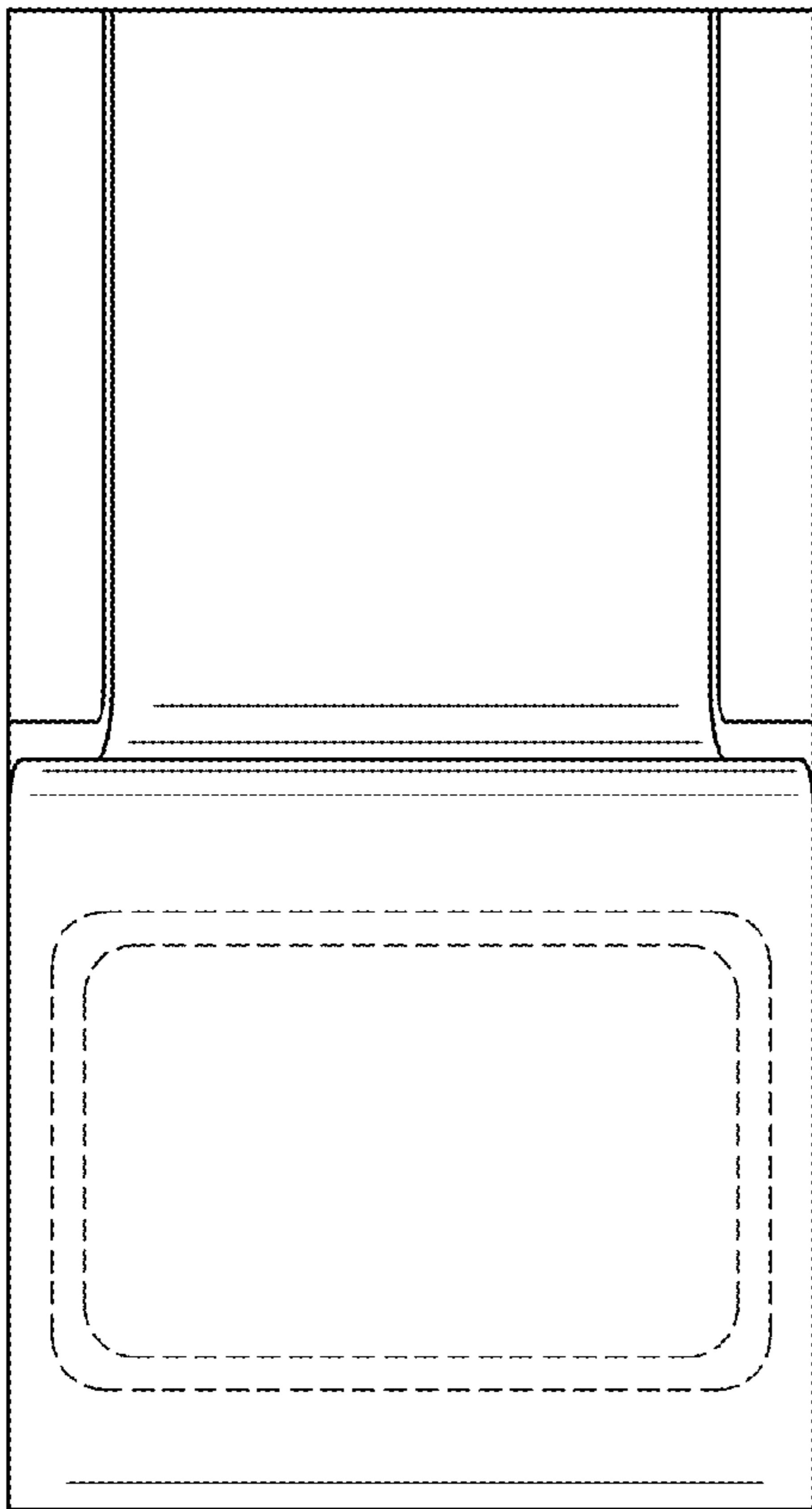


FIG. 5

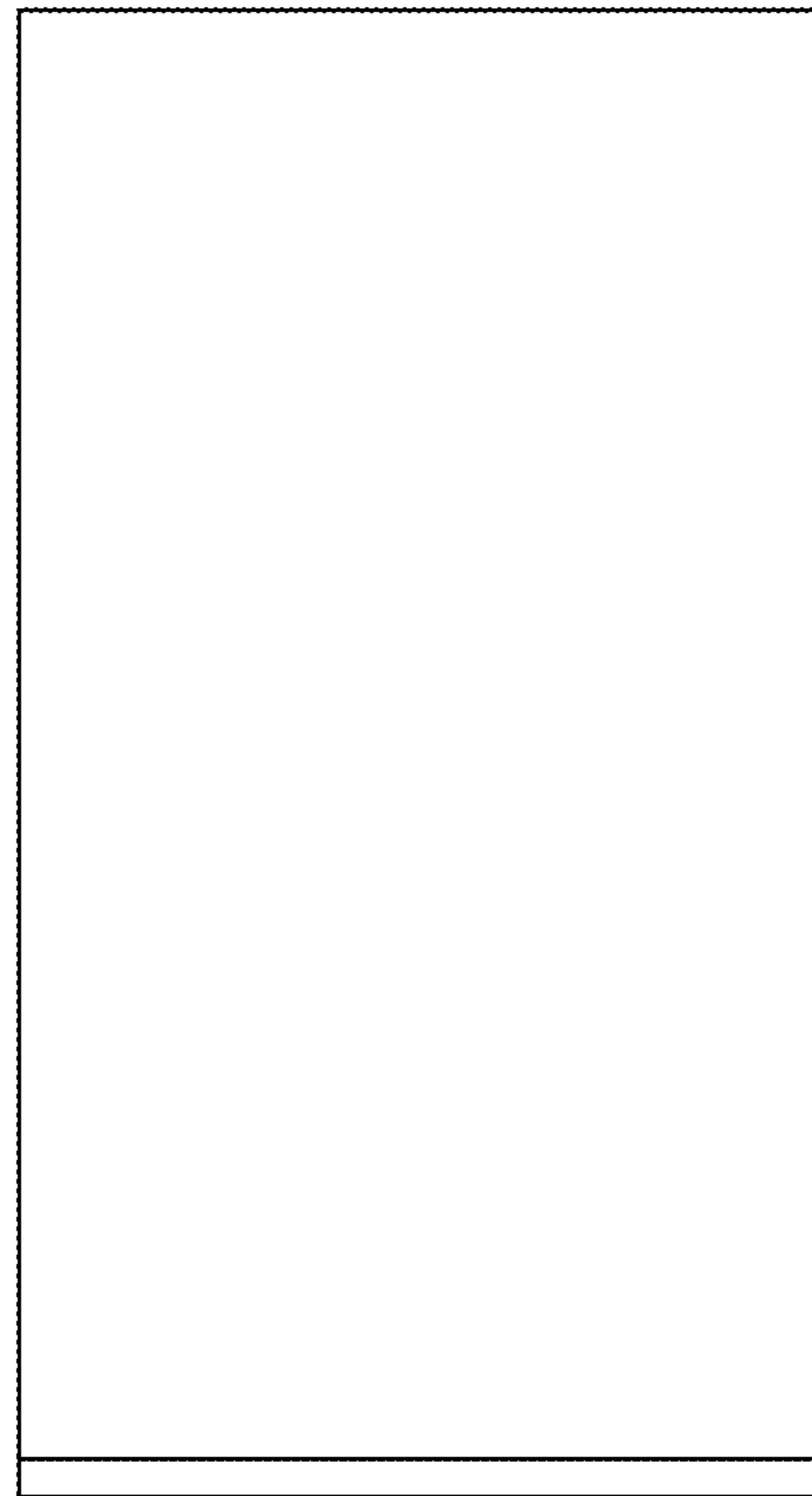


FIG. 6

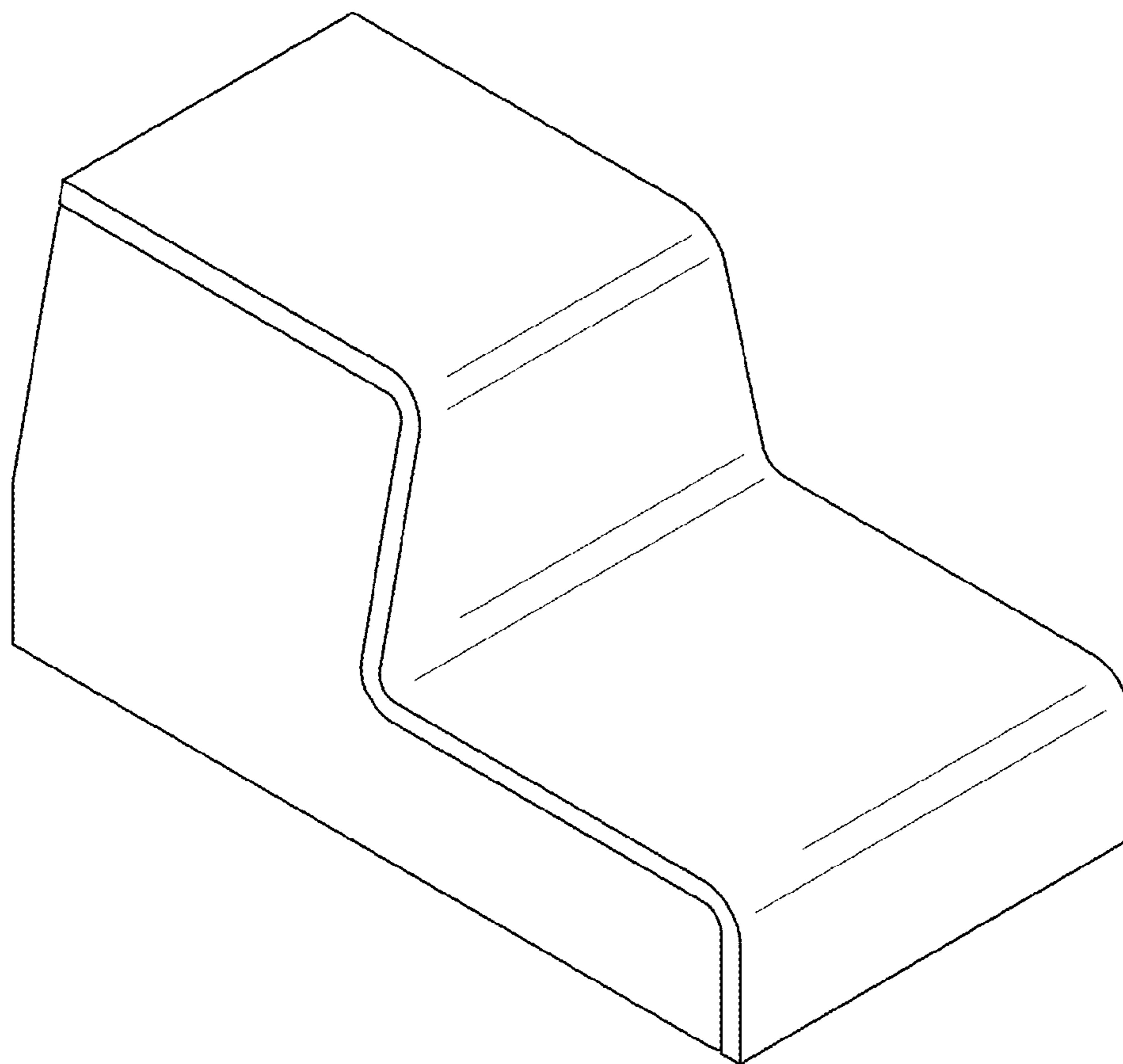


FIG. 7

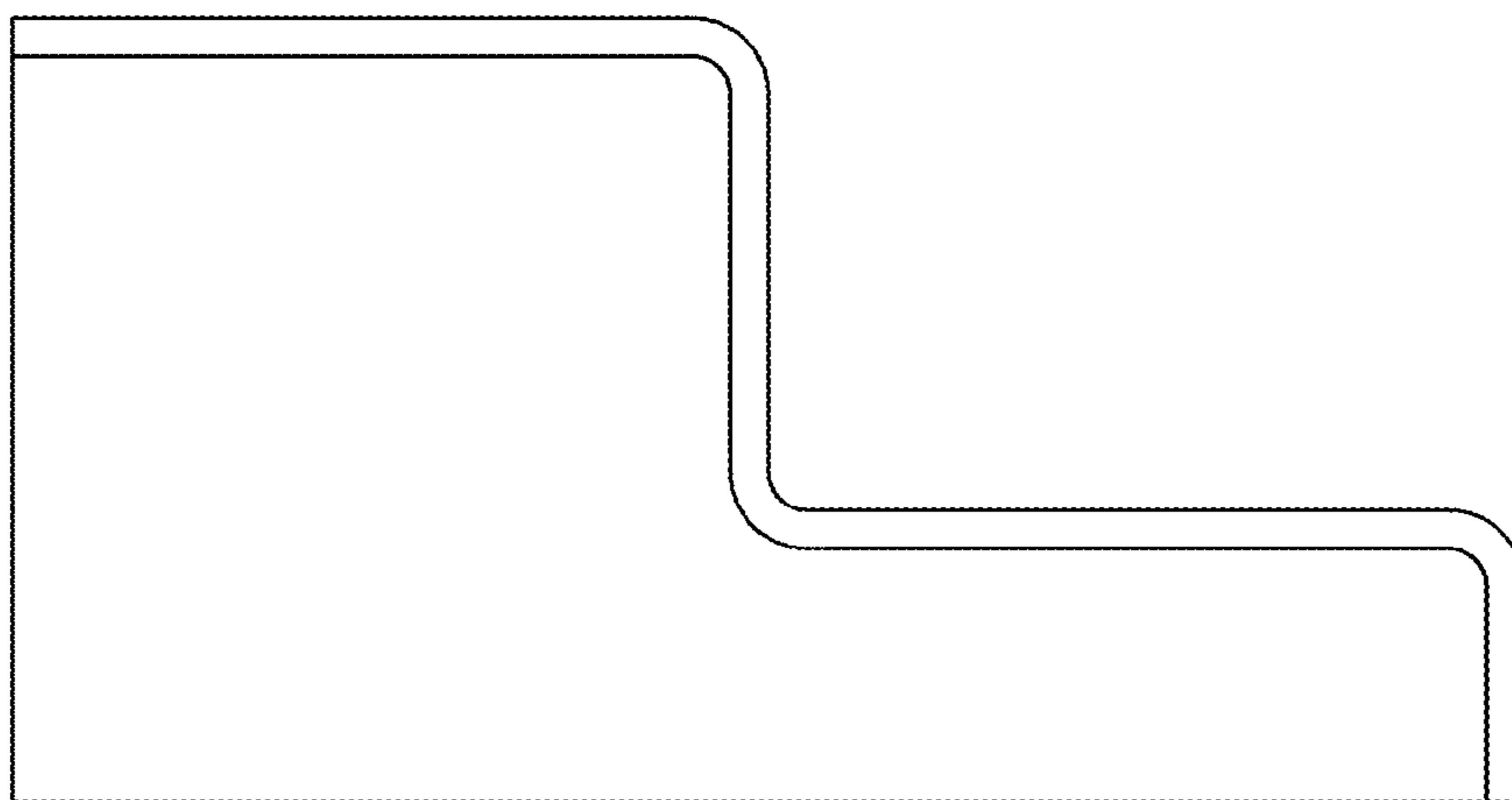


FIG. 8

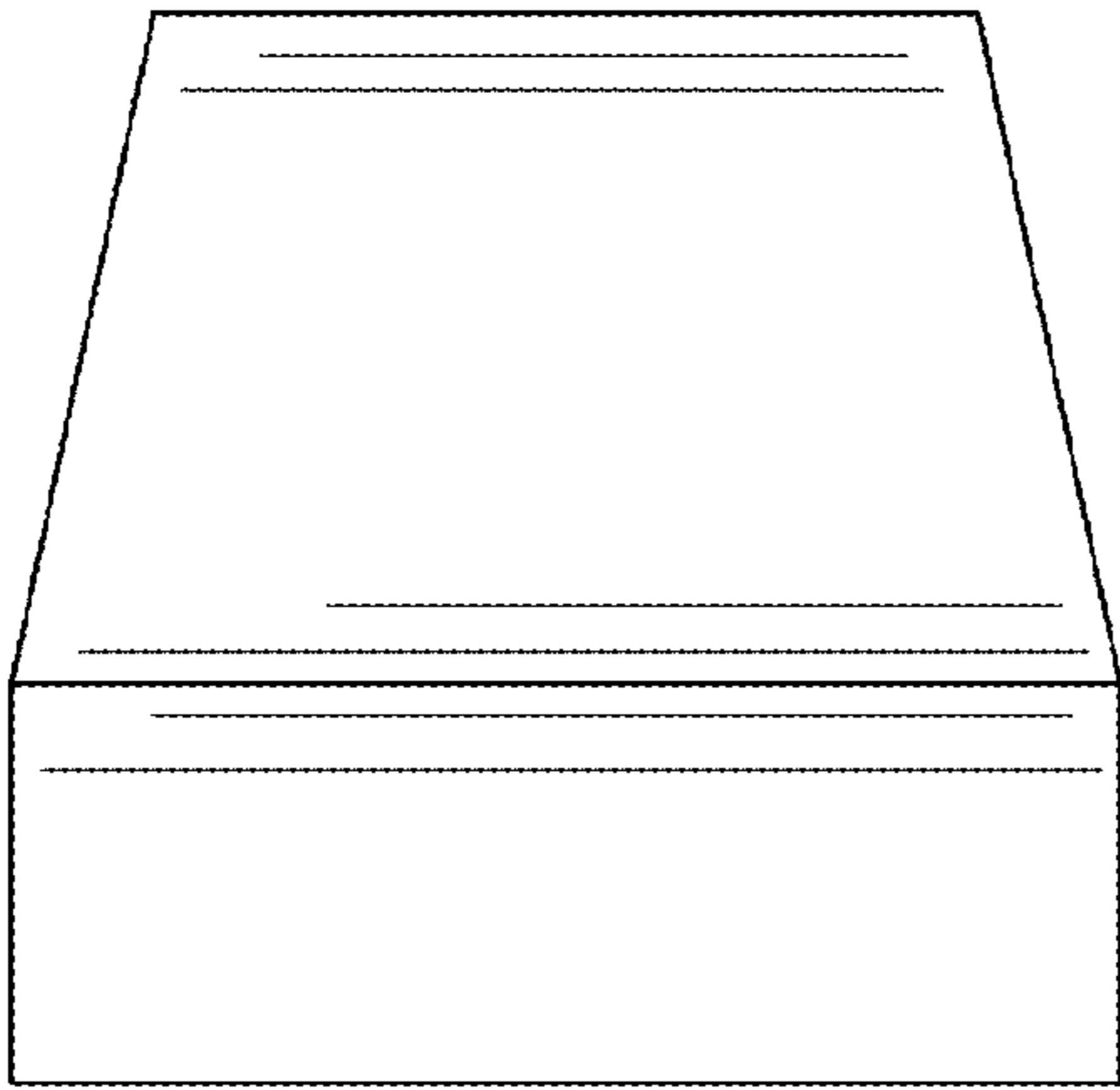


FIG. 9

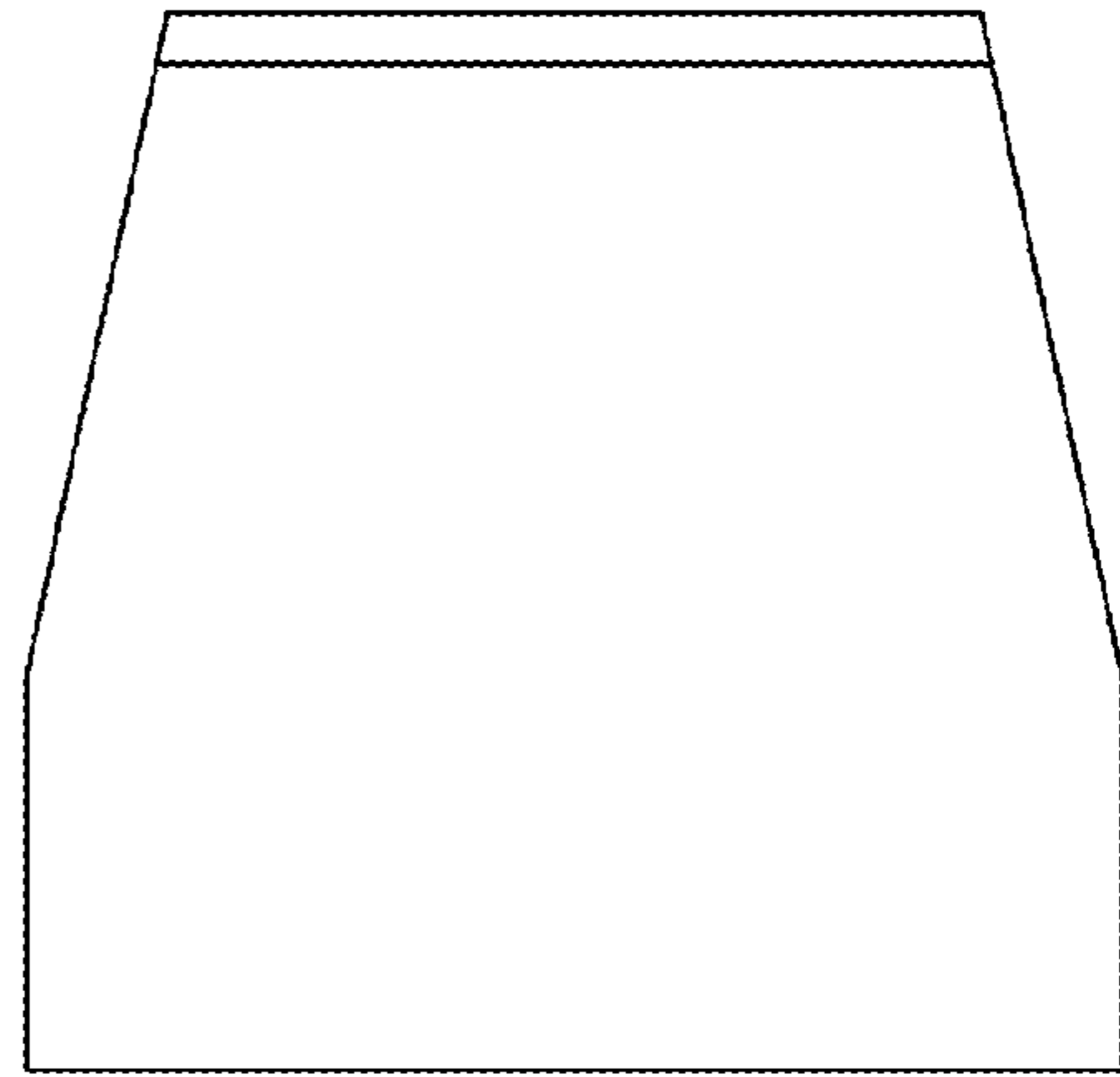


FIG. 10

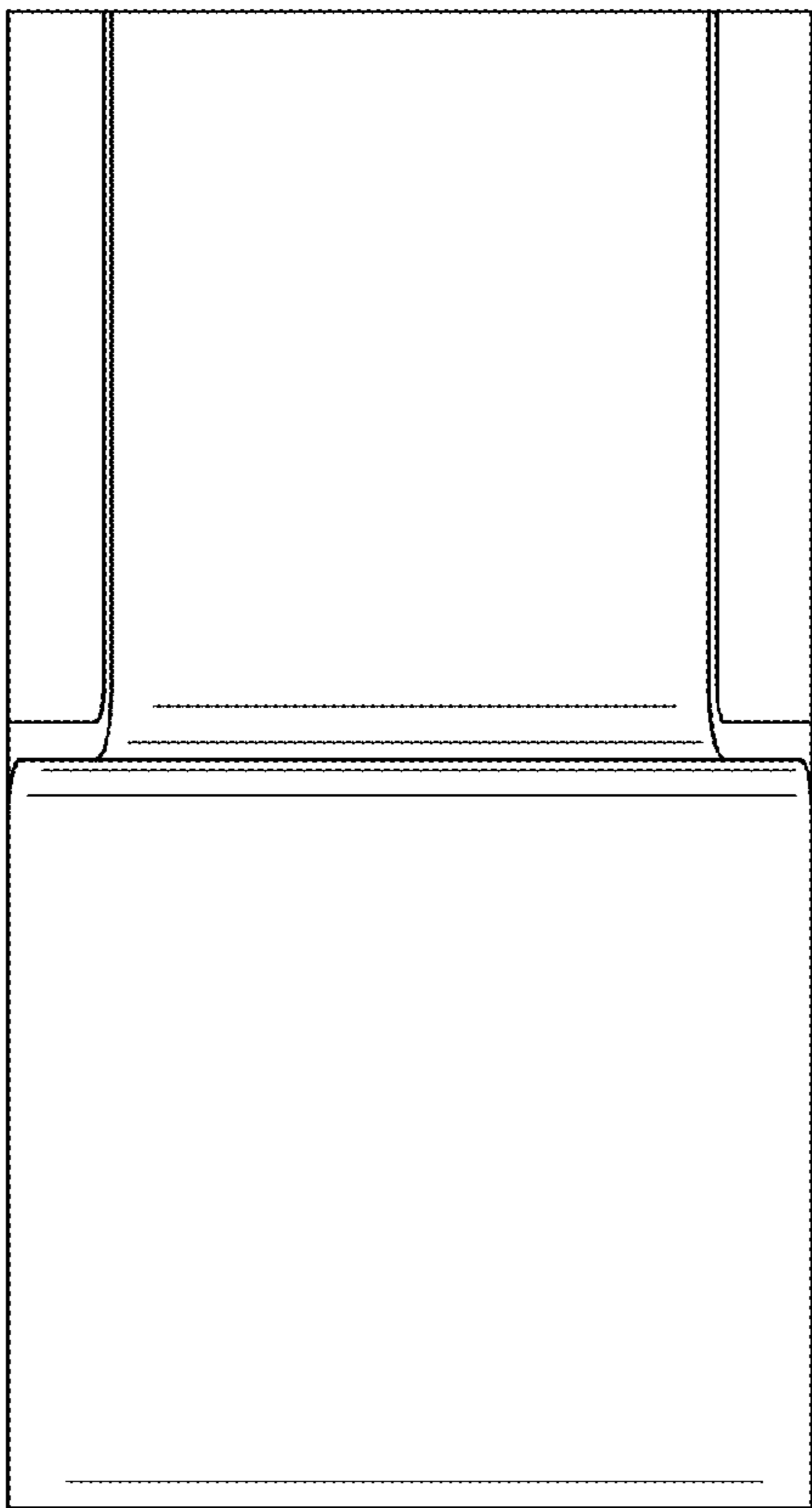


FIG. 11

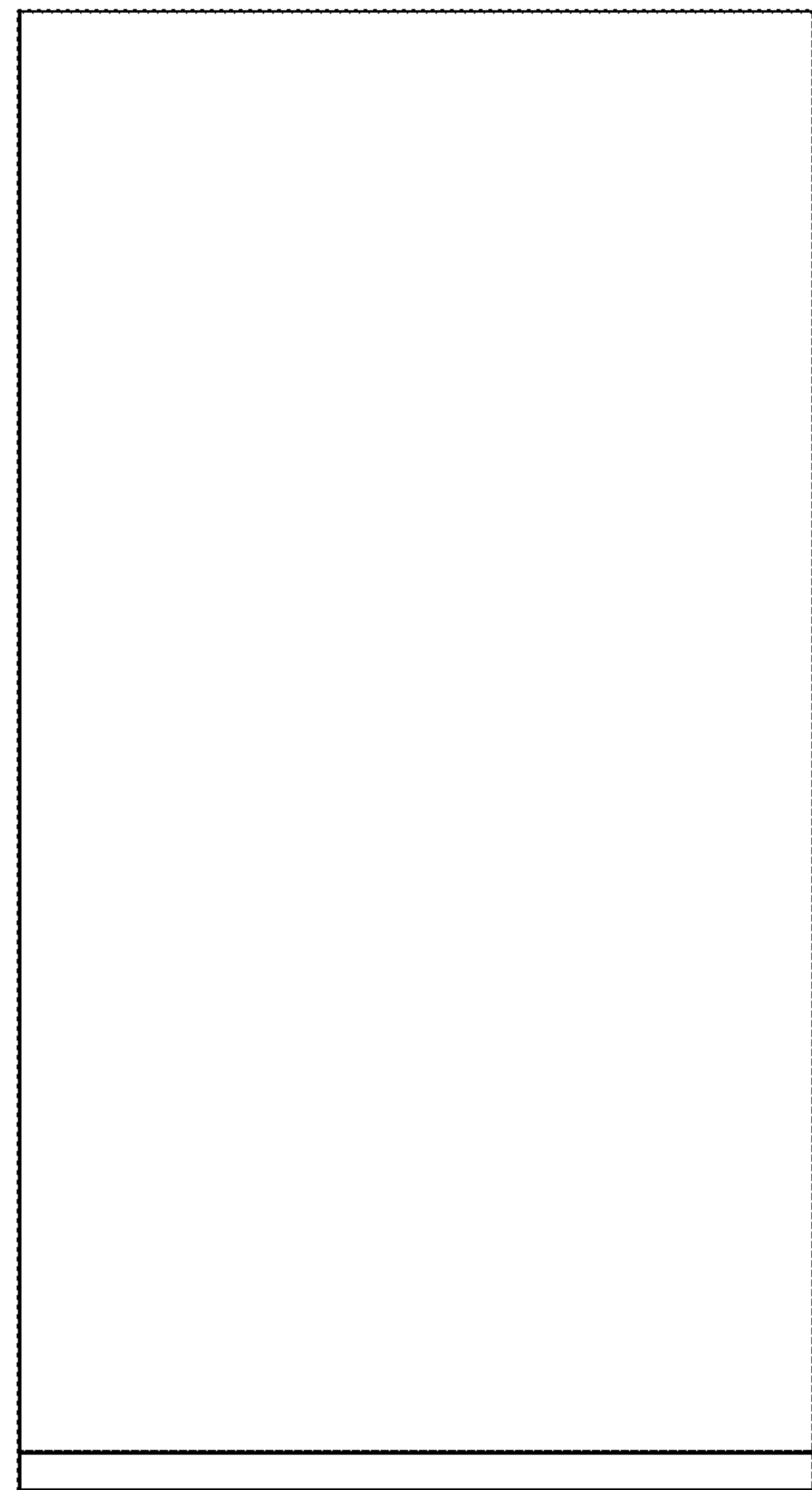


FIG. 12