



US00D707477S

(12) **United States Design Patent**
Minino et al.

(10) **Patent No.:** **US D707,477 S**
(45) **Date of Patent:** **** Jun. 24, 2014**

(54) **CHAIR**

(71) Applicant: **HNI Technologies, Inc.**, Muscatine, IA (US)

(72) Inventors: **Phillip David Minino**, Muscatine, IA (US); **John R. Koch**, Muscatine, IA (US); **Marcus Curtis Koepke**, Indianapolis, IN (US); **Corey John Susie**, West Des Moines, IA (US); **Martin Calvin Koepke**, Cincinnati, OH (US)

(73) Assignee: **HNI Technologies, Inc.**, Muscatine, IA (US)

(**) Term: **14 Years**

(21) Appl. No.: **29/449,869**

(22) Filed: **Mar. 15, 2013**

Related U.S. Application Data

(63) Continuation-in-part of application No. 13/597,966, filed on Aug. 29, 2012.

(51) **LOC (10) Cl.** **06-01**

(52) **U.S. Cl.**
USPC **D6/716**

(58) **Field of Classification Search**
USPC D6/334-336, 364, 365, 366, 367, 374, D6/376, 379, 380, 716, 716.1, 716.2, D6/716.3, 716.4, 716.7; 297/239, 300.1, 297/354.1, 452.18, 452.21, 452.29, 452.65, 297/301.1

See application file for complete search history.

(56) **References Cited**

U.S. PATENT DOCUMENTS

809,944 A 1/1906 Hanger
2,807,310 A 9/1957 Sellner

2,921,622 A 1/1960 Henrickson et al.
3,111,344 A * 11/1963 Hoven et al. 297/452.65
3,393,941 A 7/1968 Grossfillex
3,934,932 A 1/1976 Ekornes
4,046,422 A 9/1977 Ambasz
4,084,850 A 4/1978 Ambasz
4,157,203 A 6/1979 Ambasz
4,379,589 A 4/1983 Marino
4,585,272 A 4/1986 Ballarini

(Continued)

FOREIGN PATENT DOCUMENTS

EP 0196819 A2 10/1986
EP 0309368 A1 3/1989

(Continued)

OTHER PUBLICATIONS

International Search Report and Written Opinion issued in PCT/US2013/056918, mailed Dec. 2, 2013, 18 pages.

(Continued)

Primary Examiner — Mimoso De

(74) *Attorney, Agent, or Firm* — Faegre Baker Daniels LLP

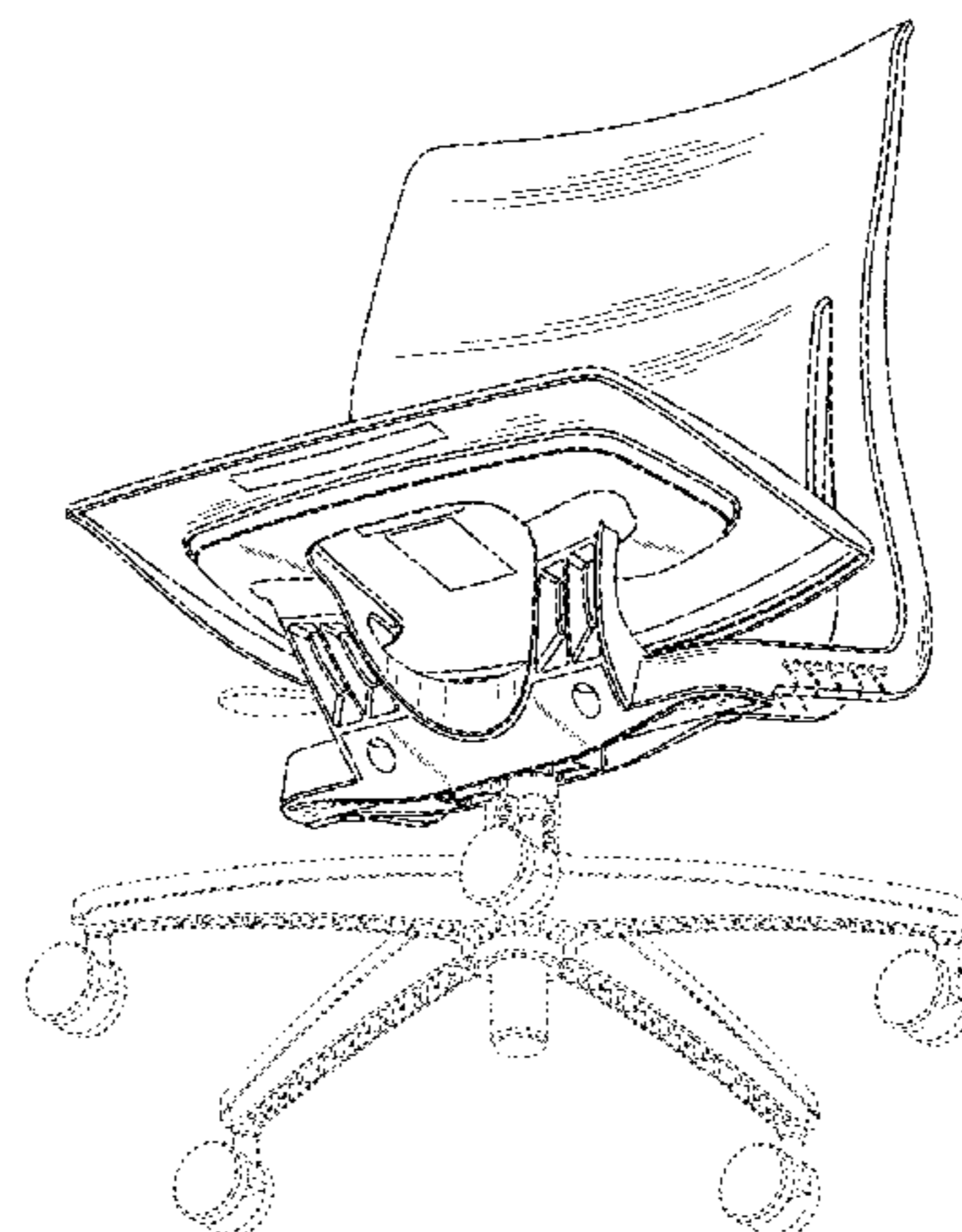
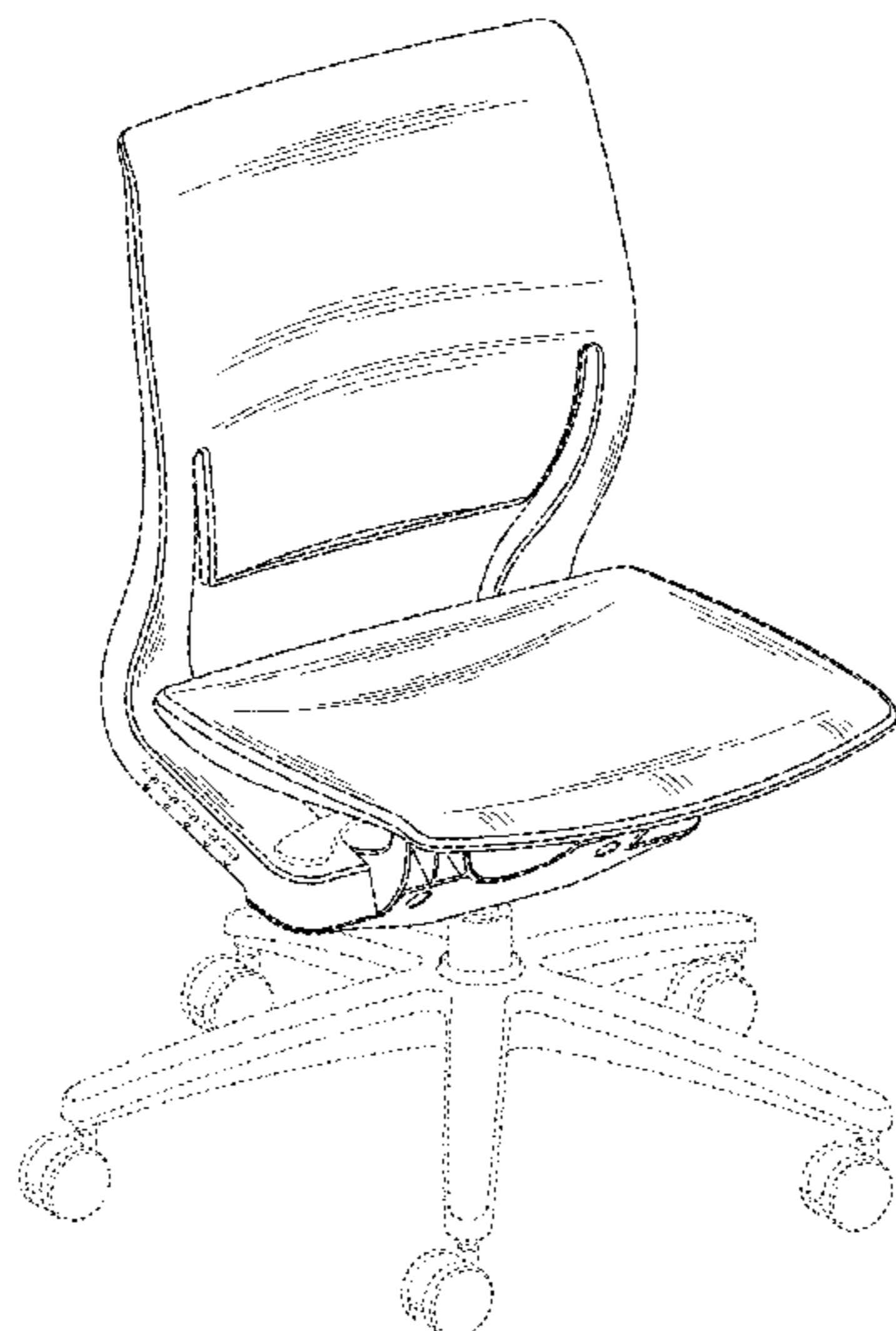
(57) **CLAIM**

The ornamental design for a chair, as shown and described.

DESCRIPTION

FIG. 1 is top, perspective view of a chair;
FIG. 2 is a bottom perspective view thereof;
FIG. 3 is a front view thereof;
FIG. 4 is a back view thereof;
FIG. 5 is a right side view thereof;
FIG. 6 is a left side view thereof;
FIG. 7 is a top view thereof; and,
FIG. 8 is a bottom view thereof.
The broken lines are for illustrative purposes only and form no part of the claimed design.

1 Claim, 8 Drawing Sheets



(56)

References Cited

U.S. PATENT DOCUMENTS

D289,120 S * 4/1987 Chadwick et al. D6/716
 4,709,962 A 12/1987 Steinmann
 4,733,910 A 3/1988 Brennan
 D296,394 S * 6/1988 Chadwick et al. D6/366
 D299,192 S * 1/1989 Chadwick et al. D6/380
 4,856,846 A 8/1989 Lohmeyer
 4,880,273 A 11/1989 Markus
 4,913,493 A 4/1990 Heidmann
 4,979,778 A 12/1990 Shields
 4,981,326 A 1/1991 Heidmann
 4,984,846 A 1/1991 Ekornes
 5,076,646 A 12/1991 Matte
 5,102,196 A 4/1992 Kaneda et al.
 5,244,252 A 9/1993 Serber
 5,251,958 A 10/1993 Roericht et al.
 5,303,978 A 4/1994 Murrey
 5,314,237 A 5/1994 Koepke et al.
 5,338,094 A 8/1994 Perry
 5,340,197 A 8/1994 Vogtherr
 5,383,712 A 1/1995 Perry
 5,486,035 A 1/1996 Koepke et al.
 5,522,182 A 6/1996 Rogers
 5,558,399 A 9/1996 Serber
 5,597,203 A 1/1997 Hubbard
 5,599,069 A 2/1997 Lorbiecki
 5,611,598 A 3/1997 Knoblock
 5,660,439 A 8/1997 Unwalla
 5,725,277 A 3/1998 Knoblock
 5,735,574 A 4/1998 Serber
 5,782,536 A * 7/1998 Heidmann et al. 297/301.1
 5,785,384 A 7/1998 Sagstuen
 5,806,930 A 9/1998 Knoblock
 5,810,438 A 9/1998 Newhouse
 5,909,923 A 6/1999 DeKraker
 5,957,534 A 9/1999 Wilkerson et al.
 5,979,984 A 11/1999 DeKraker et al.
 6,056,361 A 5/2000 Cvek
 6,070,937 A 6/2000 Ginat
 6,109,696 A 8/2000 Newhouse et al.
 6,257,665 B1 7/2001 Nagamitsu et al.
 6,435,615 B1 8/2002 Zapf
 6,533,352 B1 3/2003 Glass et al.
 6,554,360 B1 4/2003 Wilke et al.
 6,641,214 B2 11/2003 Veneruso

6,722,735 B2 4/2004 Lucci et al.
 6,739,663 B2 5/2004 Gevaert
 6,739,665 B1 5/2004 Leib et al.
 6,779,846 B2 8/2004 Spendlove et al.
 6,786,548 B2 9/2004 Pearce et al.
 6,923,503 B2 8/2005 Sangiorgio
 6,935,690 B2 8/2005 Lucci et al.
 6,986,549 B2 1/2006 Kniese
 7,004,543 B2 2/2006 Caruso et al.
 7,073,860 B2 7/2006 Markus
 7,073,864 B2 7/2006 Olsen
 7,114,777 B2 10/2006 Knoblock et al.
 7,114,782 B2 10/2006 Ambasz
 7,118,177 B2 10/2006 Piretti
 7,234,774 B2 6/2007 Heidmann et al.
 7,334,842 B1 2/2008 Wu
 7,360,835 B2 4/2008 Tubergen et al.
 7,472,962 B2 1/2009 Caruso et al.
 D587,915 S * 3/2009 Igarashi D6/366
 D599,125 S * 9/2009 Piretti D6/366
 7,611,202 B2 11/2009 Johnson et al.
 7,621,600 B2 11/2009 Buchbinder
 7,686,395 B2 3/2010 Piretti
 7,695,067 B2 4/2010 Goetz et al.
 D661,004 S * 6/2010 DeSanta et al. D6/366
 D661,504 S * 6/2012 Saotome D6/366
 2005/0161990 A1 * 7/2005 Piretti 297/354.1
 2007/0063563 A1 3/2007 Maze et al.
 2008/0272636 A1 11/2008 Machael et al.
 2009/0102268 A1 4/2009 Schmitz et al.
 2009/0195040 A1 8/2009 Birkbeck
 2009/0261644 A1 10/2009 Piretti
 2012/0274111 A1 * 11/2012 Piretti 297/301.1
 2014/0062154 A1 3/2014 Minino et al.

FOREIGN PATENT DOCUMENTS

EP 2110051 A1 10/2009
 JP 07155232 A 6/1995
 WO W02009039231 A2 3/2009

OTHER PUBLICATIONS

Partial International Search Report issued in PCT/US2013/056918,
 mailed Oct. 10, 2013, 5 pages.

* cited by examiner

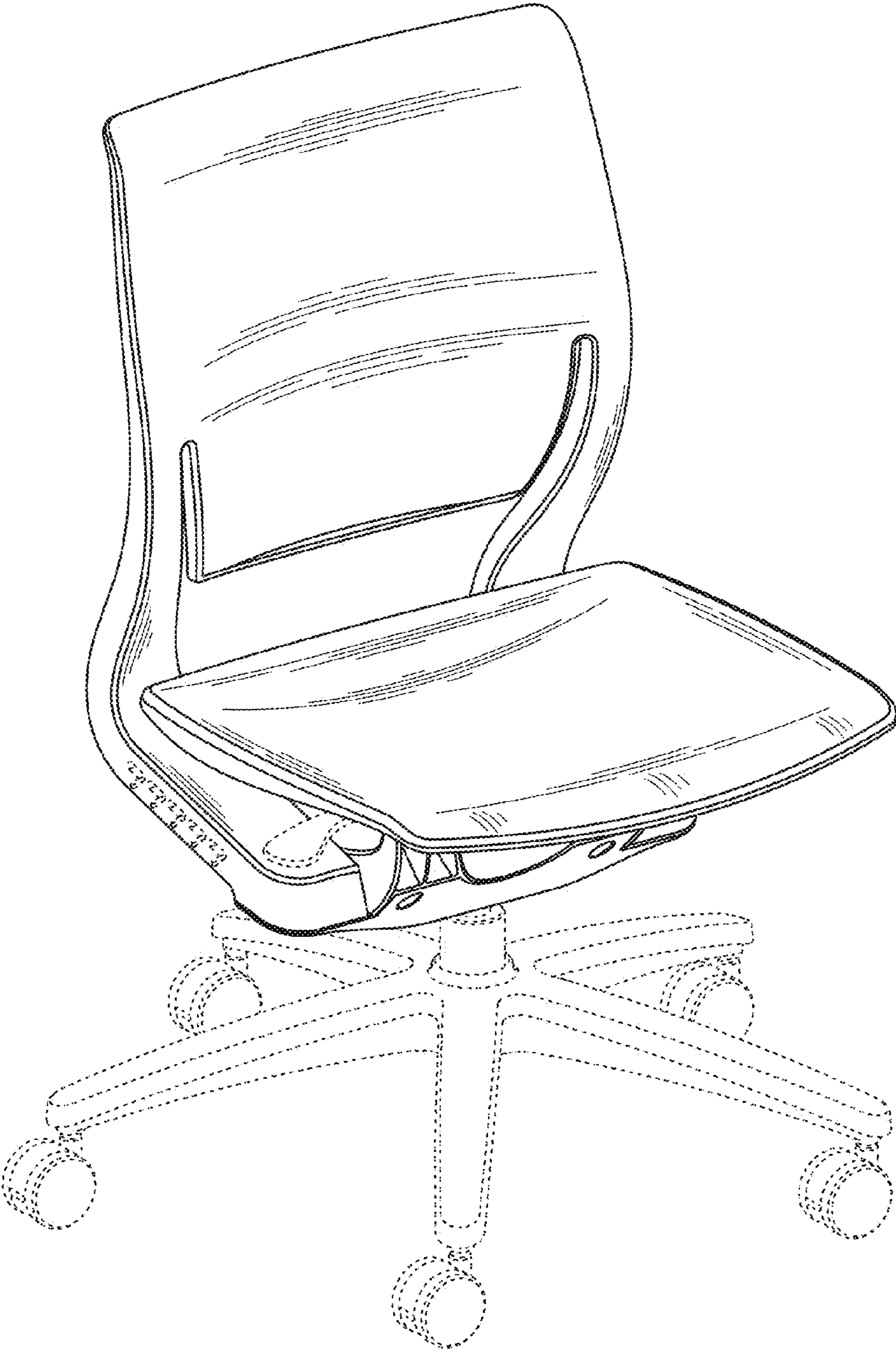


FIG. 1

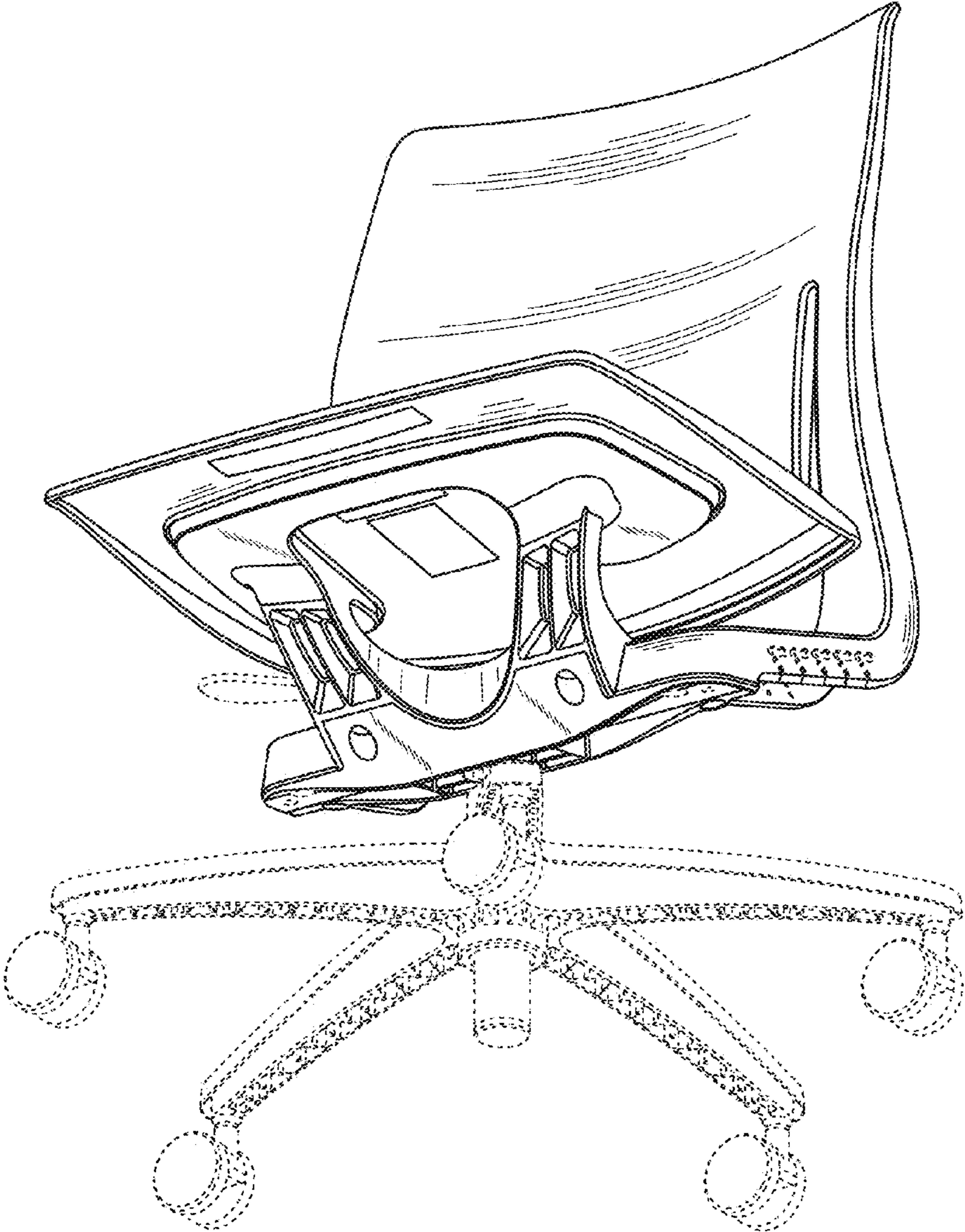


FIG. 2

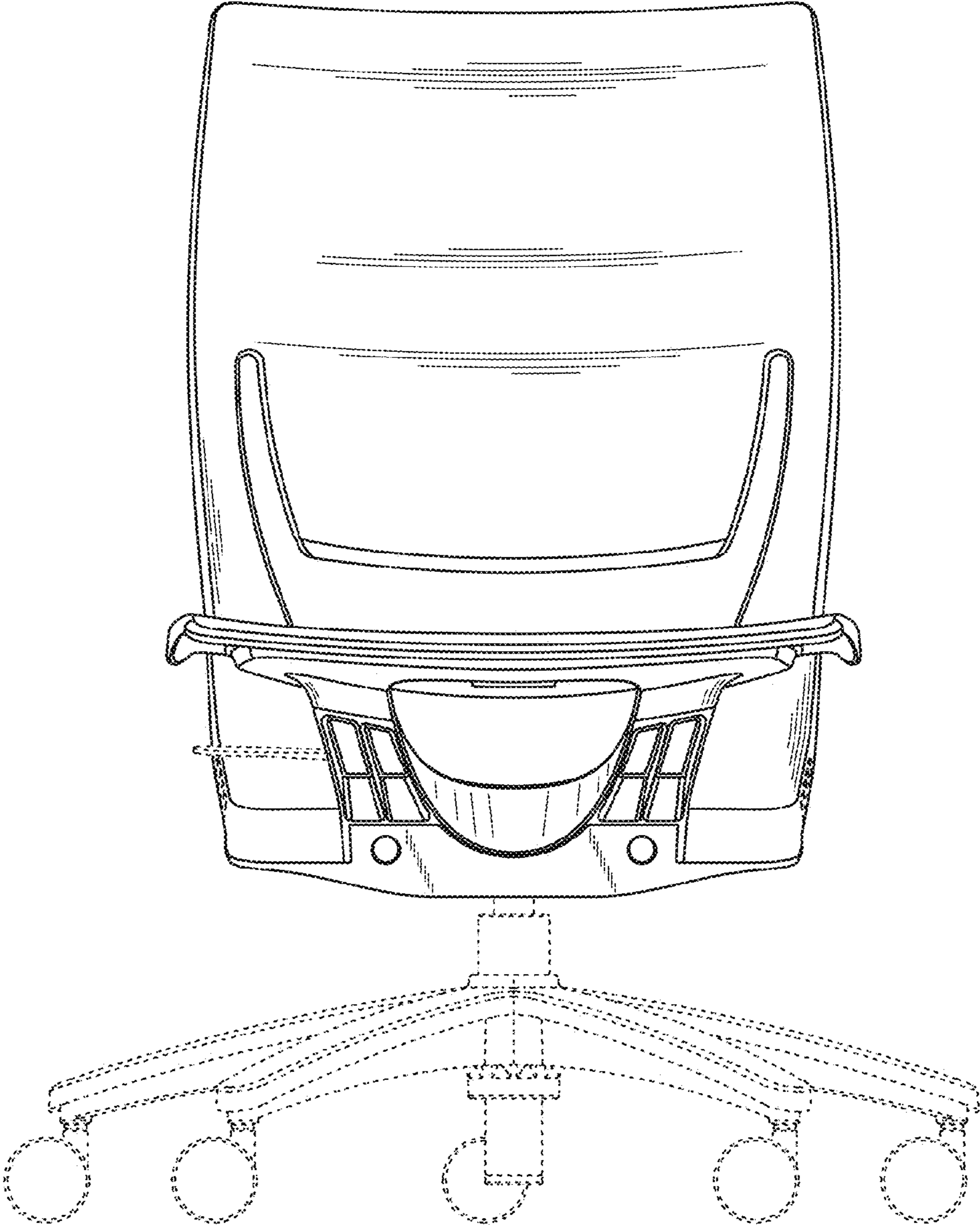


FIG. 3

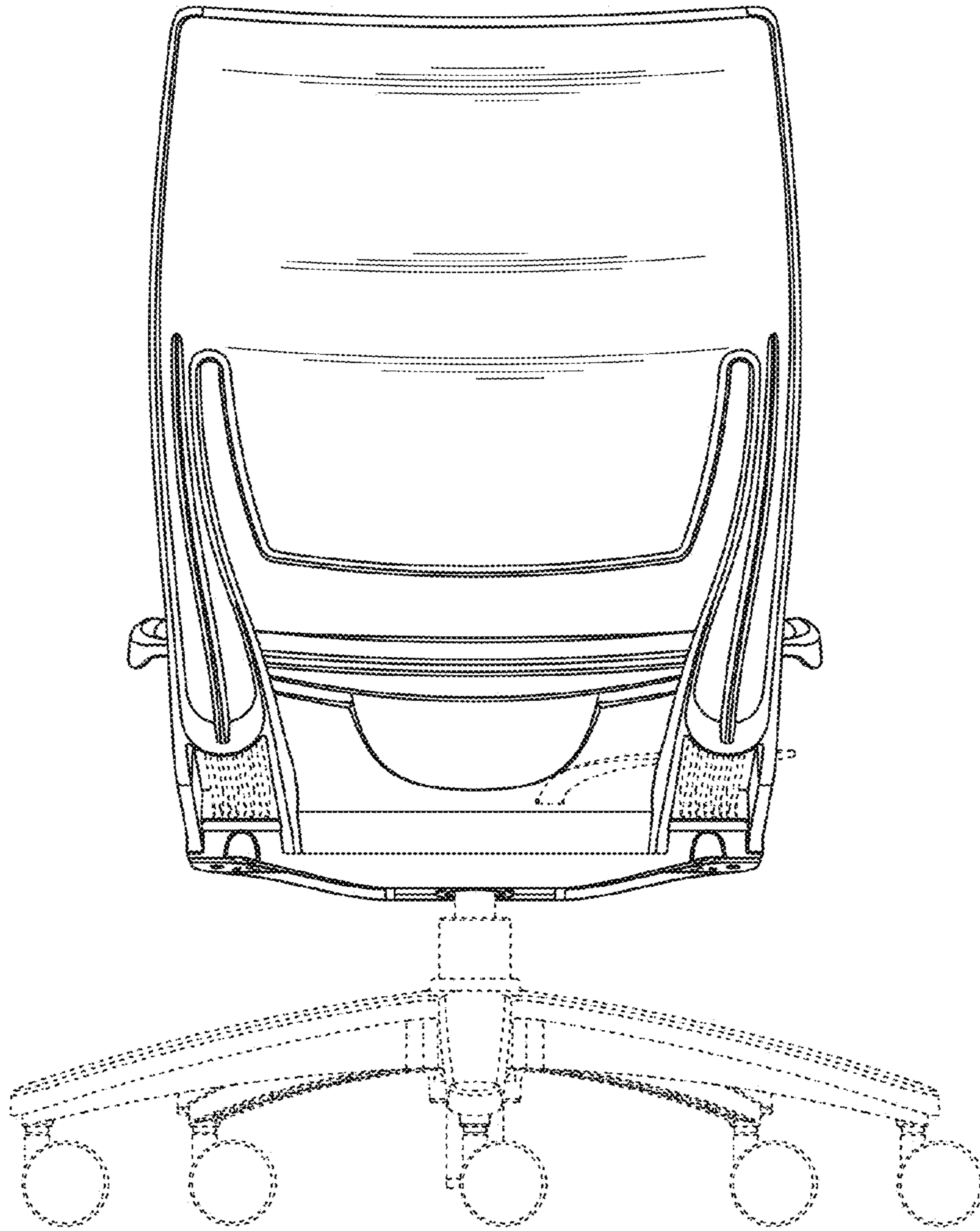


FIG. 4

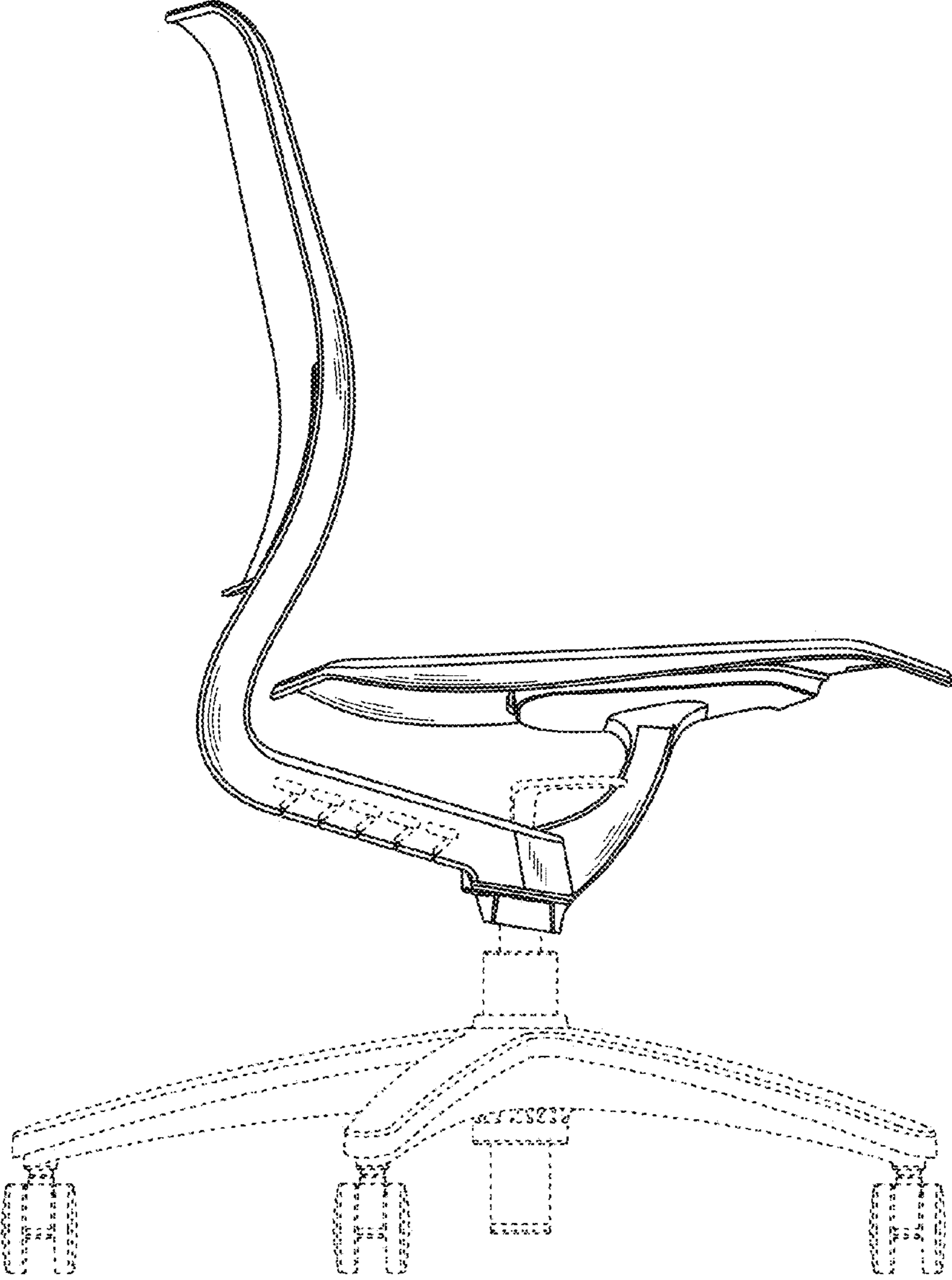


FIG. 5

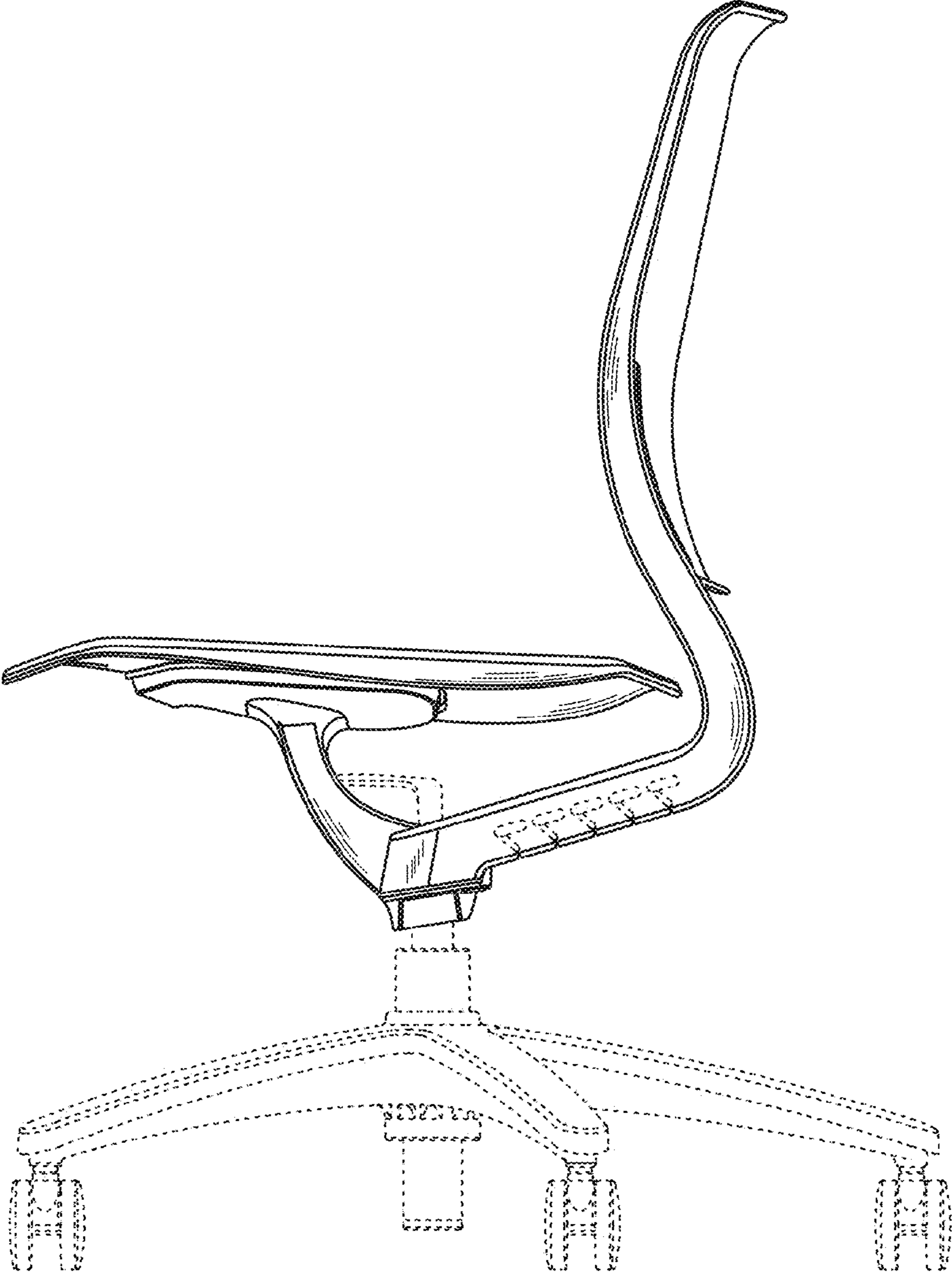


FIG. 6

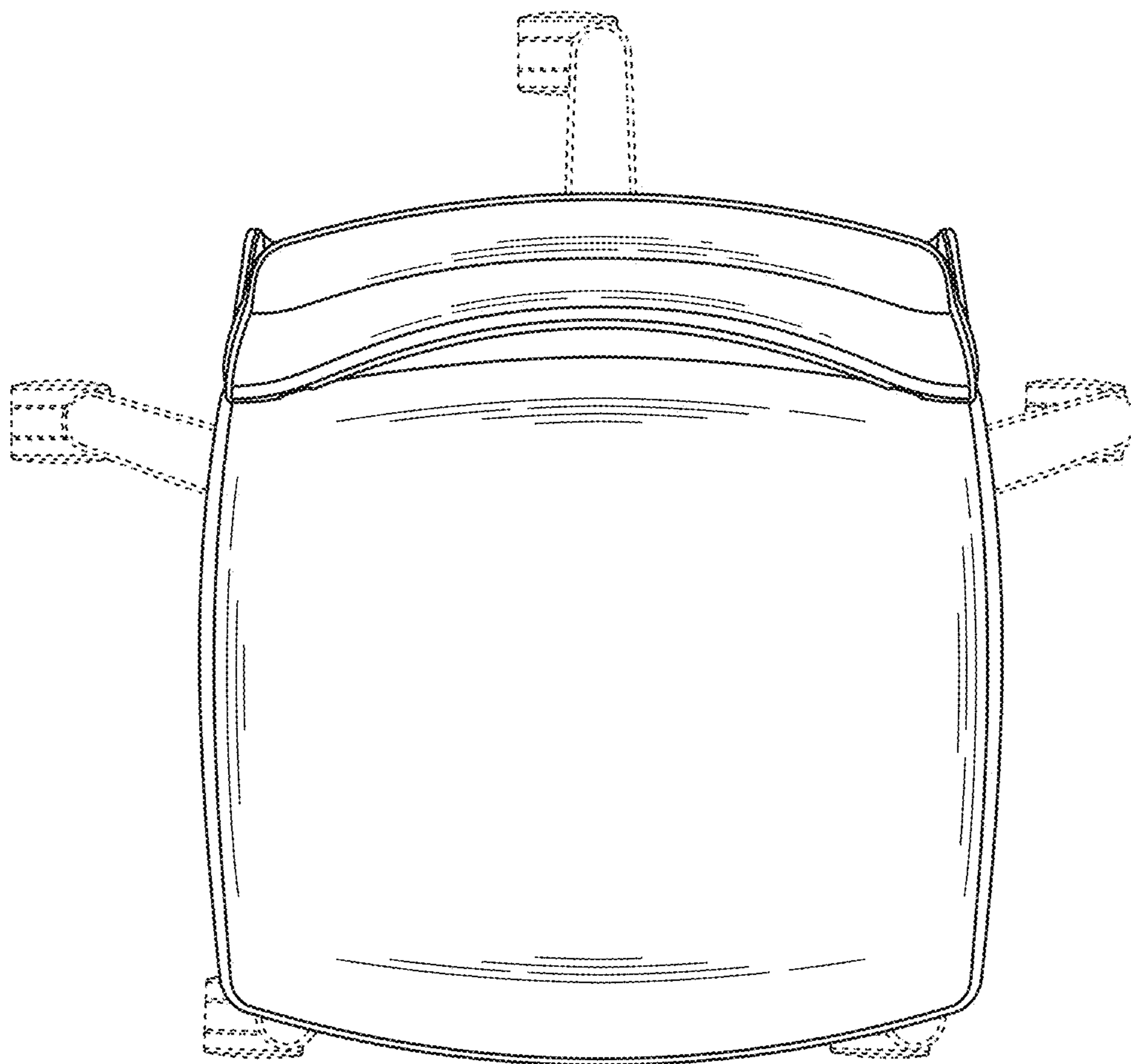


FIG. 7

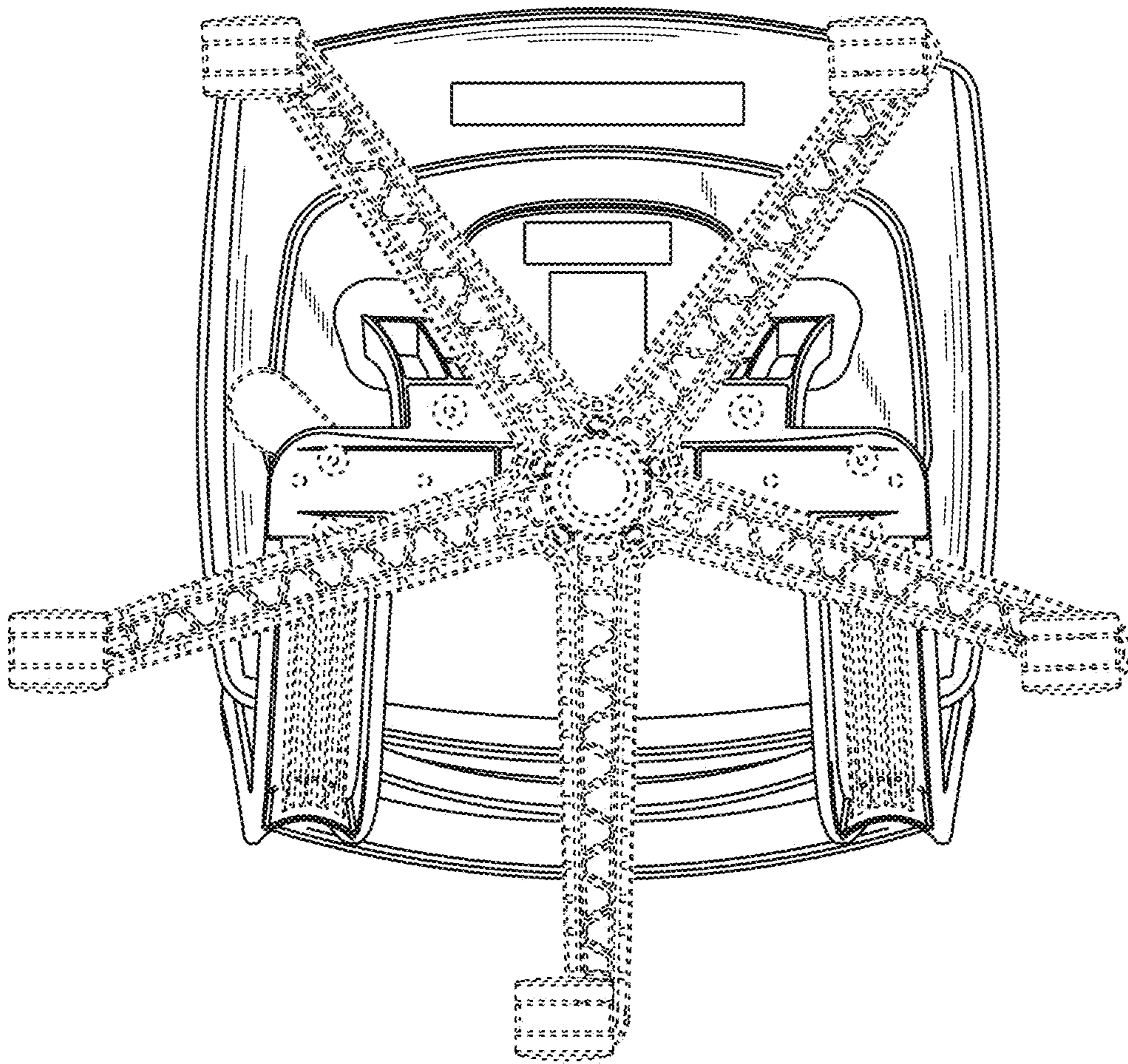


FIG. 8