



US00D707474S

(12) **United States Design Patent**  
**Tsai**

(10) **Patent No.:** **US D707,474 S**  
(45) **Date of Patent:** **\*\* Jun. 24, 2014**

(54) **ORGANIZER RACK**

(56) **References Cited**

(71) Applicant: **Dongguan Master United Plastic & Hardware Products Co., Ltd.,**  
Dongguan (CN)

(72) Inventor: **Tsung-Yu Tsai,** Changhua (TW)

(73) Assignee: **Dongguan Master United Plastic & Hardware Products Co., Ltd.,**  
Dongguan, Guandong Province (CN)

(\*\*) Term: **14 Years**

(21) Appl. No.: **29/483,231**

(22) Filed: **Feb. 26, 2014**

(51) **LOC (10) Cl.** ..... **06-06**

(52) **U.S. Cl.**  
USPC ..... **D6/678.4**

(58) **Field of Classification Search**  
USPC ..... D6/396, 410–411, 458, 462–465, 466,  
D6/475–476, 678, 678.2, 678.4; 211/41.4,  
211/42, 49.1, 90.03, 106, 181.1; 312/9.1,  
312/9.47, 9.48, 9.52, 9.53, 9.55

See application file for complete search history.

U.S. PATENT DOCUMENTS

D192,378 S *	3/1962	Combs .....	D6/408
D211,918 S *	8/1968	Wilder et al. ....	D6/408
D331,680 S *	12/1992	Glassenberg .....	D6/566
D446,968 S *	8/2001	Spencer .....	D6/509
D544,250 S *	6/2007	Daugherty et al. ....	D6/463
D544,251 S *	6/2007	Daugherty et al. ....	D6/463
D562,590 S *	2/2008	Colin et al. ....	D6/462
D633,978 S *	3/2011	Vande Noord .....	D22/108
D677,077 S *	3/2013	Selby .....	D6/678.4
D684,794 S *	6/2013	Fisher .....	D6/678.4
2002/0008074 A1 *	1/2002	Spencer .....	211/49.1

\* cited by examiner

*Primary Examiner* — Kelley Donnelly

(74) *Attorney, Agent, or Firm* — Muncy, Geissler, Olds & Lowe, P.C.

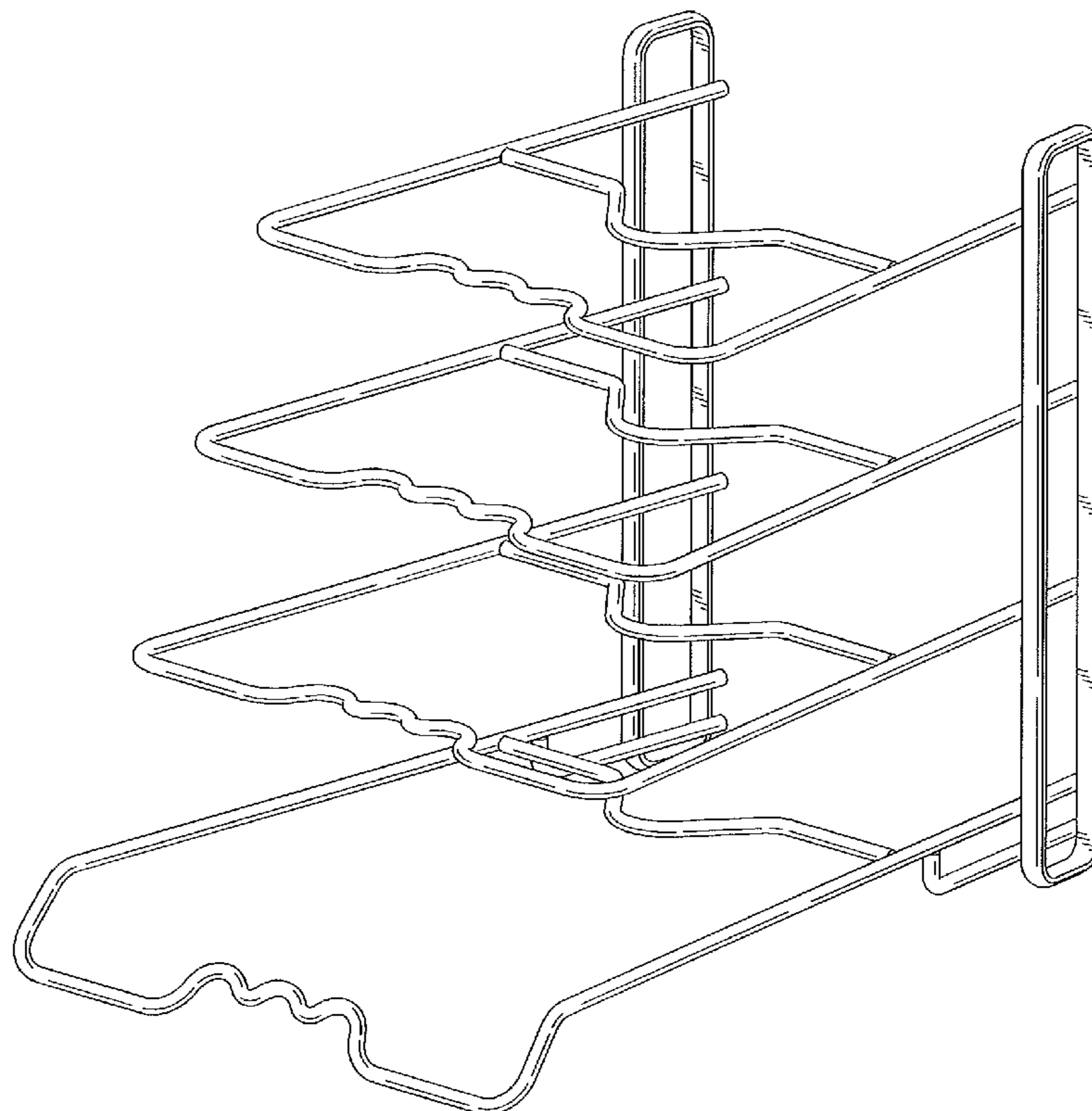
(57) **CLAIM**

The ornamental design for an organizer rack, as shown and described.

**DESCRIPTION**

FIG. 1 shows a perspective view of the present design.  
FIG. 2 shows a front view of the present design,  
FIG. 3 shows a rear view of the present design.  
FIG. 4 shows a left side view of the present design  
FIG. 5 shows a right side view of the present design.  
FIG. 6 shows a top view of the present design; and,  
FIG. 7 shows a bottom view of the present design.

**1 Claim, 7 Drawing Sheets**



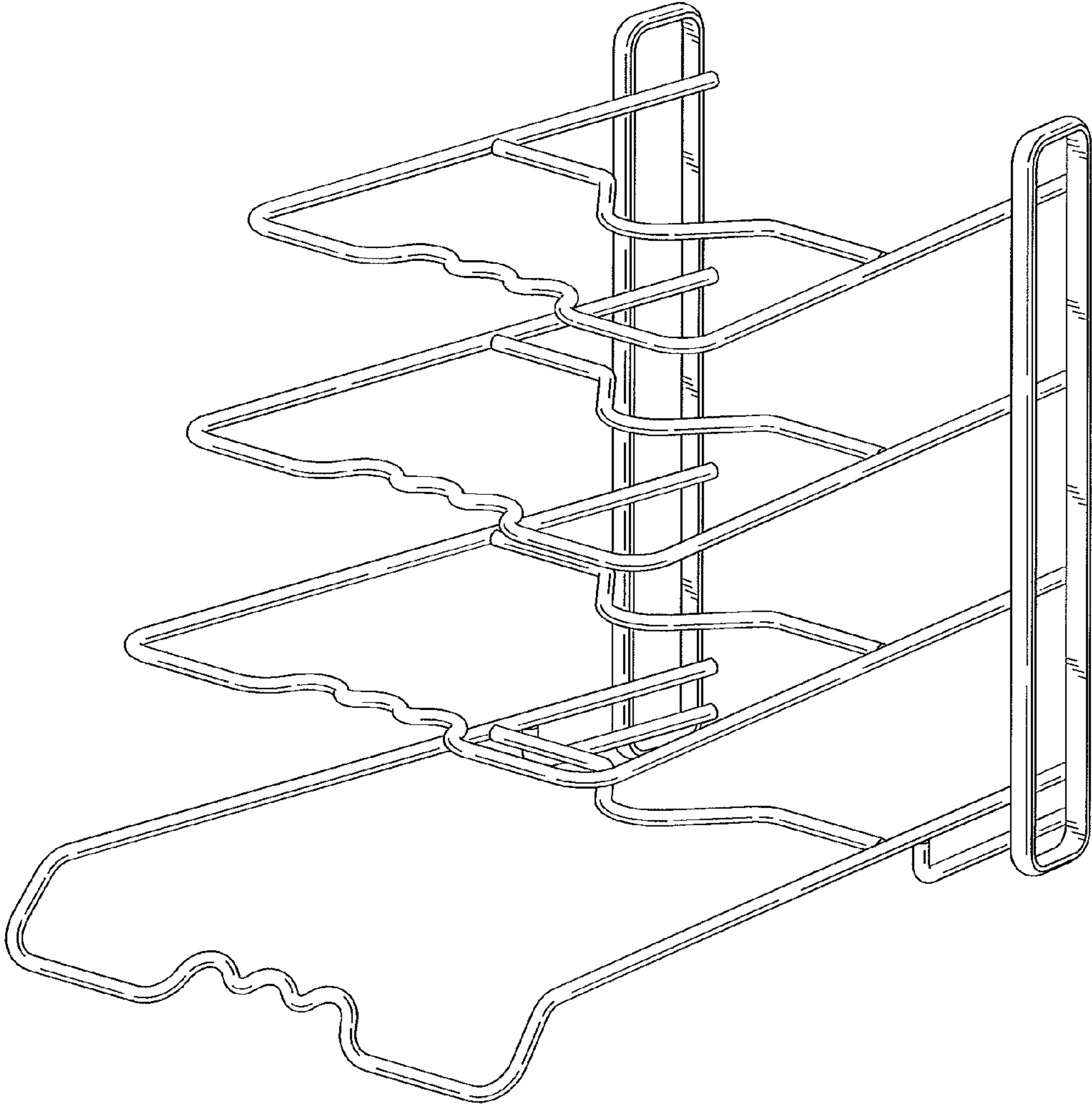


FIG. 1

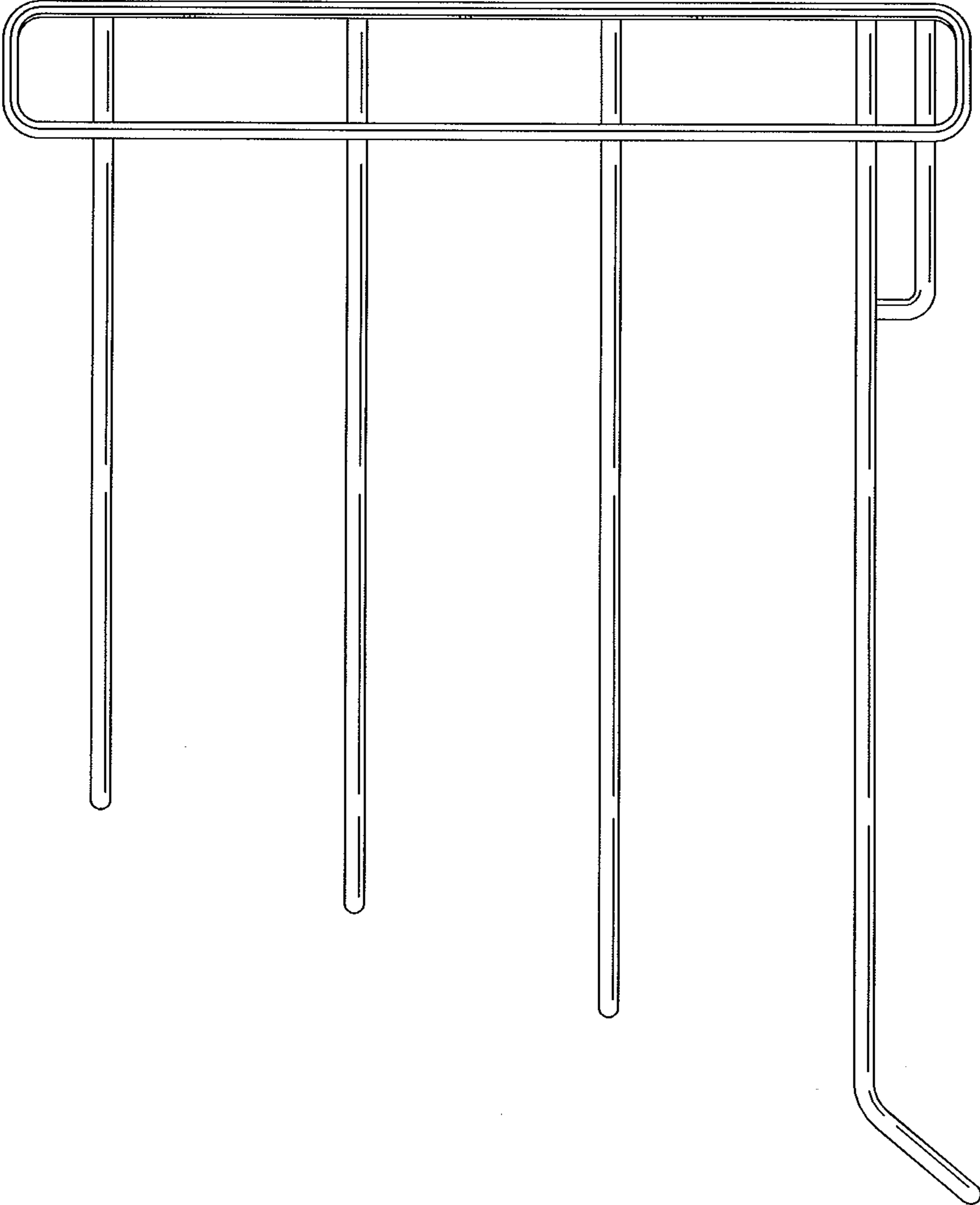


FIG. 2

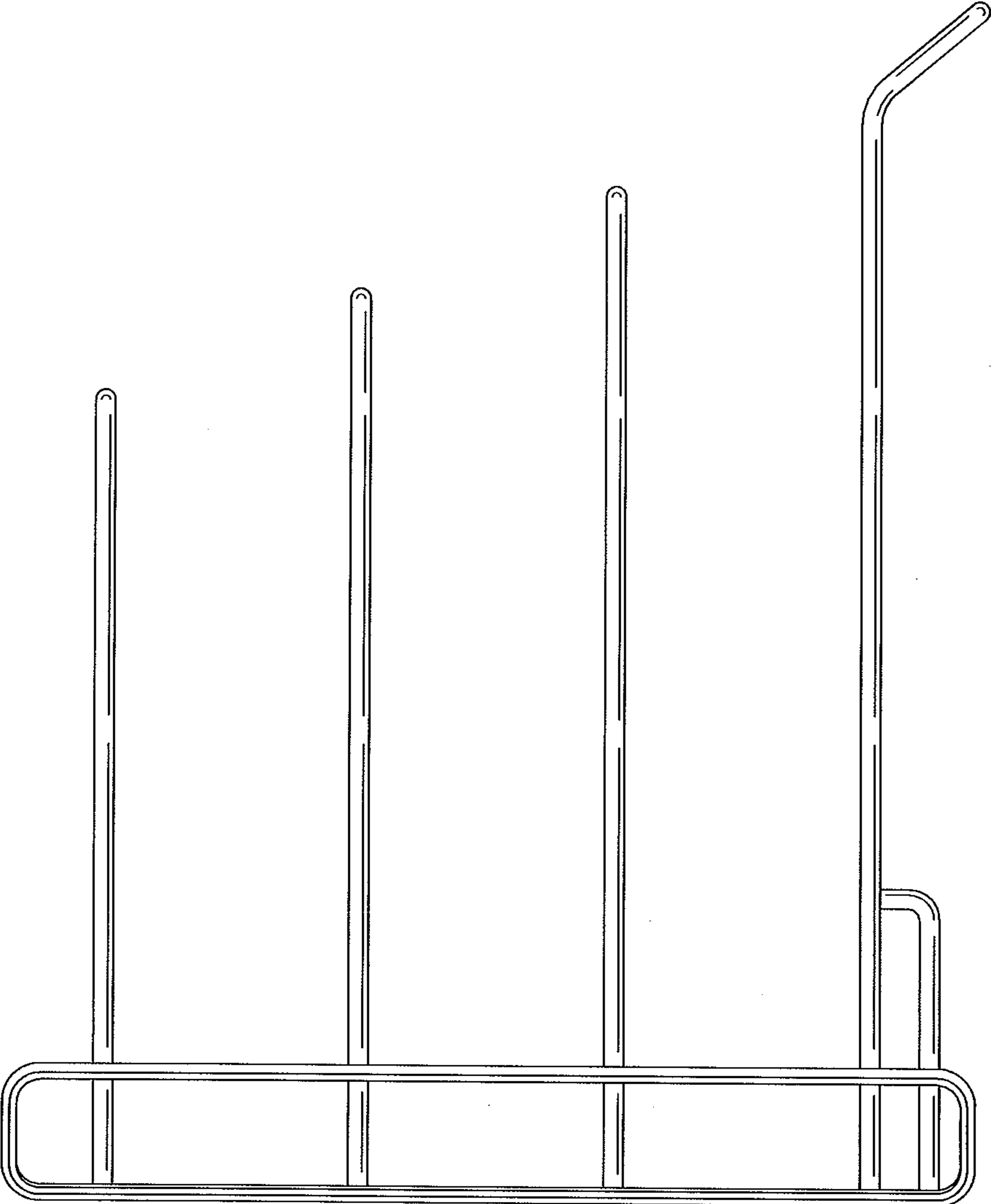


FIG. 3

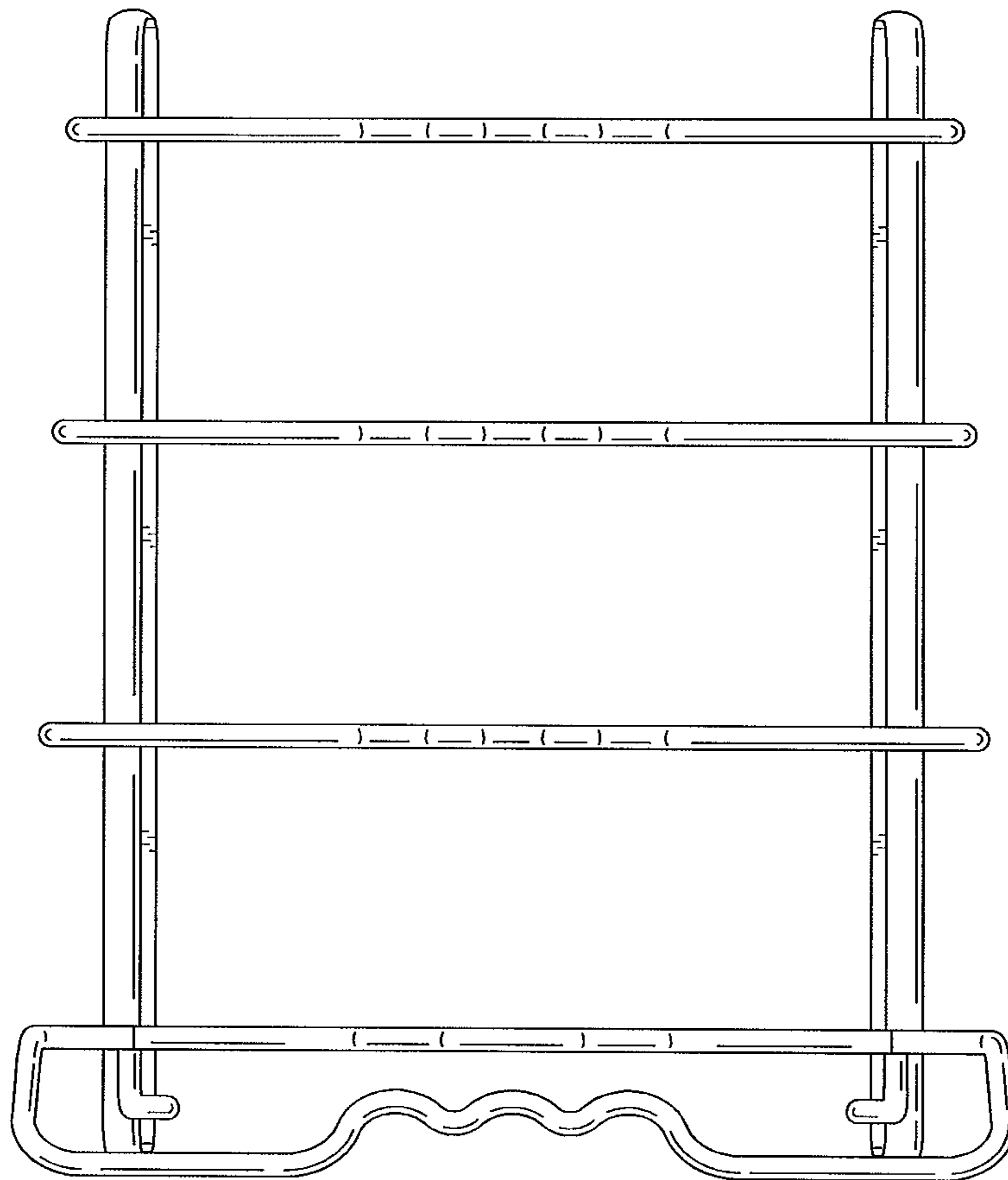


FIG. 4

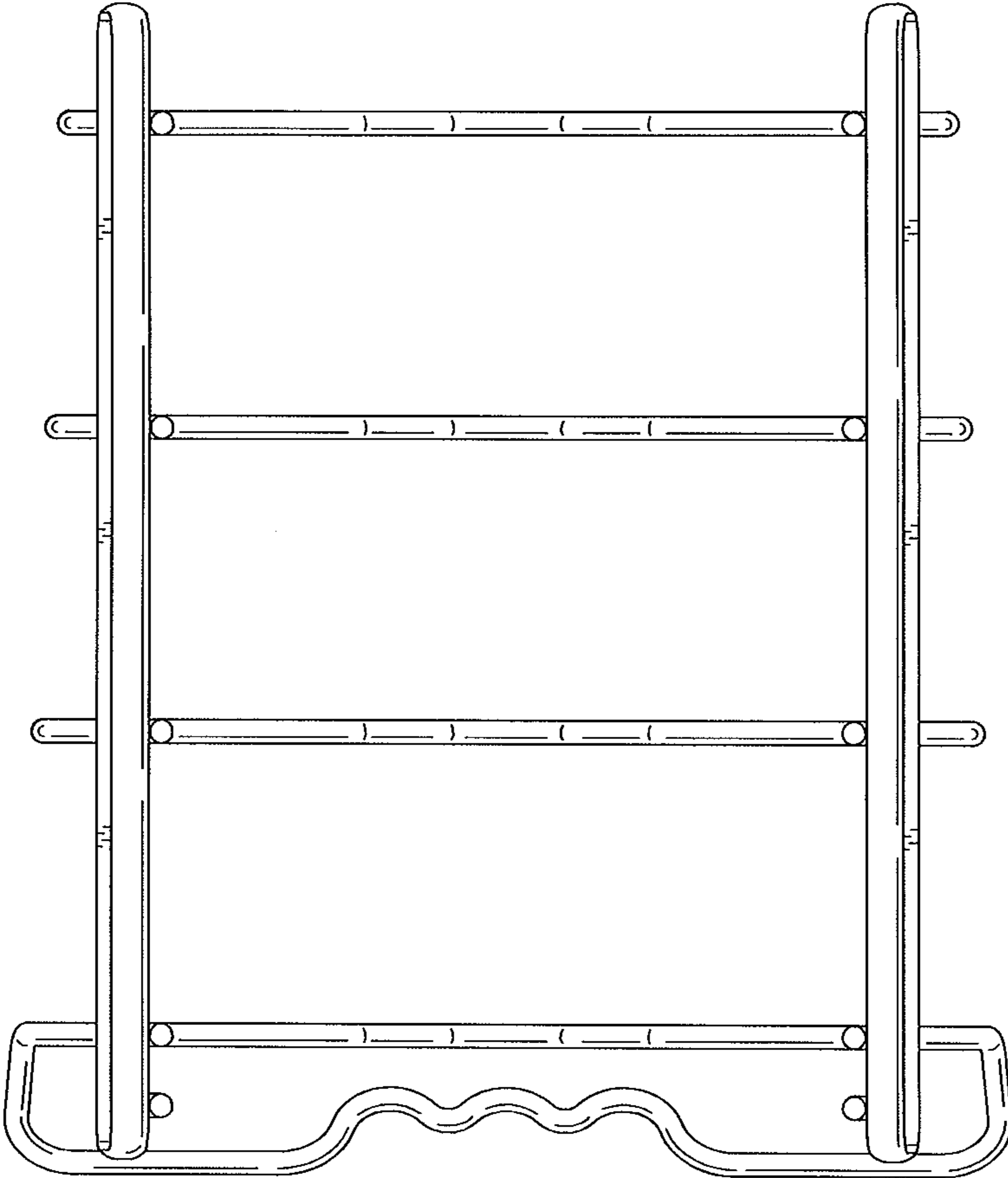


FIG. 5

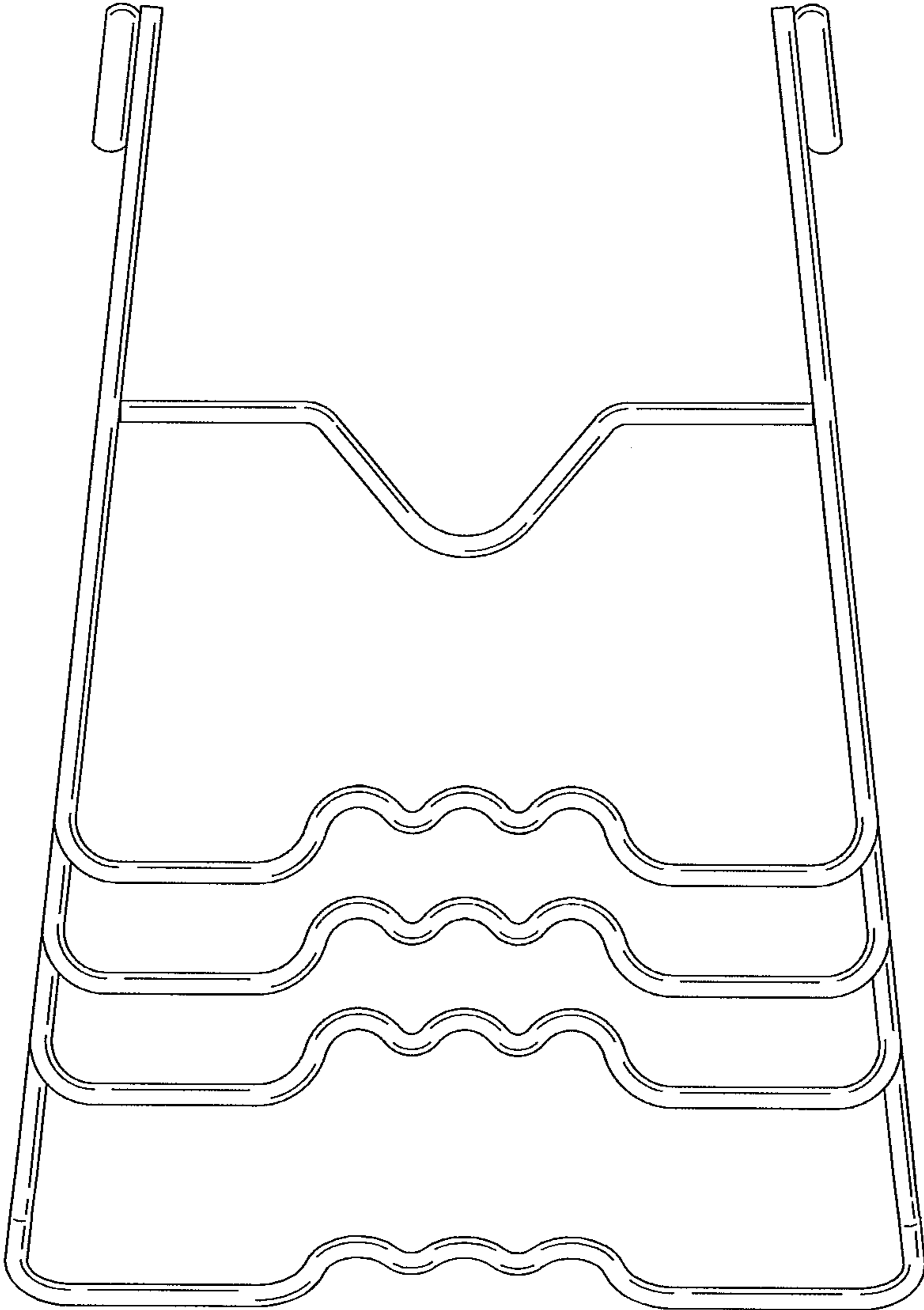


FIG. 6

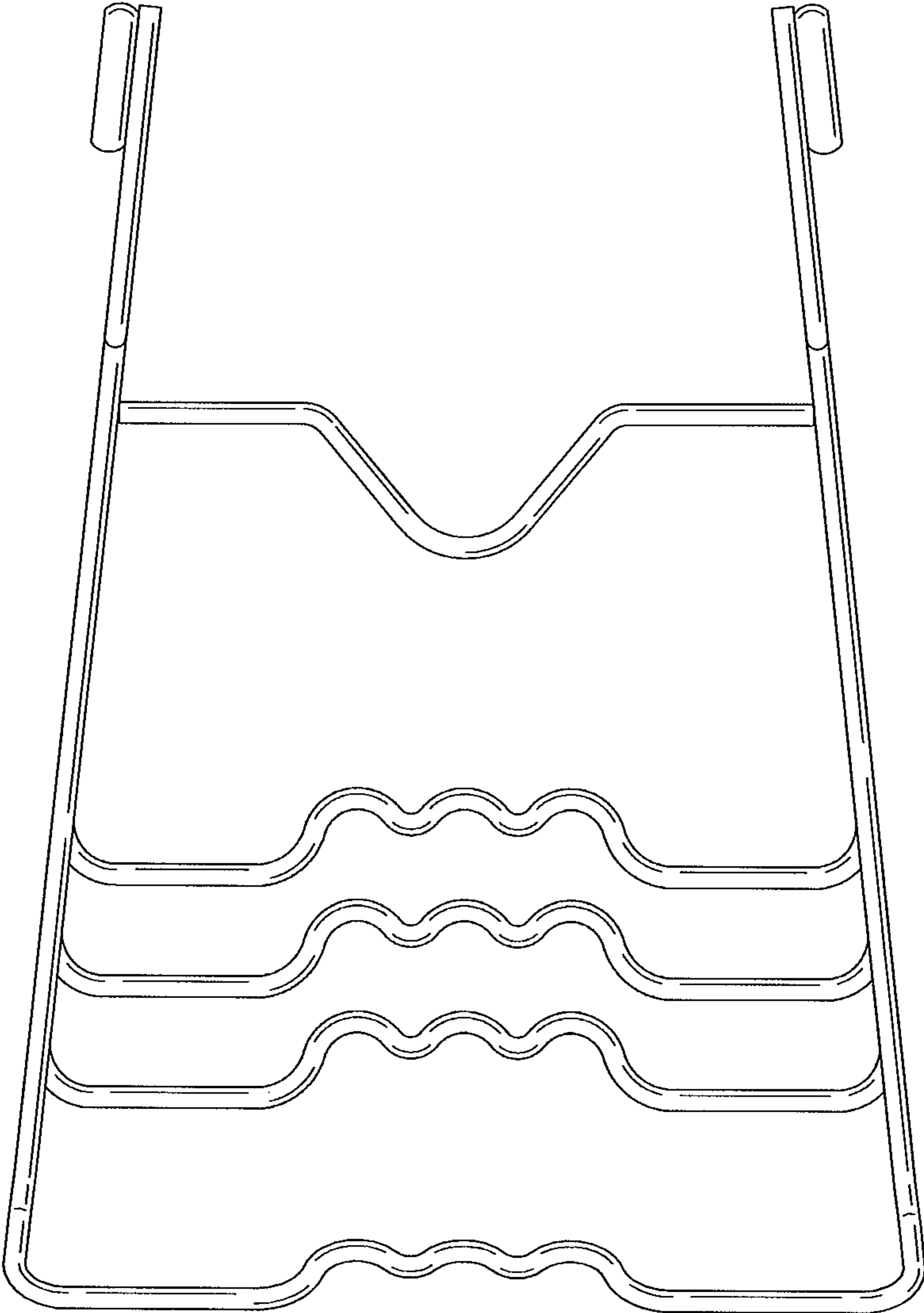


FIG. 7