



US00D707467S

(12) **United States Design Patent**
Allman et al.

(10) **Patent No.:** **US D707,467 S**
(45) **Date of Patent:** **** Jun. 24, 2014**

(54) **MATTRESS BED CUSHION**

(71) Applicants: **Michael Allman**, Wilson, NC (US);
Mark Stearley, Cary, NC (US); **Julian Thomas Young**, Zebulon, NC (US);
Stephen C. Kokenes, Raleigh, NC (US);
Edouard Lauer, Zebulon, NC (US)

(72) Inventors: **Michael Allman**, Wilson, NC (US);
Mark Stearley, Cary, NC (US); **Julian Thomas Young**, Zebulon, NC (US);
Stephen C. Kokenes, Raleigh, NC (US);
Edouard Lauer, Zebulon, NC (US)

(73) Assignee: **Noel Group LLC**, Zebulon, NC (US)

(**) Term: **14 Years**

(21) Appl. No.: **29/436,784**

(22) Filed: **Nov. 9, 2012**

(51) **LOC (10) Cl.** **06-09**

(52) **U.S. Cl.**
USPC **D6/606; D6/601**

(58) **Field of Classification Search**
USPC **D6/601, 605, 606; 5/716, 717, 727, 5/720, 740; 267/153; D25/119-125, 136**
See application file for complete search history.

(56) **References Cited**

U.S. PATENT DOCUMENTS

831,441	A	9/1906	Johnson
1,579,074	A	3/1926	Burton
1,930,285	A	10/1933	Robinson
2,192,516	A	3/1940	Cunnington
2,241,644	A	5/1941	Nichols et al.
2,369,000	A	2/1945	Page

(Continued)

FOREIGN PATENT DOCUMENTS

CN	2137475	Y	7/1993
CN	2302709	Y	1/1999

(Continued)

OTHER PUBLICATIONS

International Search Report for PCT/US2010/040003 mailed Aug. 30, 2010, 10 pages.

(Continued)

Primary Examiner — Janice Seeger

(74) *Attorney, Agent, or Firm* — Withrow & Terranova, PLLC

(57) **CLAIM**

The ornamental design for mattress bed cushion, as shown and described.

DESCRIPTION

FIG. 1 is a top perspective view of an exemplary mattress bed cushion;

FIG. 2 is a top view of the mattress bed cushion of FIG. 1;

FIG. 3 is a bottom view of the mattress bed cushion of FIG. 1;

FIG. 4 is a left side view of the mattress bed cushion of FIG. 1, and a right side view is identical thereto;

FIG. 5 is a front view of the mattress bed cushion of FIG. 1, and a rear view is identical thereto;

FIG. 6 is a sectional top perspective view of the exemplary mattress bed cushion of FIG. 1;

FIG. 7 is a sectional top view of the mattress bed cushion of FIG. 1;

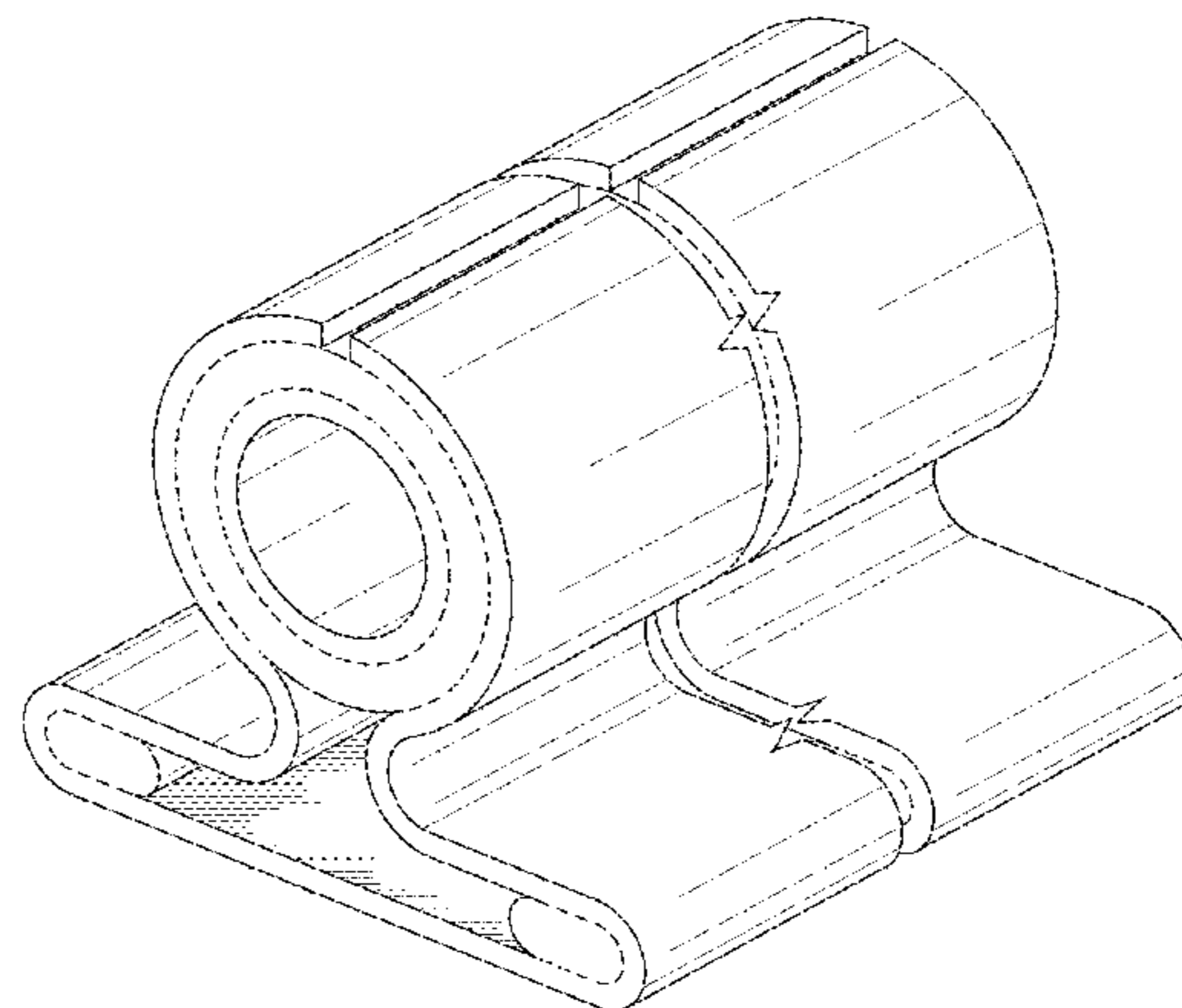
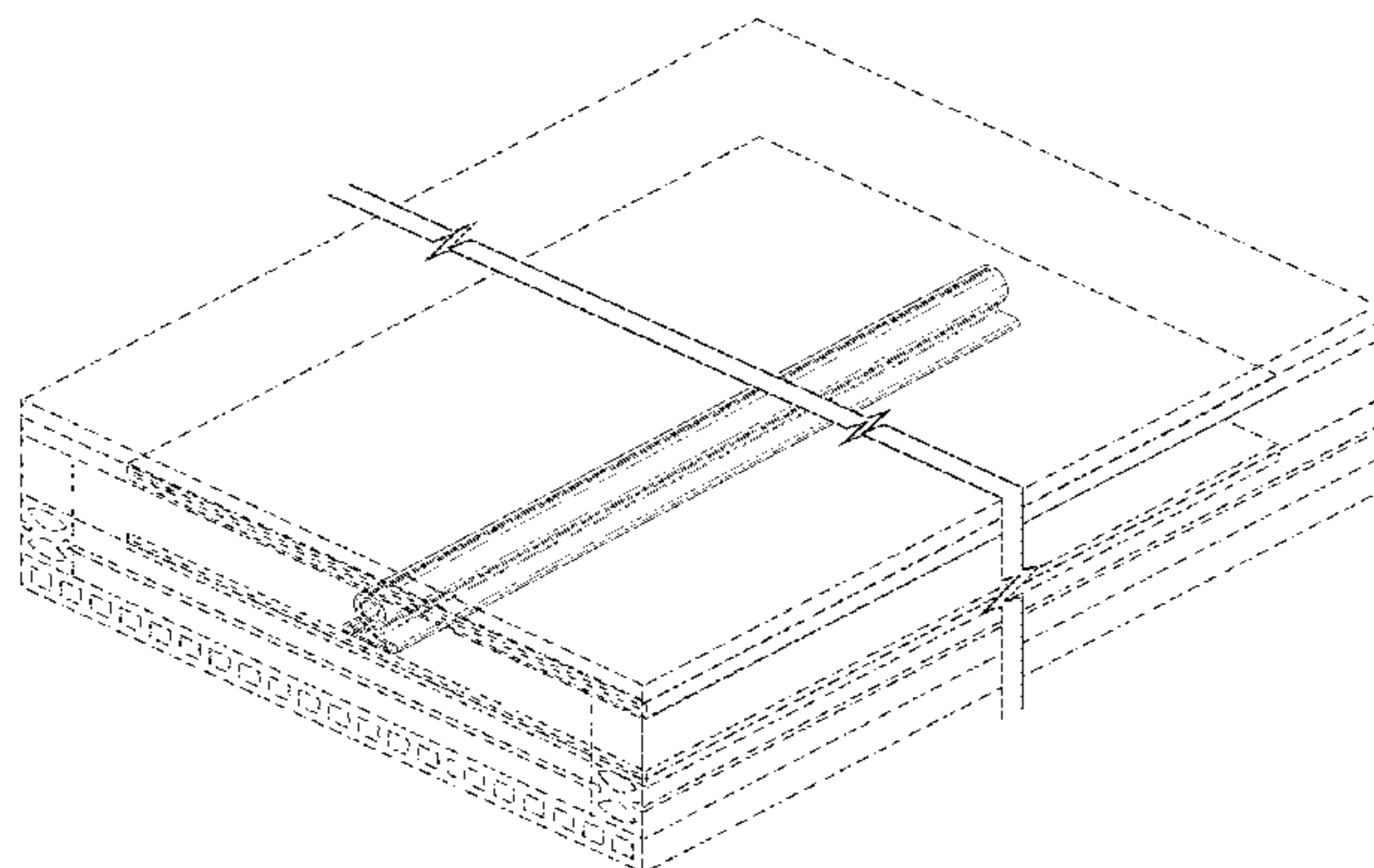
FIG. 8 is a sectional bottom view of the mattress bed cushion of FIG. 1;

FIG. 9 is a sectional left side view of the mattress bed cushion of FIG. 1, and a sectional right side view is identical thereto; and,

FIG. 10 is a sectional front view of the mattress bed cushion of FIG. 1, and a sectional rear view is identical thereto.

The mattress bed cushion is shown with symbolic breaks in its length. The appearance of any portion of the article between the break lines forms no part of the claimed design. Broken lines in the drawings are for illustrative purposes only and do not form part of the claimed design.

1 Claim, 9 Drawing Sheets



(56)

References Cited

U.S. PATENT DOCUMENTS

2,429,508 A	10/1947	Belaieff	4,879,776 A	11/1989	Farley
2,604,642 A	7/1952	Marco	4,952,450 A	8/1990	Noel
2,659,418 A	11/1953	Berman	D310,460 S	9/1990	Vergnano
2,682,125 A	6/1954	Coffield	4,955,096 A	9/1990	Gilroy et al.
2,835,313 A	5/1958	Dodge	4,957,798 A	9/1990	Bogdany
2,835,906 A	5/1958	Robbins	4,966,919 A	10/1990	Williams, Jr. et al.
2,917,807 A	12/1959	Scholl	4,972,535 A	11/1990	Goldman
2,955,056 A	10/1960	Knox	4,997,804 A	3/1991	Pekala
3,026,544 A	3/1962	Persicke et al.	4,999,868 A	3/1991	Kraft
3,047,888 A	8/1962	Shecter et al.	5,022,111 A	6/1991	Fenner
3,061,460 A	10/1962	Schickedanz	5,031,261 A	7/1991	Fenner, Sr.
3,107,377 A	10/1963	Nathan	5,037,859 A	8/1991	Williams, Jr. et al.
3,114,722 A	12/1963	Einhorn et al.	5,038,433 A	8/1991	Farley
3,188,665 A	6/1965	Snyder	5,047,436 A	9/1991	Hill et al.
3,222,697 A	12/1965	Scheermesser	5,070,560 A	12/1991	Wilkinson
3,283,357 A	11/1966	Decker et al.	D322,907 S	1/1992	Raburn
3,287,748 A	11/1966	Thomas et al.	5,083,335 A	1/1992	Krouskop et al.
3,319,272 A	5/1967	Eller	5,086,084 A	2/1992	Michaelson
3,483,069 A	12/1969	Cairns et al.	5,087,514 A	2/1992	Graefe
3,531,552 A	9/1970	Getz et al.	5,098,778 A	3/1992	Minnick
3,551,924 A	1/1971	Frye, Sr.	5,114,773 A	5/1992	Bogdany et al.
3,591,444 A	7/1971	Hoppe	5,118,555 A	6/1992	Horovitz
3,607,596 A	9/1971	Fairbanks	5,132,549 A	7/1992	Allan et al.
3,607,797 A	9/1971	Rubens et al.	5,136,740 A	8/1992	Kraft et al.
3,627,622 A	12/1971	Vega	5,138,730 A	8/1992	Masuda
3,691,569 A	9/1972	Ikada	5,206,082 A	4/1993	Malone
3,728,206 A	4/1973	Buese	5,248,550 A	9/1993	Turpin et al.
3,813,462 A	5/1974	Roberts	5,272,001 A	12/1993	Weisman et al.
3,846,857 A	11/1974	Weinstock	5,274,846 A	1/1994	Kolsky et al.
3,878,133 A	4/1975	Rubens	5,280,890 A	1/1994	Wydra
3,922,429 A	11/1975	Welch et al.	5,327,597 A	7/1994	Rothbard
3,989,781 A	11/1976	Chant	5,366,999 A	11/1994	Giez et al.
4,051,210 A	9/1977	Wallenberger	5,369,826 A	12/1994	Ikeda
D247,373 S	2/1978	Puccio	5,389,317 A	2/1995	Grimmer
4,073,020 A	2/1978	Stalter et al.	5,393,588 A	2/1995	Weddendorf
4,106,139 A	8/1978	Southard	5,395,860 A	3/1995	Leung et al.
4,110,857 A	9/1978	Banister	5,415,822 A	5/1995	Cook
4,134,166 A	1/1979	Schuder	5,418,257 A	5/1995	Weisman et al.
4,143,435 A	3/1979	Masuda	5,430,901 A	7/1995	Farley
4,146,562 A	3/1979	Fukushima et al.	5,451,451 A	9/1995	Minnick
4,159,355 A	6/1979	Kaufman	5,488,746 A	2/1996	Hudson
4,169,184 A	9/1979	Pufahl	5,491,852 A	2/1996	Maucher
4,213,214 A	7/1980	Gilhooly	5,492,662 A	2/1996	Kargol et al.
4,224,374 A	9/1980	Priest	5,494,627 A	2/1996	Kargol et al.
4,230,521 A	10/1980	Cobb et al.	5,513,402 A	5/1996	Schwartz
4,260,660 A	4/1981	McCarter	5,544,908 A	8/1996	Fezio
4,276,107 A	6/1981	Pufahl	5,642,557 A	7/1997	Clews
4,279,953 A	7/1981	Barden et al.	5,643,139 A	7/1997	Stout et al.
4,281,197 A	7/1981	Oblinger	5,686,167 A	11/1997	Rudy
4,348,243 A	9/1982	Craubner	5,701,623 A	12/1997	May
4,350,734 A	9/1982	Hammond	5,721,035 A	2/1998	Dunn
4,370,767 A	2/1983	Fraser	5,740,574 A	4/1998	Piraino et al.
4,393,116 A	7/1983	Taylor	D394,578 S	5/1998	Raburn
4,397,053 A	8/1983	Fanti	5,755,901 A	5/1998	Ormachea
4,432,110 A	2/1984	Sutton	5,801,211 A	9/1998	Tornero et al.
4,438,221 A	3/1984	Fracalossi et al.	5,806,796 A	9/1998	Healey
4,524,473 A	6/1985	Fanti	D401,451 S	11/1998	Sherman
4,525,386 A	6/1985	Weisman	D406,051 S	2/1999	Ross
4,537,825 A	8/1985	Yardley	5,869,172 A	2/1999	Caldwell
4,569,861 A	2/1986	Smith et al.	5,876,652 A	3/1999	Rorabaugh et al.
4,603,445 A	8/1986	Spann	5,919,413 A	7/1999	Avila
4,618,517 A	10/1986	Simko, Jr.	5,944,389 A	8/1999	Zenba et al.
4,620,337 A	11/1986	Williams et al.	5,945,461 A	8/1999	Gosiewski et al.
4,631,768 A	12/1986	Ferrall	5,960,497 A	10/1999	Castellino et al.
4,683,246 A	7/1987	Davis et al.	5,977,271 A	11/1999	McKay et al.
4,700,447 A	10/1987	Spann	5,987,668 A	11/1999	Ackley
4,713,854 A	12/1987	Graebe	D418,394 S	1/2000	King
4,722,158 A	2/1988	Urdaneta	6,026,527 A	2/2000	Pearce et al.
4,741,058 A	5/1988	Williams et al.	6,108,835 A	8/2000	Hwang et al.
4,755,408 A	7/1988	Noel	6,129,978 A	10/2000	Caldwell
4,780,167 A	10/1988	Hill	6,132,323 A	10/2000	Smith et al.
4,796,316 A	1/1989	Boselli	6,139,956 A	10/2000	Endoh et al.
4,828,325 A	5/1989	Brooks	6,212,720 B1	4/2001	Antinori et al.
4,837,060 A	6/1989	Bambara et al.	6,237,173 B1	5/2001	Schlichter et al.
4,837,881 A	6/1989	Kondo et al.	6,258,310 B1	7/2001	Sardanopoli et al.
			6,262,137 B1	7/2001	Kozma et al.
			6,284,346 B1	9/2001	Sheridan
			6,306,235 B1	10/2001	Henderson
			6,309,235 B1	10/2001	Argaut

(56)

References Cited

U.S. PATENT DOCUMENTS

6,317,912 B1 11/2001 Graebe et al.
 6,323,251 B1 11/2001 Perez et al.
 D456,197 S 4/2002 McClure et al.
 6,406,780 B1 6/2002 Sutherland
 6,425,153 B1 7/2002 Reswick
 D467,118 S 12/2002 McClure et al.
 6,537,405 B1 3/2003 Henderson et al.
 6,555,214 B1 4/2003 Yates
 6,574,814 B2 6/2003 Collard et al.
 6,596,389 B1 7/2003 Hallett et al.
 6,612,556 B2 9/2003 Petrina
 6,643,876 B2 11/2003 Visser et al.
 6,658,683 B2 12/2003 Parvin
 6,687,935 B2 2/2004 Reeder et al.
 6,691,482 B1 2/2004 Ault
 6,701,551 B1 3/2004 Antinori
 6,740,381 B2 5/2004 Day et al.
 6,743,830 B2 6/2004 Soane et al.
 6,807,698 B2 10/2004 Torbet et al.
 6,866,915 B2 3/2005 Landvik
 6,868,569 B2 3/2005 VanSteenburg
 6,920,287 B1 7/2005 Hinds et al.
 6,949,588 B2 9/2005 Park
 6,967,833 B2 11/2005 Boykin et al.
 7,045,206 B1 5/2006 Granata et al.
 7,059,001 B2 6/2006 Woolfson
 7,076,822 B2 7/2006 Pearce
 7,086,108 B1 8/2006 Litvak
 7,090,911 B2 8/2006 Lascelles
 7,093,619 B2 8/2006 Watanabe et al.
 7,108,252 B2 9/2006 Jayakumaran
 7,159,620 B2 1/2007 Kissell
 7,166,646 B2 1/2007 Loh et al.
 7,173,070 B2 2/2007 Koffler
 7,191,483 B2 3/2007 Hochschild
 7,281,917 B2 10/2007 Hannen
 7,285,316 B2 10/2007 Meyer-Ahrens et al.
 7,334,280 B1 2/2008 Swartzburg et al.
 7,386,903 B2 6/2008 Hochschild
 7,393,577 B2 7/2008 Day et al.
 7,426,767 B2 9/2008 Mossbeck
 D579,586 S 10/2008 Mattingly
 7,452,585 B1 11/2008 Wong et al.
 7,490,819 B2 2/2009 Molitor
 7,491,753 B2 2/2009 Krishnan
 7,496,981 B2 3/2009 Cucurull
 7,607,911 B2 10/2009 Sperry et al.
 7,793,372 B2 9/2010 Lean et al.
 7,794,827 B2 9/2010 Palmer et al.
 7,845,035 B2 12/2010 Letton et al.
 D640,535 S 6/2011 Austro
 8,034,445 B2 10/2011 Landvik et al.
 8,127,383 B2 3/2012 Gladney et al.
 D663,152 S 7/2012 Shive
 8,307,482 B2 11/2012 Gladney et al.
 D673,402 S 1/2013 Kuzyk
 D675,051 S 1/2013 Sobran et al.
 8,346,373 B2 1/2013 Thompson-Nauman et al.
 8,356,373 B2 1/2013 Allman et al.
 D675,856 S 2/2013 Yiannaki
 8,418,297 B2 4/2013 Mikkelsen et al.
 D688,069 S * 8/2013 Henderson et al. D6/606
 D690,536 S 10/2013 Young et al.
 D691,400 S 10/2013 Young
 D691,401 S 10/2013 Sobran
 D692,690 S 11/2013 Sobran
 D692,691 S 11/2013 Henderson et al.
 D692,692 S 11/2013 Allman et al.
 D692,693 S 11/2013 Allman et al.
 D692,694 S 11/2013 Allman et al.
 D693,144 S 11/2013 Sobran
 D693,145 S 11/2013 Young et al.
 D693,146 S 11/2013 Allman et al.
 D693,147 S 11/2013 Henderson et al.
 D693,148 S 11/2013 Young et al.

D693,149 S 11/2013 Allman et al.
 D694,041 S 11/2013 Sobran et al.
 D694,552 S 12/2013 Allman et al.
 D694,553 S 12/2013 Sobran
 D694,554 S 12/2013 Yiannaki et al.
 D697,337 S 1/2014 Young
 2001/0029632 A1 10/2001 Parvin
 2001/0044972 A1 11/2001 Kutschi
 2002/0054996 A1 5/2002 Rheenen
 2002/0162173 A1 11/2002 Formenti
 2002/0185905 A1 12/2002 Cassinelli
 2003/0177584 A1 9/2003 Boyd
 2003/0194546 A1 10/2003 McCabe
 2003/0207634 A1 11/2003 Holeschovsky
 2004/0010855 A1 1/2004 Piraino
 2004/0126558 A1 7/2004 Williams et al.
 2004/0133987 A1 7/2004 Reeder et al.
 2004/0137212 A1 7/2004 Ochoa et al.
 2004/0172766 A1 9/2004 Formenti
 2004/0187217 A1 9/2004 Barman et al.
 2005/0115003 A1 6/2005 Torbet et al.
 2005/0188467 A1 9/2005 Woolfson
 2005/0192368 A1 9/2005 Miller et al.
 2006/0068169 A1 3/2006 Hanada et al.
 2006/0123553 A1 6/2006 Jansen
 2006/0127648 A1 6/2006 De Luca
 2006/0194892 A1 8/2006 Ramesh et al.
 2006/0195988 A1 9/2006 Gladney
 2006/0272098 A1 12/2006 Hochschild
 2006/0288490 A1 12/2006 Mikkelsen et al.
 2006/0290039 A1 12/2006 Cao et al.
 2007/0022540 A1 2/2007 Hochschild
 2007/0044906 A1 3/2007 Park
 2007/0094801 A1 5/2007 Kuo
 2007/0221890 A1 9/2007 Gan
 2007/0289069 A1 12/2007 Wells
 2008/0014387 A1 1/2008 Murphy et al.
 2008/0201860 A1 8/2008 Malzl
 2008/0299379 A1 12/2008 Maurer et al.
 2008/0313815 A1 12/2008 Guesquiere
 2009/0011203 A1 1/2009 Mock et al.
 2009/0013472 A1 1/2009 Koffler et al.
 2009/0047495 A1 2/2009 Hubbs
 2009/0139033 A1 6/2009 Gladney
 2009/0142551 A1 6/2009 Fox et al.
 2009/0183314 A1 7/2009 Demoss
 2009/0291290 A1 11/2009 Zhang et al.
 2010/0018347 A1 1/2010 Holden et al.
 2010/0021690 A1 1/2010 McCarthy
 2010/0030316 A1 2/2010 Prindle et al.
 2010/0047550 A1 2/2010 Prissok et al.
 2010/0143652 A1 6/2010 Stockton et al.
 2010/0146706 A1 6/2010 Siegner et al.
 2010/0183847 A1 7/2010 Pearce et al.
 2010/0218319 A1 9/2010 Moule et al.
 2010/0221521 A1 9/2010 Wagner et al.
 2010/0223732 A1 9/2010 Allman et al.
 2010/0223734 A1 9/2010 Oh
 2010/0237082 A1 9/2010 Fernandez
 2010/0304104 A1 12/2010 Nagasaki et al.
 2010/0319137 A1 12/2010 Witherell et al.
 2010/0325806 A1 12/2010 Letton et al.
 2011/0049327 A1 3/2011 Young et al.
 2011/0061168 A1 3/2011 Farley
 2011/0179579 A1 7/2011 Henderson et al.
 2011/0197363 A1 8/2011 Kokenes et al.
 2011/0252572 A1 10/2011 Morrison
 2012/0180225 A1 7/2012 Gladney et al.
 2012/0233784 A1 9/2012 Wood
 2012/0272457 A1 11/2012 Allman et al.
 2012/0284928 A1 11/2012 Henderson et al.
 2013/0098791 A1 4/2013 Saunders et al.

FOREIGN PATENT DOCUMENTS

CN 1233444 A 11/1999
 CN 2432041 Y 5/2001
 CN 2841067 Y 11/2006
 DE 3937214 A1 5/1991

(56)

References Cited

FOREIGN PATENT DOCUMENTS

EP	0349620	A1	1/1990
EP	0209453	B2	9/1993
EP	0996654	B1	5/2000
EP	1825996	A1	8/2007
EP	1865812	A1	12/2007
EP	1914274	A1	4/2008
EP	2095745	A1	9/2009
EP	2247223	B1	3/2013
GB	1423541	A	2/1976
GB	2225229	A	5/1990
WO	9514136	A1	5/1995
WO	9522922	A1	8/1995
WO	02075203	A1	9/2002
WO	02077513	A1	10/2002
WO	2004041659	A2	5/2004
WO	2008100728	A2	8/2008
WO	2009014657	A1	1/2009
WO	2010075231	A1	7/2010
WO	2011150080	A1	12/2011
WO	2012033985	A1	3/2012
WO	2012076978	A1	6/2012
WO	2012094466	A1	7/2012
WO	2012094468	A1	7/2012
WO	2012145320	A1	10/2012
WO	2012155131	A1	11/2012
WO	2012155132	A1	11/2012
WO	2013012904	A1	1/2013
WO	2013040543	A2	3/2013
WO	2013059767	A1	4/2013
WO	2013106066	A1	7/2013
WO	2013112176	A1	8/2013
WO	2013112840	A1	8/2013
WO	2014013083	A1	1/2014

OTHER PUBLICATIONS

Non-final Office Action for U.S. Appl. No. 12/893,265 mailed May 15, 2012, 15 pages.

Chinese Office Action for patent application 20102187662.1 mailed Oct. 21, 2010, 3 pages.

Non-final Office Action for U.S. Appl. No. 12/823,653 mailed Mar. 7, 2012, 6 pages.

Kelmpner, Daniel et al., "3.3 Open- and Closed-Cell Foamed Plastics," in Handbook of Polymeric Foam and Foam Technology, Second Edition, Hanser Gardner Publications, Inc., Cincinnati, OH, Apr. 2004, pp. 22, 39 and 59.

Smock, D., "One-step SkinForm process went live at NPE2012," Plasticstoday.com, Apr. 13, 2012, 2 pages, Accessed Apr. 18, 2012.

European Search Report for European Patent Application No. 10749317.3 mailed Oct. 30, 2012, 7 pages.

International Preliminary Report on Patentability for PCT/US2011/024759 mailed Aug. 14, 2012, 8 pages.

International Search Report and Written Opinion for PCT/US2011/024759 mailed Apr. 7, 2011, 12 pages.

International Search Report for PCT/US2012/057917 mailed Dec. 21, 2012, 11 pages.

Non-final Office Action for U.S. Appl. No. 12/716,804 mailed Jun. 21, 2012, 10 pages.

Notice of Allowance for U.S. Appl. No. 12/716,804 mailed Dec. 11, 2012, 9 pages.

Notice of Allowance for U.S. Appl. No. 29/436,787 mailed Jul. 5, 2013, 8 pages.

Notice of Allowance for U.S. Appl. No. 29/436,790 mailed Jul. 5, 2013, 8 pages.

Notice of Allowance for U.S. Appl. No. 29/436,782 mailed Jul. 8, 2013, 8 pages.

Notice of Allowance for U.S. Appl. No. 29/413,103 mailed Jul. 9, 2013, 8 pages.

Notice of Allowance for U.S. Appl. No. 29/428,120 mailed Jul. 23, 2013, 7 pages.

Non-final Office Action for U.S. Appl. No. 29/426,274 mailed Sep. 13, 2013, 5 pages.

Canadian Office Action for Canadian patent application 2,783,886 mailed Mar. 21, 2013, 3 pages.

Official Action for Mexican patent application MX/a/2011/009080 mailed Mar. 22, 2013, 6 pages.

International Search Report for PCT/US2012/035564 mailed Mar. 26, 2013, 13 pages.

Notice of Allowance for U.S. Appl. No. 29/436,783 mailed Mar. 14, 2013, 6 pages.

Non-final Office Action for U.S. Appl. No. 29/436,793 mailed Mar. 15, 2013, 5 pages.

Non-final Office Action for U.S. Appl. No. 29/436,801 mailed Mar. 15, 2013, 6 pages.

Non-final Office Action for U.S. Appl. No. 29/436,831 mailed Mar. 15, 2013, 5 pages.

Non-final Office Action for U.S. Appl. No. 29/436,833 mailed Mar. 15, 2013, 5 pages.

Non-final Office Action for U.S. Appl. No. 29/436,847 mailed Mar. 15, 2013, 5 pages.

Non-final Office Action for U.S. Appl. No. 29/436,860 mailed Mar. 15, 2013, 5 pages.

Final Office Action for U.S. Appl. No. 12/893,265 mailed Mar. 15, 2013, 12 pages.

Notice of Allowance for U.S. Appl. No. 29/436,781 mailed Mar. 19, 2013, 7 pages.

Notice of Allowance for U.S. Appl. No. 29/436,786 mailed Mar. 19, 2013, 8 pages.

Non-final Office Action for U.S. Appl. No. 29/436,792 mailed Mar. 19, 2013, 5 pages.

Non-final Office Action for U.S. Appl. No. 29/436,806 mailed Mar. 21, 2013, 6 pages.

Notice of Allowance for U.S. Appl. No. 29/436,781 mailed May 24, 2013, 8 pages.

Notice of Allowance for U.S. Appl. No. 29/436,782 mailed May 24, 2013, 8 pages.

Notice of Allowance for U.S. Appl. No. 29/436,783 mailed May 28, 2013, 8 pages.

Notice of Allowance for U.S. Appl. No. 29/436,786 mailed May 28, 2013, 8 pages.

Notice of Allowance for U.S. Appl. No. 29/436,787 mailed May 13, 2013, 8 pages.

Notice of Allowance for U.S. Appl. No. 29/436,790 mailed May 28, 2013, 8 pages.

Non-final Office Action for U.S. Appl. No. 29/436,795 mailed May 23, 2013, 6 pages.

Non-final Office Action for U.S. Appl. No. 29/436,799 mailed May 23, 2013, 6 pages.

Non-final Office Action for U.S. Appl. No. 29/436,842 mailed May 23, 2013, 6 pages.

Notice of Allowance for U.S. Appl. No. 29/413,103 mailed May 2, 2013, 7 pages.

Non-final Office Action for U.S. Appl. No. 29/426,274 mailed May 14, 2013, 4 pages.

Non-final Office Action for U.S. Appl. No. 13/026,979 mailed May 17, 2013, 11 pages.

Invitation to Pay Additional Fees for PCT/US2012/035564 mailed Jan. 17, 2013, 7 pages.

Non-final Office Action for U.S. Appl. No. 29/413,103 mailed Jan. 8, 2013, 5 pages.

International Preliminary Report on Patentability for PCT/US2012/035564 mailed Nov. 7, 2013, 8 pages.

Final Office Action for U.S. Appl. No. 12/893,265 mailed Nov. 4, 2013, 10 pages.

Final Office Action for U.S. Appl. No. 13/026,979 mailed Nov. 8, 2013, 9 pages.

Canadian Office Action for Canadian patent application 2,783,886 mailed Dec. 9, 2013, 2 pages.

Examination Report for European Patent Application 10749317.3 mailed Nov. 25, 2013, 5 pages.

Non-final Office Action for U.S. Appl. No. 29/436,864 mailed Dec. 13, 2013, 6 pages.

Notice of Allowance for U.S. Appl. No. 29/436,789 mailed Dec. 26, 2013, 8 pages.

(56)

References Cited

OTHER PUBLICATIONS

Notice of Allowance for U.S. Appl. No. 29/466,455 mailed Dec. 16, 2013, 8 pages.

Advisory Action for U.S. Appl. No. 13/026,979 mailed Jan. 14, 2014, 2 pages.

Notice of Allowance for U.S. Appl. No. 29/466,455 mailed Feb. 7, 2014, 8 pages.

Notice of Allowance for U.S. Appl. No. 29/436,797 mailed Feb. 11, 2014, 6 pages.

International Search Report for PCT/US2013/067427 mailed Mar. 18, 2014, 10 pages.

Advisory Action for U.S. Appl. No. 12/893,265 mailed Apr. 7, 2014, 3 pages.

International Preliminary Report on Patentability for PCT/US2012/057917 mailed Apr. 10, 2014, 10 pages.

* cited by examiner

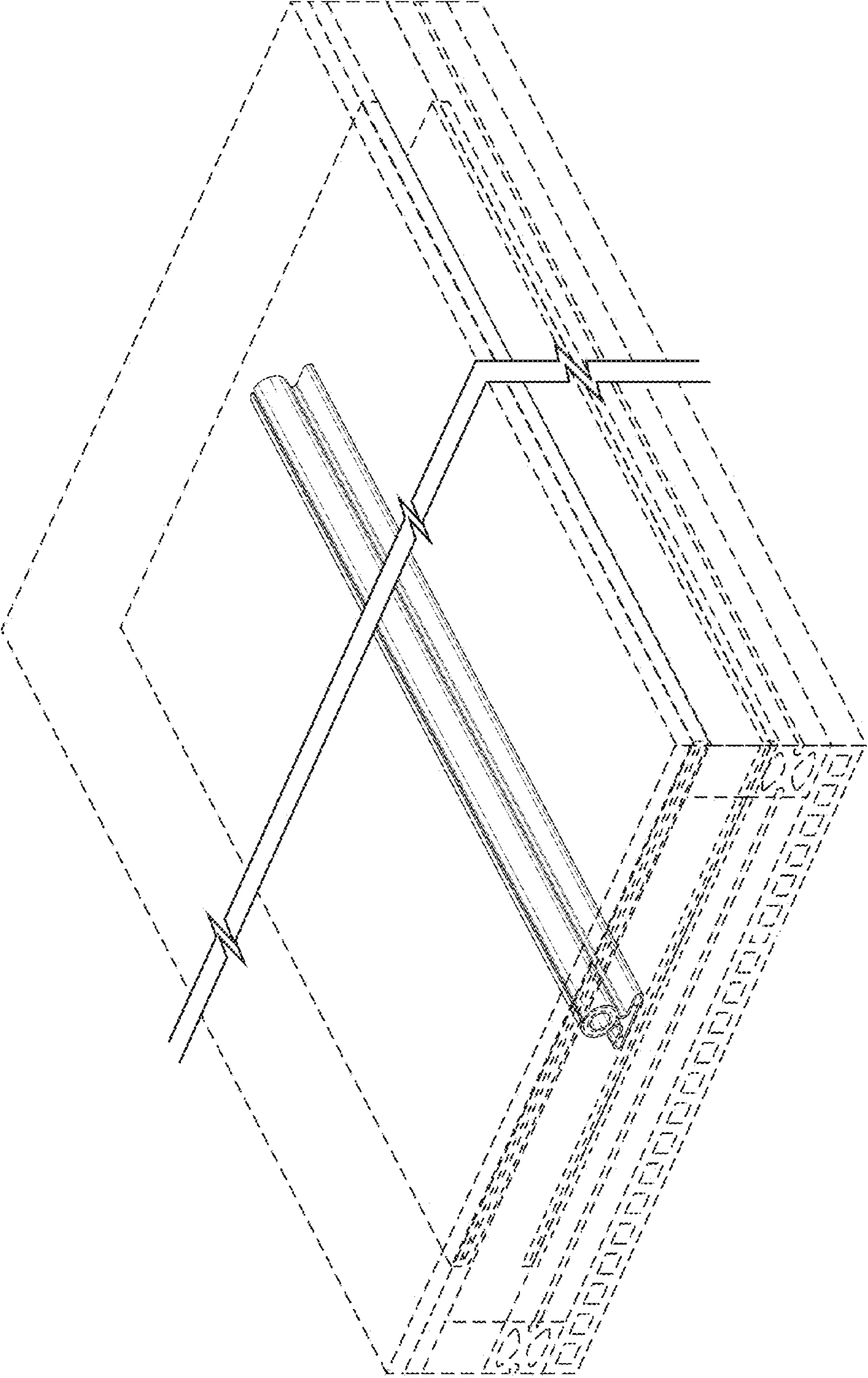


FIG. 1

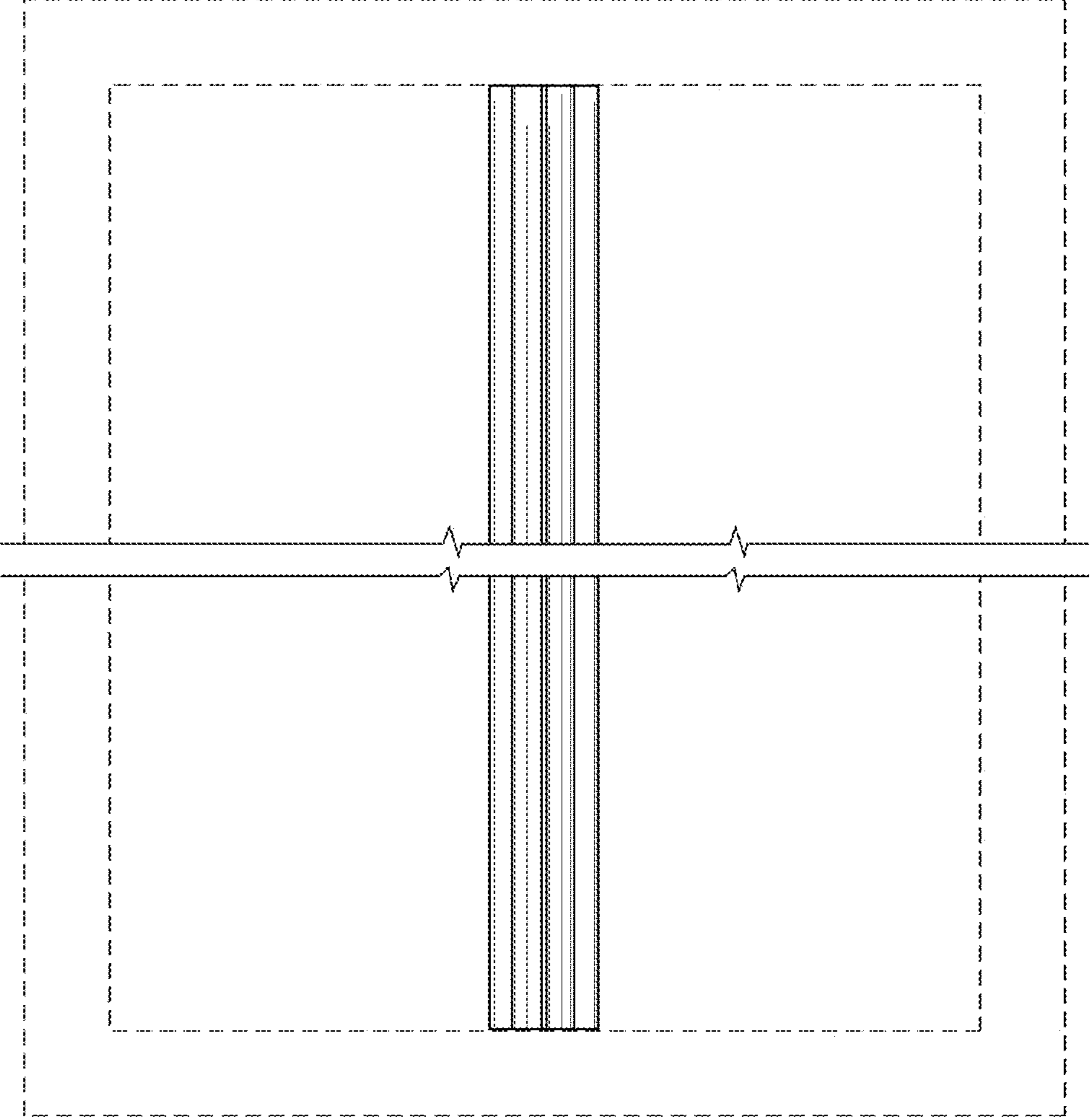


FIG. 2

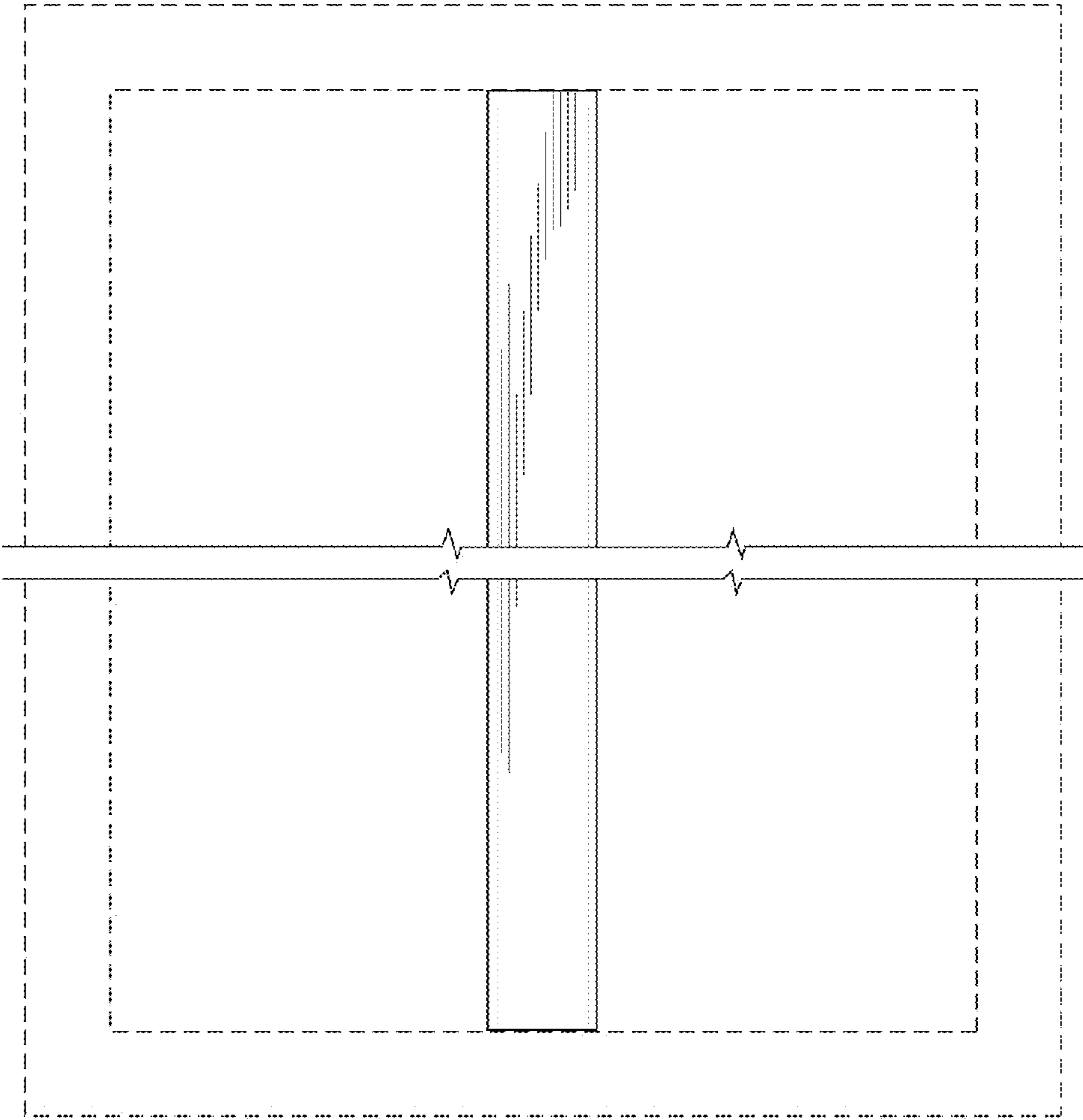


FIG. 3

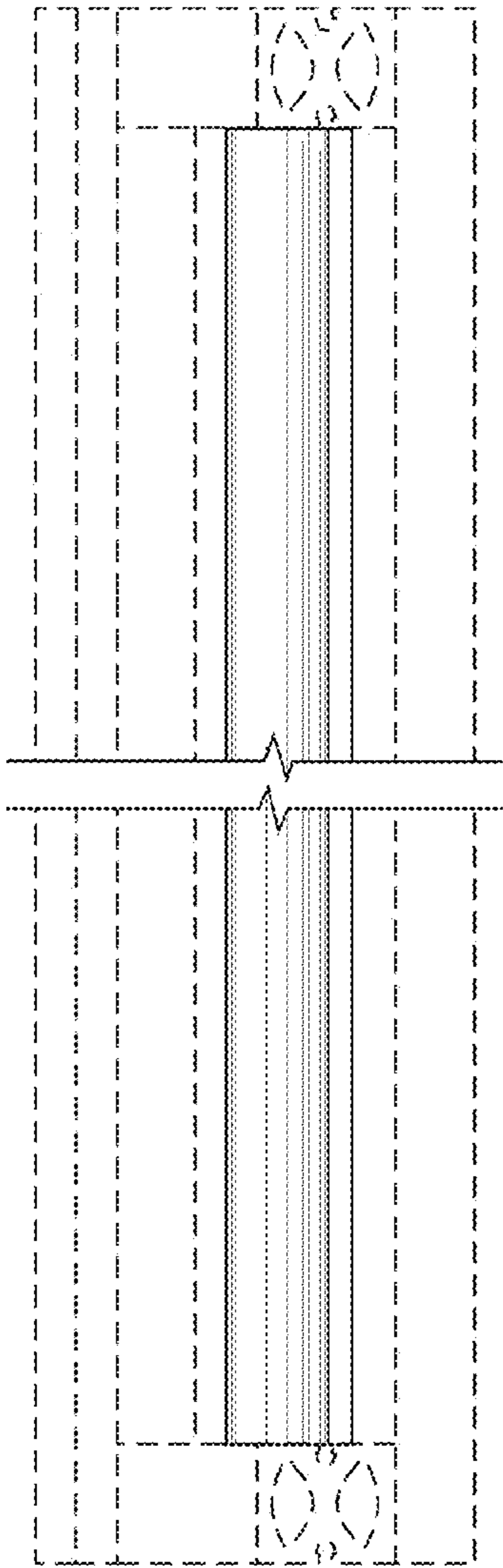


FIG. 4

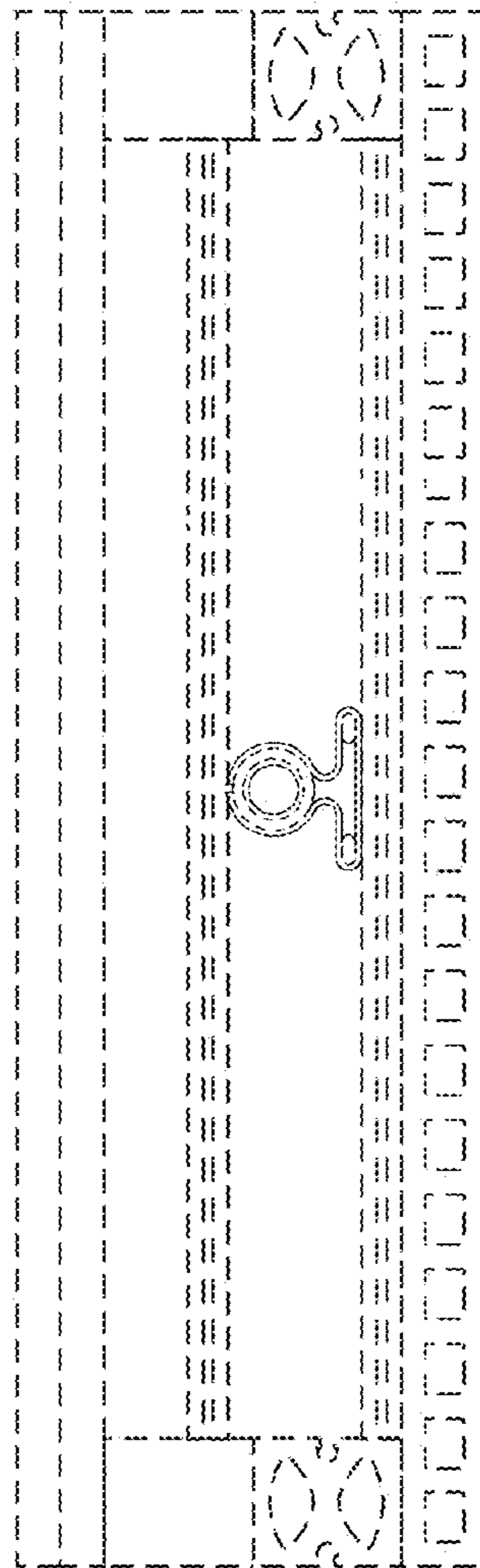


FIG. 5

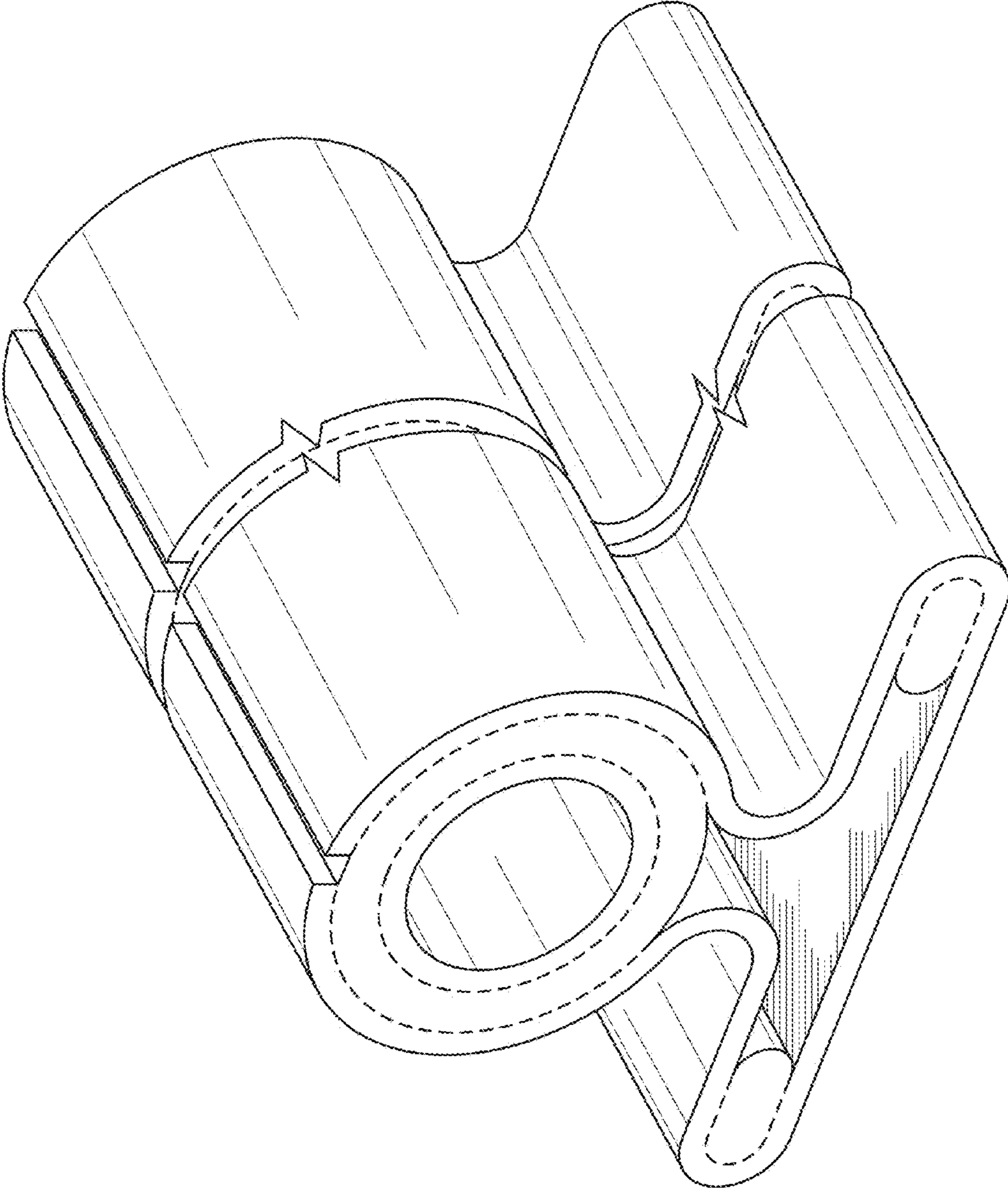


FIG. 6

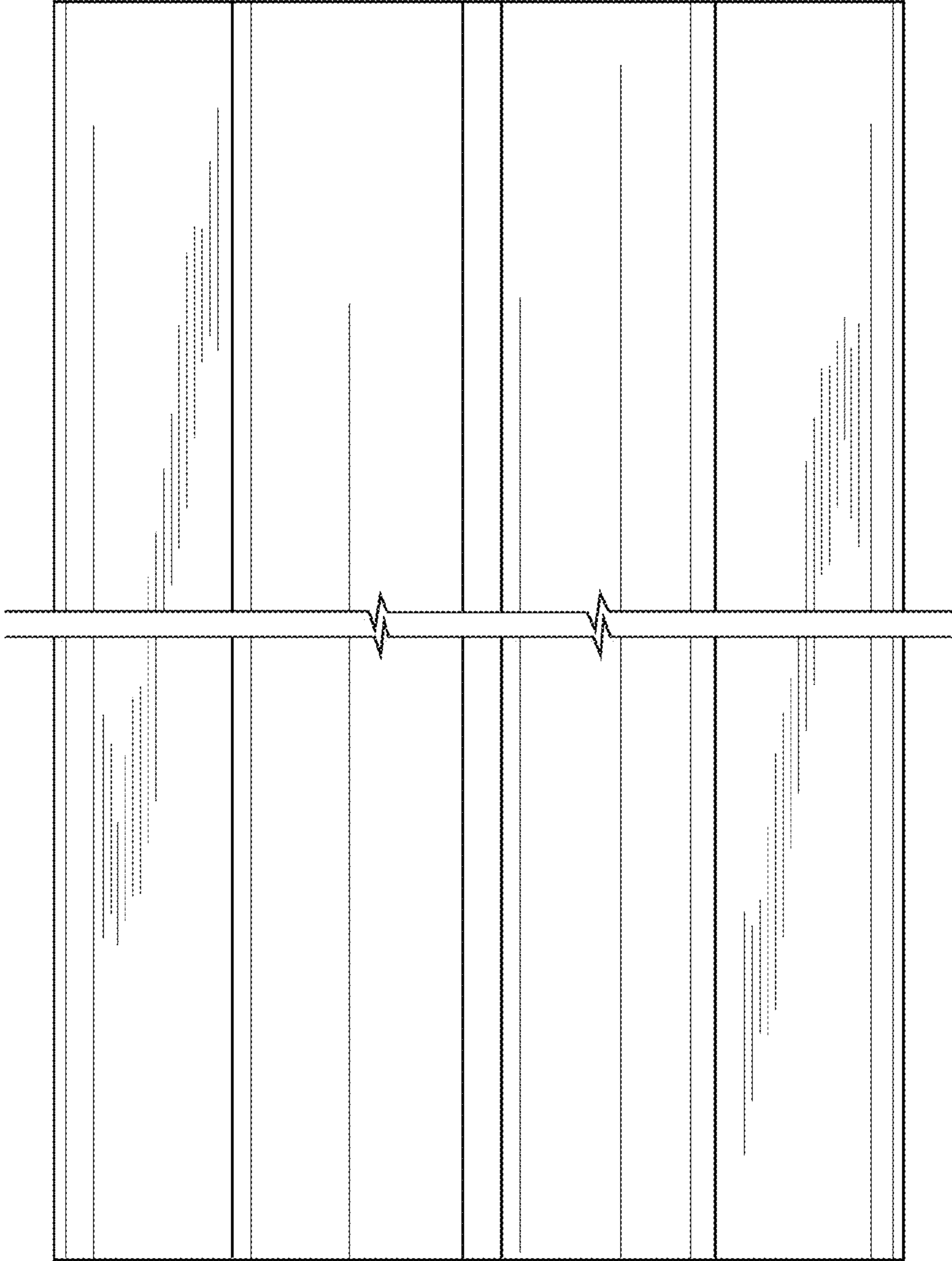


FIG. 7

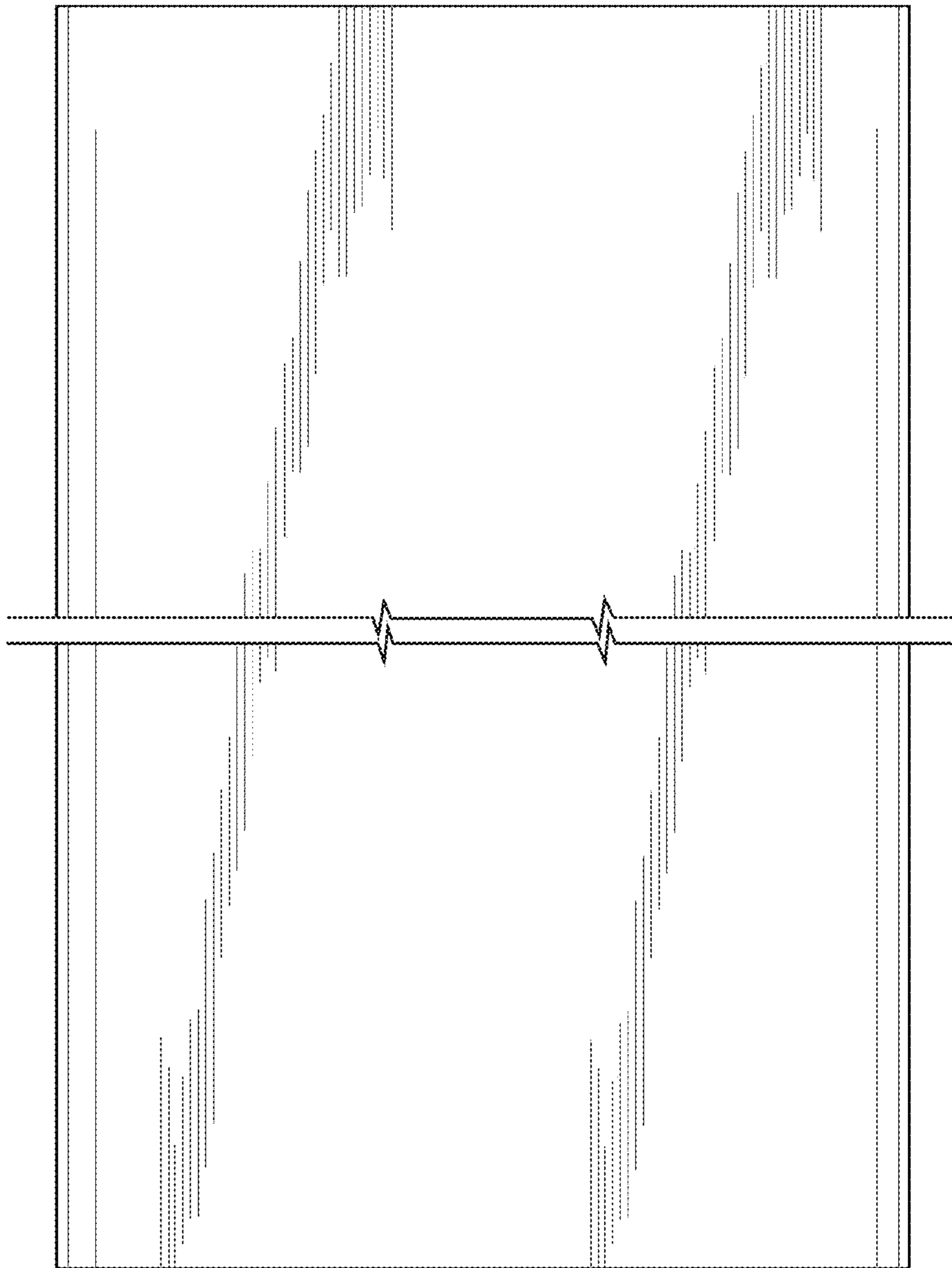


FIG. 8

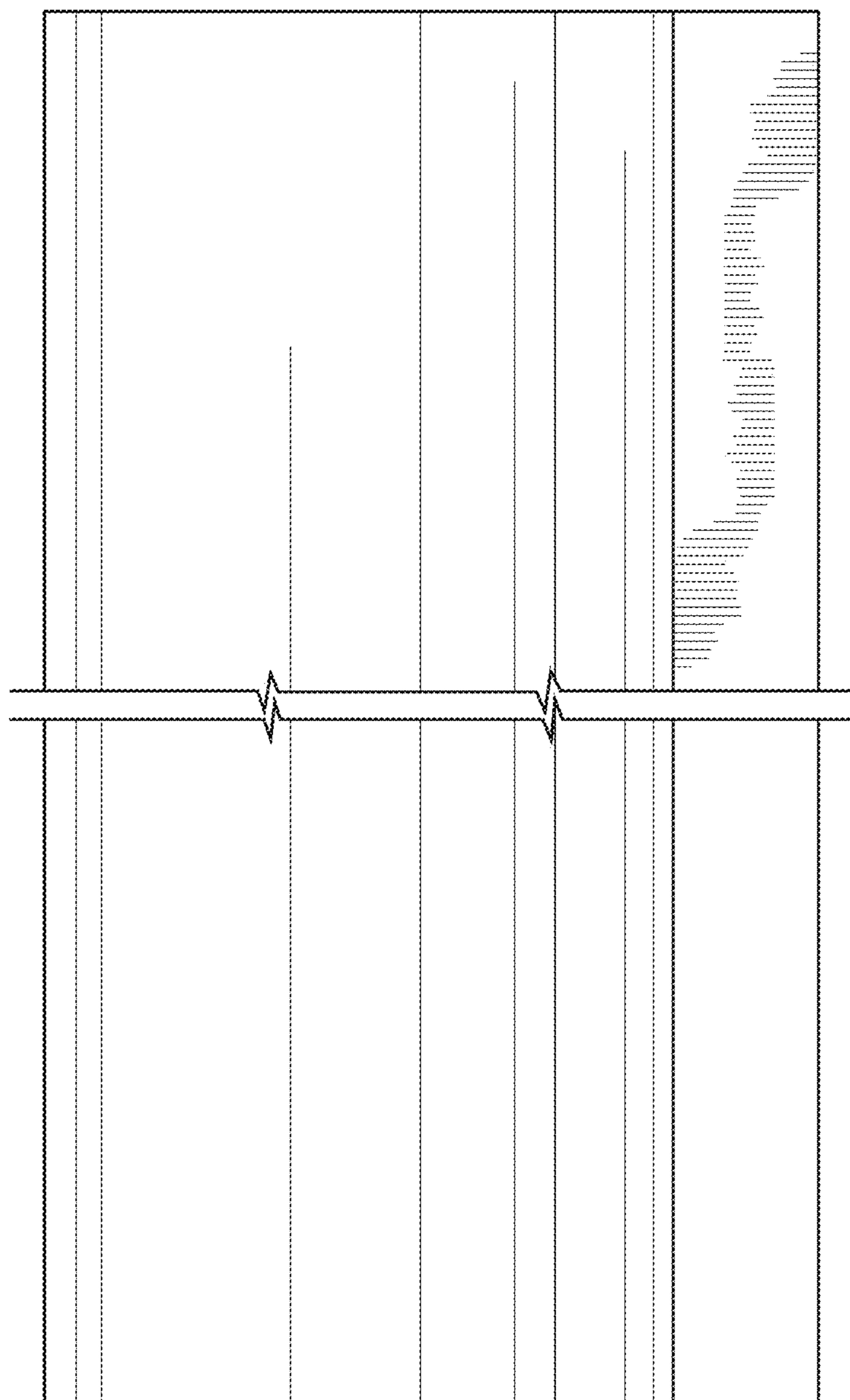


FIG. 9

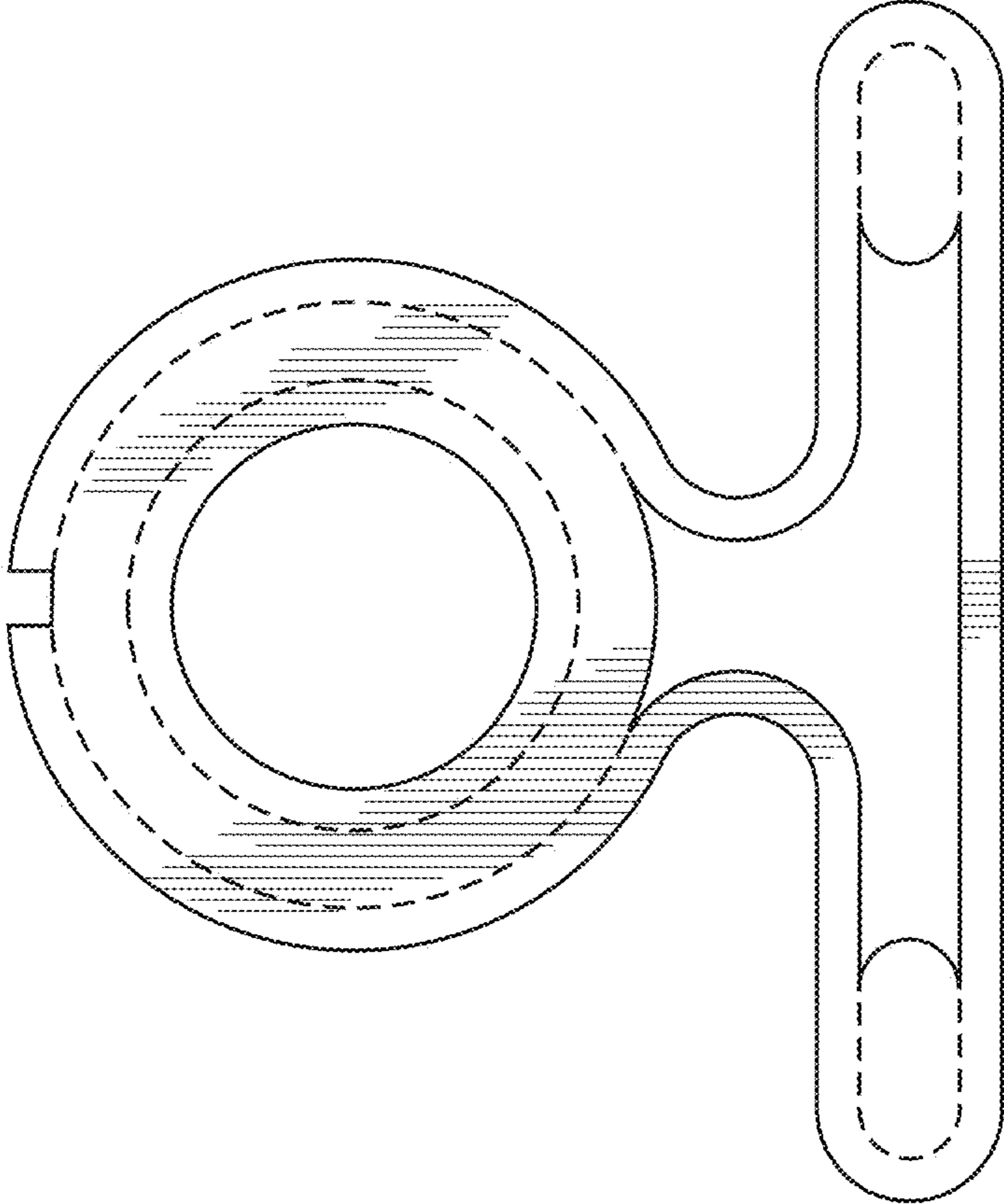


FIG. 10