

US00D707465S

(12) **United States Design Patent**
Hutchins

(10) **Patent No.:** **US D707,465 S**

(45) **Date of Patent:** **** Jun. 24, 2014**

(54) **RAIL-MOUNTED TOILET TISSUE HOLDER**

(71) Applicant: **Charles Stewart Hutchins**, Keystone Heights, FL (US)

(72) Inventor: **Charles Stewart Hutchins**, Keystone Heights, FL (US)

(**) Term: **14 Years**

(21) Appl. No.: **29/451,566**

(22) Filed: **Apr. 4, 2013**

(51) **LOC (10) Cl.** **23-02**

(52) **U.S. Cl.**
USPC **D6/523**

(58) **Field of Classification Search**
USPC D6/518-524, 546-550; 108/28-29;
211/13.1, 16, 60.1, 86.01, 87.01,
211/88.01, 88.04, 100, 105.1, 105.2, 123,
211/181.1, 182; 248/175, 176.1, 251, 302;
16/110.1, 415; 242/570, 590, 595-598,
242/598.1; D8/300, 303, 315-321; 4/300.1
See application file for complete search history.

(56) **References Cited**

U.S. PATENT DOCUMENTS

338,628	A	3/1886	Brin et al.	
5,529,260	A *	6/1996	Wirick	4/300.1
5,597,148	A	1/1997	Gospodarich	
D393,389	S *	4/1998	Thurston-Chartraw et al.	D6/523

D398,466	S *	9/1998	Odom	D6/521
5,901,921	A *	5/1999	Perlsweig	242/598.1
D424,668	S *	5/2000	Dangervil	D23/303
D427,829	S *	7/2000	Fleming	D6/523
D431,947	S *	10/2000	Kopcak et al.	D6/523
6,412,741	B1	7/2002	Olivero	
D540,591	S *	4/2007	Snell	D6/523
D600,478	S *	9/2009	Linyear et al.	D6/523
7,726,327	B2	6/2010	Battiston	
2008/0007020	A1	1/2008	Holman	
2009/0032657	A1	2/2009	Huang	

* cited by examiner

Primary Examiner — Brian N Vinson

(74) *Attorney, Agent, or Firm* — Daniel Boudwin; Global Intellectual Property LLC

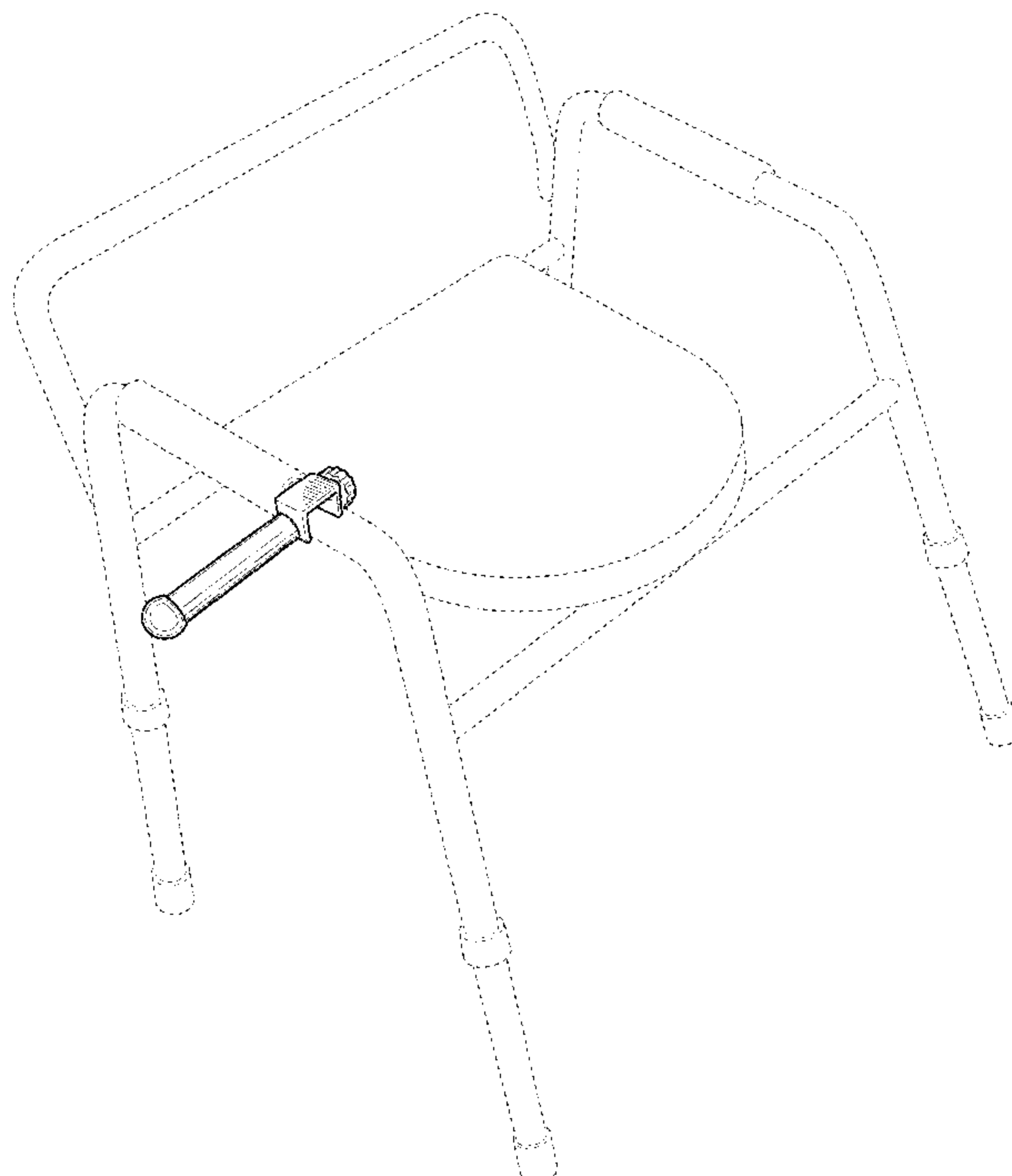
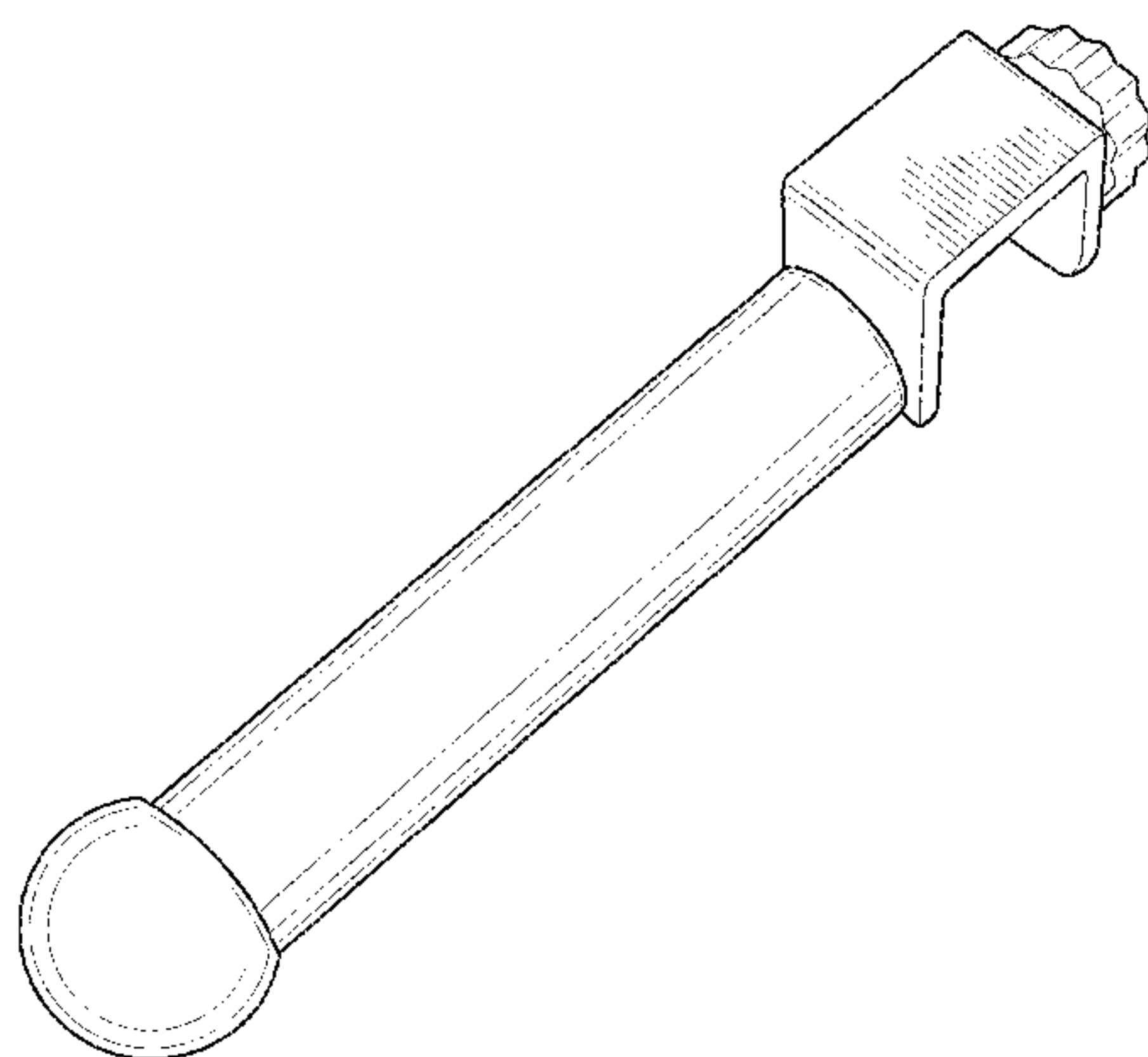
(57) **CLAIM**

The ornamental design for a rail-mounted toilet tissue holder, as shown and described.

DESCRIPTION

FIG. 1 shows a perspective view of a rail-mounted toilet tissue holder showing my new design;
FIG. 2 shows a front elevational view thereof;
FIG. 3 shows a rear elevational view thereof;
FIG. 4 shows a top plan view thereof;
FIG. 5 shows a bottom plan thereof;
FIG. 6 shows an end elevational view thereof;
FIG. 7 shows an opposite end elevational view thereof; and,
FIG. 8 shows a reduced perspective view thereof, with the broken-line disclosure of a toilet chair being for illustrative purposes only.

1 Claim, 5 Drawing Sheets



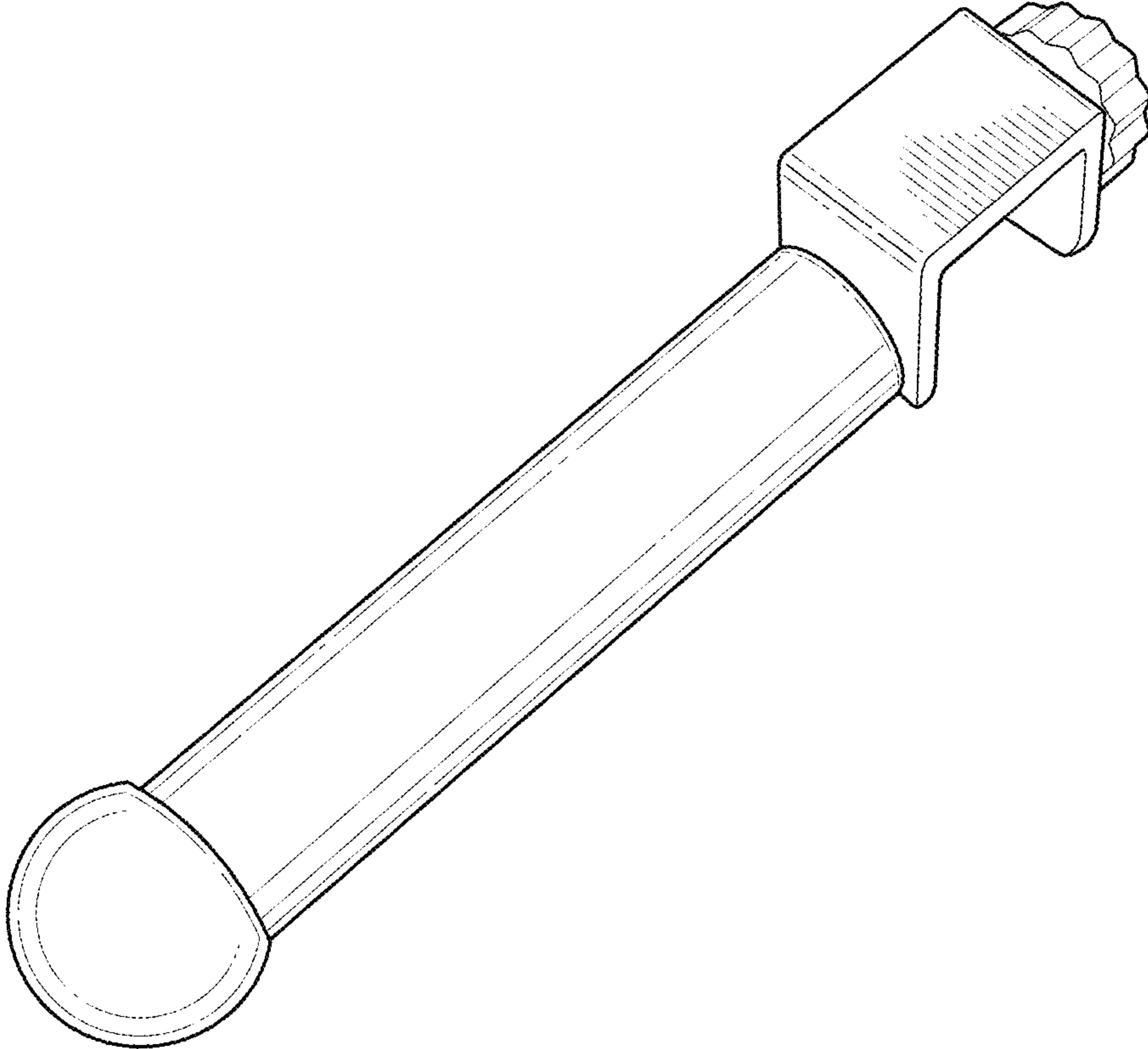


FIG. 1

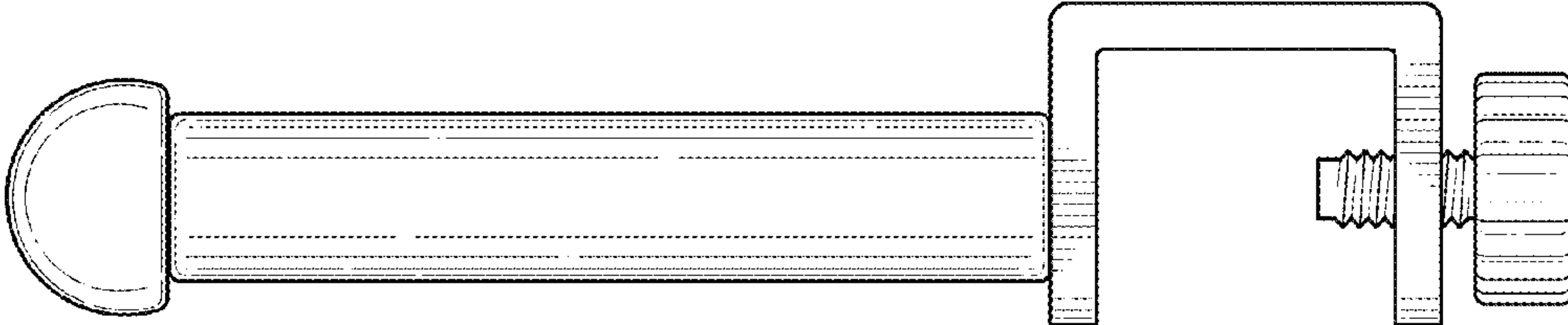


FIG. 2

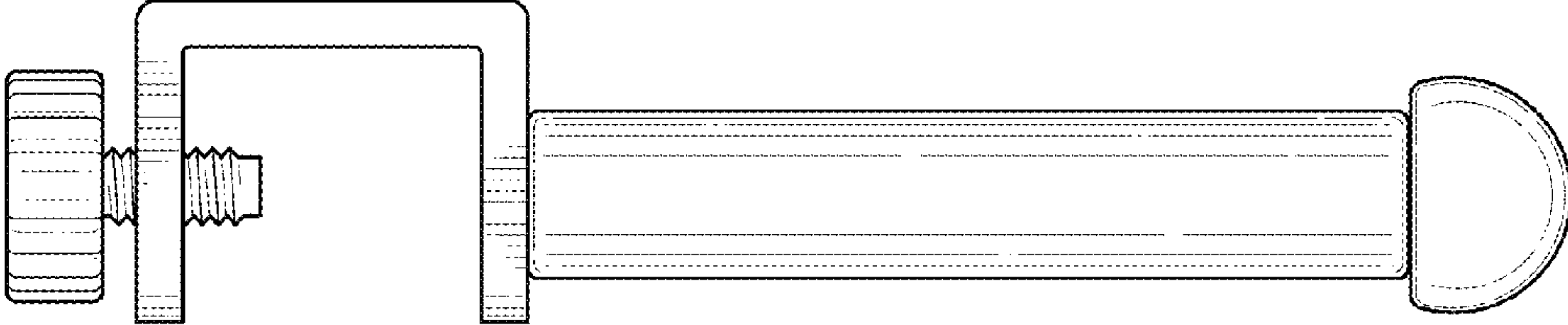


FIG. 3

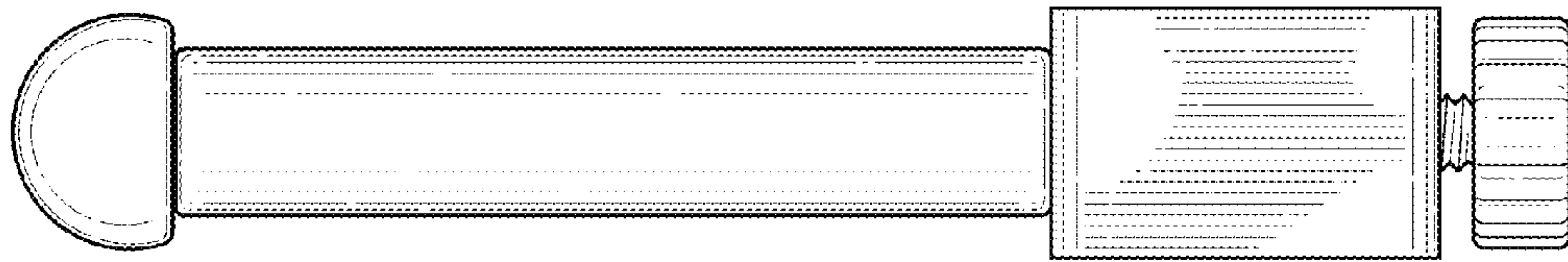


FIG. 4

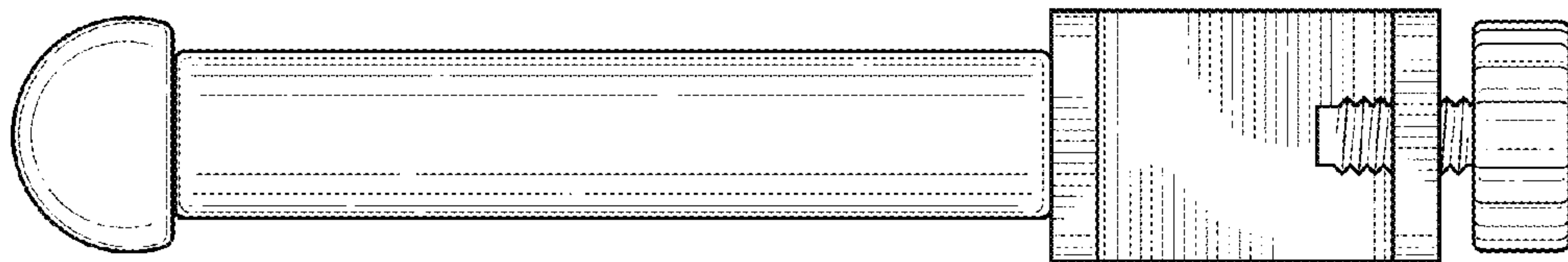


FIG. 5

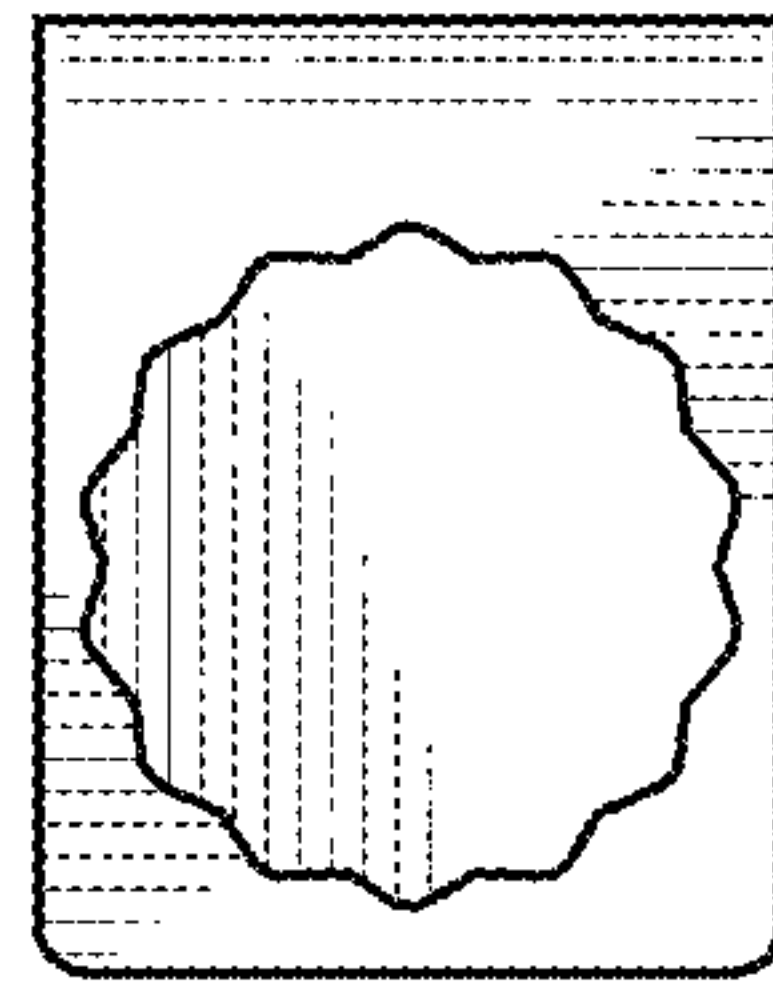


FIG. 6

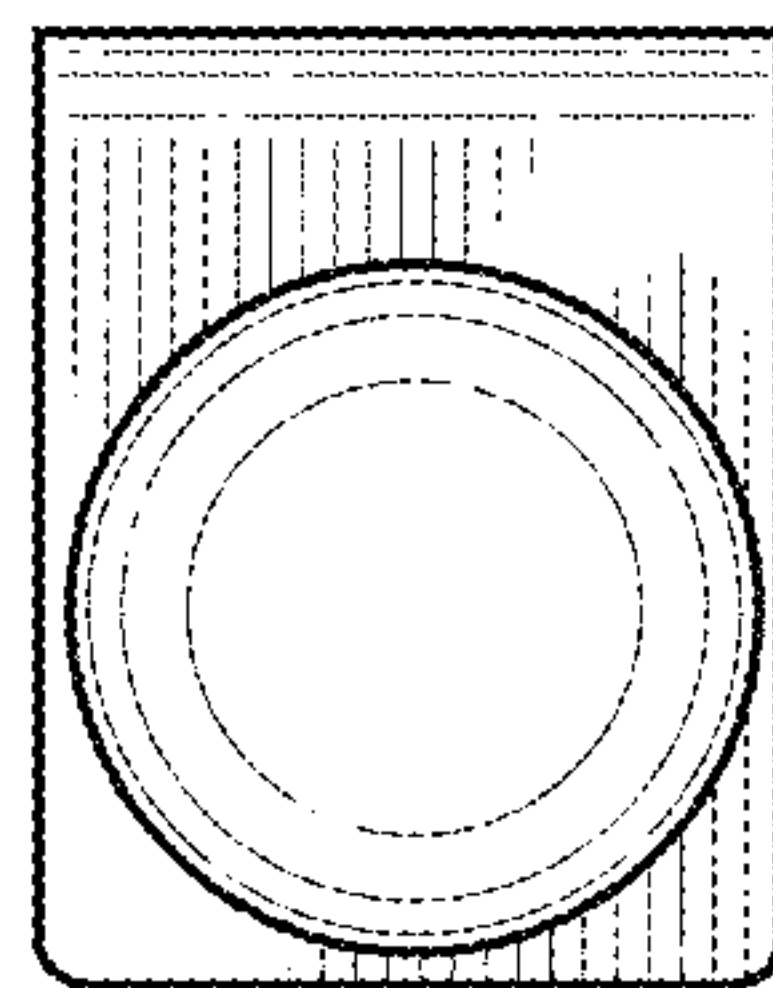


FIG. 7

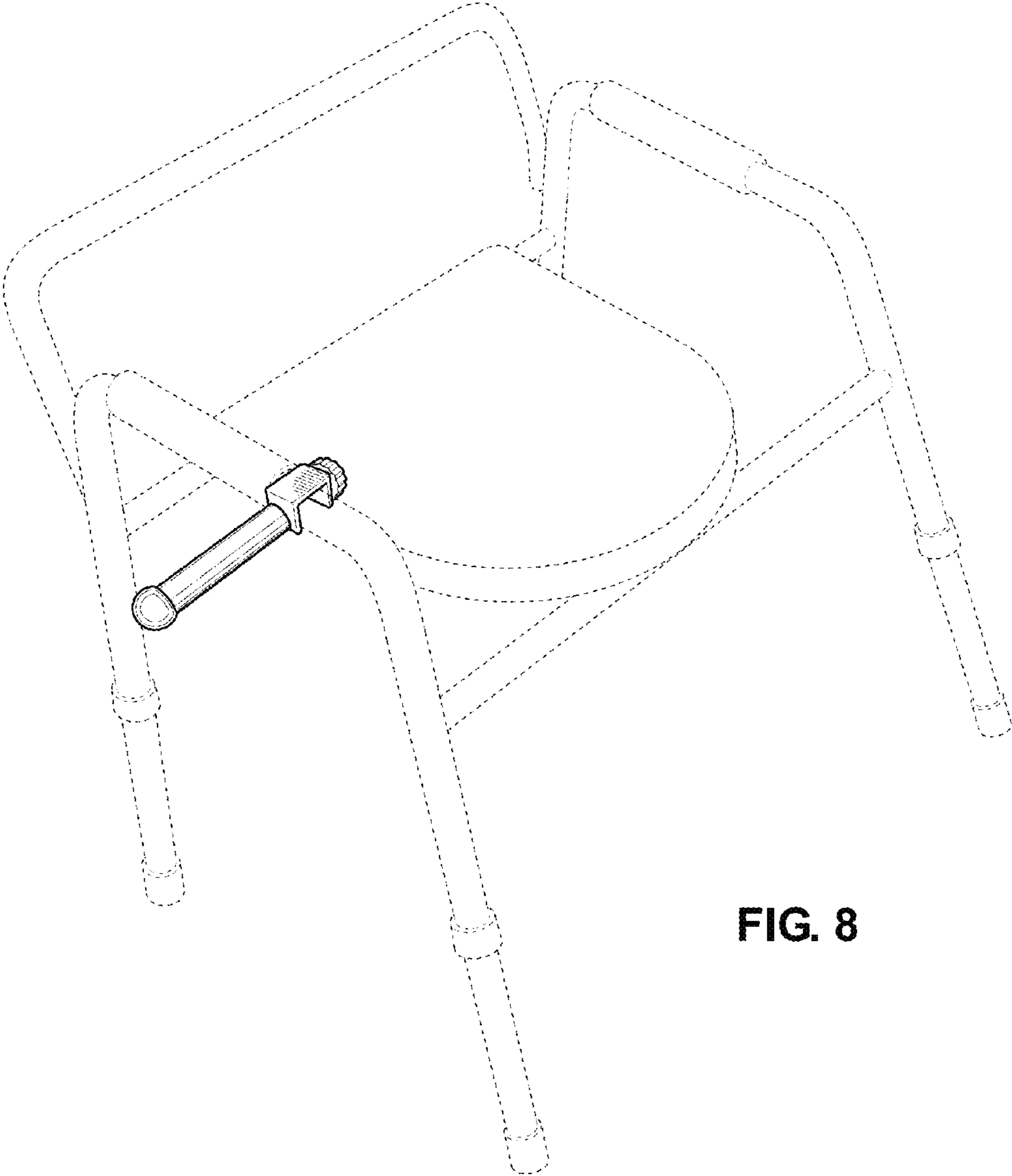


FIG. 8