



US00D707464S

(12) **United States Design Patent**  
**Cute**

(10) **Patent No.:** **US D707,464 S**

(45) **Date of Patent:** **\*\* \*Jun. 24, 2014**

(54) **DECORATIVE POT HOLDER**

(56) **References Cited**

(71) Applicant: **Sun Hill Industries, Inc.**, Fairfield, CA  
(US)

U.S. PATENT DOCUMENTS

(72) Inventor: **Joseph E. Cute**, Geneva, IL (US)

D36,086 S *	9/1902	Olsen	.....	D6/403
D63,046 S *	9/1923	Stuck	.....	D6/403
D250,686 S *	1/1979	Ashcraft	.....	D6/458
D402,431 S *	12/1998	Peterson	.....	D25/100
D415,366 S *	10/1999	Walters-Dowding et al.	..	D6/403
D434,247 S *	11/2000	Rosenberg	.....	D6/403
D457,251 S *	5/2002	Conde	.....	D25/100
D497,494 S *	10/2004	Tseng	.....	D6/403
D545,079 S *	6/2007	Peterson	.....	D6/403
D589,719 S *	4/2009	Cute	.....	D6/404
D589,720 S *	4/2009	Cute	.....	D6/404
D658,906 S *	5/2012	Cute	.....	D6/403

(73) Assignee: **Sun Hill Industries, Inc.**, Fairfield, CA  
(US)

(\* ) Notice: This patent is subject to a terminal disclaimer.

(\*\*) Term: **14 Years**

\* cited by examiner

(21) Appl. No.: **29/464,035**

*Primary Examiner* — Garth Rademaker

(22) Filed: **Aug. 12, 2013**

(74) *Attorney, Agent, or Firm* — Riverside Law LLP

**Related U.S. Application Data**

(62) Division of application No. 29/433,402, filed on Sep. 28, 2012.

(51) **LOC (10) Cl.** ..... **11-02**

(52) **U.S. Cl.**  
USPC ..... **D6/403**

(58) **Field of Classification Search**  
USPC ..... D6/403-405, 556-558; D8/1;  
D11/143-156, 164; D19/77, 80, 81,  
D19/84; D25/100; D26/9-11, 16, 19;  
D34/1, 2, 4-6; D99/5, 19; 47/17, 32.4,  
47/32.5, 32.7, 33, 39, 41.01, 41.1,  
47/41.11-41.15, 44-47, 65, 65.5, 65.9,  
47/66.1, 66.2, 66.6, 66.7, 67-71

See application file for complete search history.

(57) **CLAIM**

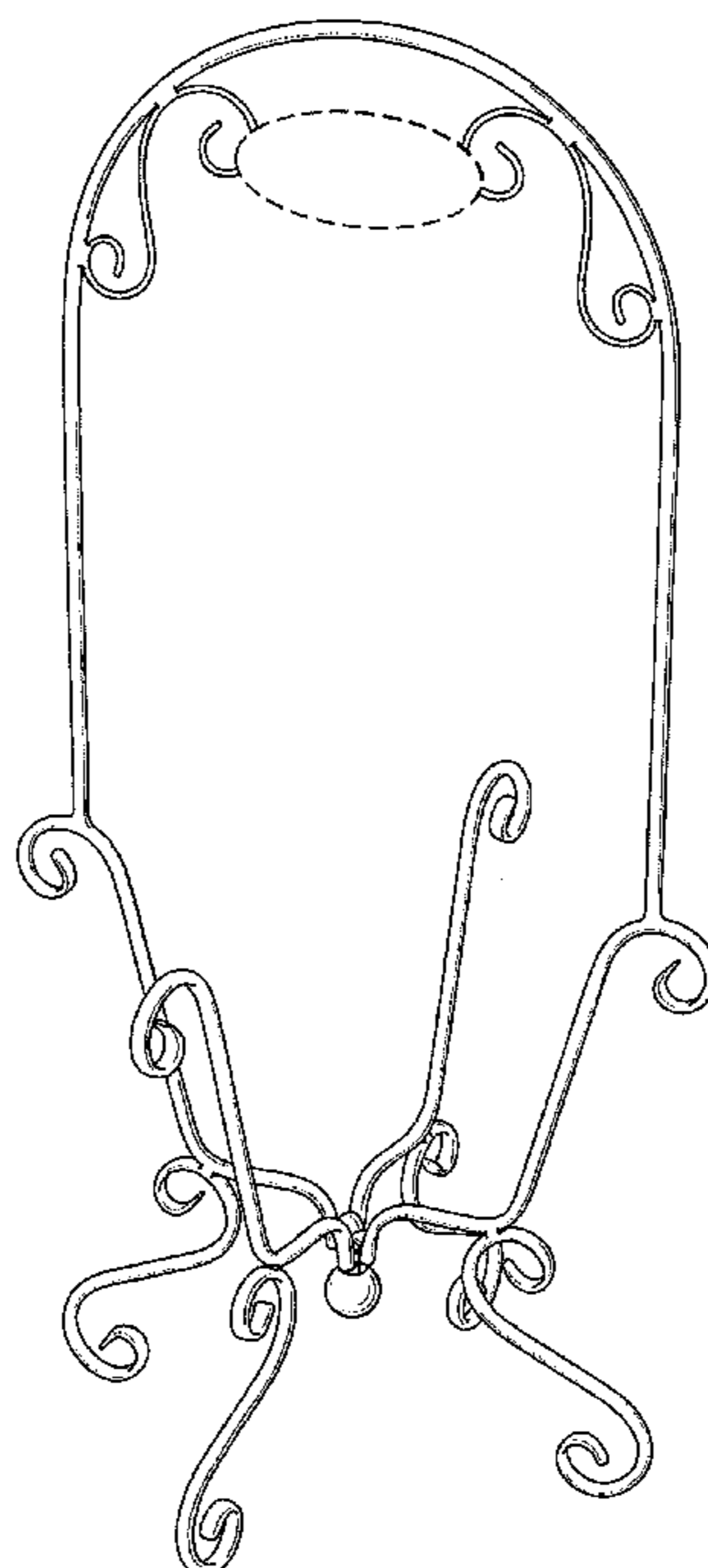
I claim the ornamental design for a decorative pot holder, as shown and described.

**DESCRIPTION**

FIG. 1 is a perspective view of a decorative pot holder;  
FIG. 2 is a front view thereof;  
FIG. 3 is a rear view thereof;  
FIG. 4 is a right side view thereof;  
FIG. 5 is a left side view thereof;  
FIG. 6 is a top view thereof;  
FIG. 7 is a bottom view thereof; and,  
FIG. 8 is a perspective view thereof, shown in an environment of use.

The broken lines depict environmental subject matter only and form no part of the claimed design.

**1 Claim, 5 Drawing Sheets**



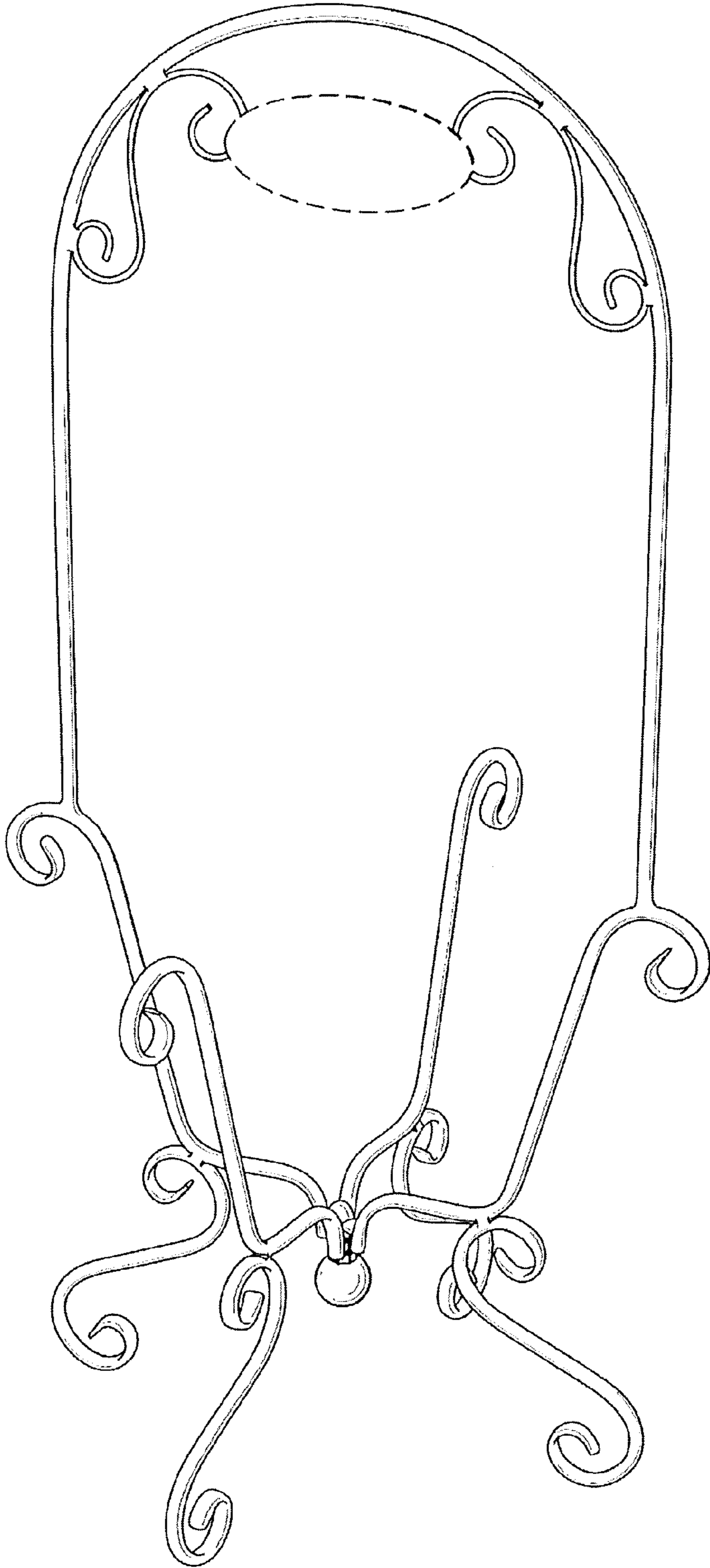


Fig. 1

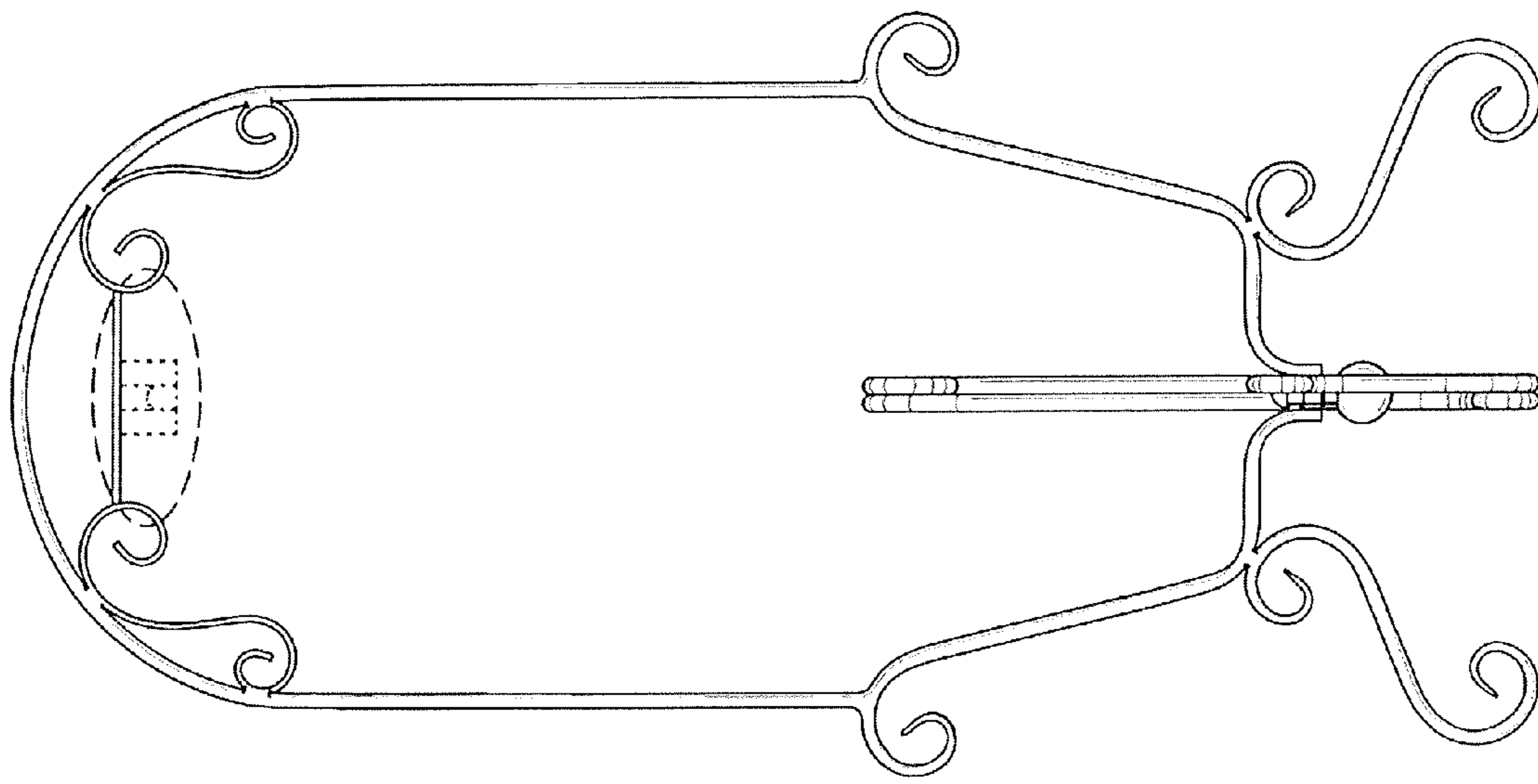


Fig. 3

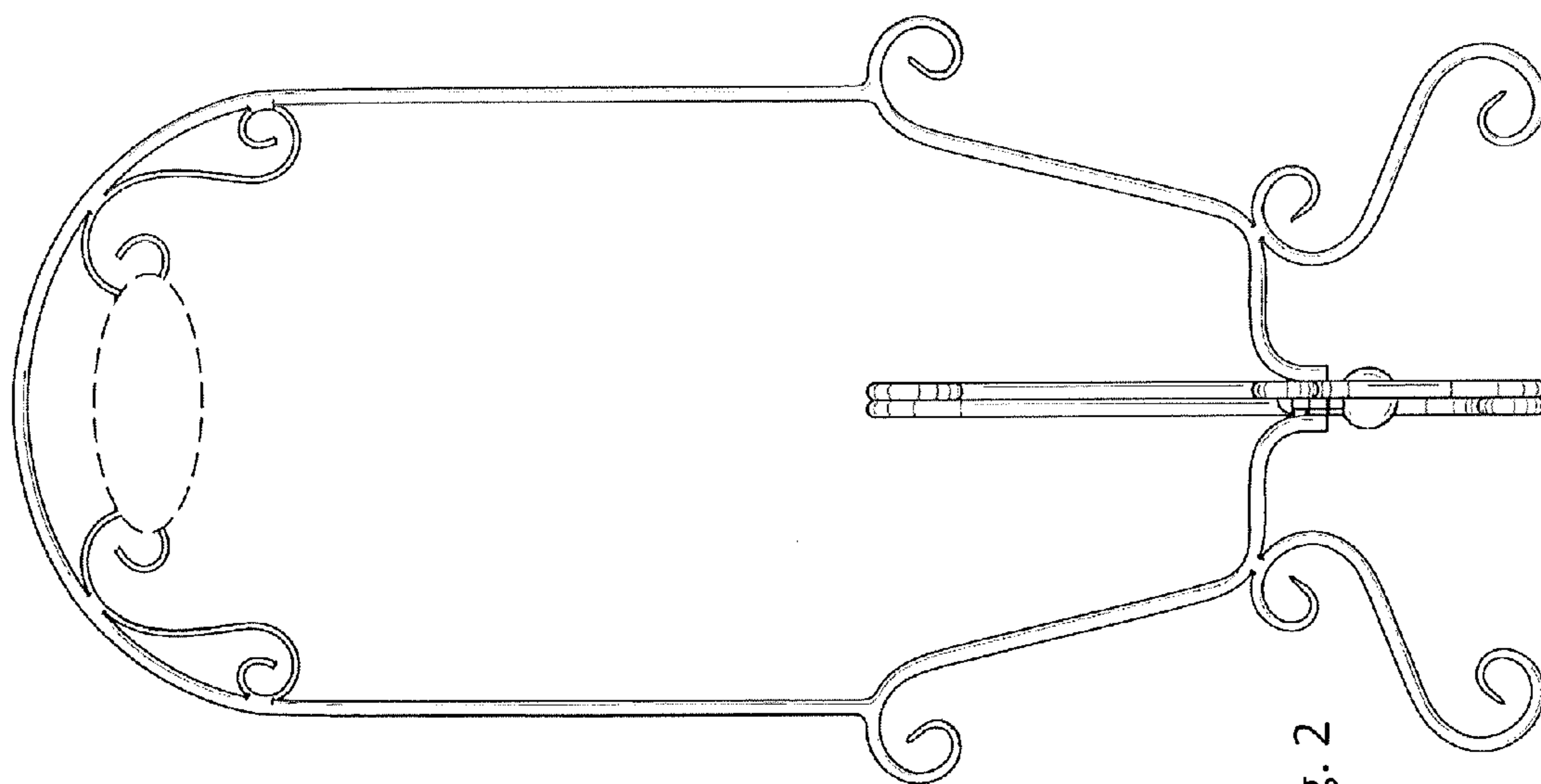


Fig. 2

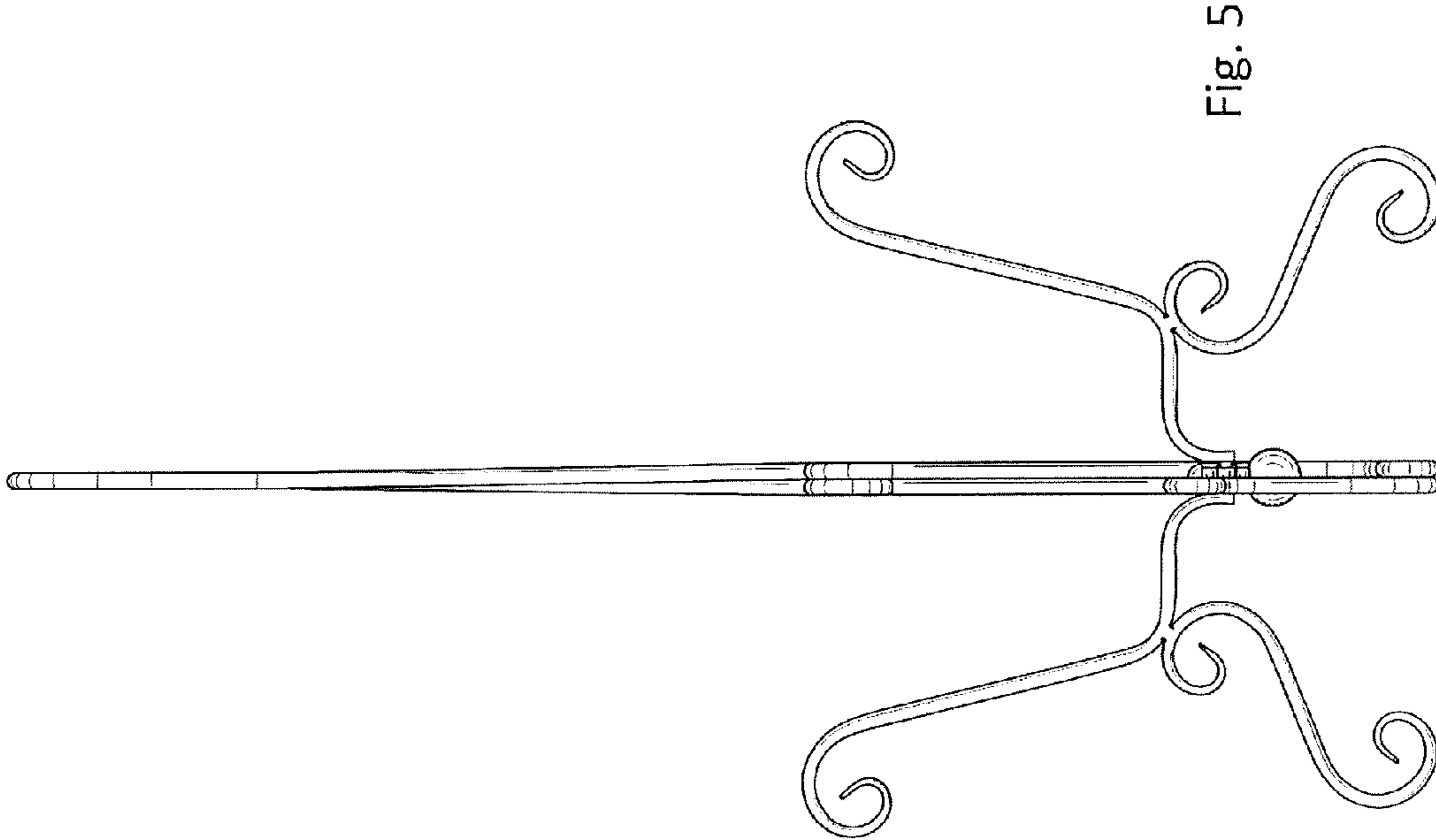


Fig. 5

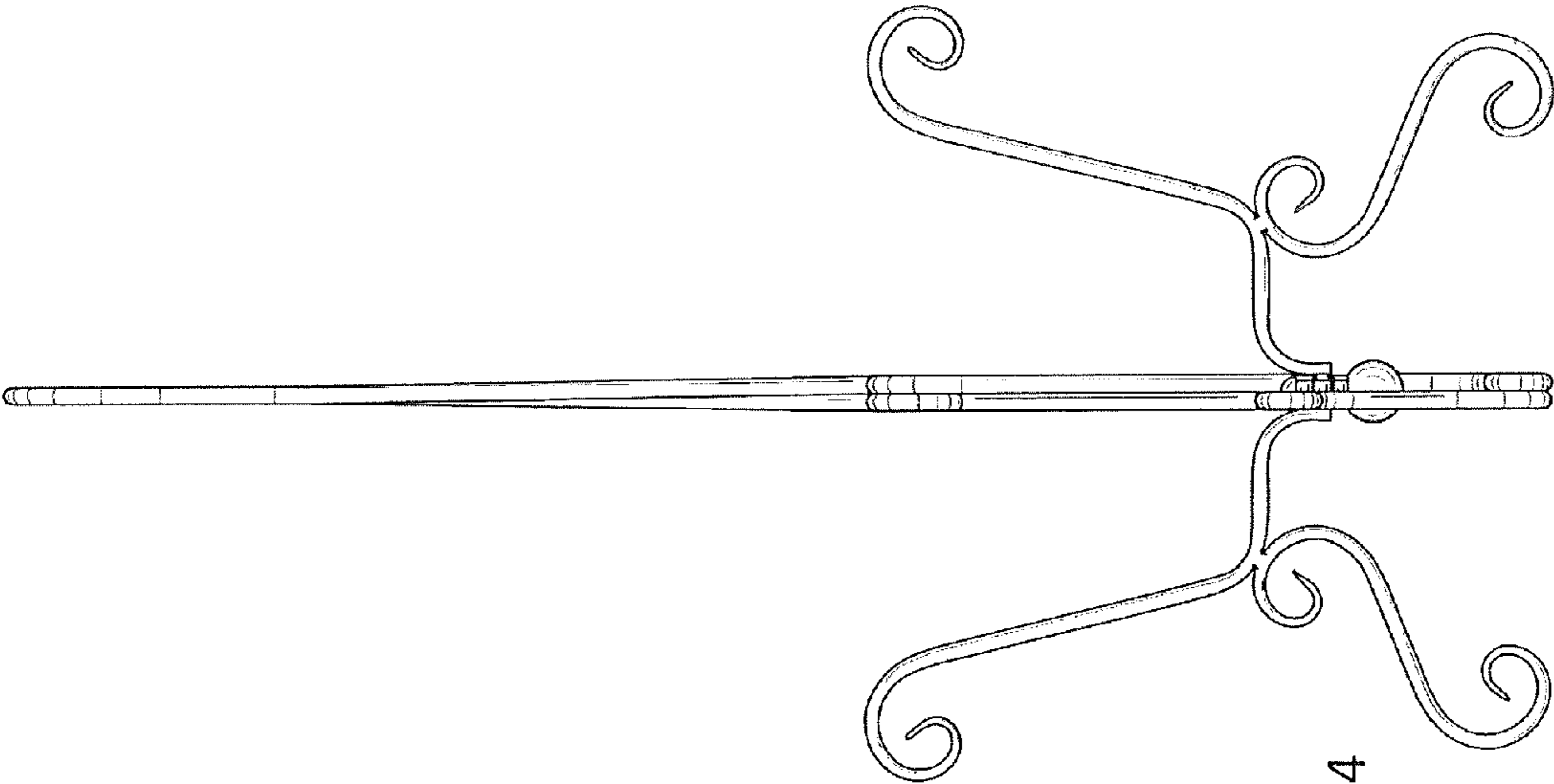


Fig. 4

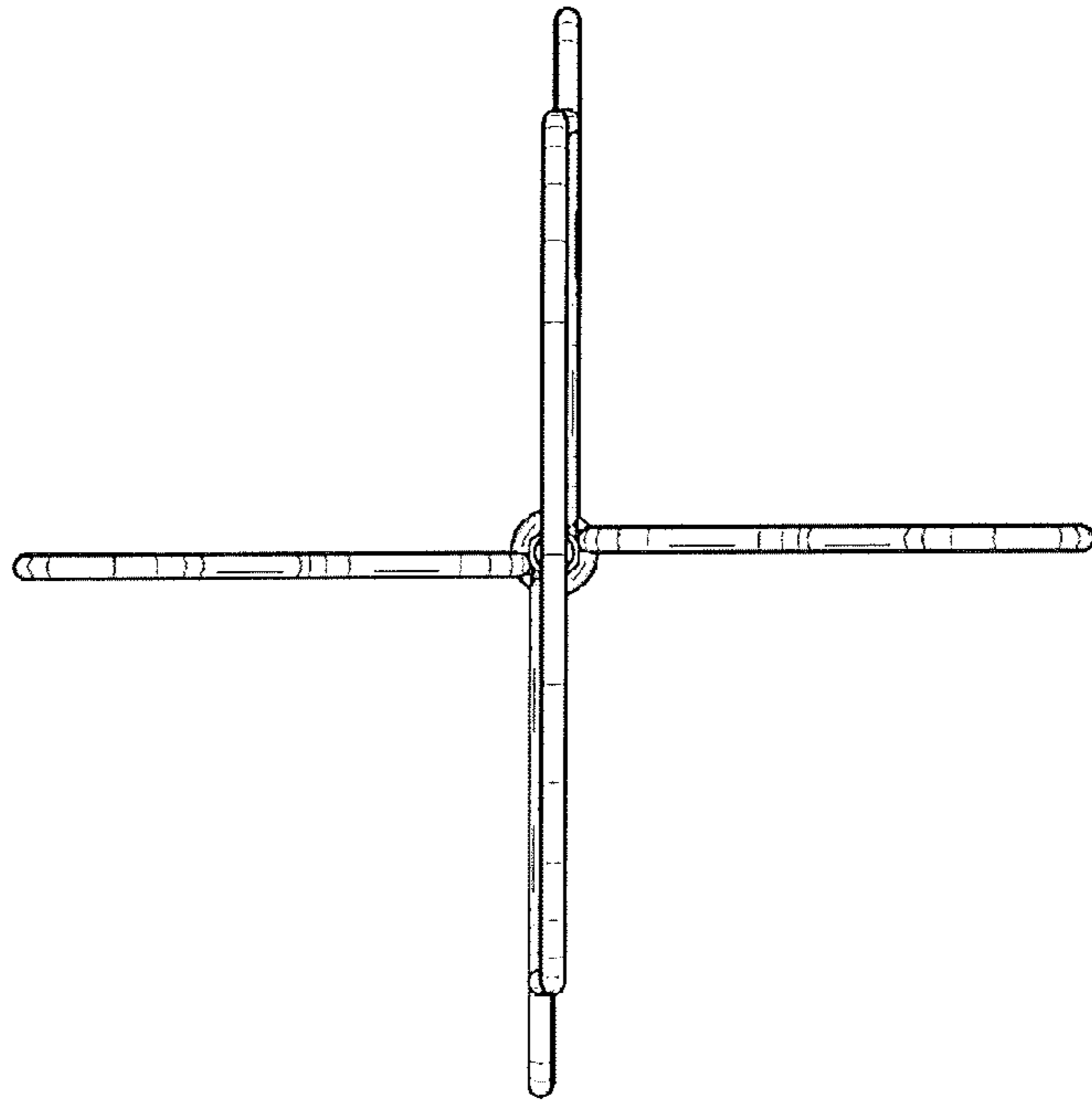


Fig. 6

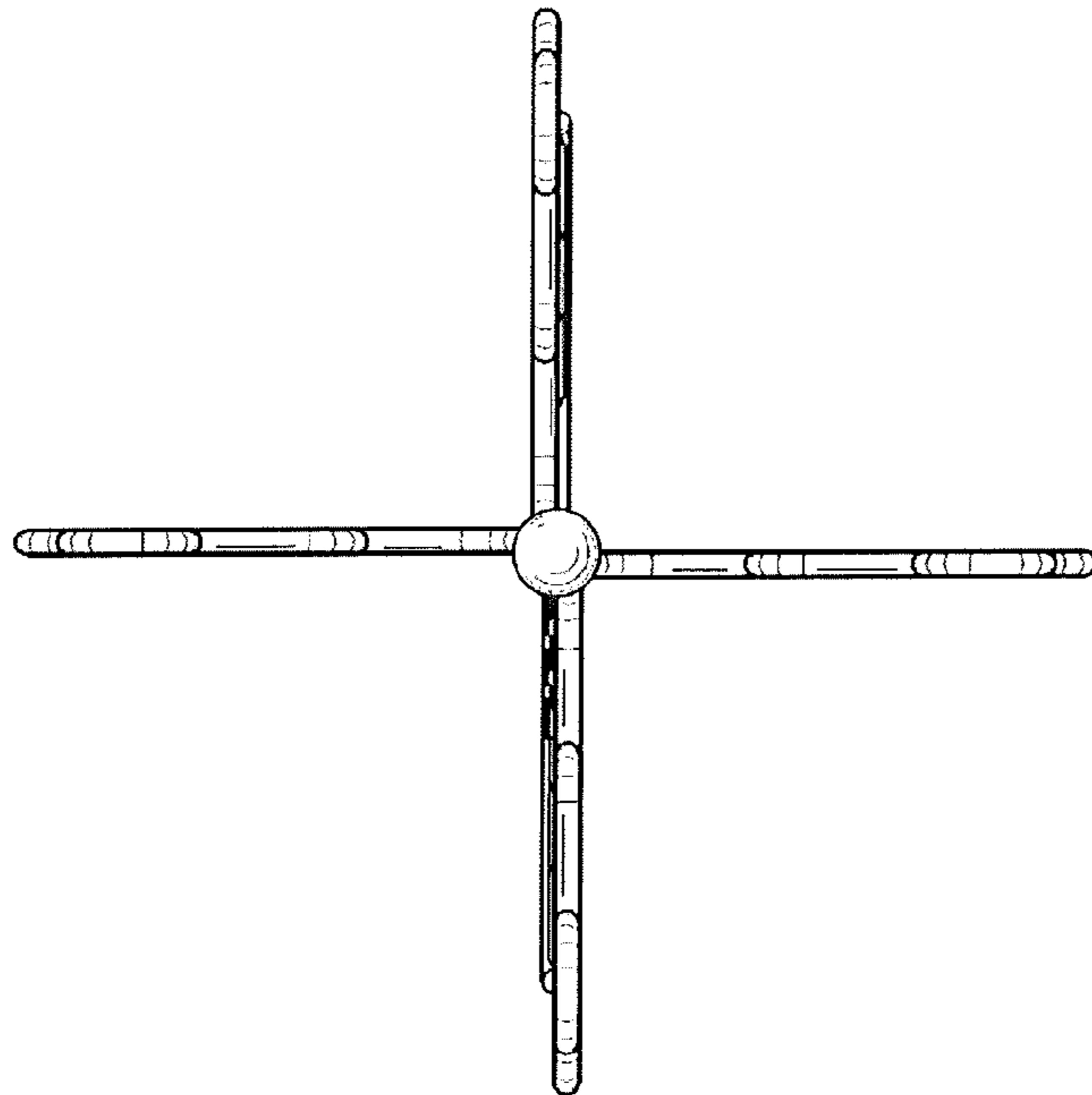


Fig. 7

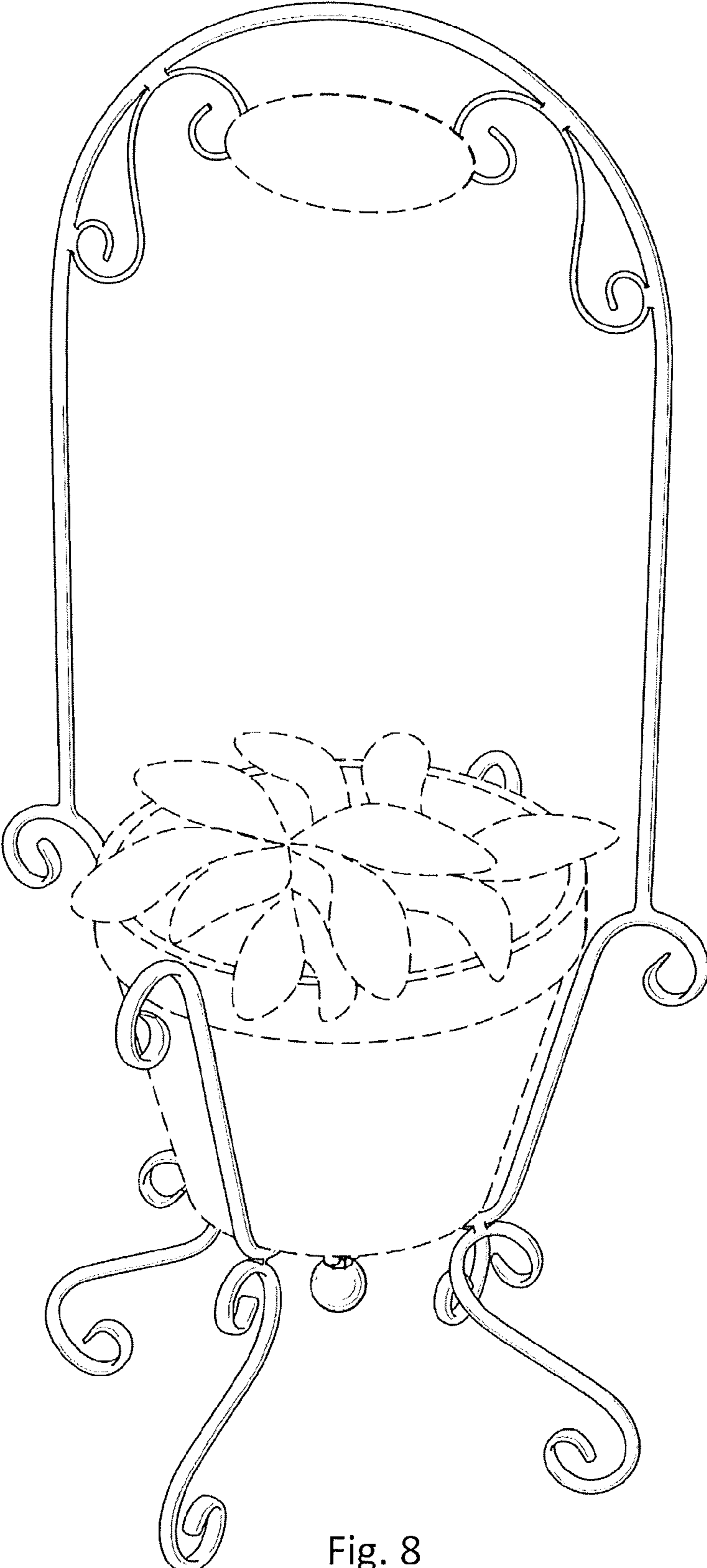


Fig. 8