



US00D707463S

(12) **United States Design Patent**
McCarty et al.

(10) **Patent No.:** **US D707,463 S**

(45) **Date of Patent:** **** Jun. 24, 2014**

(54) **ADJUSTABLE BED**

(56) **References Cited**

(71) Applicants: **Ruoey Lung Enterprise Corp.**,
Lu-Kang Town, Changhua County (TW);
PPJ. LLC, Natick, MA (US)

U.S. PATENT DOCUMENTS

(72) Inventors: **Philip Woods McCarty**, Natick, MA
(US); **Philip Reid Sherman**, Melville,
NY (US); **Chuan-Hang Shih**, Lu-Kang
Town (TW)

D192,910	S	*	5/1962	Sundberg et al.	D6/392
3,644,946	A	*	2/1972	Swatt	5/616
D255,402	S	*	6/1980	Lundgren	D6/382
6,276,011	B1	*	8/2001	Antinori	5/618
7,047,579	B2	*	5/2006	Piana et al.	5/411
D657,156	S	*	4/2012	Shih	D6/392
8,539,625	B2	*	9/2013	Poulos et al.	5/658
2005/0011005	A1	*	1/2005	Borda	5/412
2012/0124744	A1	*	5/2012	Hornbach et al.	5/611

(73) Assignees: **Ruoey Lung Enterprise Corp.**,
Lu-Kang Town, Changhua County (TW);
PPJ. LLC, Natick, MA (US)

* cited by examiner

(**) Term: **14 Years**

Primary Examiner — Janice Seeger

(21) Appl. No.: **29/448,589**

(74) *Attorney, Agent, or Firm* — Muncy, Geissler, Olds &
Lowe, P.C.

(22) Filed: **Mar. 13, 2013**

(57) **CLAIM**

(51) **LOC (10) Cl.** **06-02**

The ornamental design for an adjustable bed, as shown and
described.

(52) **U.S. Cl.**
USPC **D6/392; D6/361**

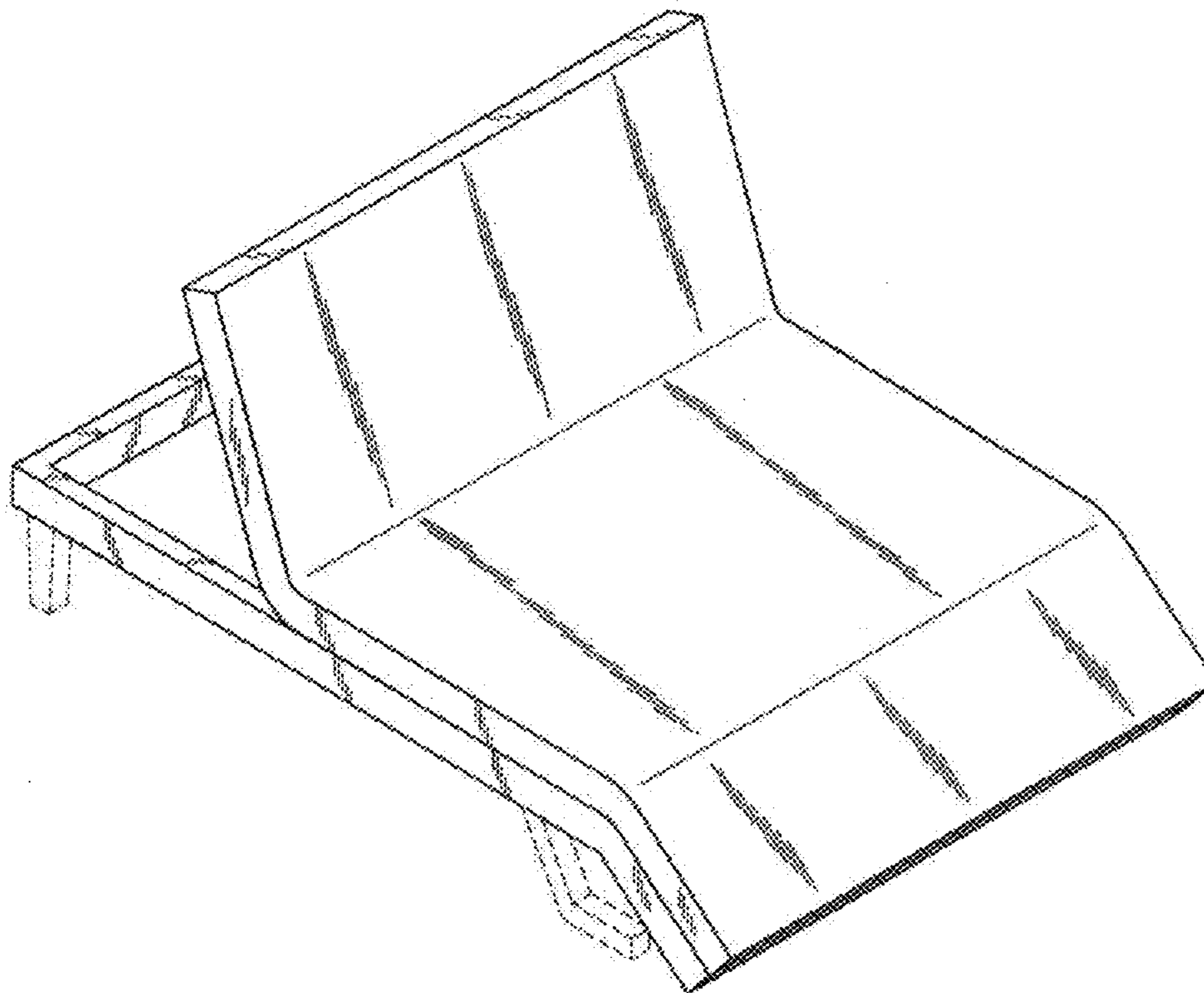
DESCRIPTION

(58) **Field of Classification Search**
USPC D6/382–384, 392–395, 702, 605, 361;
5/53.1, 279.1, 280, 281, 907, 613, 616,
5/618, 722, 412, 411

FIG. 1 shows a perspective view of the present design.
FIG. 2 shows a front view of the present design; and,
FIG. 3 is a schematic drawing showing that the adjustable bed
of the present design is adjusted to a flat posture.
The broken lines showing of structural feature is indeed for
the purpose of illustrating non-claimed subject matter and
forms no part of the claimed design.

See application file for complete search history.

1 Claim, 3 Drawing Sheets



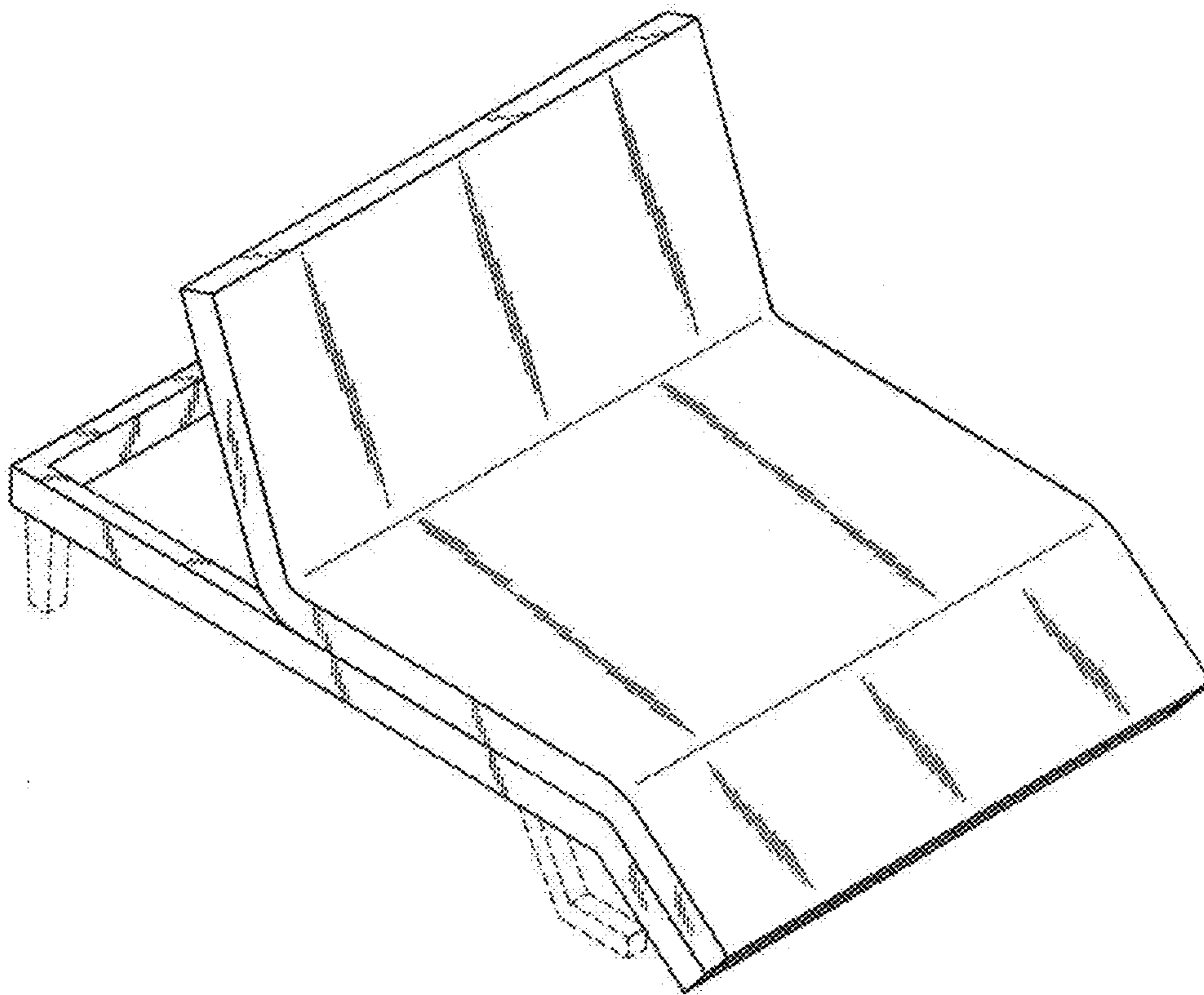


FIG. 1

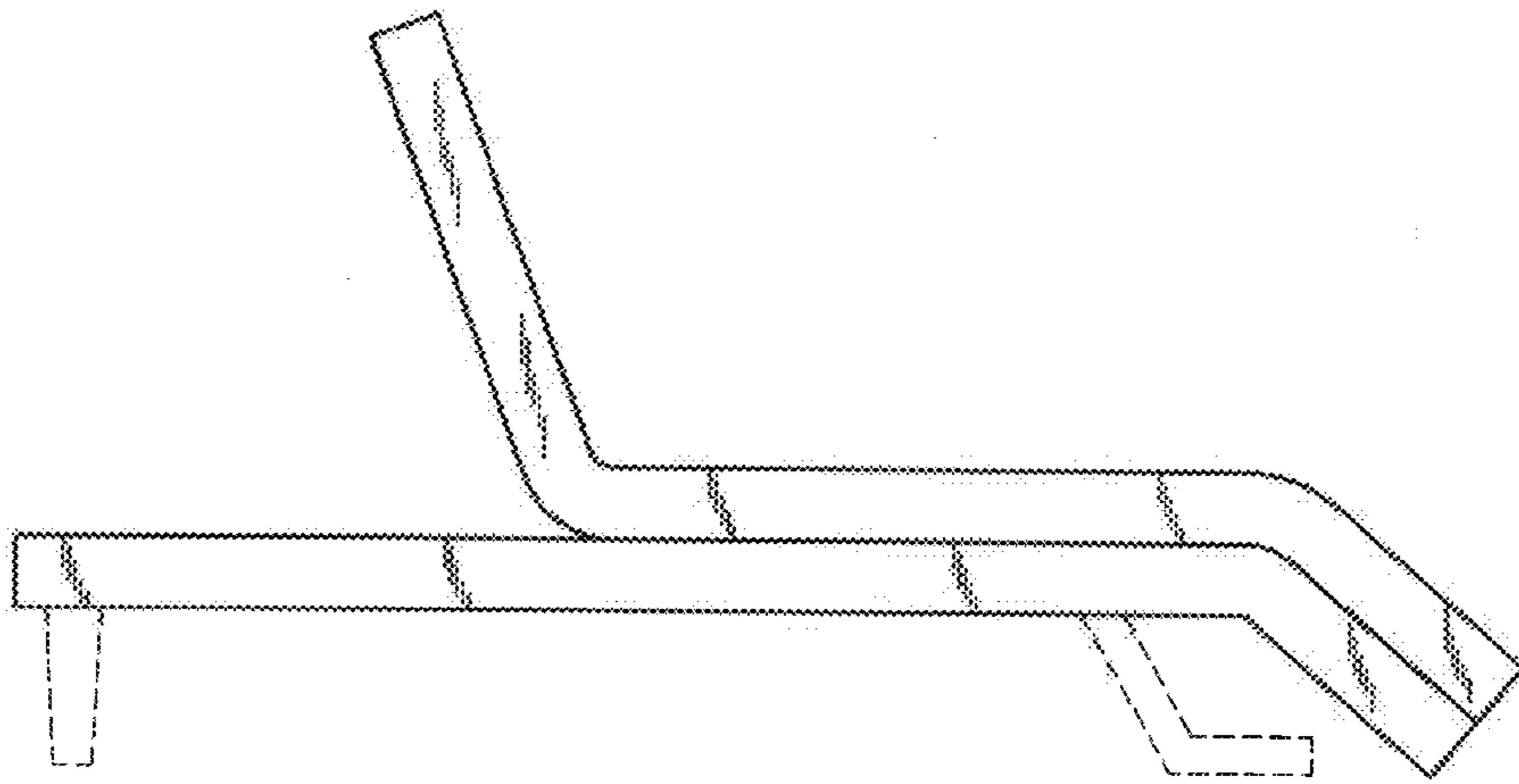


FIG. 2

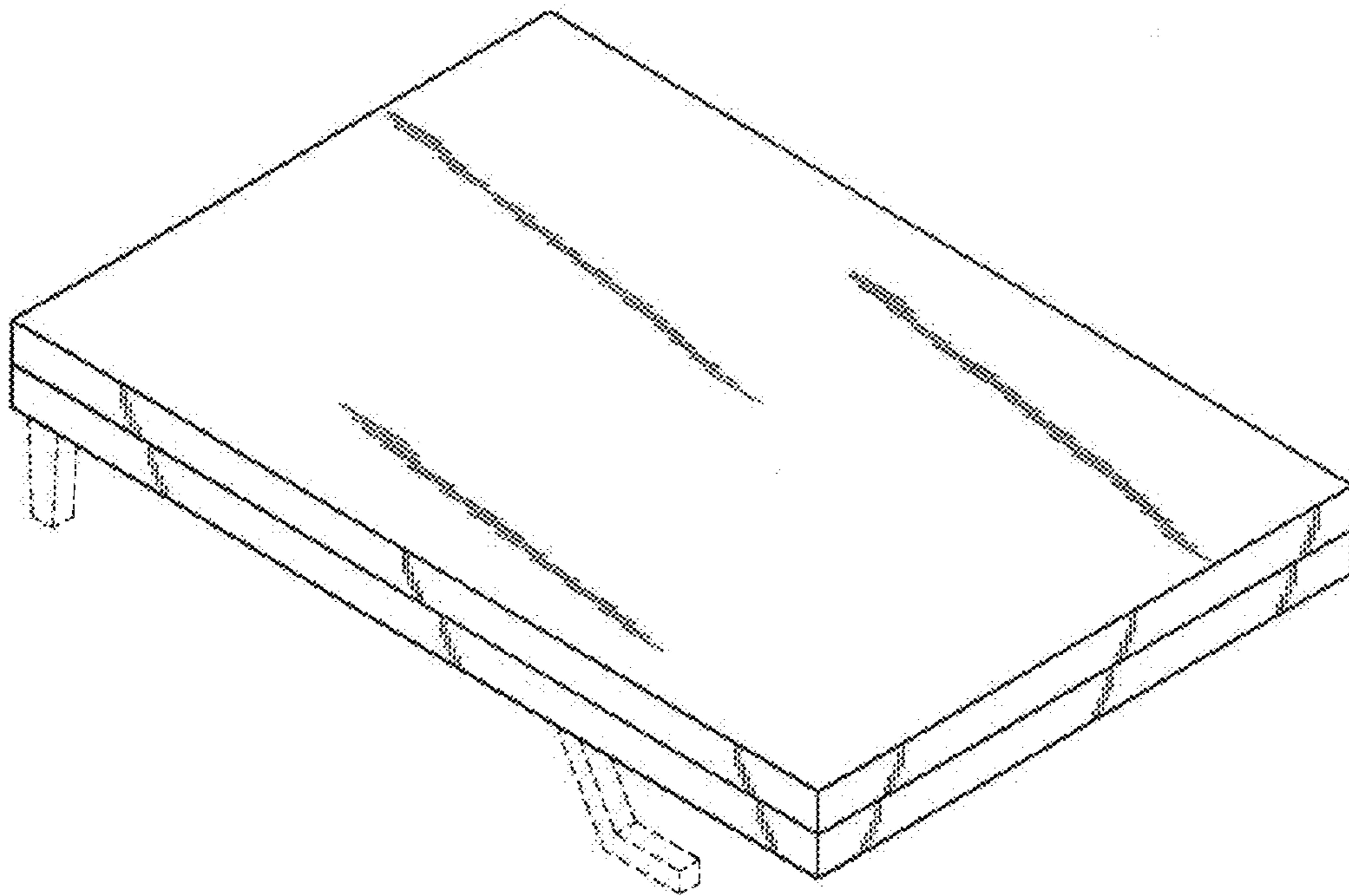


FIG. 3