



US00D707462S

(12) **United States Design Patent**  
**McCarty et al.**

(10) **Patent No.:** **US D707,462 S**

(45) **Date of Patent:** **\*\* \*Jun. 24, 2014**

- (54) **ADJUSTABLE ELECTRICAL BED**
- (75) Inventors: **Philip McCarty**, Natick, MA (US);  
**Philip Sherman**, Melville, NY (US);  
**Chuan-Hang Shih**, Changhua County (TW)
- (73) Assignees: **Ruoey Lung Enterprise Corp.**,  
Lu-Kang Town, Changhua County (TW);  
**PPJ. LLC**, Natick, MA (US)
- (\*) Notice: This patent is subject to a terminal disclaimer.
- (\*\*) Term: **14 Years**
- (21) Appl. No.: **29/429,264**
- (22) Filed: **Aug. 8, 2012**
- (51) **LOC (10) Cl.** ..... **06-02**
- (52) **U.S. Cl.**  
USPC ..... **D6/392**
- (58) **Field of Classification Search**  
USPC ..... D6/595, 596, 601, 605, 382-384, 392,  
D6/361; 5/600, 607, 613, 616, 618, 620,  
5/149, 420, 722  
See application file for complete search history.

- (56) **References Cited**  
U.S. PATENT DOCUMENTS  
D255,402 S \* 6/1980 Lundgren ..... D6/382  
5,926,877 A \* 7/1999 Lin ..... 5/618

D657,158 S *	4/2012	McCarty et al.	.....	D6/392
D657,586 S *	4/2012	McCarty et al.	.....	D6/392
D663,543 S *	7/2012	McCarty et al.	.....	D6/392
D663,544 S *	7/2012	McCarty et al.	.....	D6/392
D674,211 S *	1/2013	McCarty et al.	.....	D6/392
2008/0120777 A1 *	5/2008	Rawls-Meehan	.....	5/600
2010/0186168 A1 *	7/2010	Harrison	.....	5/616
2010/0287704 A1 *	11/2010	Hibler	.....	5/613

\* cited by examiner

*Primary Examiner* — Janice Seeger

(74) *Attorney, Agent, or Firm* — Muncy, Geissler, Olds & Lowe, P.C.

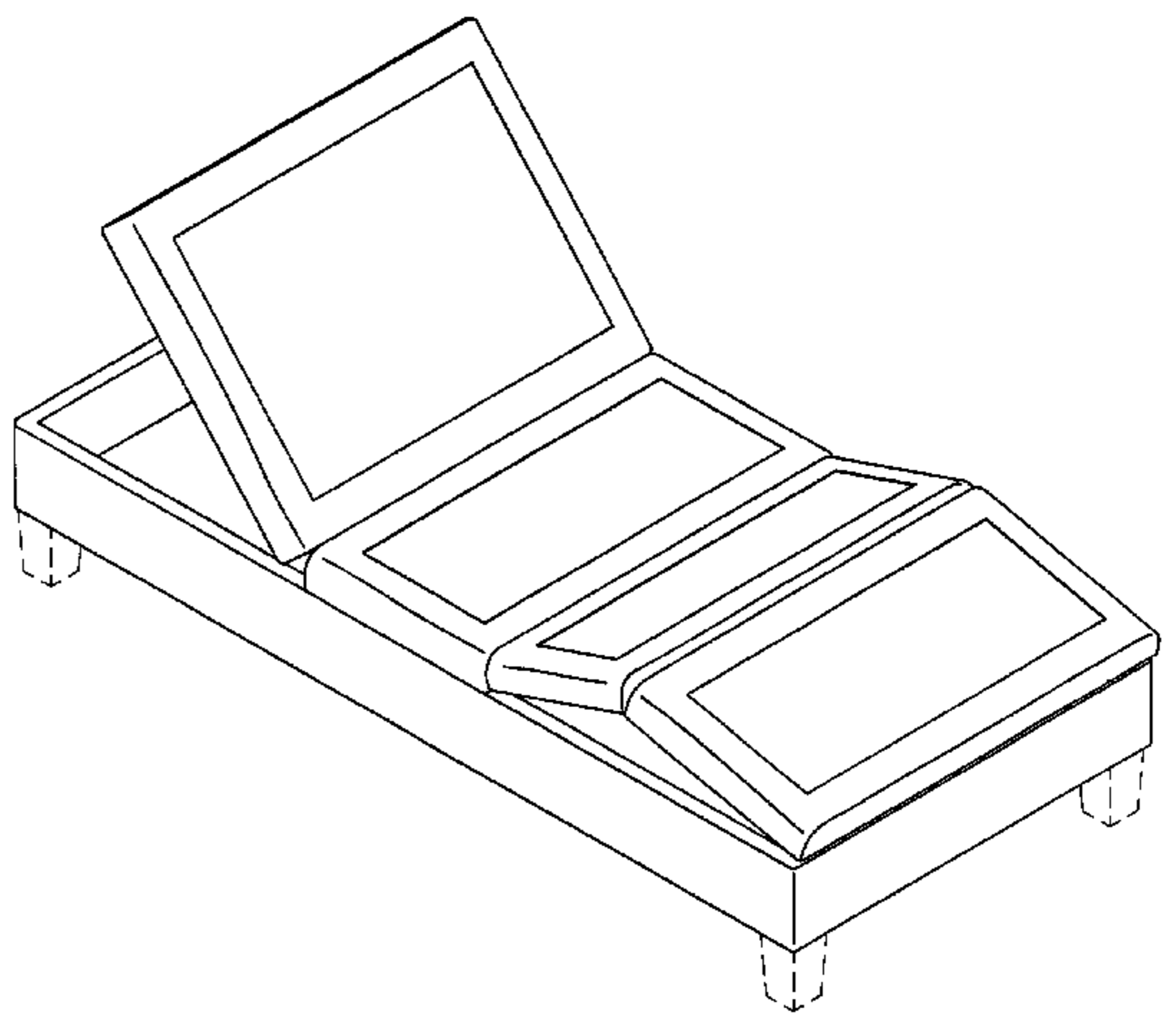
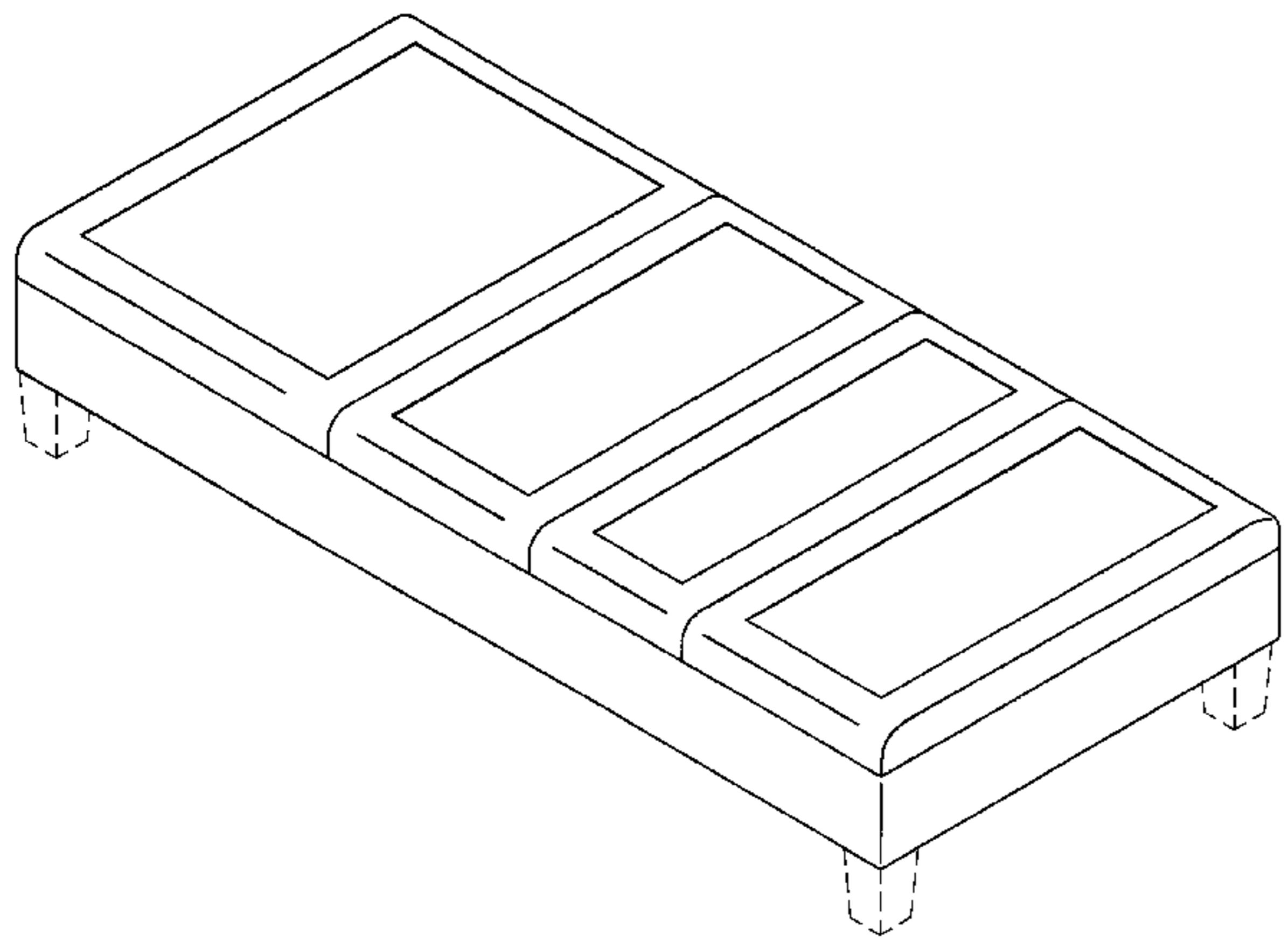
(57) **CLAIM**  
The ornamental design for an adjustable electrical bed, as shown and described.

**DESCRIPTION**

FIG. 1 shows a perspective view of the present design. FIG. 2 shows a top view of the present design. FIG. 3 shows a front view of the present design, which is symmetrical to the rear view of the present design. FIG. 4 shows a right view of the present design, which is the same as the left view of the present design; and, FIG. 5 is a perspective view showing the bed is in a folded condition.

The broken lines showing of structural feature is indeed for the purpose of illustrating non-claimed subject matter and forms no part of the claimed design.

**1 Claim, 5 Drawing Sheets**



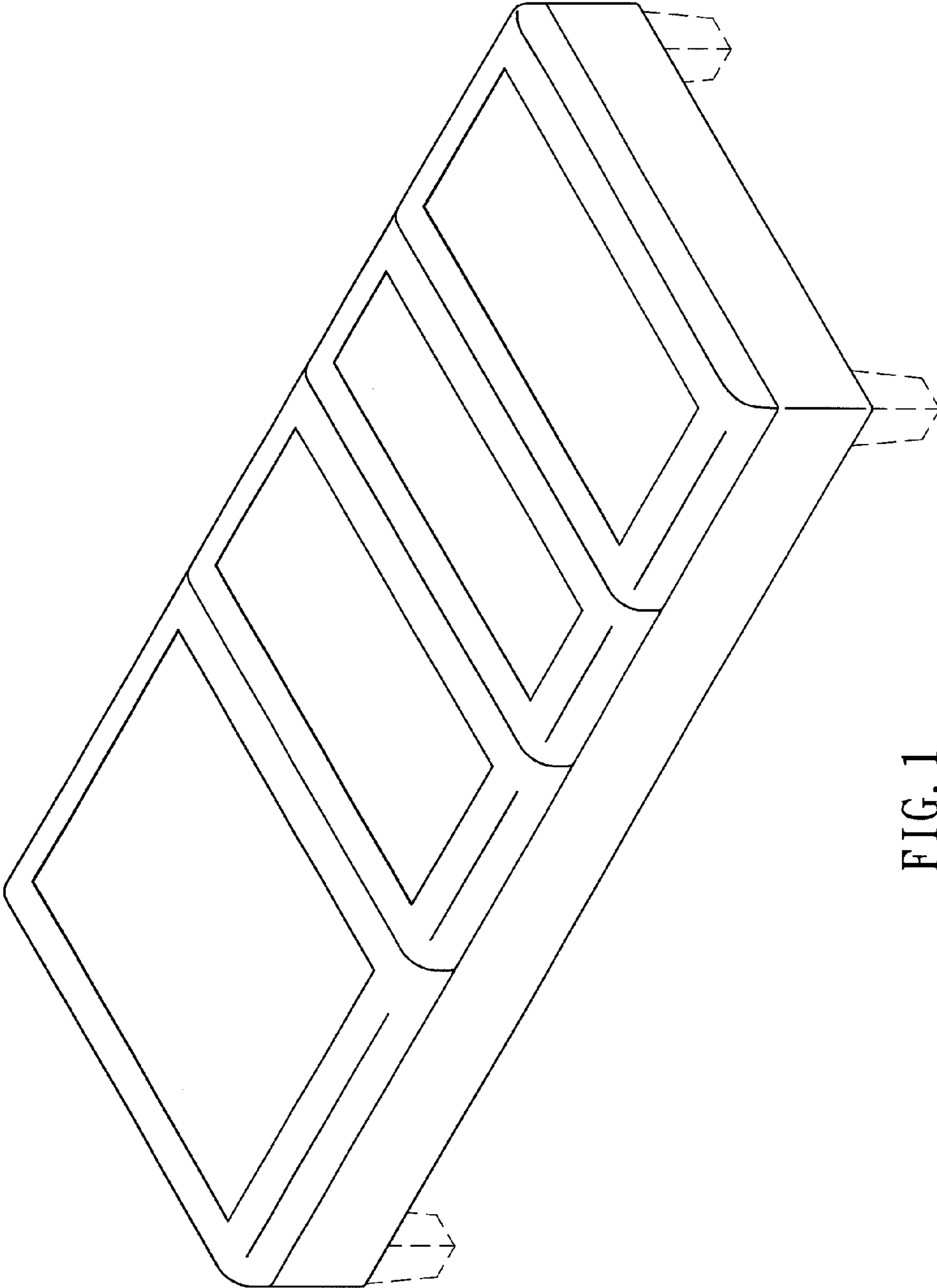


FIG. 1

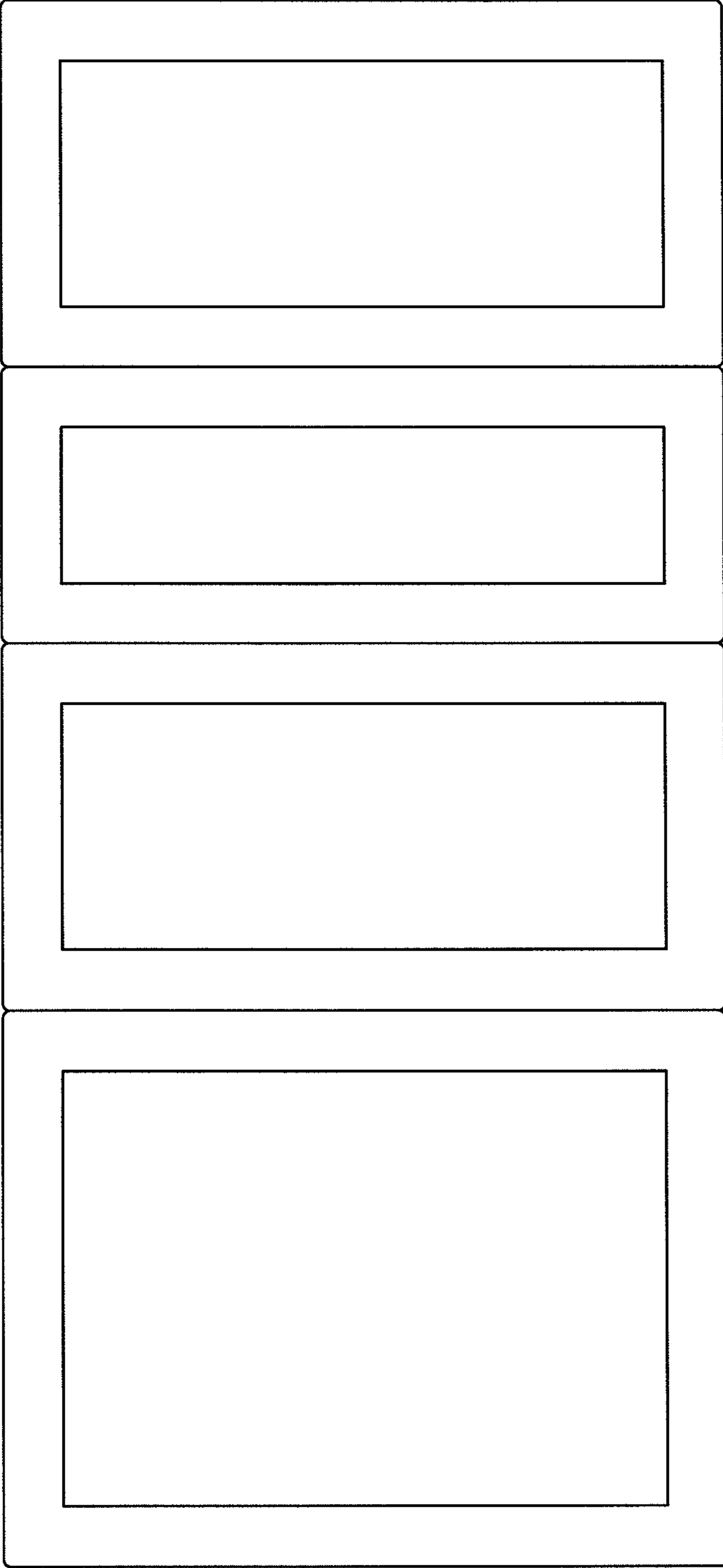


FIG. 2

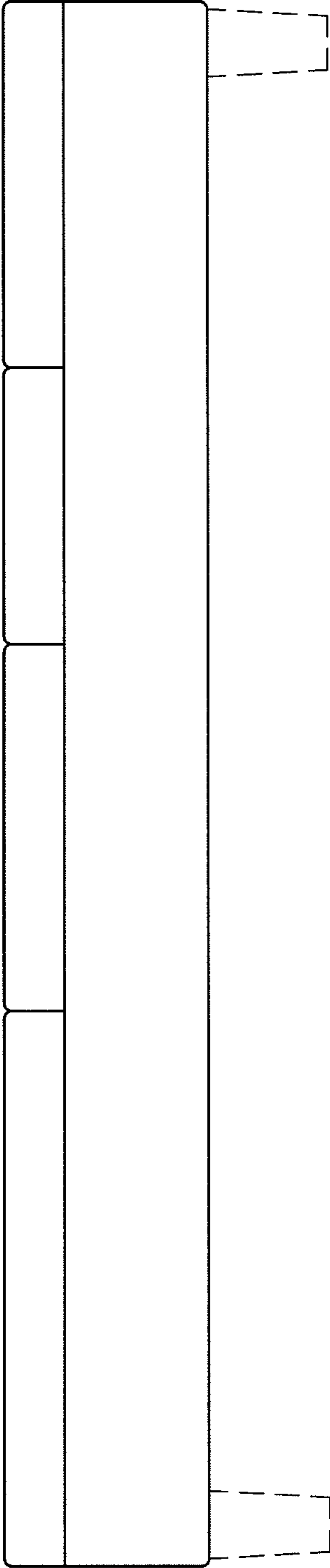


FIG. 3

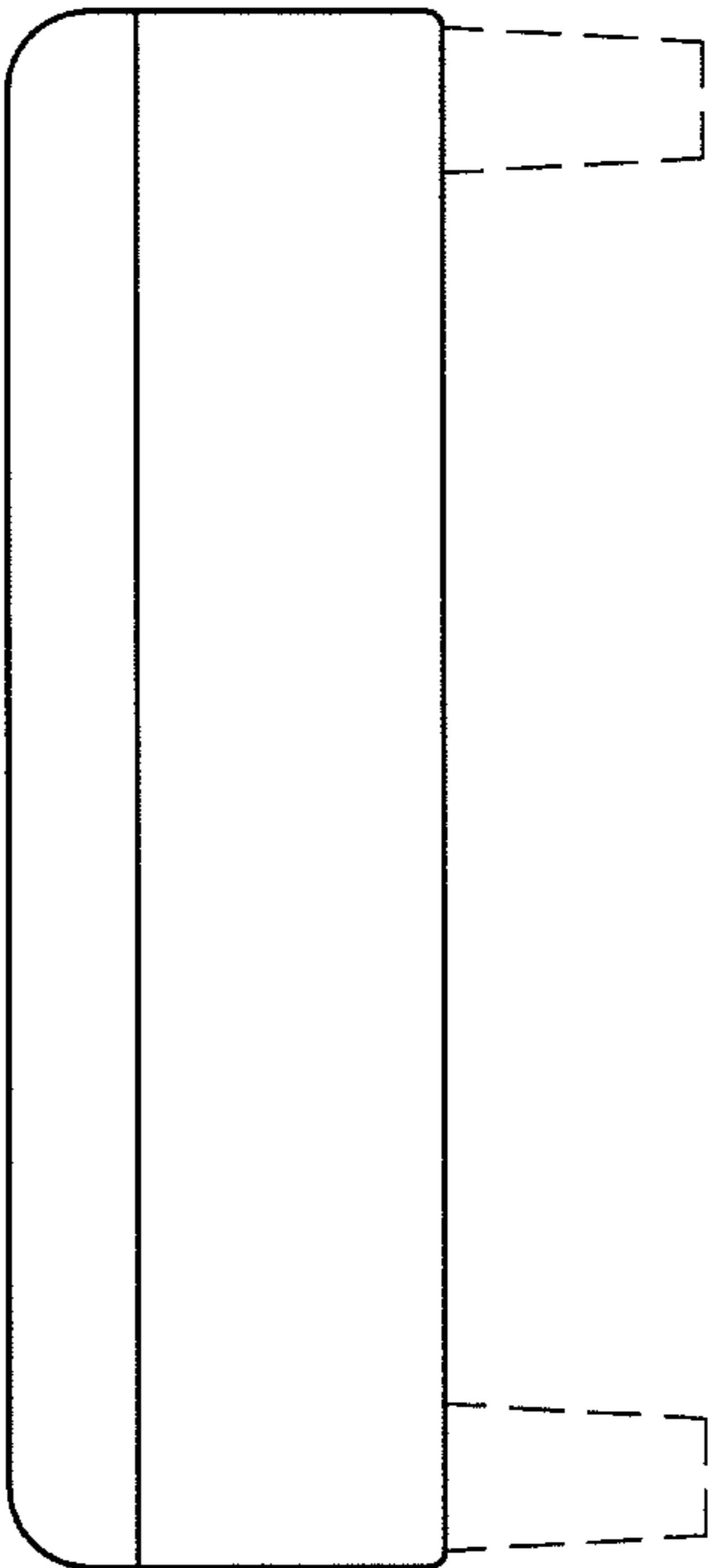


FIG. 4

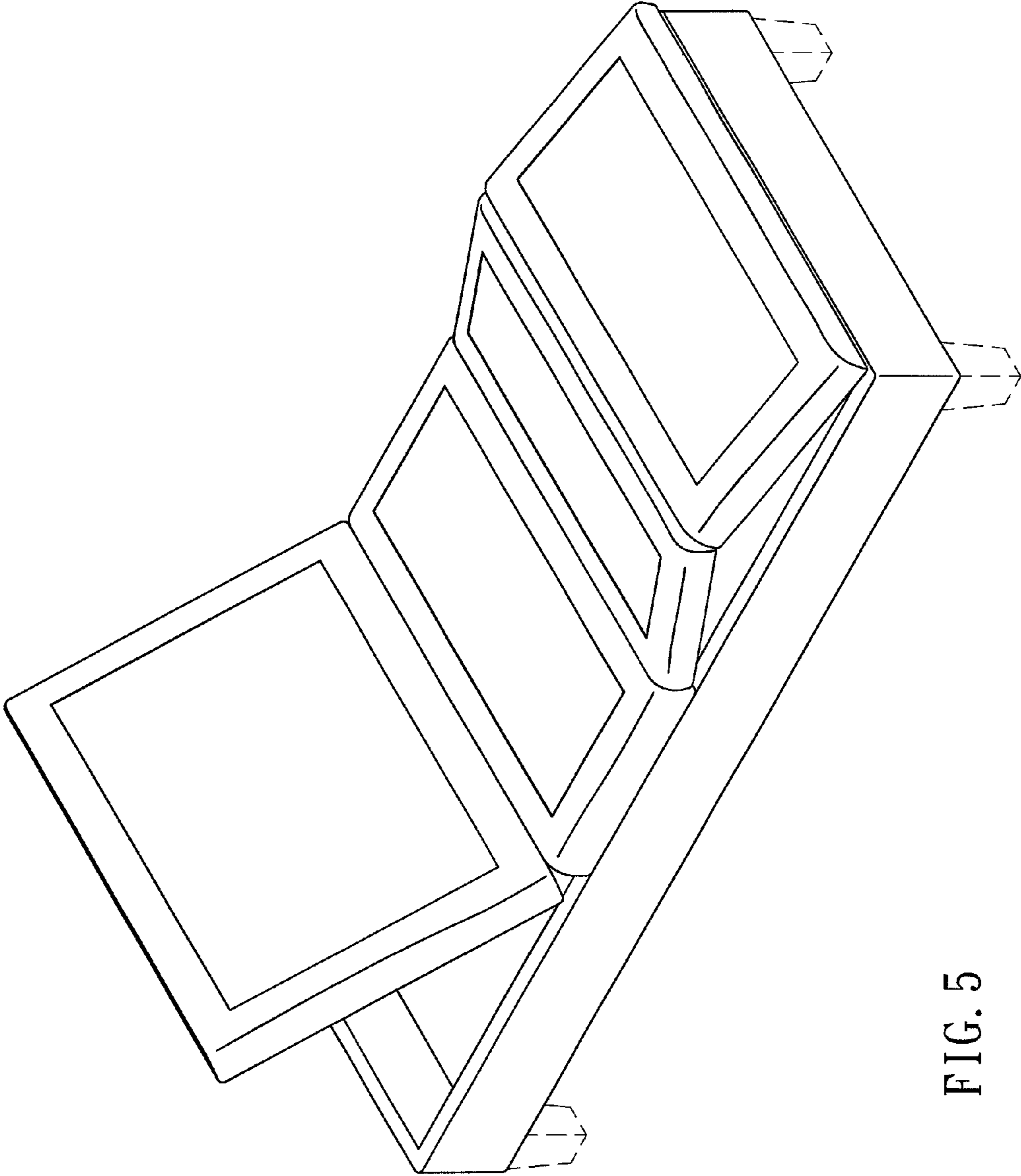


FIG. 5