

US00D707459S

(12) **United States Design Patent**
Ma

(10) **Patent No.:** **US D707,459 S**
(45) **Date of Patent:** **** Jun. 24, 2014**

- (54) **CHAIR**
- (71) Applicant: **Chien-Shen Ma**, Nantou County (TW)
- (72) Inventor: **Chien-Shen Ma**, Nantou County (TW)
- (**) Term: **14 Years**
- (21) Appl. No.: **29/449,175**
- (22) Filed: **Mar. 14, 2013**
- (51) **LOC (10) Cl.** **06-01**
- (52) **U.S. Cl.**
USPC **D6/366**
- (58) **Field of Classification Search**
USPC D6/334-336, 364, 365, 366, 367, 374,
D6/376, 379, 380, 716, 716.1, 716.2,
D6/716.3, 716.4; 297/391, 396, 411.28,
297/445.1, 446.1, 452.12, 452.14, 452.21,
297/452.29, 452.3, 452.35, 452.48, 452.56
See application file for complete search history.

- D552,857 S * 10/2007 Wang D6/366
- D611,264 S * 3/2010 Igarashi D6/366
- D615,783 S * 5/2010 Igarashi D6/716
- D616,654 S * 6/2010 Igarashi D6/365
- D638,635 S * 5/2011 Sander et al. D6/366
- D665,590 S * 8/2012 Wagner D6/366
- 2008/0122284 A1 * 5/2008 Yang 297/452.56

* cited by examiner

Primary Examiner — Mimoso De

(74) *Attorney, Agent, or Firm* — Muncy, Geissler, Olds & Lowe, P.C.

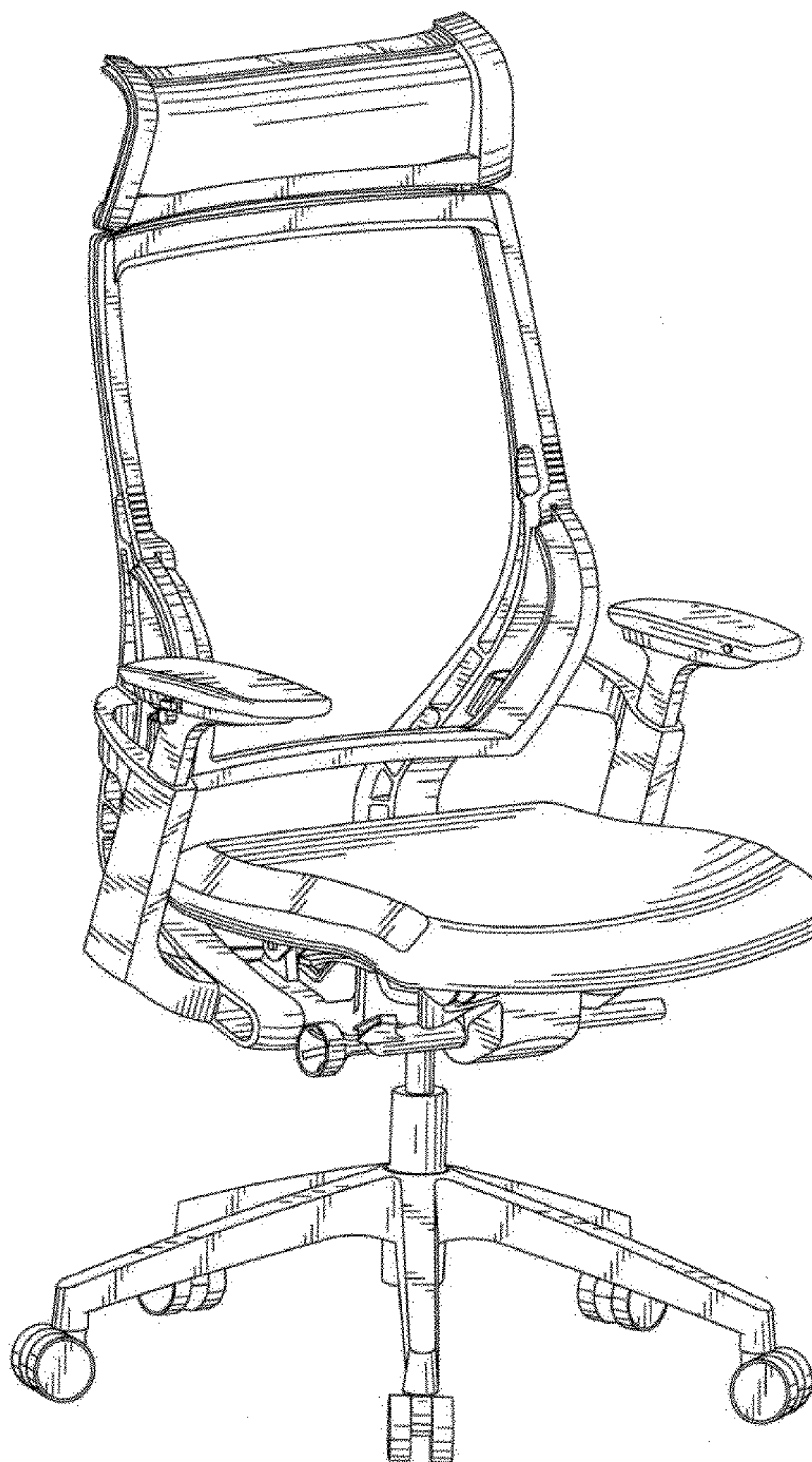
(57) **CLAIM**
The ornamental design for a chair, as shown and described.

DESCRIPTION

FIG. 1 is a perspective view of a chair showing my new design;
FIG. 2 is a front elevational view thereof;
FIG. 3 is a rear elevational view thereof;
FIG. 4 is a left side view thereof;
FIG. 5 is a right side view thereof; and,
FIG. 6 is a top plan view thereof.

1 Claim, 6 Drawing Sheets

- (56) **References Cited**
U.S. PATENT DOCUMENTS
D488,313 S * 4/2004 Seiler D6/366
D528,810 S * 9/2006 Giugiaro D6/366



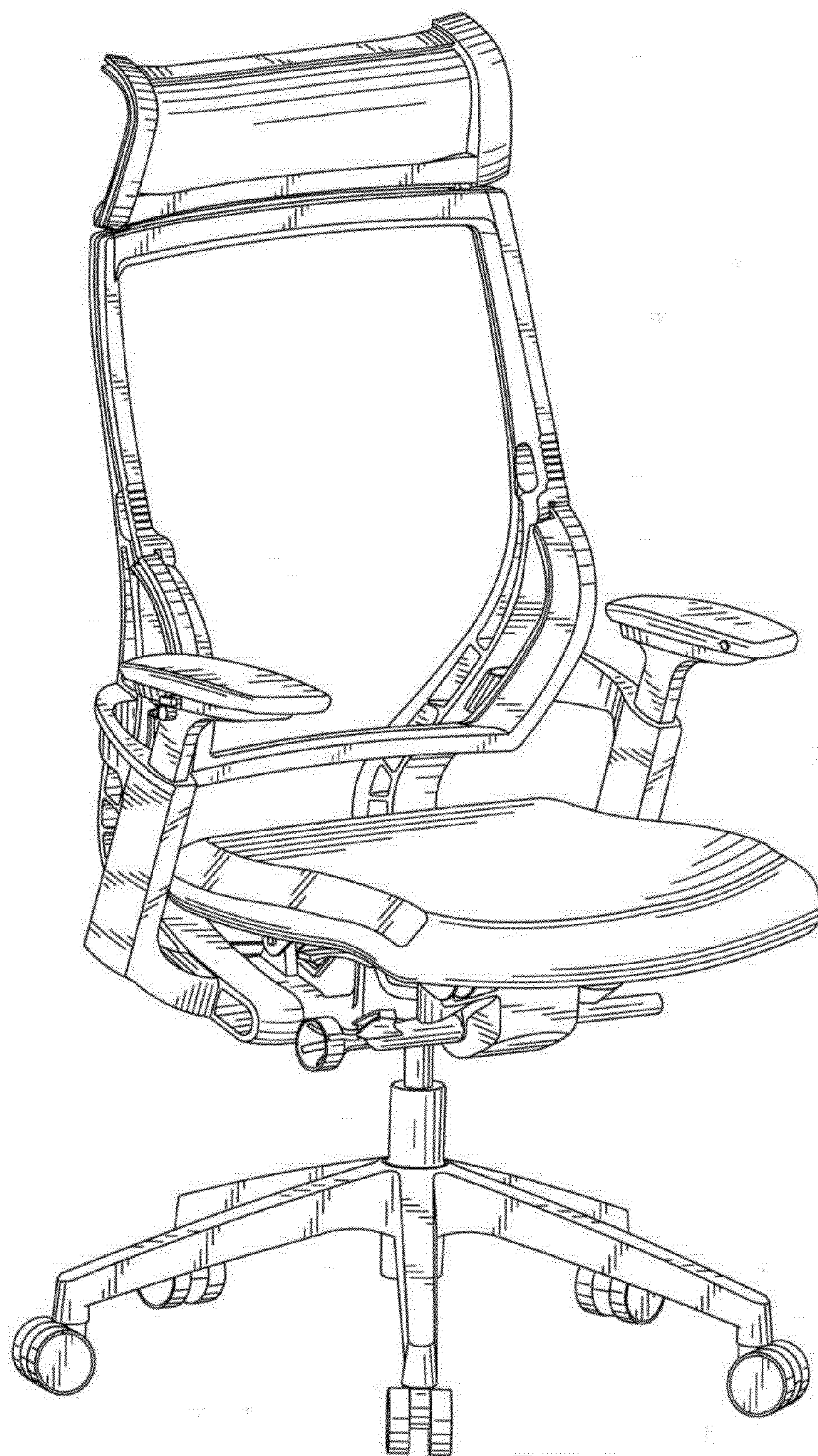


FIG. 1

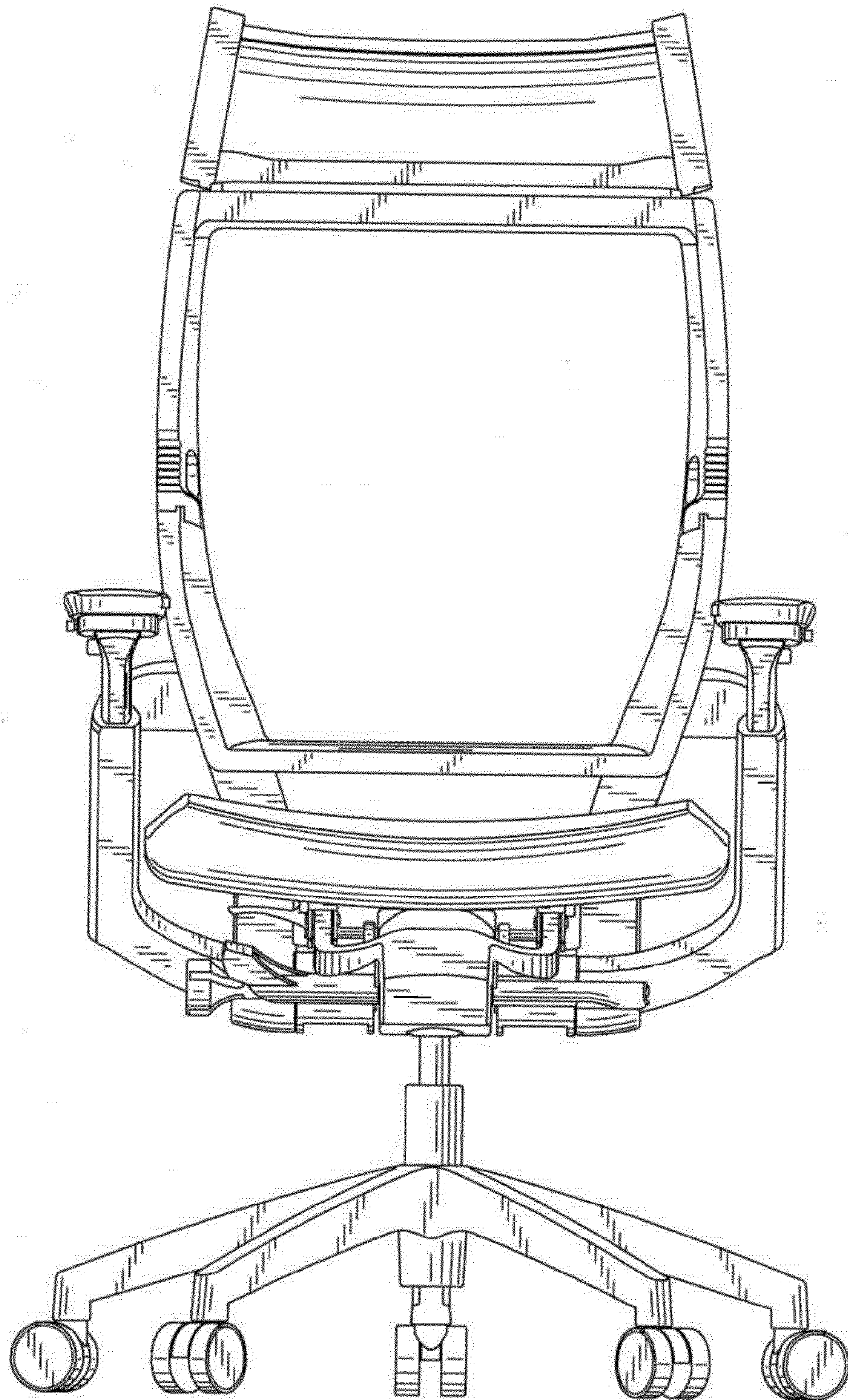


FIG. 2

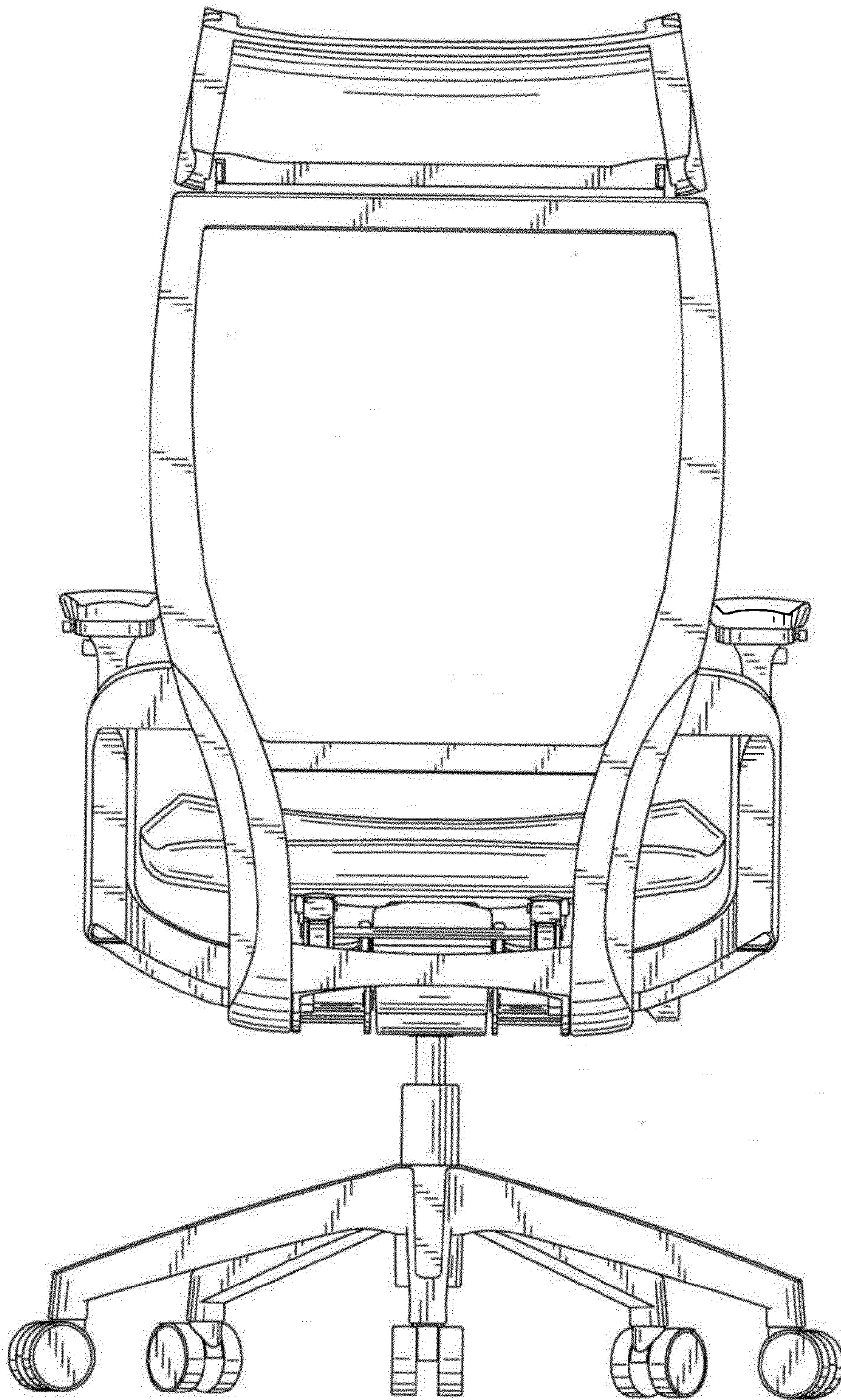


FIG. 3

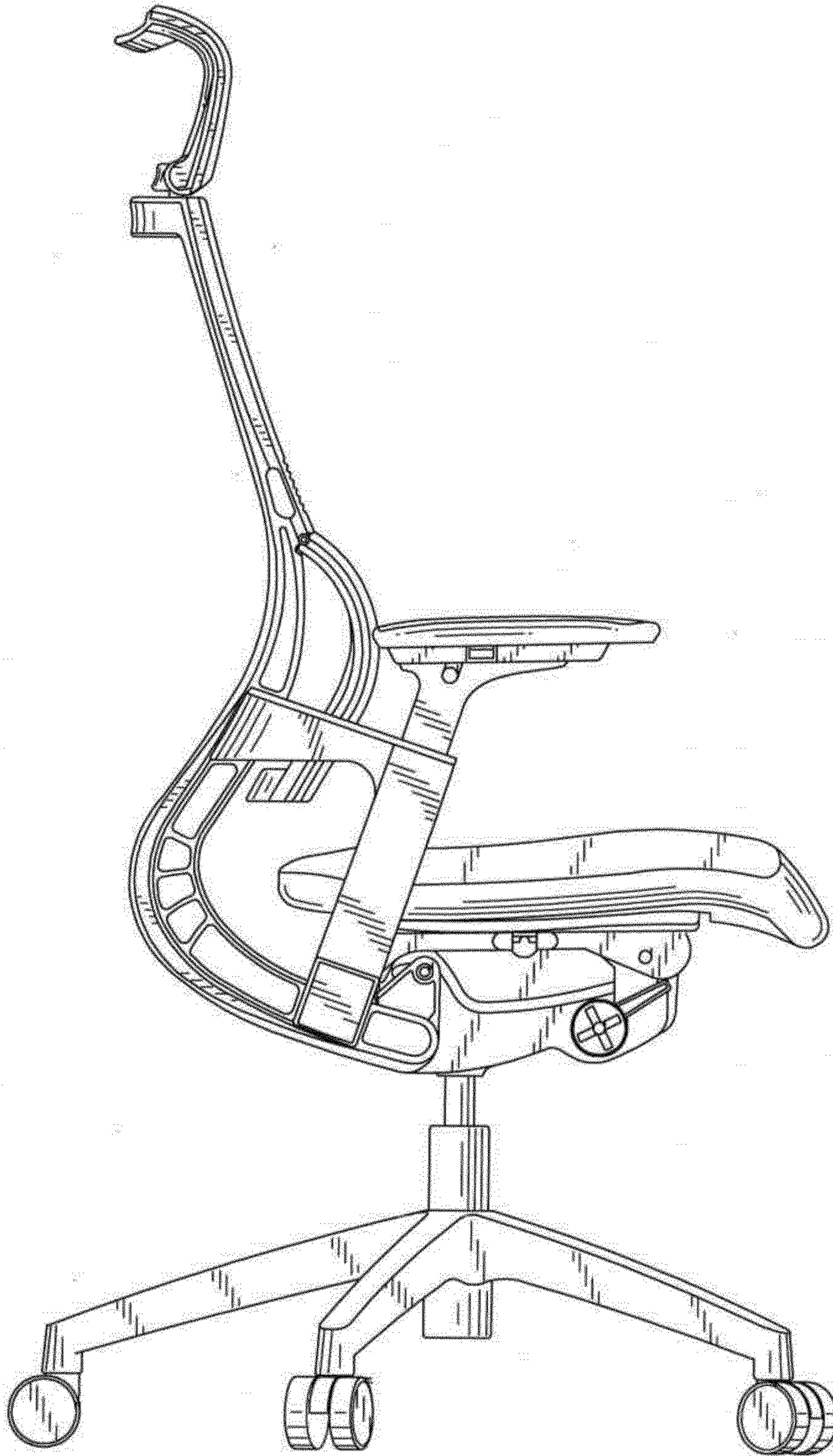


FIG. 4

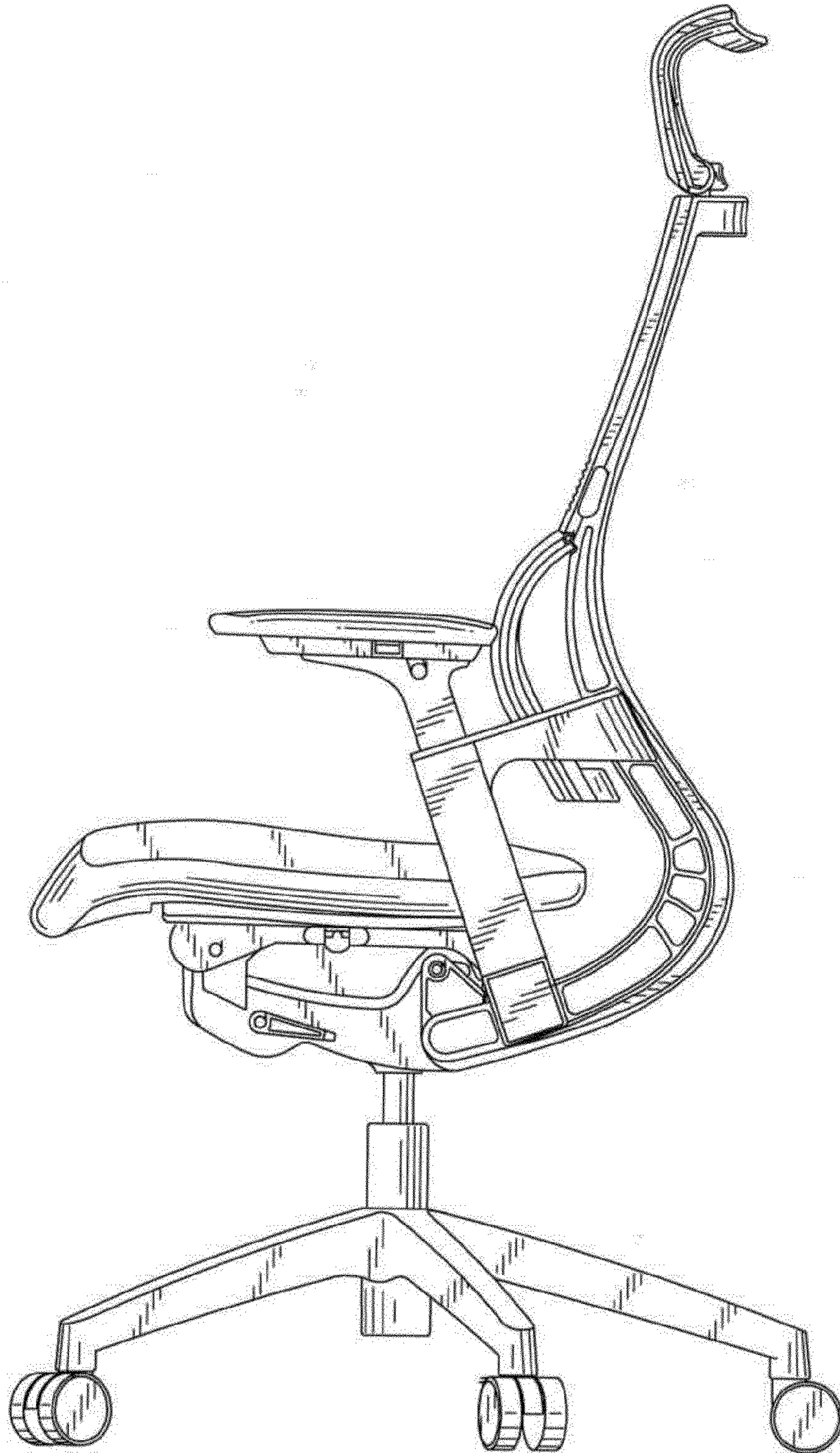


FIG. 5

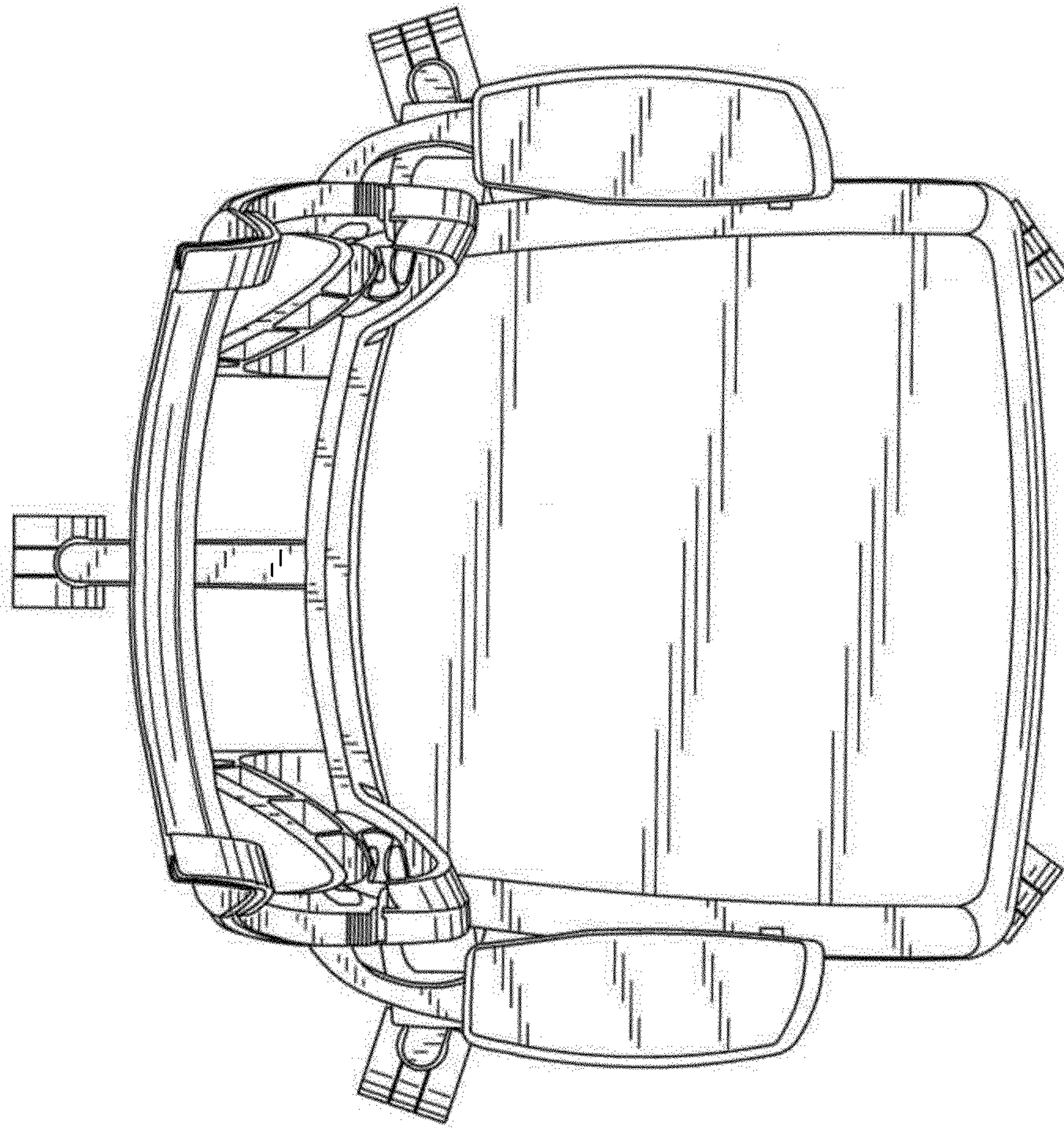


FIG. 6