



US00D707458S

(12) **United States Design Patent**
Doyle et al.

(10) **Patent No.:** **US D707,458 S**
(45) **Date of Patent:** **** Jun. 24, 2014**

(54) **CHAISE LOUNGE**

(71) Applicant: **David Sutherland, Inc.**, Dallas, TX
(US)

(72) Inventors: **Joseph Doyle**, New Haven, VT (US);
Jennifer Hutton, Austin, TX (US)

(73) Assignee: **David Sutherland, Inc.**, Dallas, TX
(US)

(**) Term: **14 Years**

(21) Appl. No.: **29/450,798**

(22) Filed: **Mar. 22, 2013**

(51) **LOC (10) Cl.** **06-01**

(52) **U.S. Cl.**
USPC **D6/361**

(58) **Field of Classification Search**
USPC D6/334-336, 361, 367, 368, 369, 370,
D6/374, 375, 716, 716.1, 716.2, 716.3,
D6/716.4; 297/353, 354.1, 377, 423.1,
297/452.2, 452.63

See application file for complete search history.

(56) **References Cited**

U.S. PATENT DOCUMENTS

D90,879 S * 10/1933 Goodman D6/361
D129,328 S * 9/1941 Wesley D6/361
D147,489 S * 9/1947 Cook et al. D6/361

D219,212 S * 11/1970 Eames D6/361
D274,199 S * 6/1984 Saiger D6/361
D287,552 S * 1/1987 Vanderminden D6/361
D297,985 S * 10/1988 Kaminski D6/361
D299,684 S * 2/1989 Frinier D6/361
5,272,777 A * 12/1993 Favagrossa 297/377
D427,792 S * 7/2000 Hodge D6/361
D473,060 S * 4/2003 Hutton
D479,052 S * 9/2003 Goodman D6/361
D512,230 S * 12/2005 Krake D6/361
D545,075 S * 6/2007 Hunziker

* cited by examiner

Primary Examiner — Mimosa De

(74) *Attorney, Agent, or Firm* — Gardere Wynne Sewell LLP

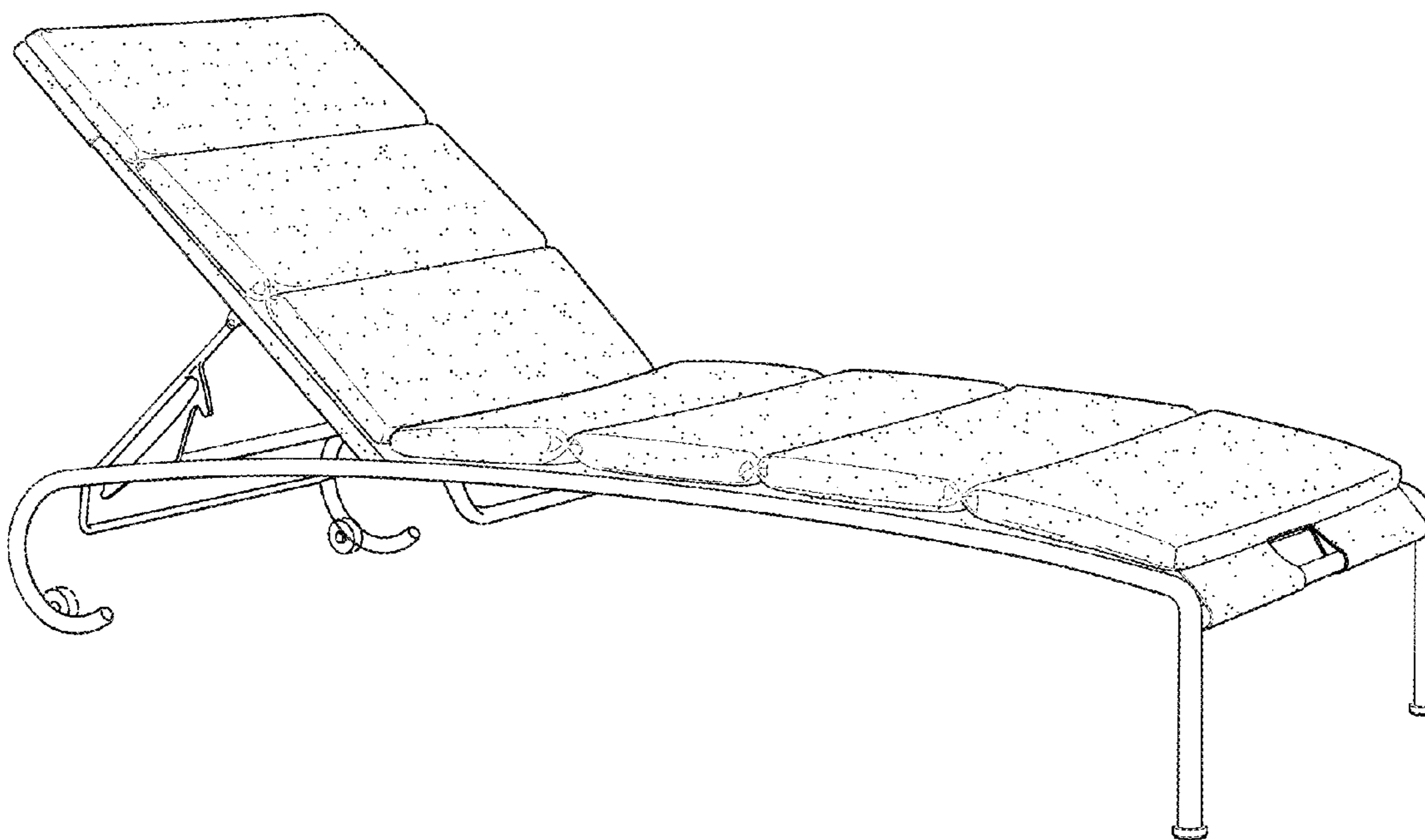
(57) **CLAIM**

The ornamental design for a chaise lounge, as shown and described.

DESCRIPTION

FIG. 1 is a perspective view of a chaise lounge;
FIG. 2 is a right side view of the chaise lounge shown in FIG. 1, the left side being a mirror image thereof;
FIG. 3 is a top view of the chaise lounge shown in FIG. 1;
FIG. 4 is a bottom view of the chaise lounge shown in FIG. 1;
FIG. 5 is a front view of the chaise lounge shown in FIG. 1; and,
FIG. 6 is a rear view of the chaise lounge shown in FIG. 1.
The stippling is to show surface texture and is not a necessary part of the design.

1 Claim, 2 Drawing Sheets



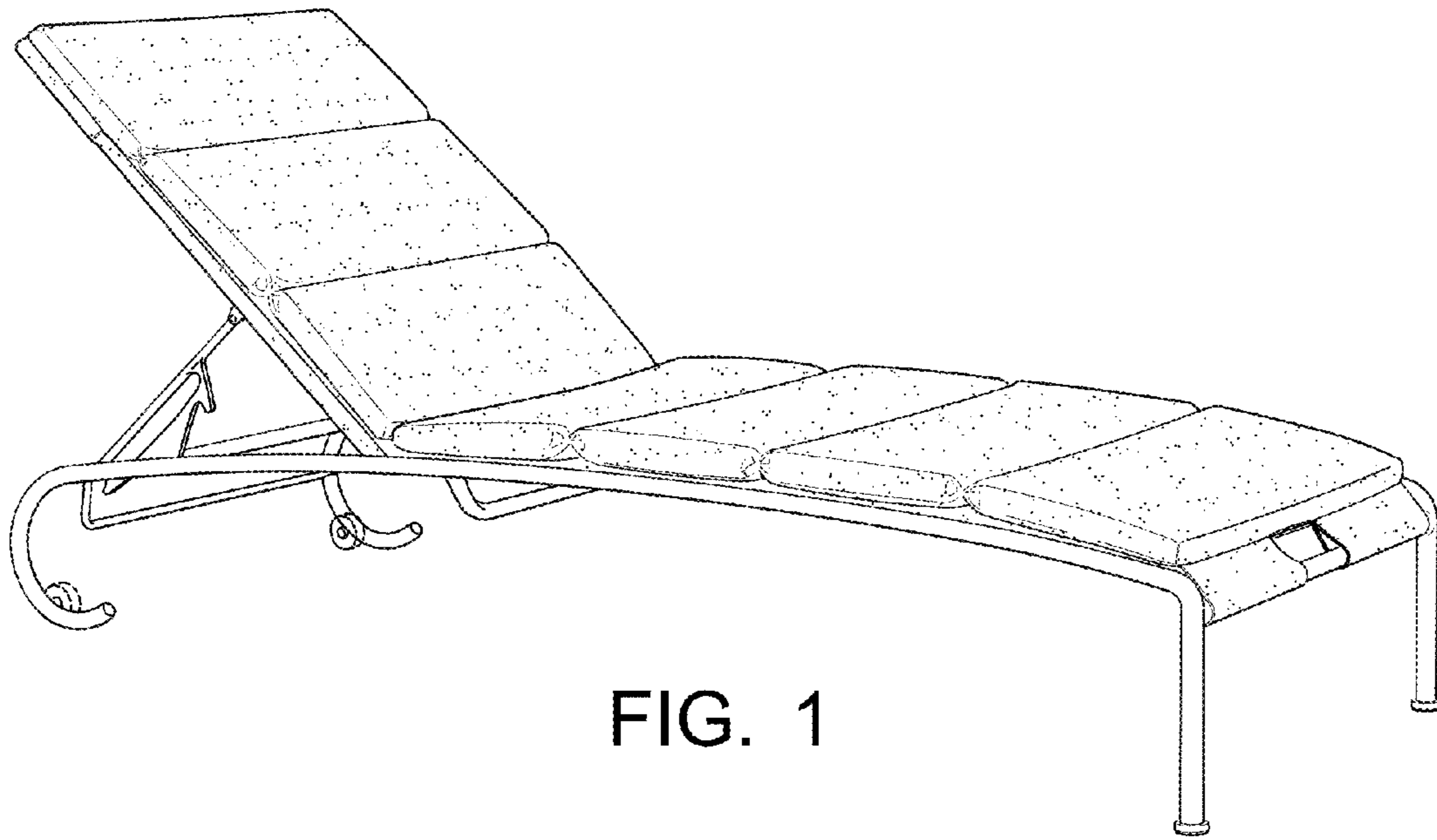


FIG. 1

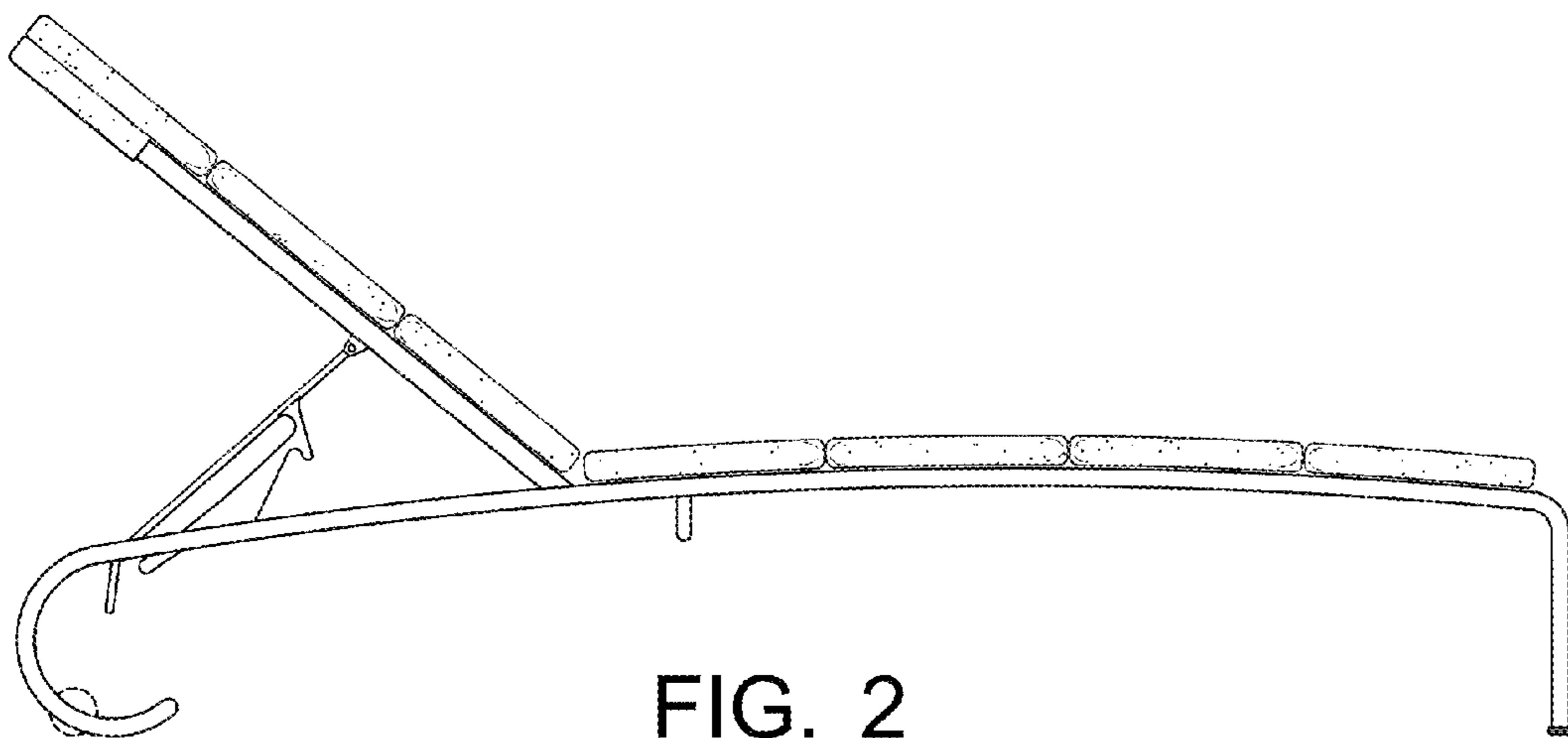


FIG. 2

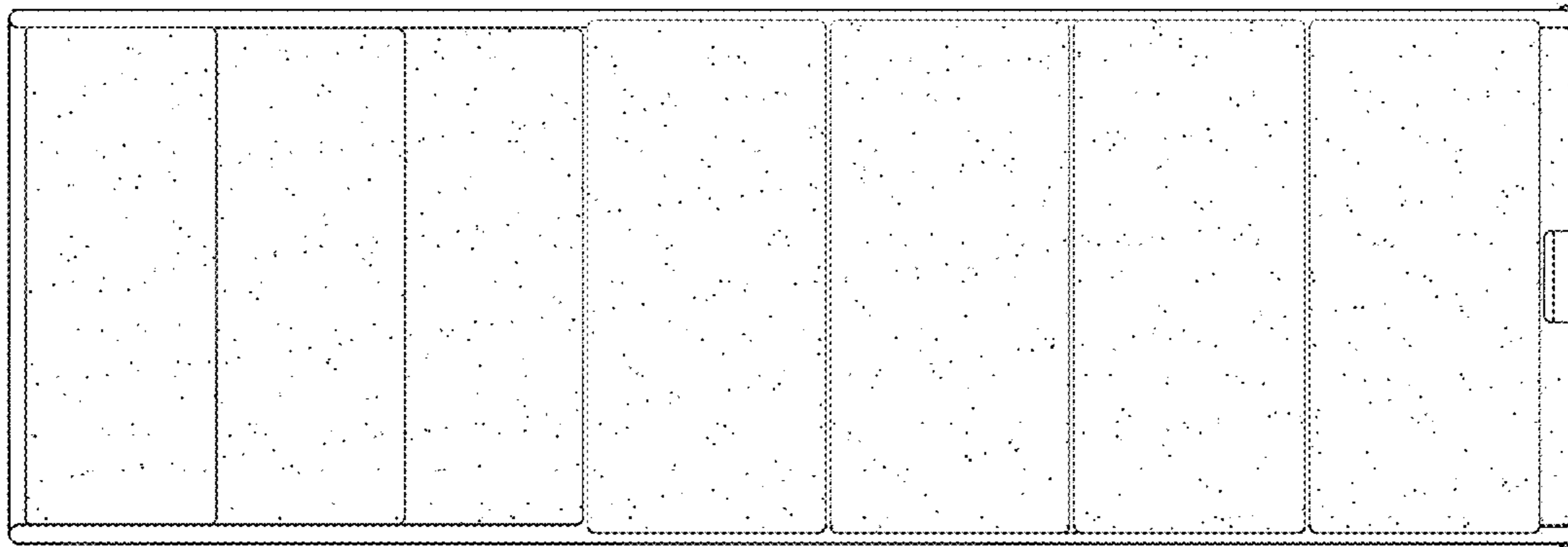


FIG. 3

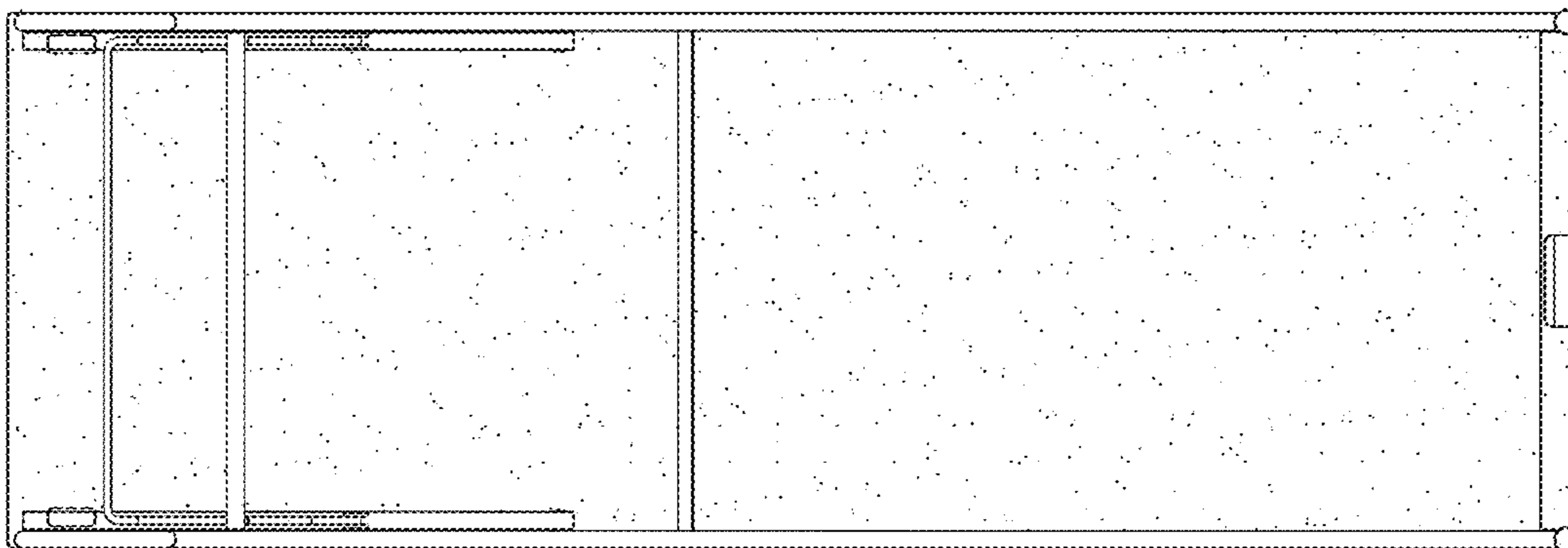


FIG. 4

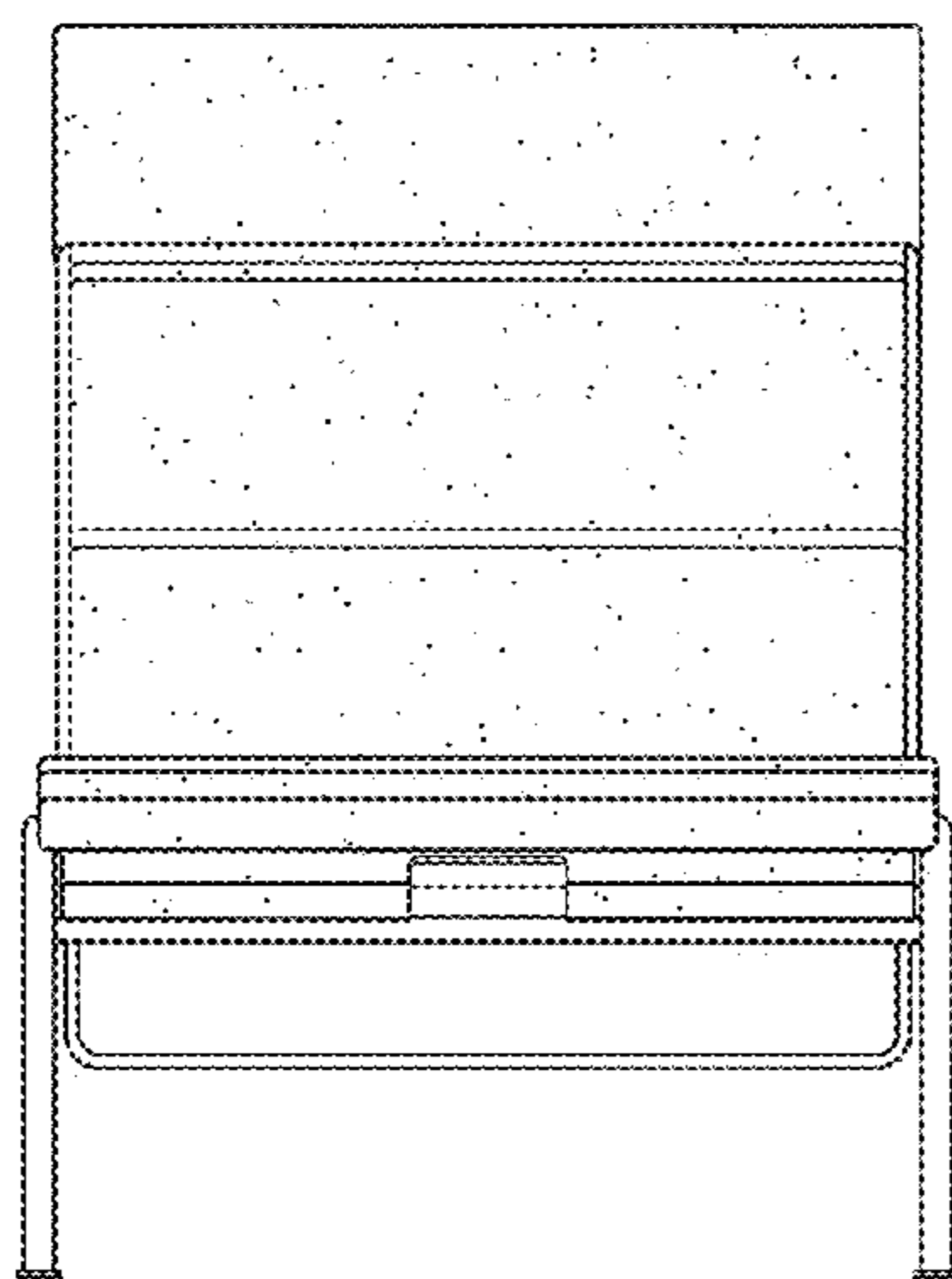


FIG. 5

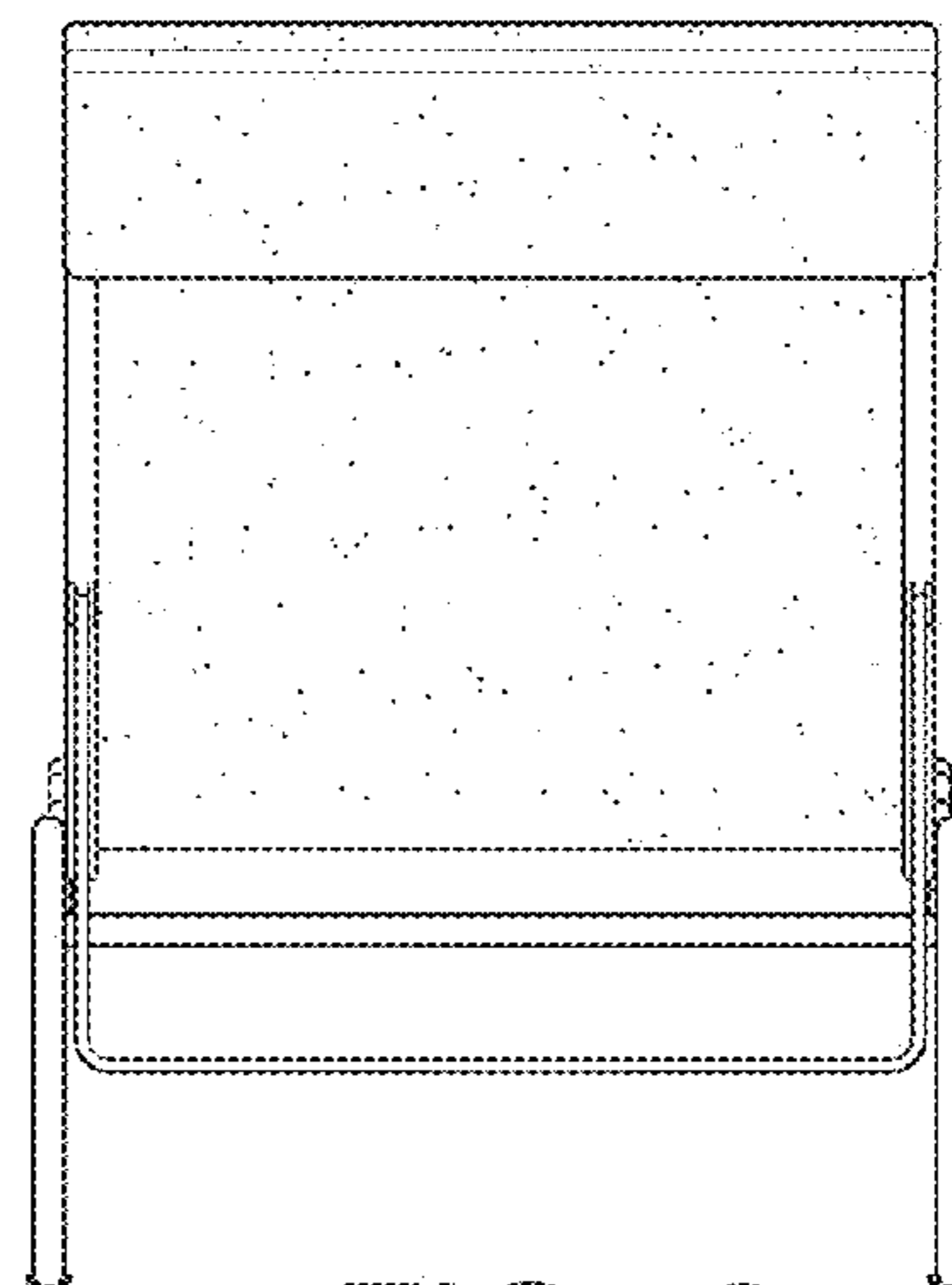


FIG. 6