



US00D707456S

(12) **United States Design Patent**
Farias, Jr. et al.

(10) **Patent No.:** **US D707,456 S**
(45) **Date of Patent:** **** Jun. 24, 2014**

(54) **HANGER**

(71) Applicants: **Ernesto Farias, Jr.**, Brea, CA (US);
Angel Gonzalez, Brea, CA (US)

(72) Inventors: **Ernesto Farias, Jr.**, Brea, CA (US);
Angel Gonzalez, Brea, CA (US)

(**) Term: **14 Years**

(21) Appl. No.: **29/441,350**

(22) Filed: **Jan. 3, 2013**

(51) **LOC (10) Cl.** **06-08**

(52) **U.S. Cl.**
USPC **D6/323**

(58) **Field of Classification Search**
USPC D6/315-328, 405, 552, 553, 554, 556,
D6/567, 572; 223/85-98; 211/13.1, 10, 30,
211/32, 49.1, 86.01, 87.01, 85.2, 85.7, 113,
211/126.15, 126.16, 128.1; 248/214, 309.1
See application file for complete search history.

(56) **References Cited**

U.S. PATENT DOCUMENTS

1,860,384	A *	5/1932	Cocks	211/30
D191,874	S *	12/1961	Yegge	D6/556
D326,366	S *	5/1992	Fung	D6/320
D377,309	S *	1/1997	Hofman	D8/372
5,833,078	A *	11/1998	York	211/70.5
D558,462	S *	1/2008	Mattioli	D6/320

D609,080	S *	2/2010	Schorn	D6/552
D647,327	S *	10/2011	Levin et al.	D6/323
D647,328	S *	10/2011	Levin et al.	D6/323
8,245,859	B2 *	8/2012	Sargent	211/85.7
8,596,588	B1 *	12/2013	Sikkema et al.	248/58
2012/0091087	A1 *	4/2012	Hines	211/86.01

* cited by examiner

Primary Examiner — Derrick Holland

Assistant Examiner — Lauren Calve

(74) *Attorney, Agent, or Firm* — QuickPatents; Kevin Prince

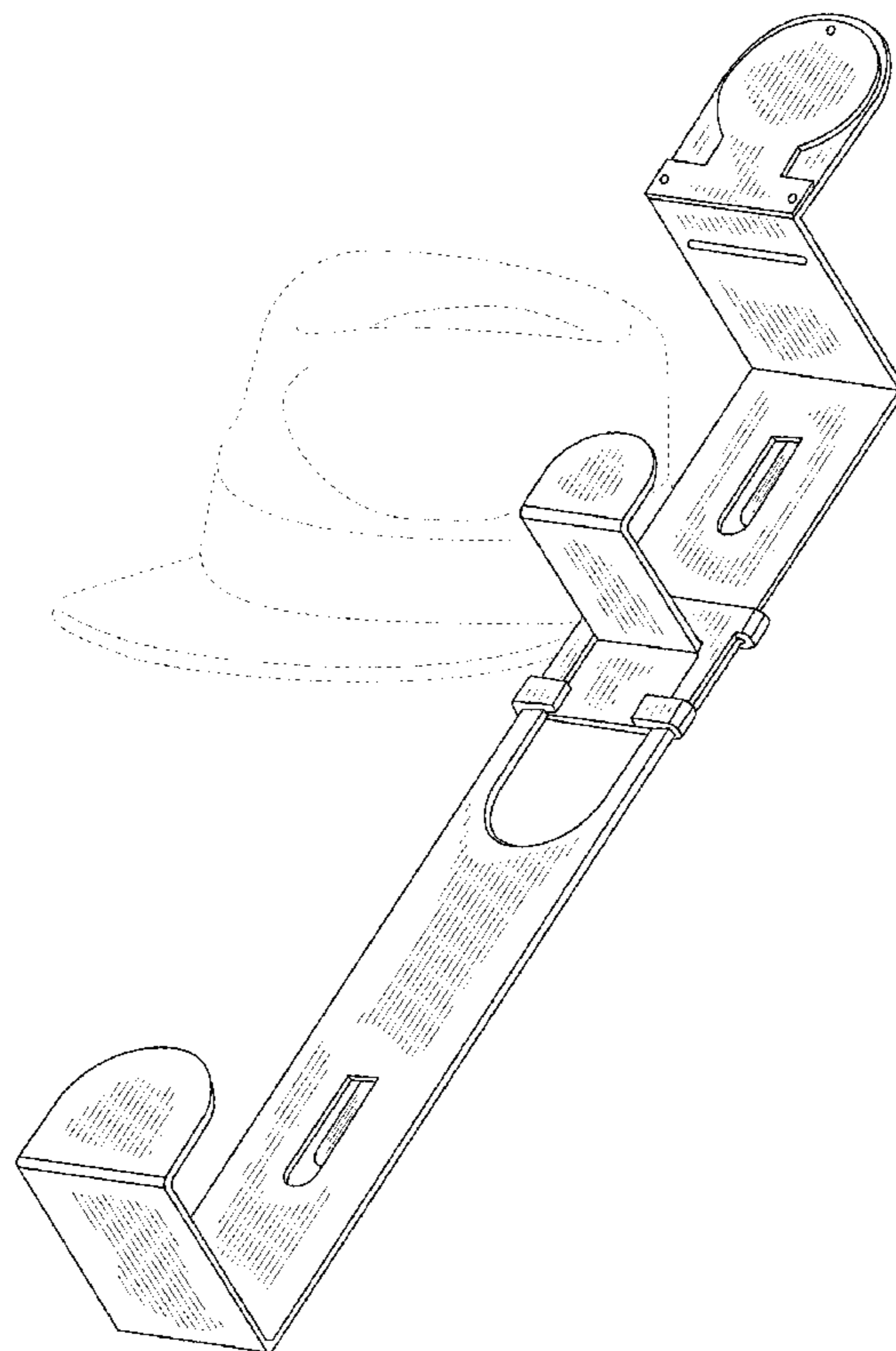
(57) **CLAIM**

We claim the ornamental design for a hanger, as shown and described.

DESCRIPTION

FIG. 1 is a perspective view of a hanger, showing our new design;
FIG. 2 is a front elevational view thereof;
FIG. 3 is a rear elevational view thereof;
FIG. 4 is a left-side elevational view thereof, the right-side elevational view being a mirror image thereof;
FIG. 5 is a top plan view thereof; and,
FIG. 6 is a bottom plan view thereof.
The broken lines shown in FIG. 1 represent unclaimed subject matter and form no part of the claimed design.

1 Claim, 3 Drawing Sheets



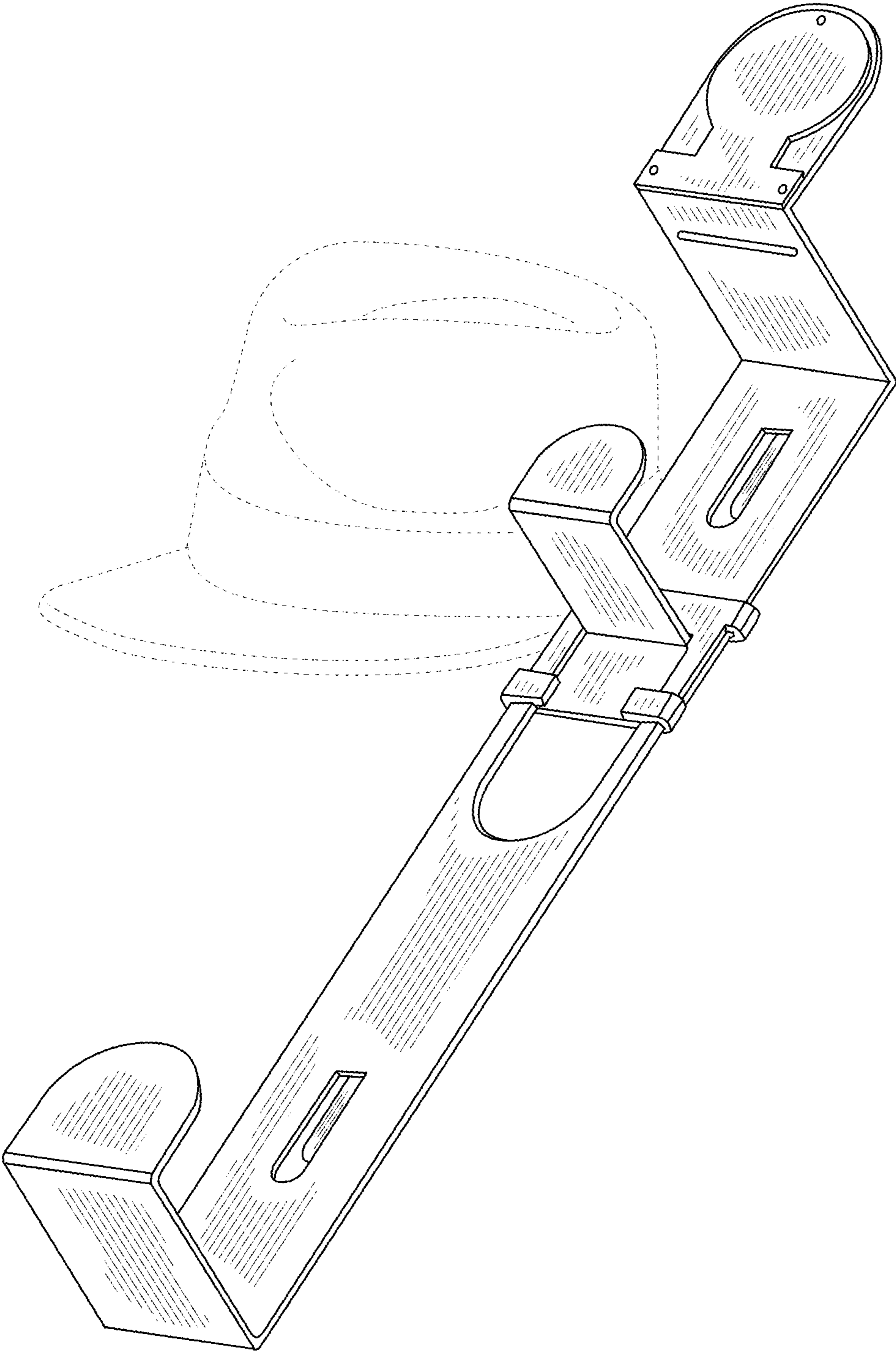


FIG. 1

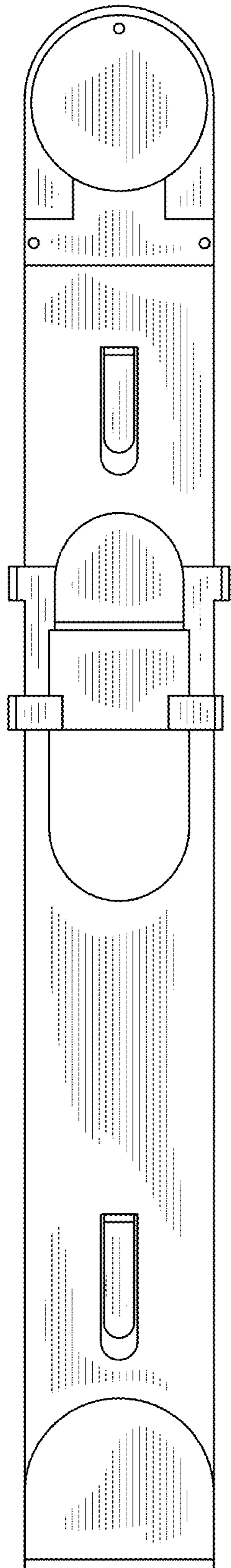


FIG. 2

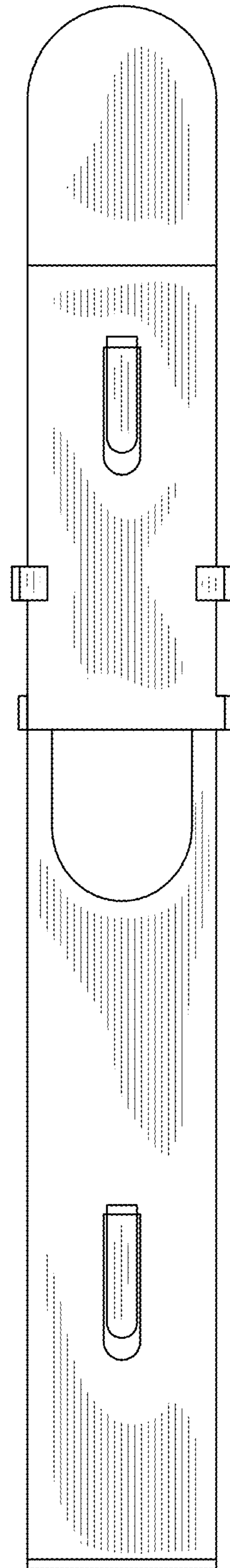


FIG. 3

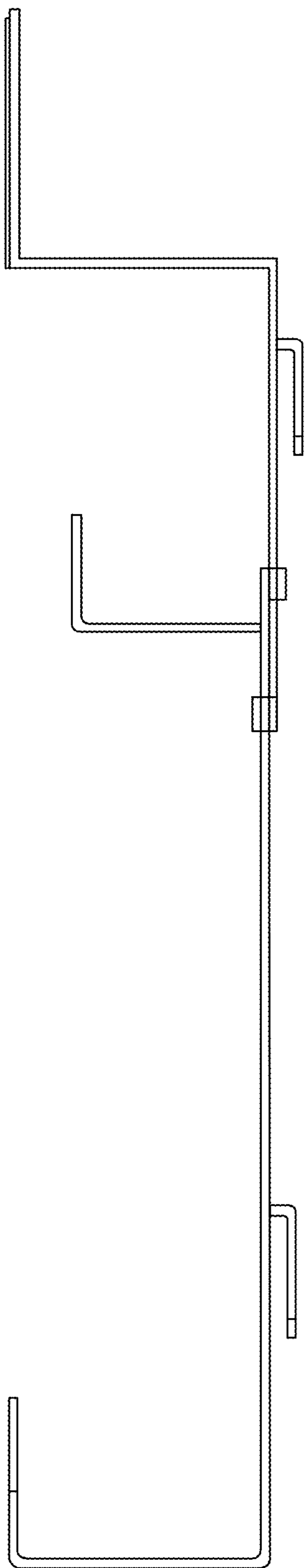


FIG. 4

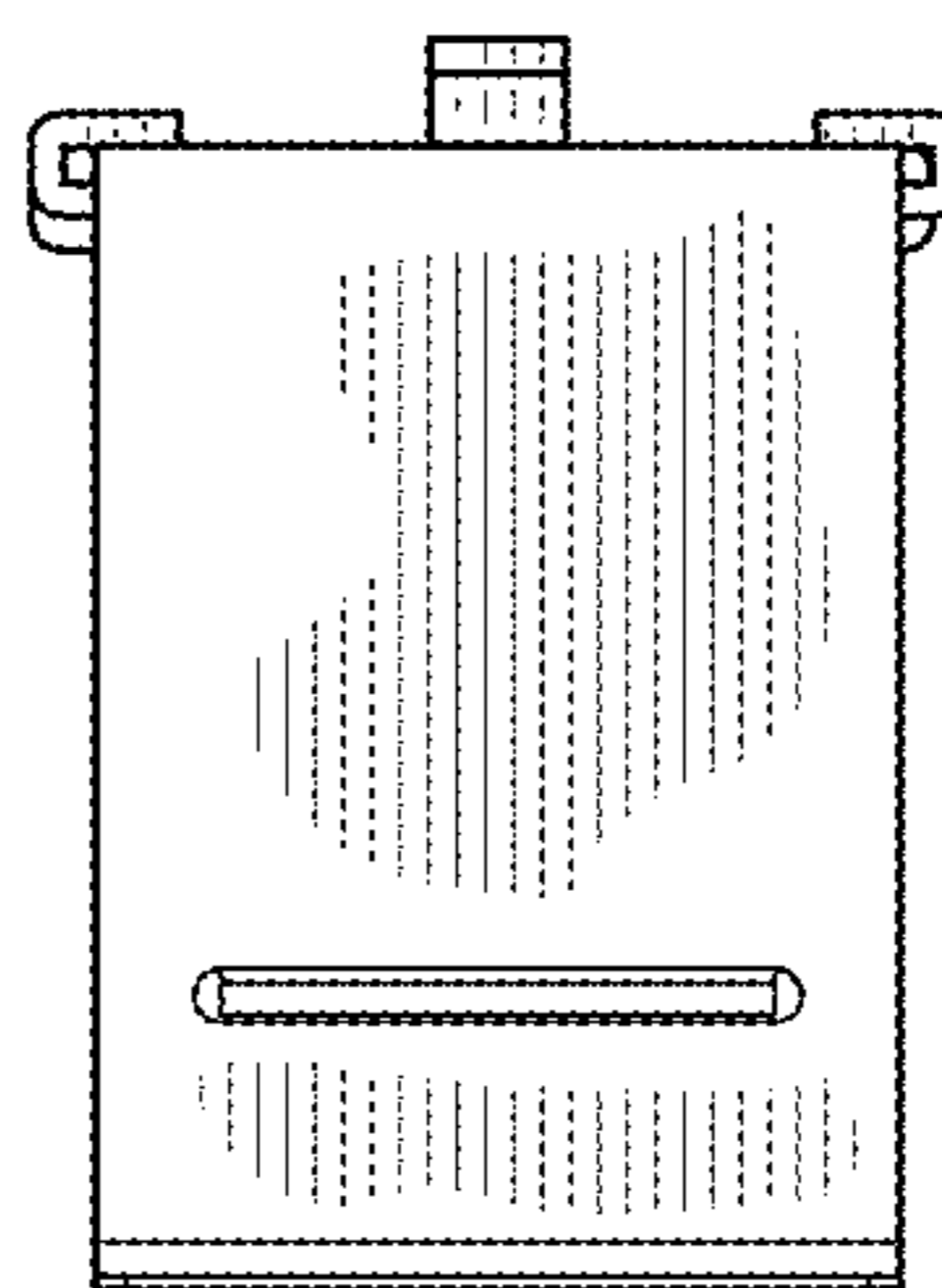


FIG. 5

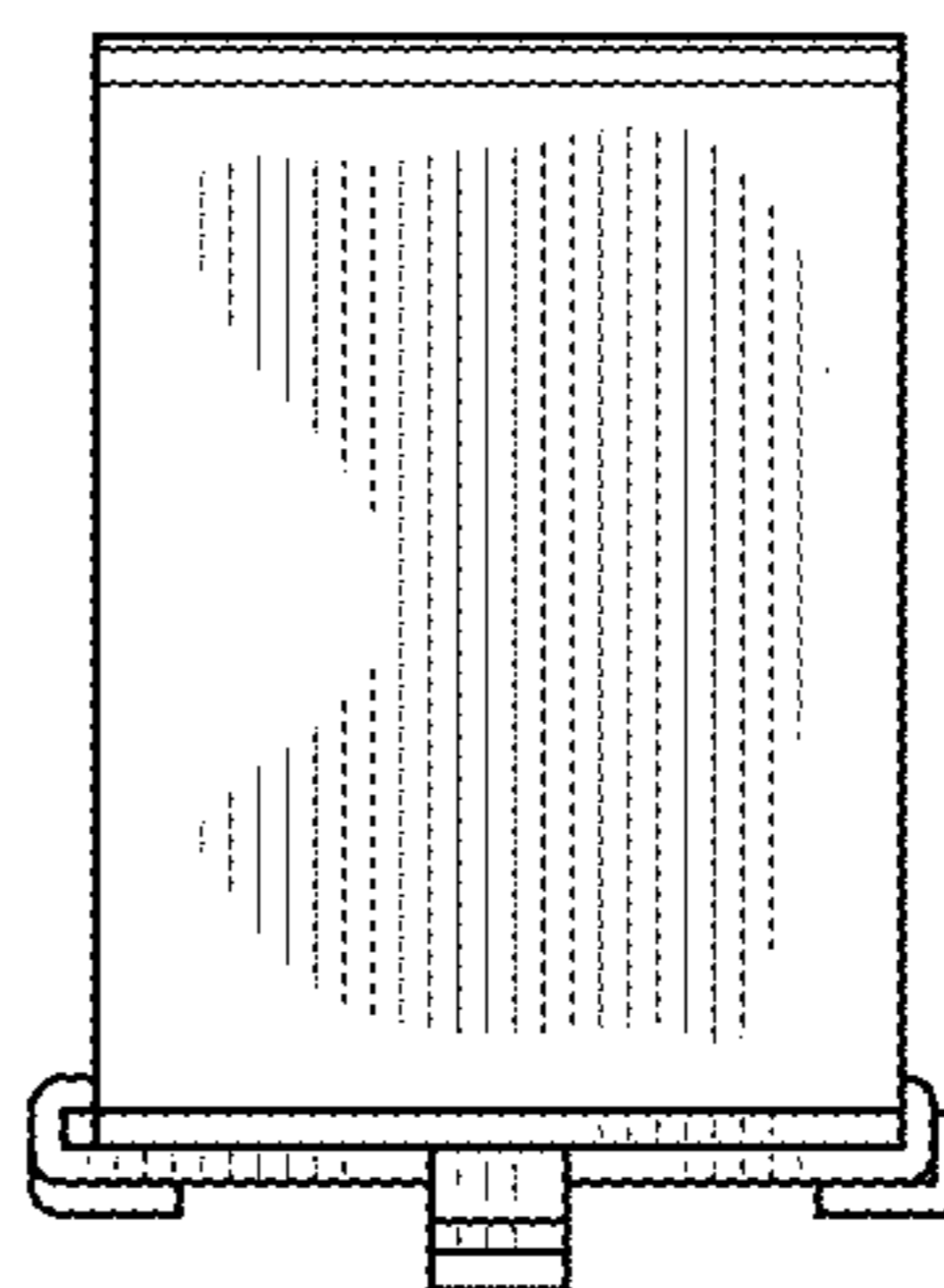


FIG. 6