



US00D707455S

(12) **United States Design Patent**
Goodman et al.

(10) **Patent No.:** **US D707,455 S**
(45) **Date of Patent:** **** Jun. 24, 2014**

- (54) **ACCESSORY ORGANIZER**
- (71) Applicant: **Spectrum Diversified Designs, Inc.**,
Streetsboro, OH (US)
- (72) Inventors: **Sheldon H. Goodman**, Solon, OH (US);
Phaysouk Xayoiphonh, Akron, OH (US)
- (73) Assignee: **Spectrum Diversified Designs, Inc.**,
Streetsboro, OH (US)
- (**) Term: **14 Years**
- (21) Appl. No.: **29/447,212**
- (22) Filed: **Mar. 1, 2013**
- (51) **LOC (10) Cl.** **06-08**
- (52) **U.S. Cl.**
USPC **D6/317**
- (58) **Field of Classification Search**
USPC D6/315-328; 223/85-98; 211/13.1, 10,
211/86.01, 87.01, 85.2, 113
See application file for complete search history.

D229,001 S *	11/1973	Wahl	D6/317
D296,046 S *	6/1988	Marshall	D6/315
4,978,043 A *	12/1990	Uke	223/88
D428,711 S *	8/2000	Rowley	D6/317
D507,889 S *	8/2005	Miller	D6/317
2013/0221040 A1 *	8/2013	Wright et al.	223/85

* cited by examiner

Primary Examiner — Derrick Holland

Assistant Examiner — Lauren Calve

(74) *Attorney, Agent, or Firm* — Benesch, Friedlander,
Coplan & Aronoff, LLP

(57) **CLAIM**

What is claimed is the ornamental design for an accessory organizer, as shown and described.

DESCRIPTION

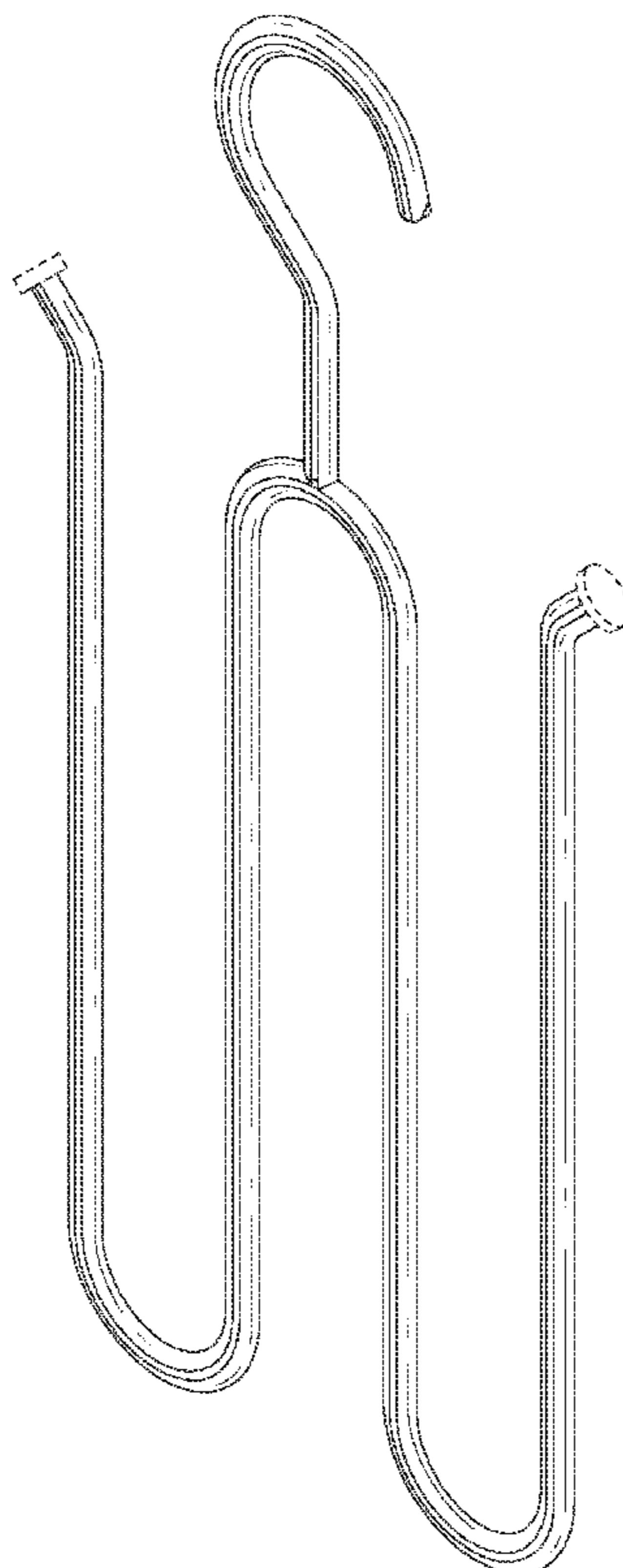
FIG. 1 is a perspective view of an accessory organizer showing a new design;
FIG. 2 is a top view of the accessory organizer of FIG. 1;
FIG. 3 is a side view of the accessory organizer of FIG. 1;
FIG. 4 is a front view of the accessory organizer of FIG. 1;
FIG. 4A is a cross-sectional view along line 4A in FIG. 4;
FIG. 5 is a side view of the accessory organizer of FIG. 1; and,
FIG. 6 is a bottom view of the accessory organizer of FIG. 1.
The broken lines shown in FIGS. 1-6 represent unclaimed subject matter and form no part of the claimed design.

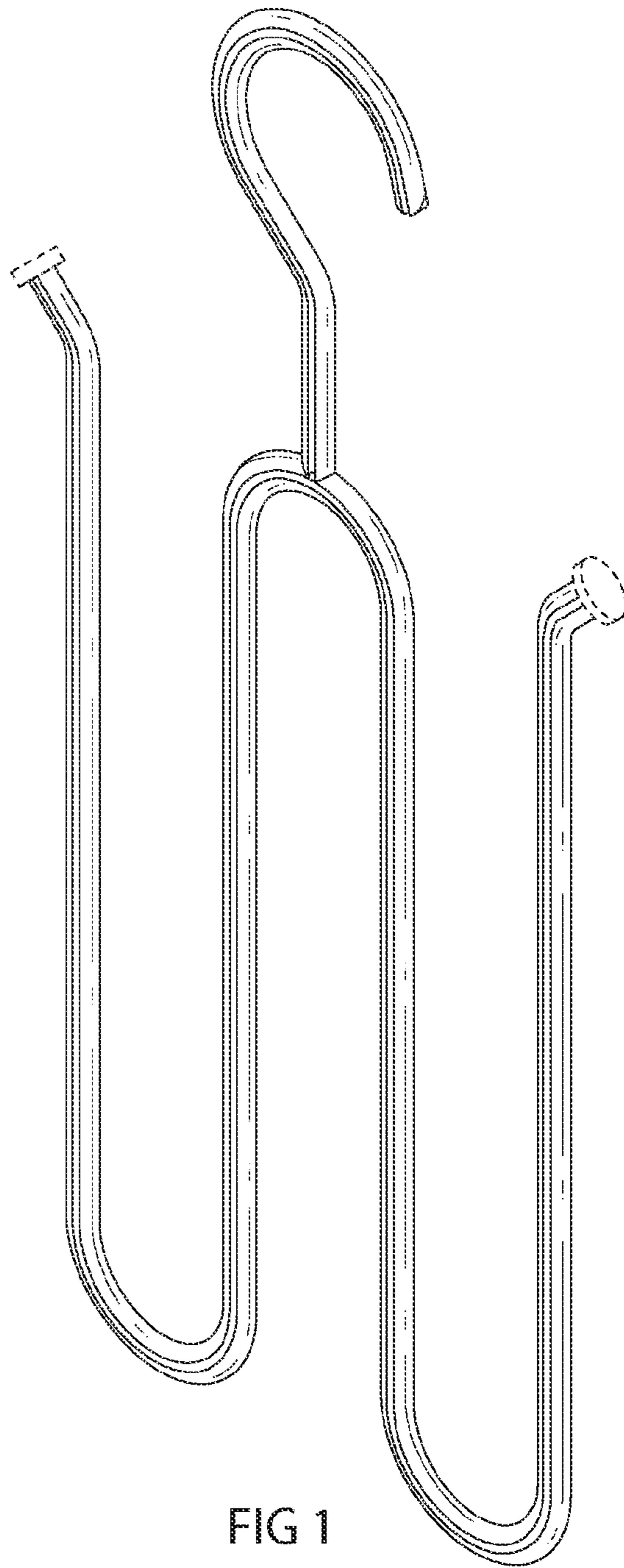
1 Claim, 2 Drawing Sheets

(56) **References Cited**

U.S. PATENT DOCUMENTS

D198,960 S *	8/1964	Betram	D6/315
D206,638 S *	1/1967	Van Dusen	D6/315
3,370,715 A *	2/1968	Kolozsvari	211/116
D211,190 S *	5/1968	Desmond	D6/317





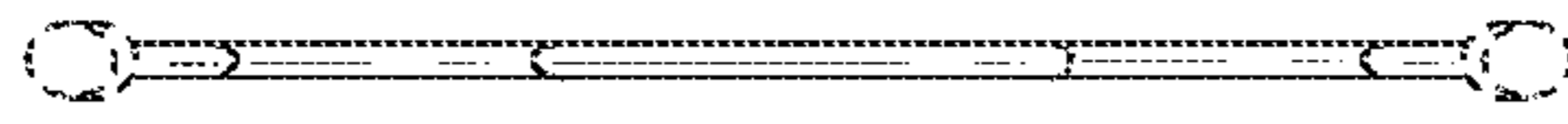


FIG 2



FIG 7



FIG 3

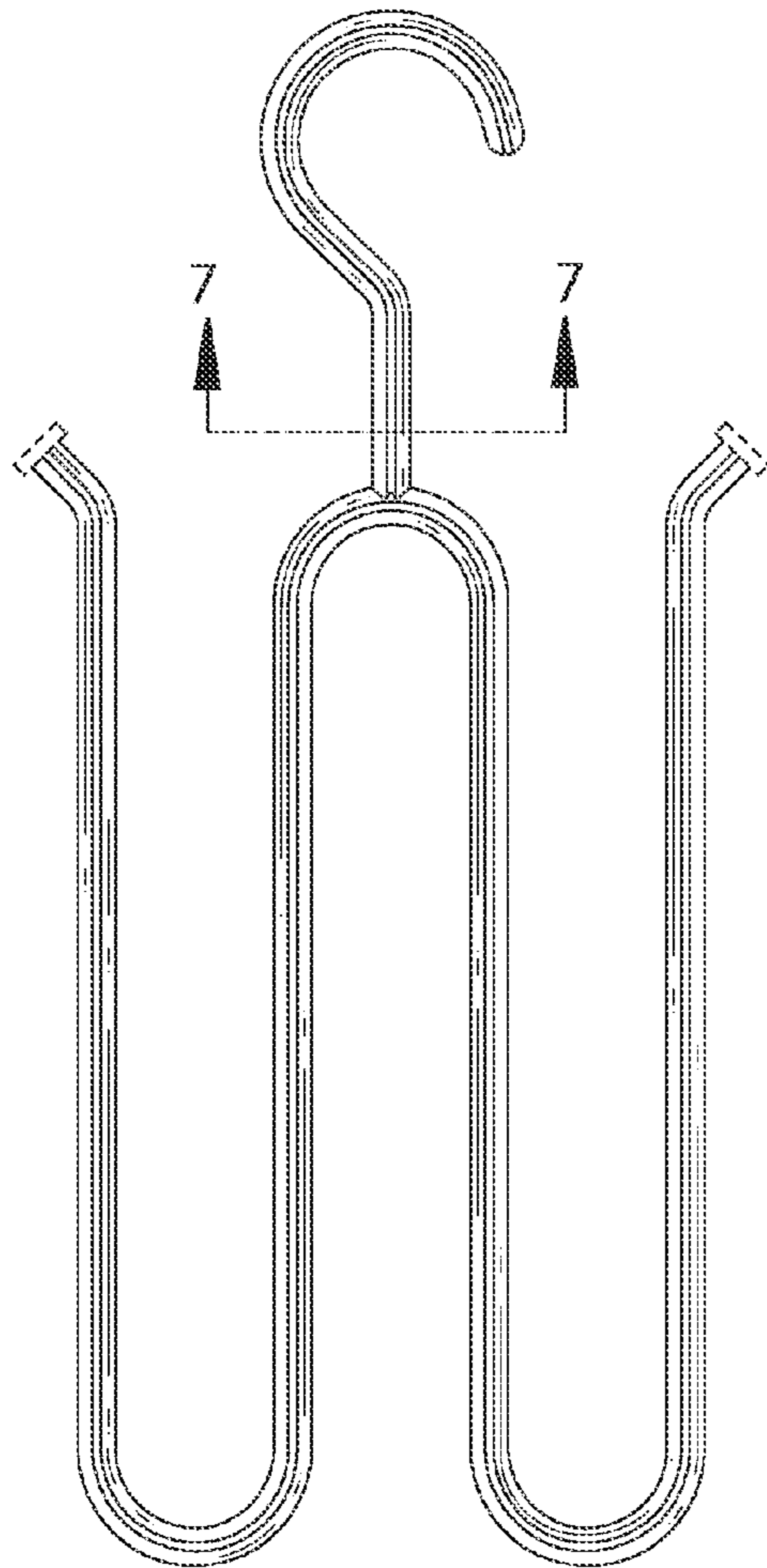


FIG 4



FIG 5

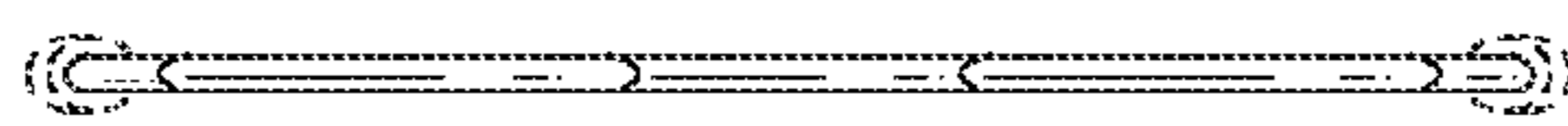


FIG 6