



US00D707451S

(12) **United States Design Patent**  
**Link**

(10) **Patent No.:** **US D707,451 S**  
(45) **Date of Patent:** **\*\* Jun. 24, 2014**

- (54) **CROSS-SHAPED BRUSH**
- (71) Applicant: **Eldrick D. Link**, New Braunfels, TX  
(US)
- (72) Inventor: **Eldrick D. Link**, New Braunfels, TX  
(US)
- (\*\*) Term: **14 Years**
- (21) Appl. No.: **29/476,744**
- (22) Filed: **Dec. 16, 2013**
- (51) **LOC (10) Cl.** ..... **04-01**
- (52) **U.S. Cl.**  
USPC ..... **D4/124**
- (58) **Field of Classification Search**  
USPC ..... D4/118, 129, 134; D32/42, 46, 48, 49;  
15/111, 236.01, 236.02, 236.05,  
15/236.06, 236.08, 236.09, 160; D7/688;  
D20/29; D21/757  
See application file for complete search history.

(56) **References Cited**

**U.S. PATENT DOCUMENTS**

- 3,349,422 A \* 10/1967 Heil ..... 15/160
- 3,451,092 A \* 6/1969 Szopo ..... 15/106

- 5,230,117 A \* 7/1993 Johnson et al. .... 15/106
- D338,633 S \* 8/1993 Andre ..... D11/96
- D360,762 S \* 8/1995 Porter ..... D4/107
- D396,909 S \* 8/1998 Carter ..... D21/789
- D501,608 S \* 2/2005 Uffner et al. .... D4/118
- D525,163 S \* 7/2006 Balch ..... D11/86
- D533,179 S \* 12/2006 Milstein et al. .... D14/480.2
- D618,135 S \* 6/2010 Horst ..... D11/157
- D653,166 S \* 1/2012 Dunn ..... D11/184
- D691,811 S \* 10/2013 Veres ..... D4/124

\* cited by examiner

*Primary Examiner* — Austin Murphy

(74) *Attorney, Agent, or Firm* — QuickPatents; Kevin Prince

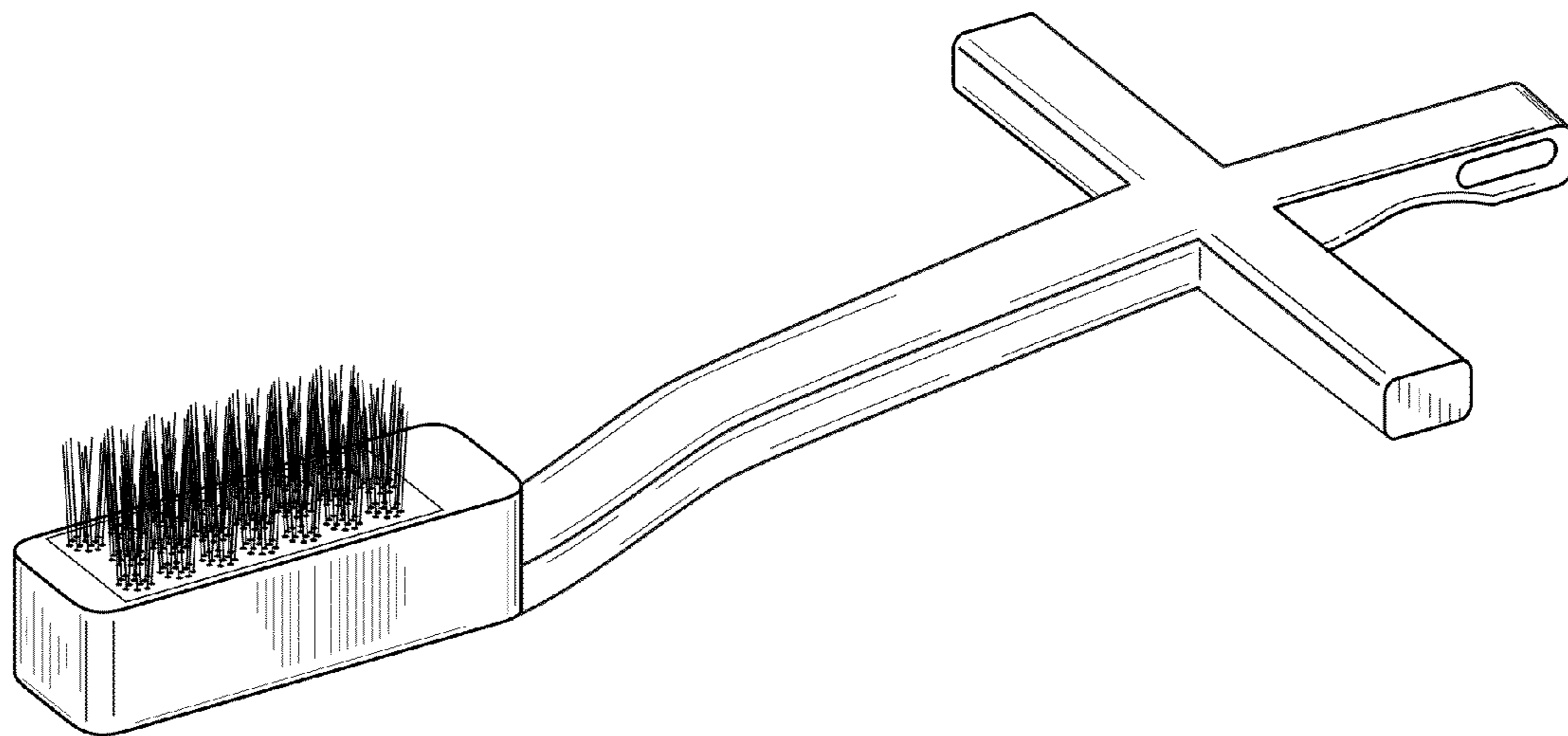
(57) **CLAIM**

I claim the ornamental design for a cross-shaped brush, as shown and described.

**DESCRIPTION**

FIG. 1 is a perspective view of a cross-shaped brush, showing my new design;  
 FIG. 2 is a front elevational view thereof;  
 FIG. 3 is a rear elevational view thereof;  
 FIG. 4 is a right-side elevational view thereof, the left-side elevational view being a mirror image thereof;  
 FIG. 5 is a top plan view thereof; and,  
 FIG. 6 is a bottom plan view thereof.

**1 Claim, 3 Drawing Sheets**



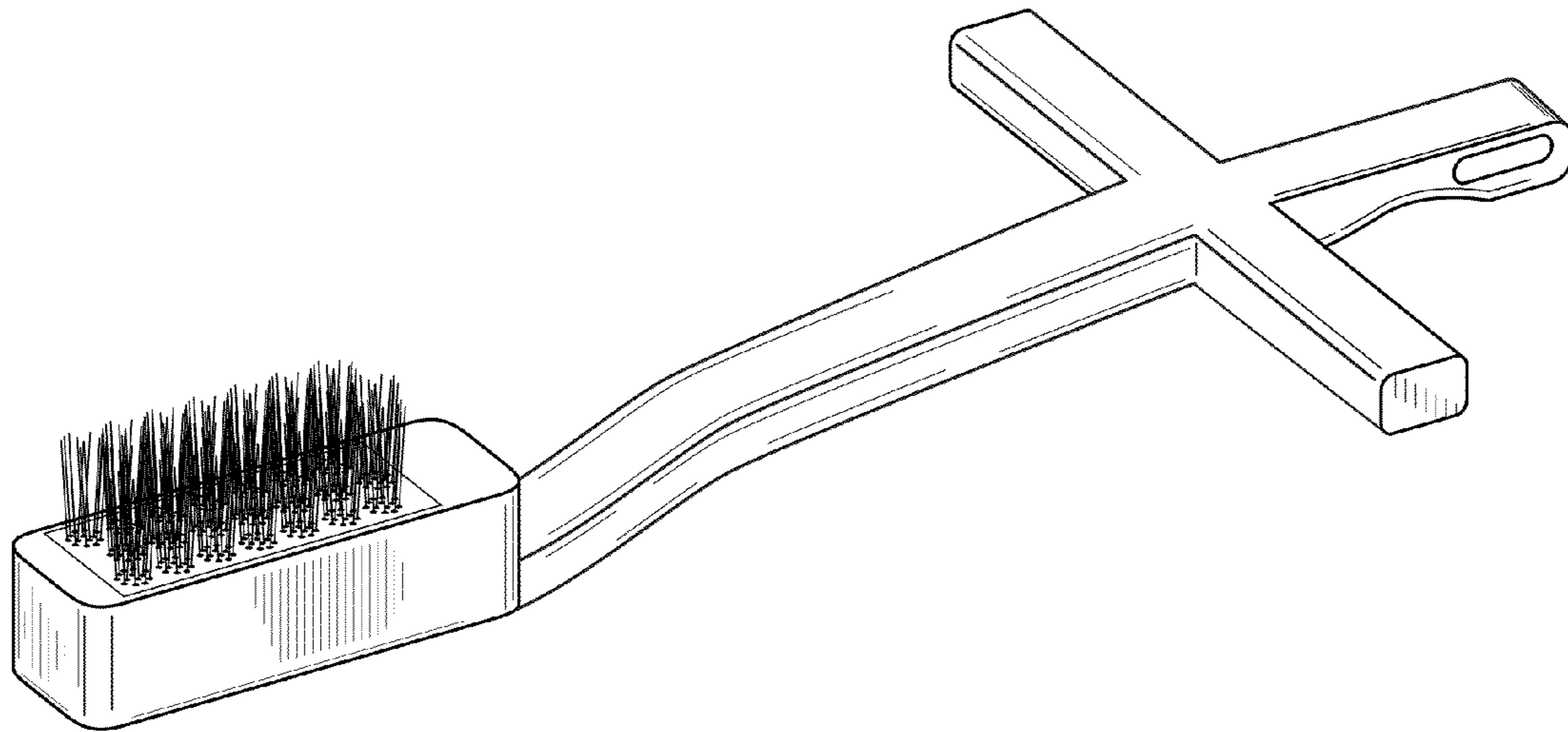


FIG. 1

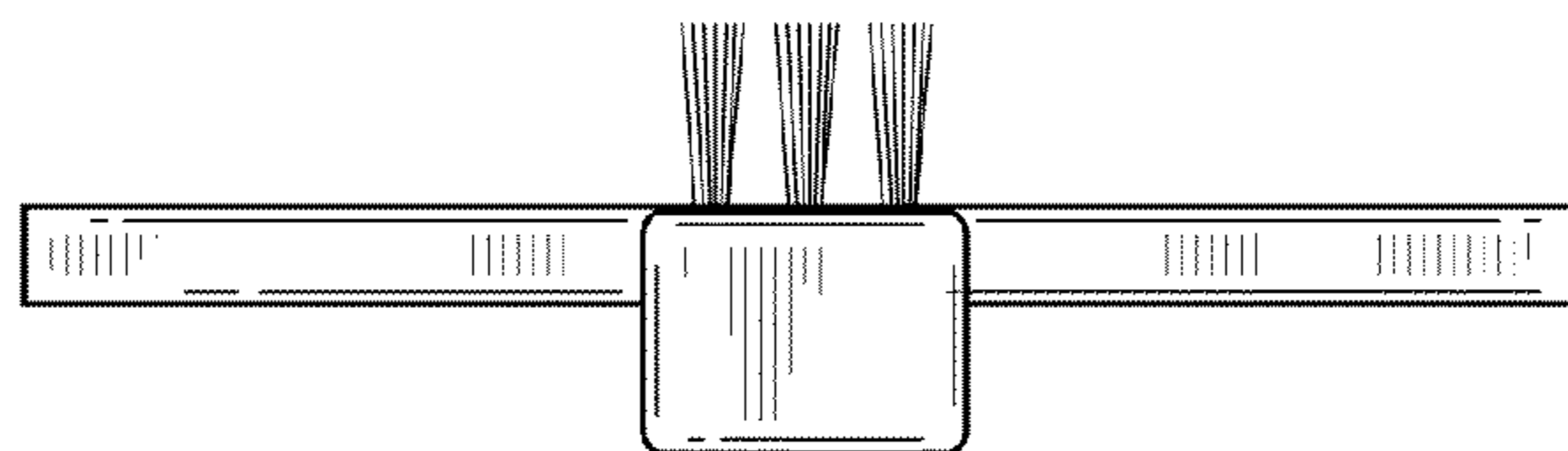


FIG. 2

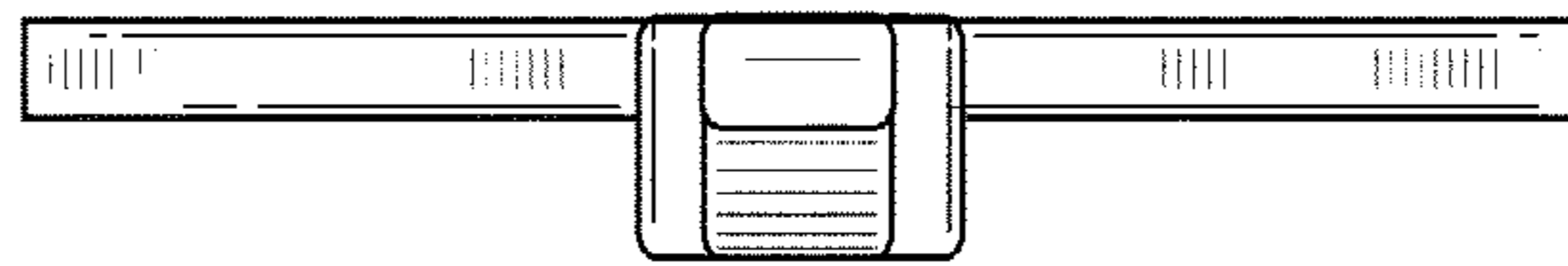


FIG. 3

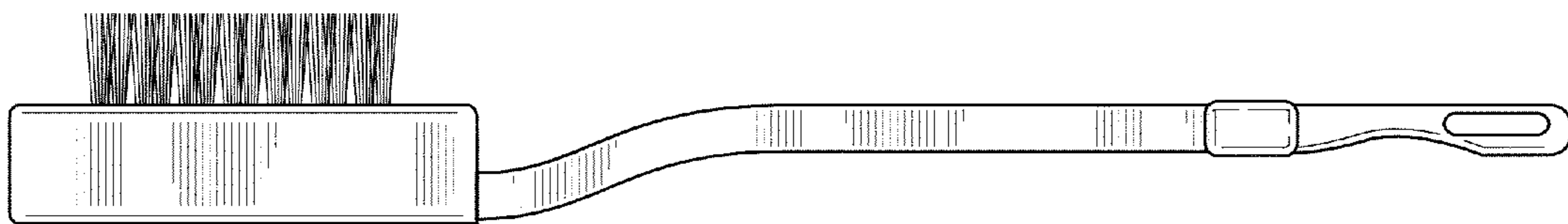


FIG. 4

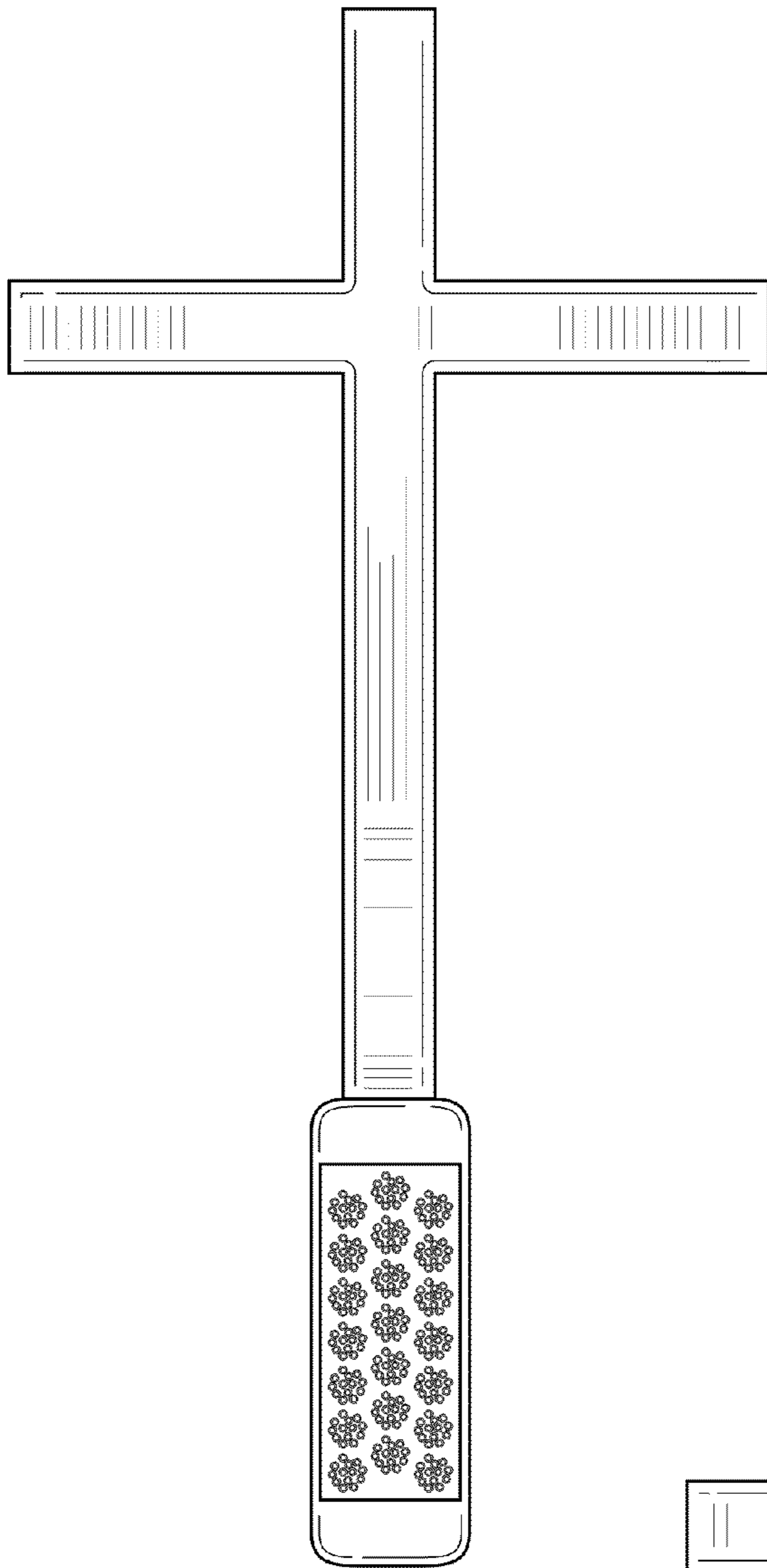


FIG. 5

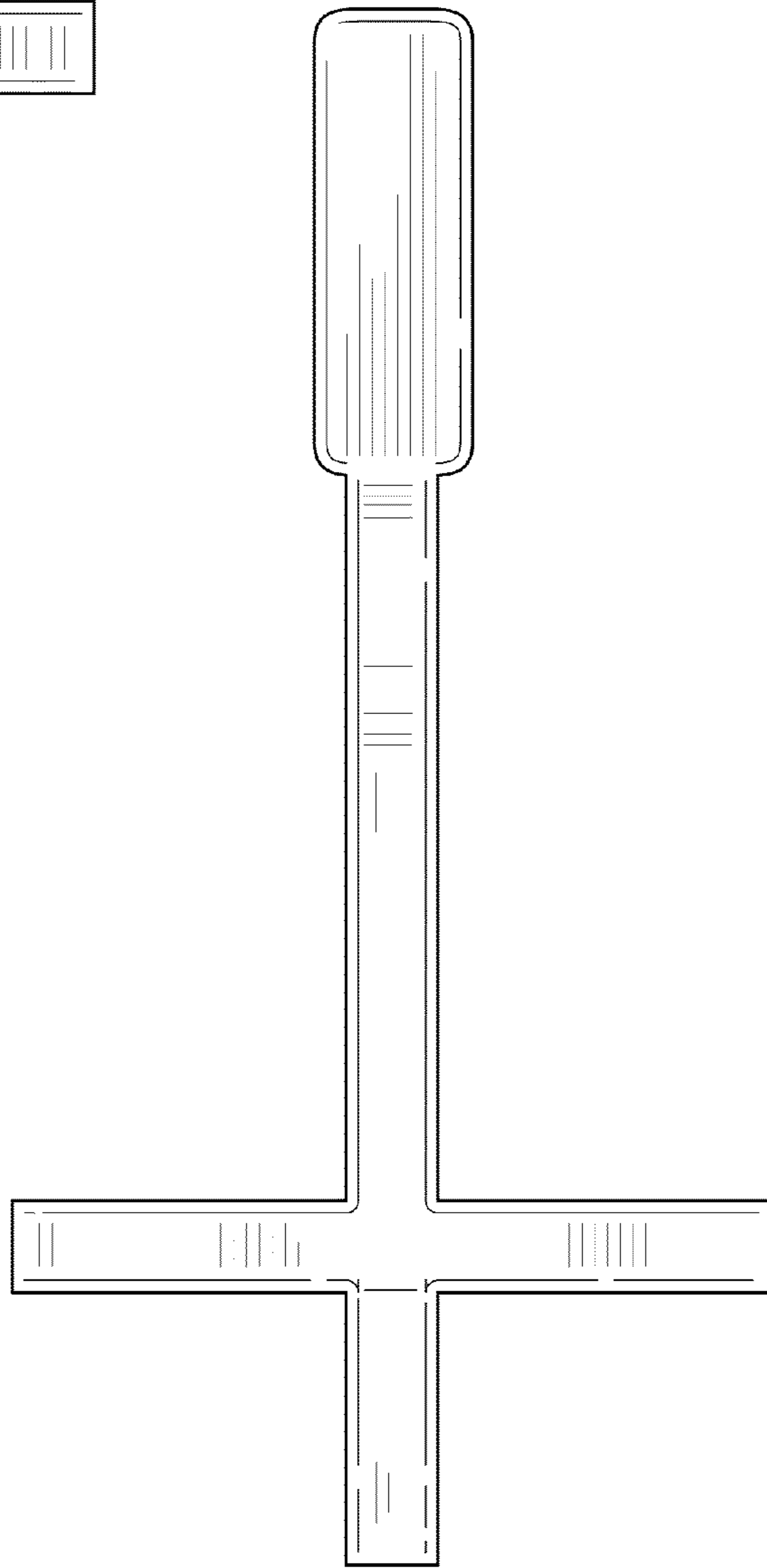


FIG. 6