



US00D707449S

(12) **United States Design Patent**  
**Enes**

(10) **Patent No.:** **US D707,449 S**  
(45) **Date of Patent:** **\*\* Jun. 24, 2014**

(54) **HUB FOR A STRAP SYSTEM**

(75) Inventor: **Seth M Enes**, Missoula, MT (US)

(73) Assignee: **Sun Mountain Sports, Inc.**, Missoula, MT (US)

(\*\*) Term: **14 Years**

(21) Appl. No.: **29/431,354**

(22) Filed: **Sep. 6, 2012**

(51) **LOC (10) Cl.** ..... **03-01**

(52) **U.S. Cl.**  
USPC ..... **D3/318**

(58) **Field of Classification Search**  
USPC ..... D3/318, 255; 224/645;  
206/315.2-315.8

See application file for complete search history.

(56) **References Cited**

**U.S. PATENT DOCUMENTS**

5,735,398 A \* 4/1998 Price ..... 206/315.3  
D394,553 S \* 5/1998 Lin ..... D3/318

D403,161 S \* 12/1998 Lin ..... D3/318  
6,152,342 A \* 11/2000 Suk ..... 224/645  
D436,136 S \* 1/2001 Young ..... D20/22  
7,131,534 B2 \* 11/2006 Enes ..... 206/315.3

\* cited by examiner

*Primary Examiner* — Holly Baynham

(74) *Attorney, Agent, or Firm* — Michael J. Hughes

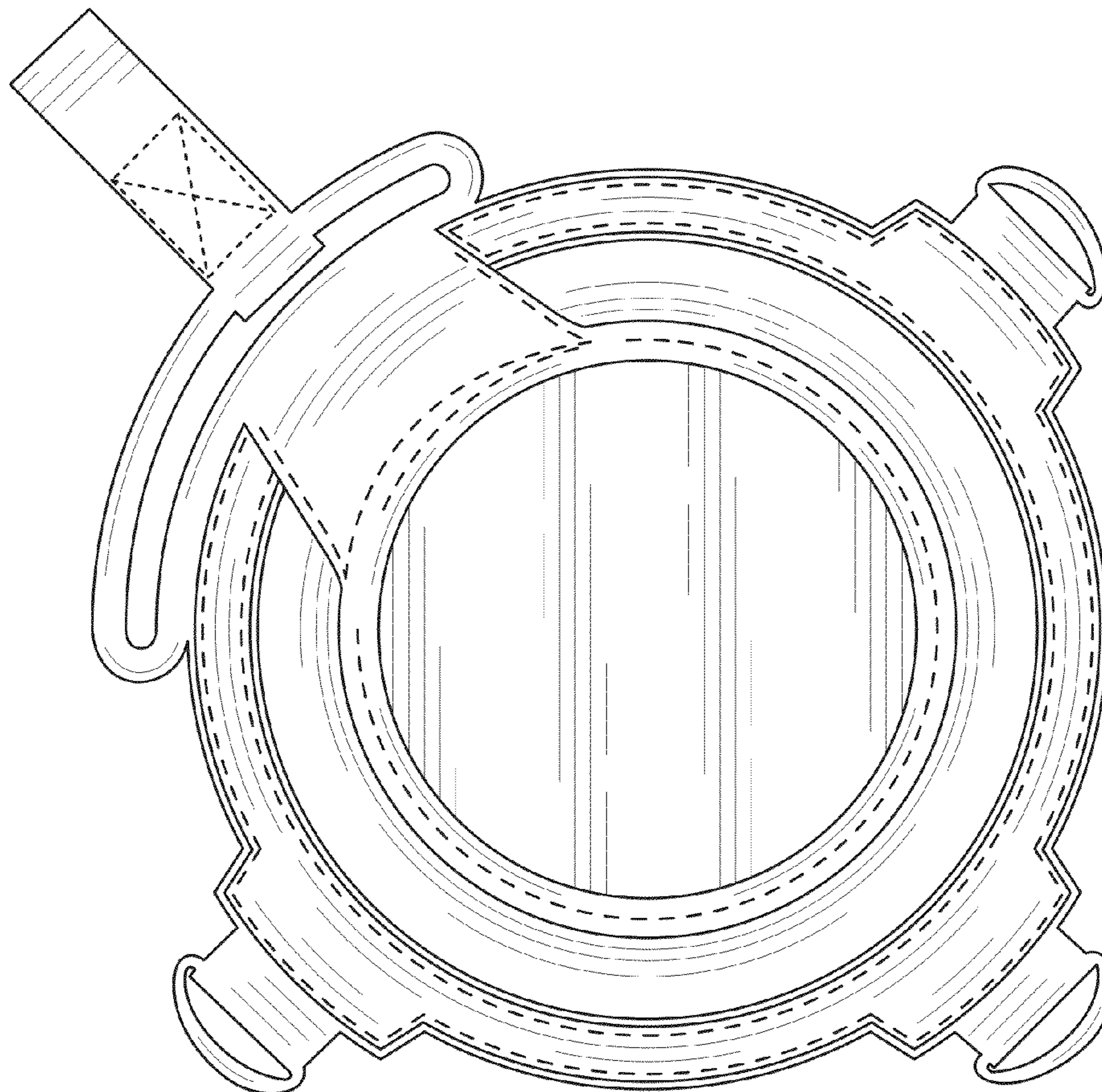
(57) **CLAIM**

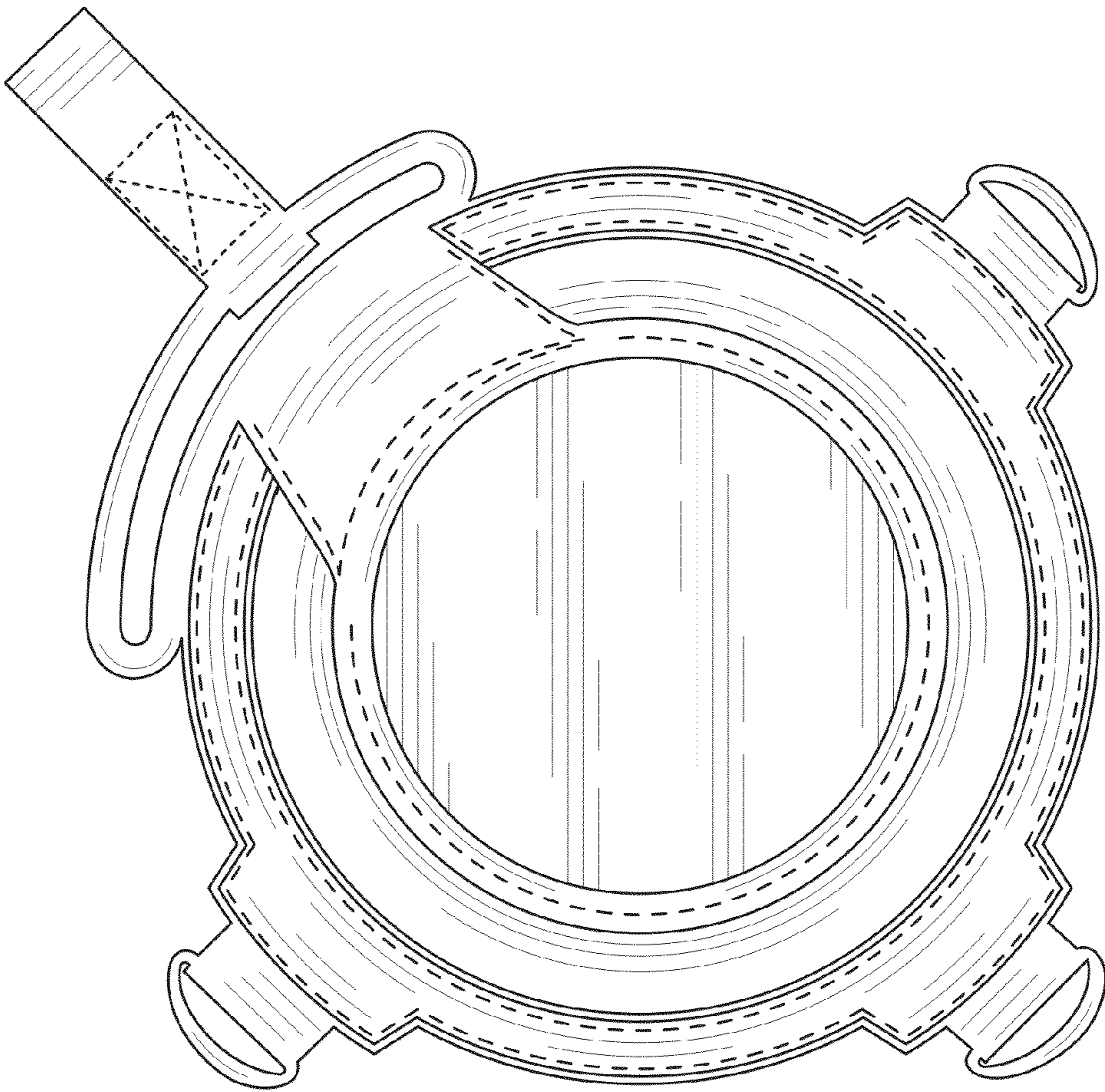
The ornamental design for a hub for a strap system, as shown and described.

**DESCRIPTION**

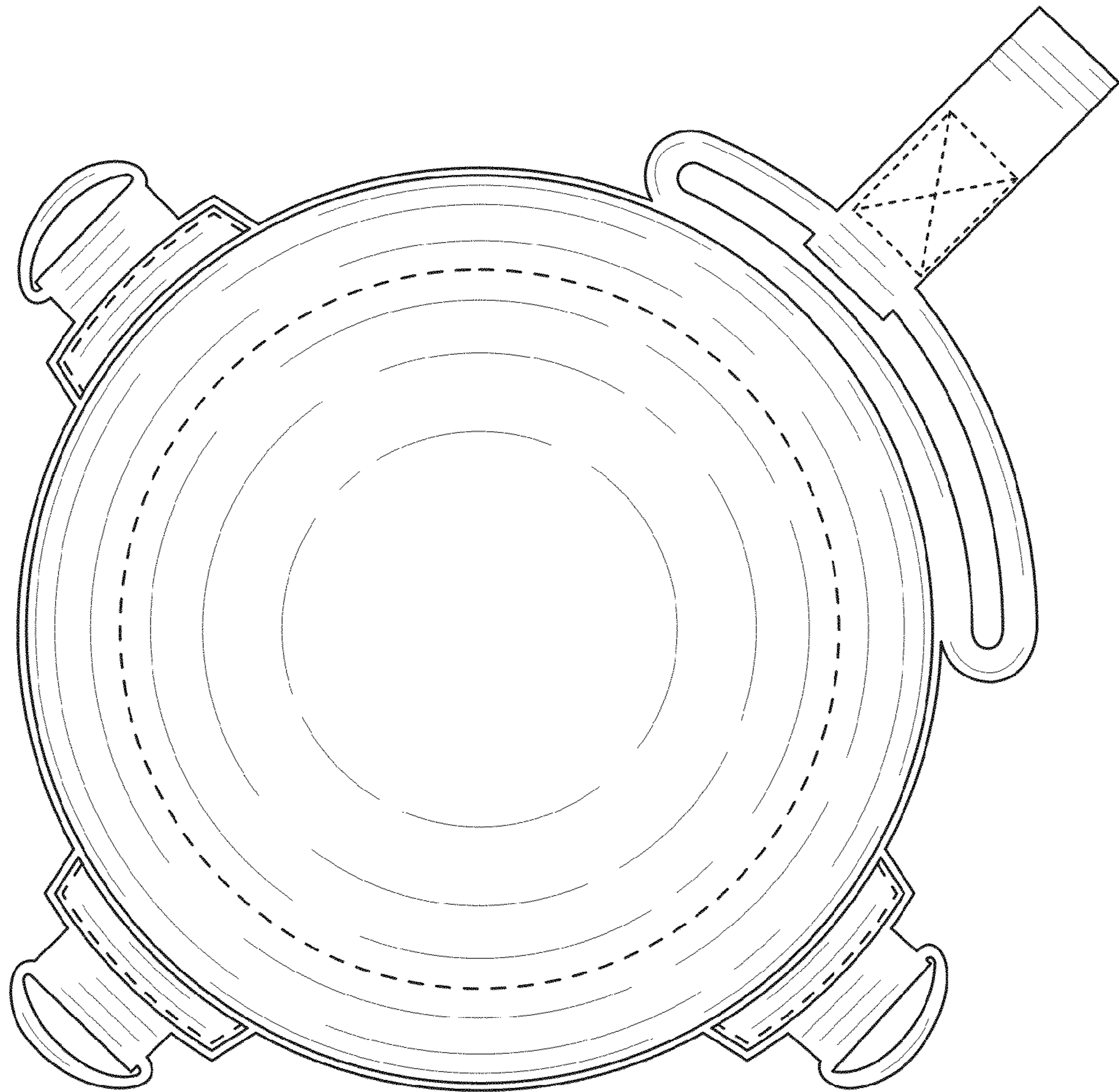
FIG. 1 is an obverse side view of the hub for a strap system of the present invention; and, FIG. 2 is a reverse side view thereof. The broken lines representing stitching are for the purposes of illustrating environment and form no part of the claimed design.

**1 Claim, 2 Drawing Sheets**





**FIG. 1**



**FIG. 2**