



US00D707446S

(12) **United States Design Patent**
Svahn

(10) **Patent No.:** **US D707,446 S**
(45) **Date of Patent:** **** Jun. 24, 2014**

- (54) **BOX INCLUDING A BASE AND LID**
- (75) Inventor: **Jesper Svahn**, Gothenburg (SE)
- (73) Assignee: **Swedish Match North Europe AB**, Stockholm (SE)
- (**) Term: **14 Years**
- (21) Appl. No.: **29/416,347**
- (22) Filed: **Mar. 21, 2012**
- (51) **LOC (10) Cl.** **03-01**
- (52) **U.S. Cl.**
USPC **D3/273**
- (58) **Field of Classification Search**
USPC D3/294, 302; 206/278, 215, 555, 1.5
See application file for complete search history.

- (56) **References Cited**
U.S. PATENT DOCUMENTS
- D356,256 S * 3/1995 Romanoff D3/282
- D531,802 S * 11/2006 Zimmerman D3/302
- D598,197 S * 8/2009 Ahlstrom D3/323

* cited by examiner

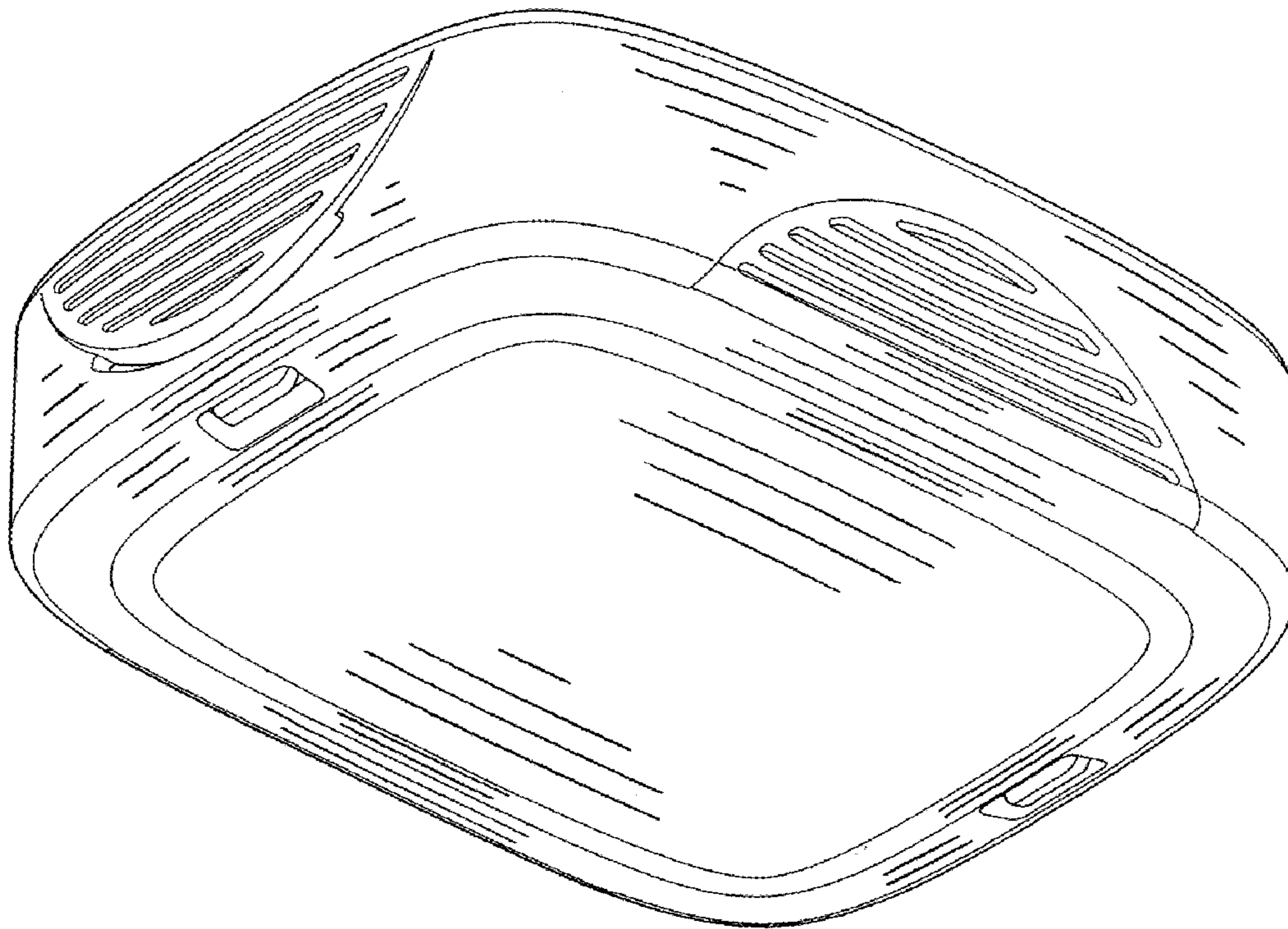
Primary Examiner — Holly Baynham
(74) *Attorney, Agent, or Firm* — Renner, Otto, Boisselle & Sklar, LLP

(57) **CLAIM**
The ornamental design for a box including a base and lid, as shown and described.

DESCRIPTION

FIG. 1 is a bottom perspective view of box including a base and lid showing my new design.
FIG. 2 is a top view thereof.
FIG. 3 is a bottom view thereof.
FIG. 4 is a side view thereof.
FIG. 5 is an opposite side view thereof.
FIG. 6 is an end view thereof; and,
FIG. 7 is an opposite end view thereof.
The box including a base and lid has particular application for containing snus, snuff, tobacco, snuff bags, pills and/or other, particularly small, articles.

1 Claim, 6 Drawing Sheets



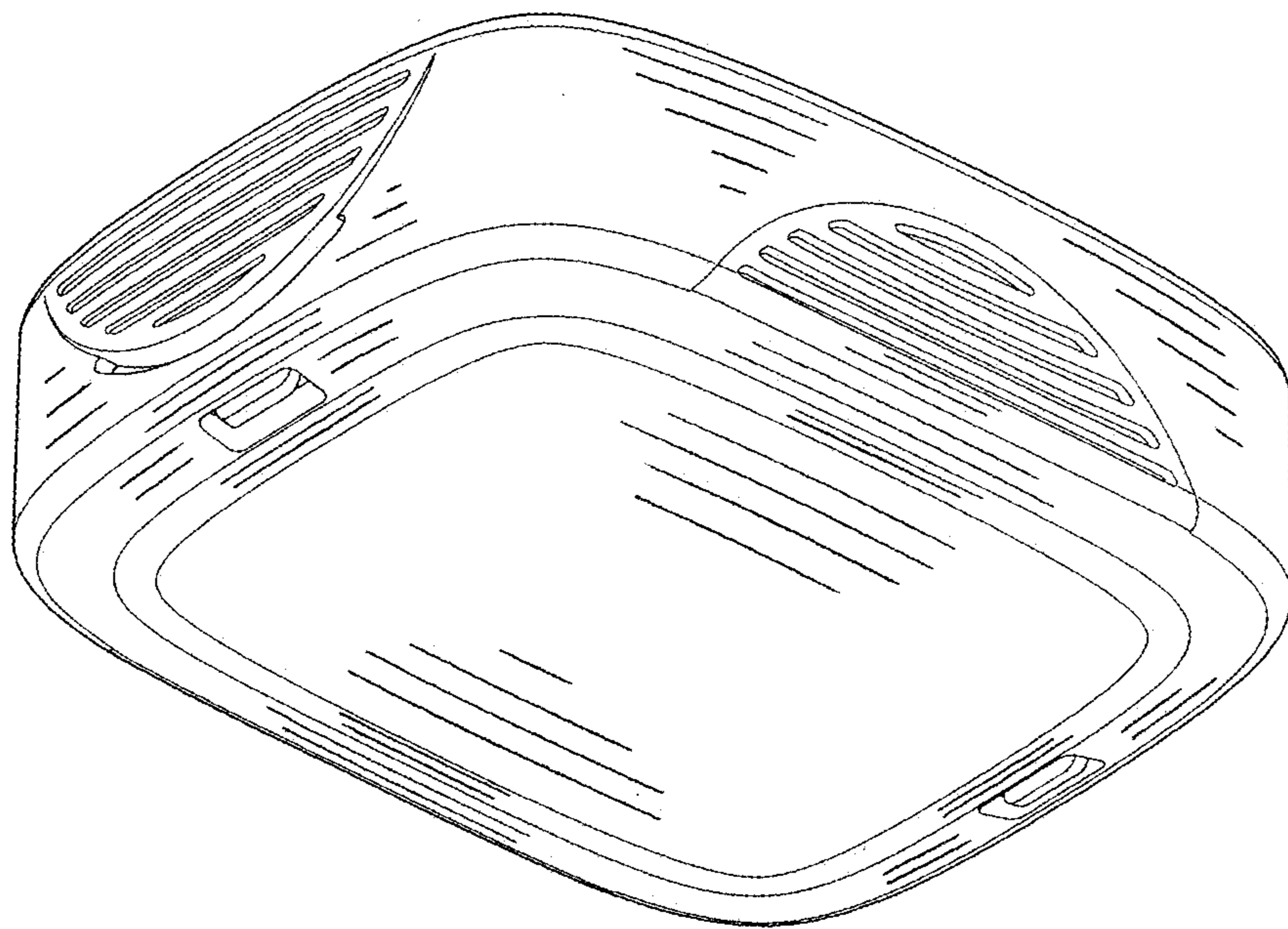


FIG. 1

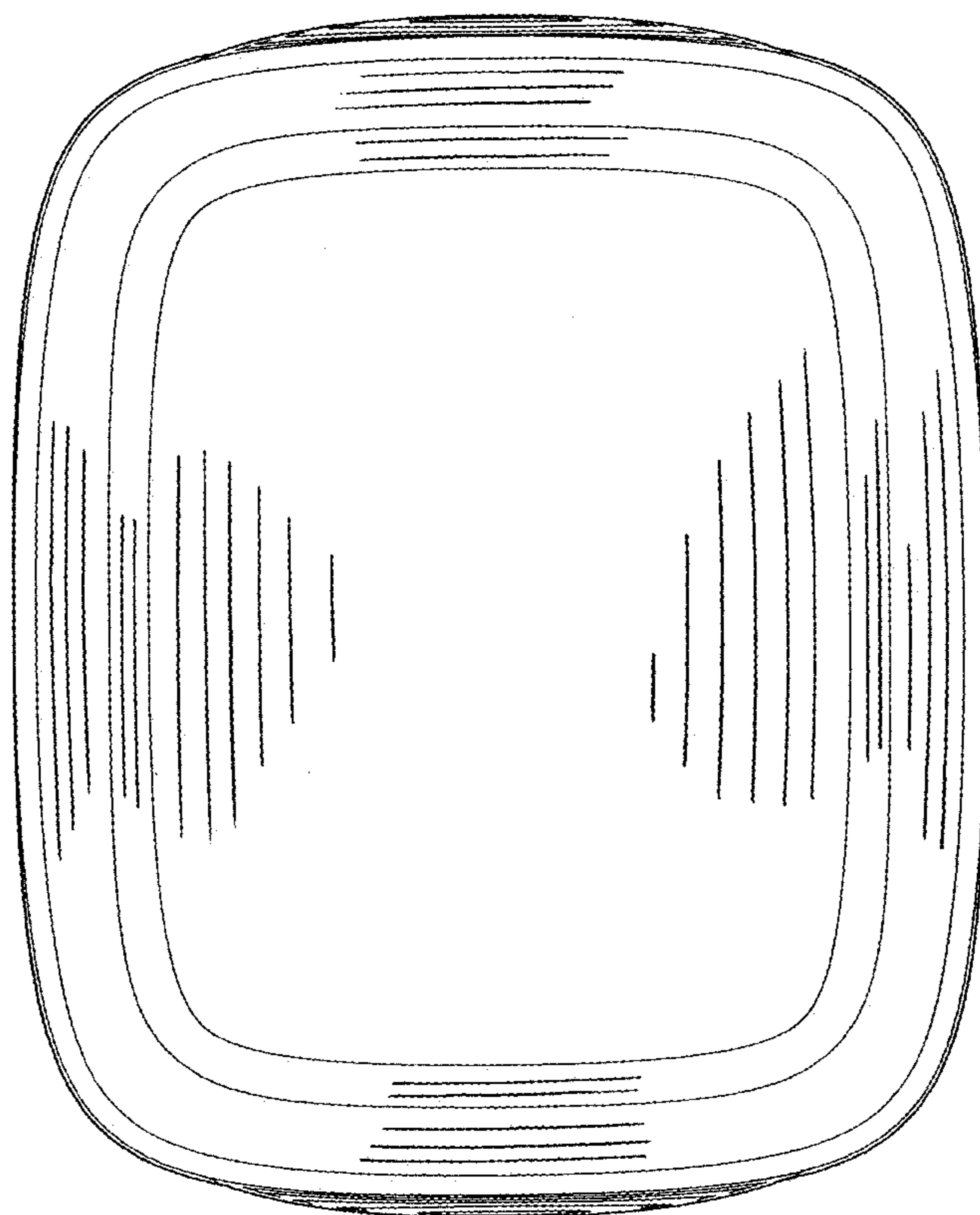


FIG. 2

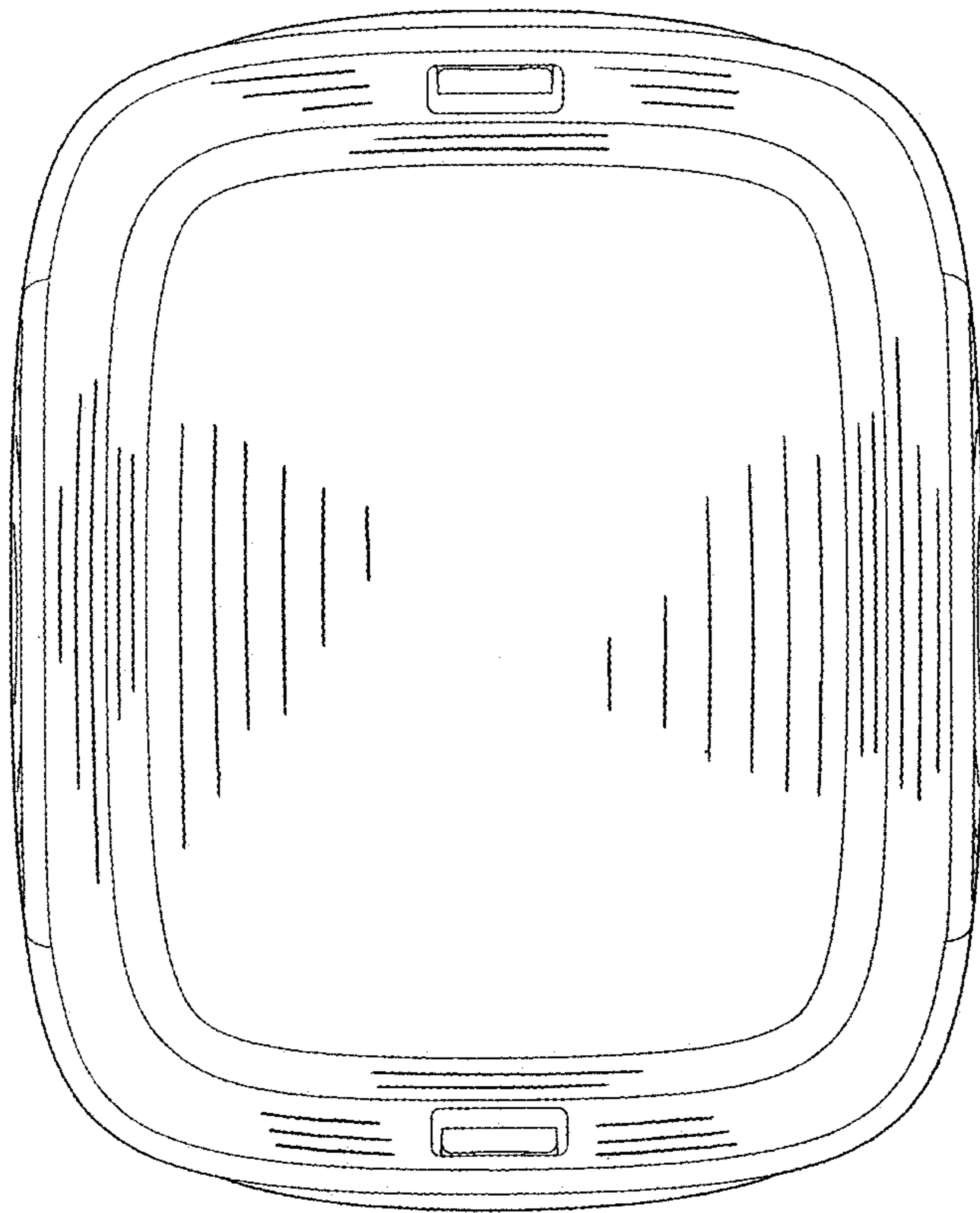


FIG. 3

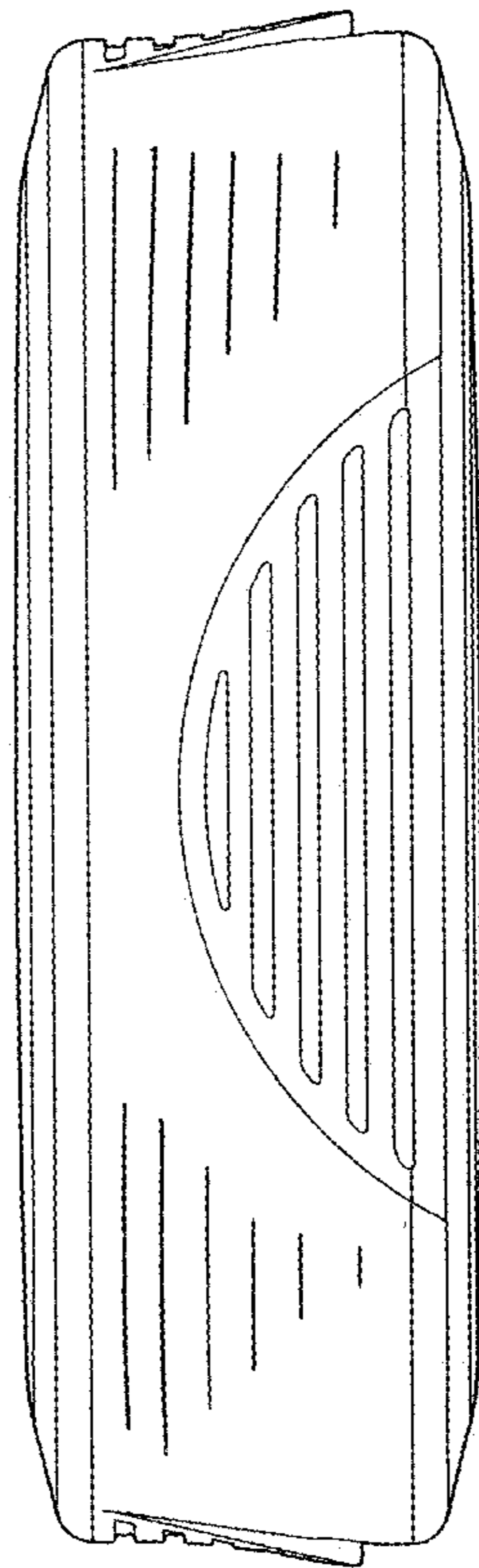


FIG. 4

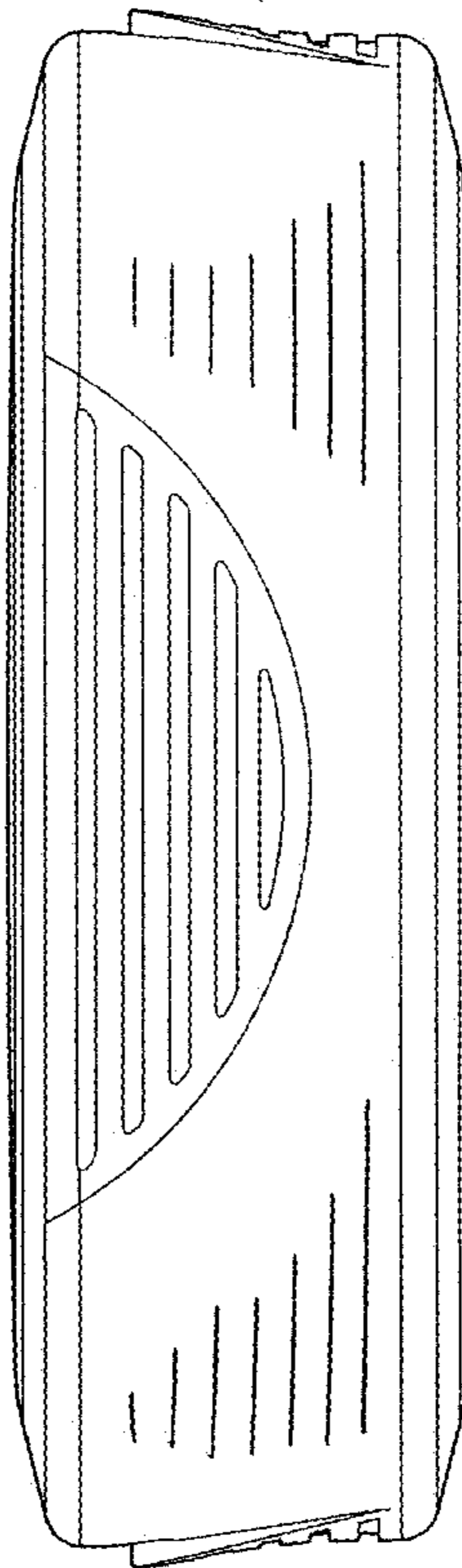


FIG. 5

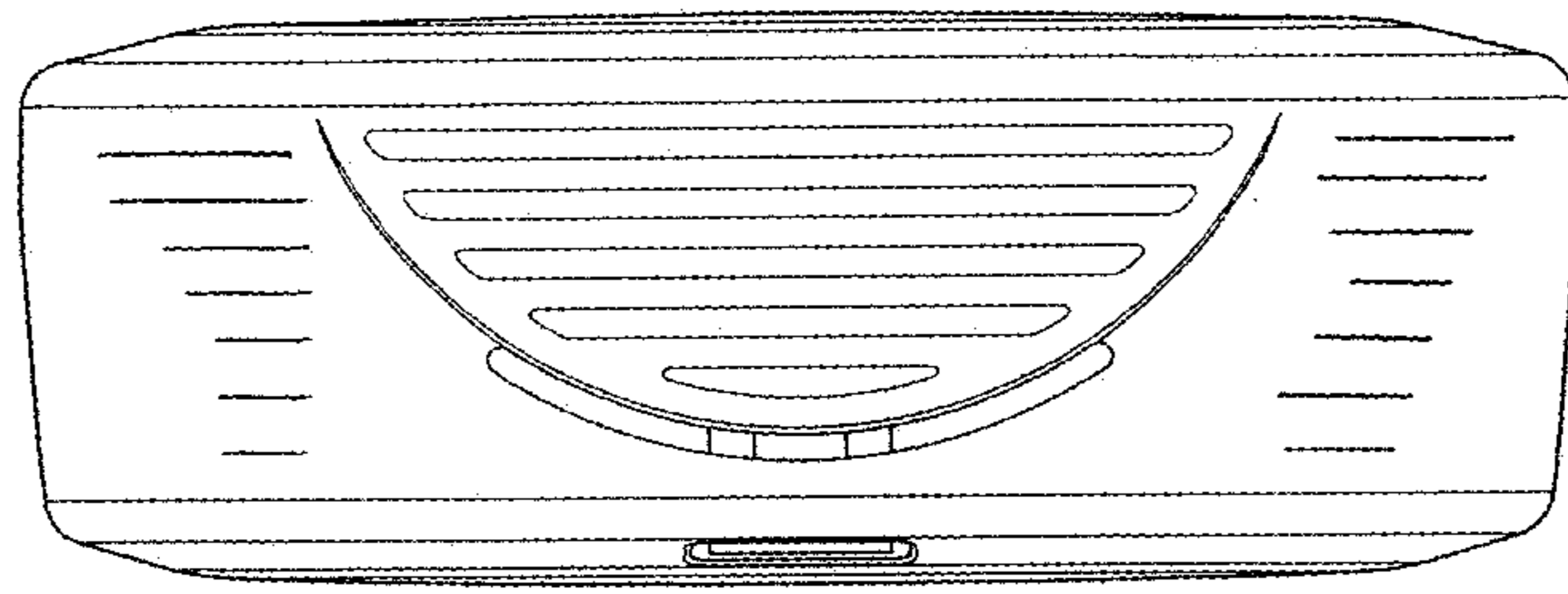


FIG. 6

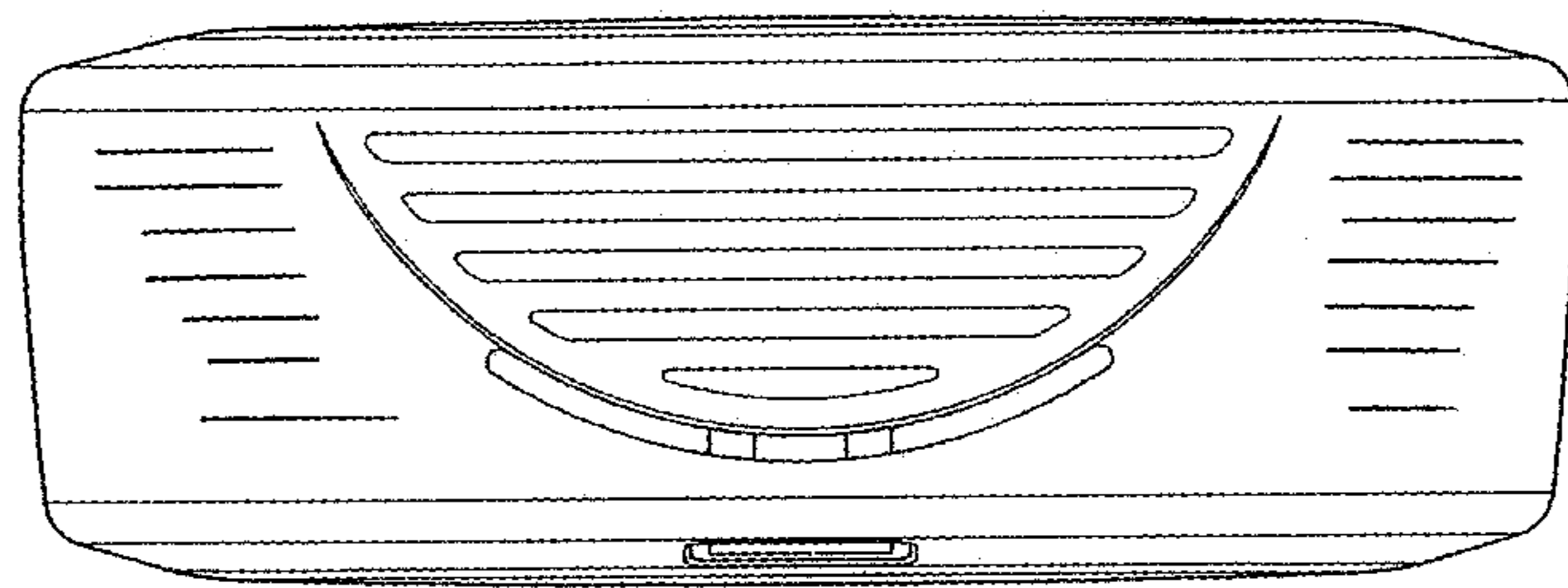


FIG. 7