



US00D707444S

(12) **United States Design Patent**
Murphy, Jr.

(10) **Patent No.:** **US D707,444 S**
(45) **Date of Patent:** **** Jun. 24, 2014**

- (54) **EYEGGLASS HOLDER**
- (71) Applicant: **H. Stetser Murphy, Jr.**, Marietta, GA
(US)
- (72) Inventor: **H. Stetser Murphy, Jr.**, Marietta, GA
(US)
- (**) Term: **14 Years**
- (21) Appl. No.: **29/450,555**
- (22) Filed: **Mar. 19, 2013**
- (51) **LOC (10) Cl.** **03-01**
- (52) **U.S. Cl.**
USPC **D3/266**
- (58) **Field of Classification Search**
CPC G02C 11/00; G02C 3/003; G02C 3/04;
A45F 5/022; A45C 11/04
USPC D3/215, 219, 233, 249, 263-266;
D11/208, 209, 211, 223; 206/5, 13;
351/155, 157; 24/3.3, 3.8; D19/65, 86
See application file for complete search history.

4,237,587	A	*	12/1980	Hsiao et al.	24/555
D372,937	S	*	8/1996	Anders	D19/65
D471,709	S	*	3/2003	Coyne	D3/266
D514,310	S	*	2/2006	Roye	D3/207
D586,027	S	*	2/2009	Wykes et al.	D26/65
D590,443	S	*	4/2009	Goldman et al.	D19/65
D623,457	S	*	9/2010	Chen	D6/566
D649,348	S	*	11/2011	Murphy, Jr.	D3/266
2003/0229971	A1	*	12/2003	Coyne	24/3.3
2006/0055866	A1	*	3/2006	Dietz	351/41
2009/0083945	A1	*	4/2009	Huang	24/67.11

* cited by examiner

Primary Examiner — Thomas Johannes
Assistant Examiner — Holly E Thurman

(57) **CLAIM**

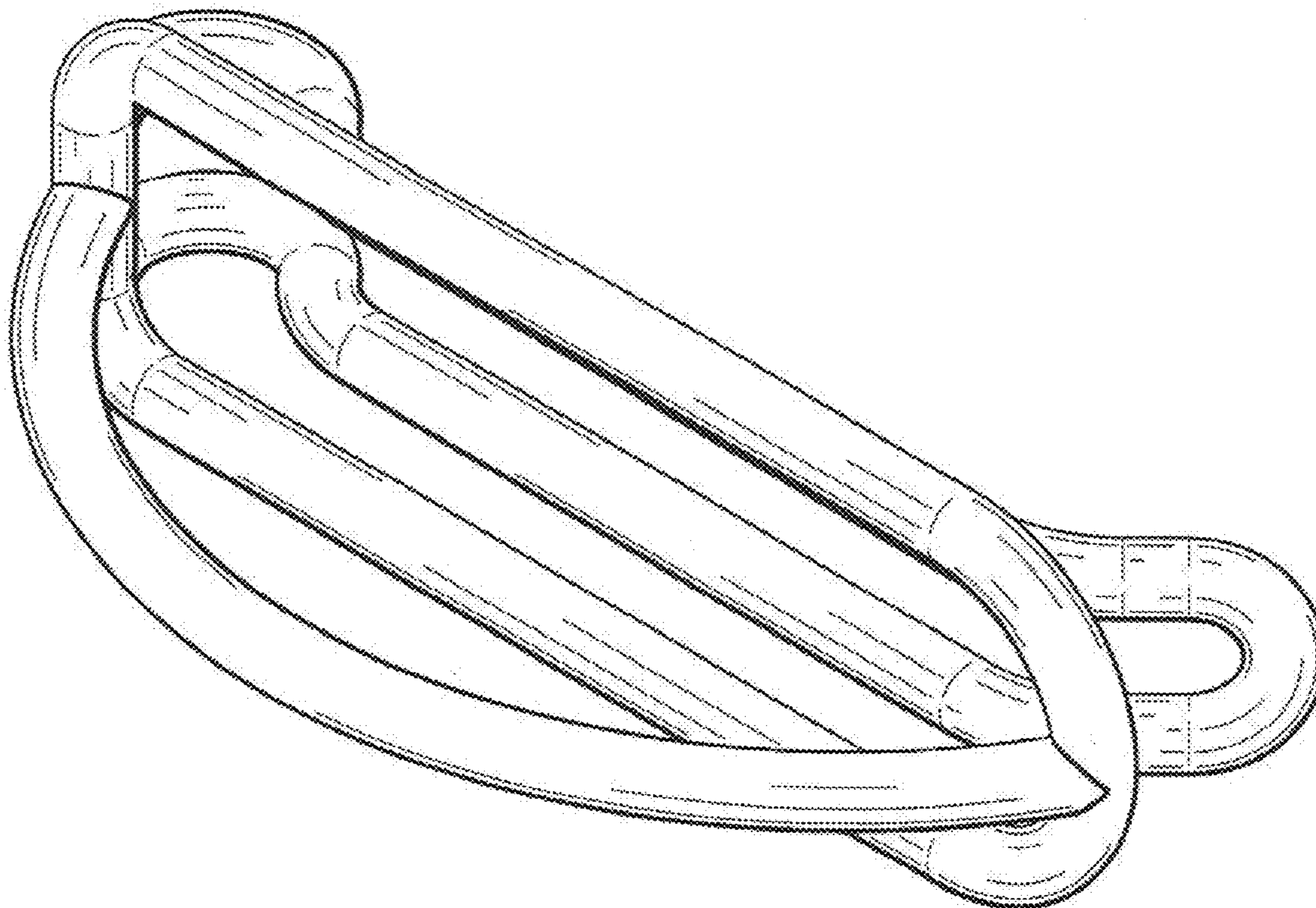
I claim the ornamental design for an eyeglass holder, as shown and described.

DESCRIPTION

FIG. 1 is a perspective of an eyeglass holder showing my new design;
FIG. 2 is front view thereof;
FIG. 3 is a view of the first side thereof;
FIG. 4 is bottom view thereof;
FIG. 5 is a view of the second side thereof;
FIG. 6 is a top view thereof; and,
FIG. 7 is a perspective view thereof.

1 Claim, 3 Drawing Sheets

- (56) **References Cited**
U.S. PATENT DOCUMENTS
D28,534 S * 5/1898 Thomson D8/395
D248,515 S * 7/1978 Olson D3/207



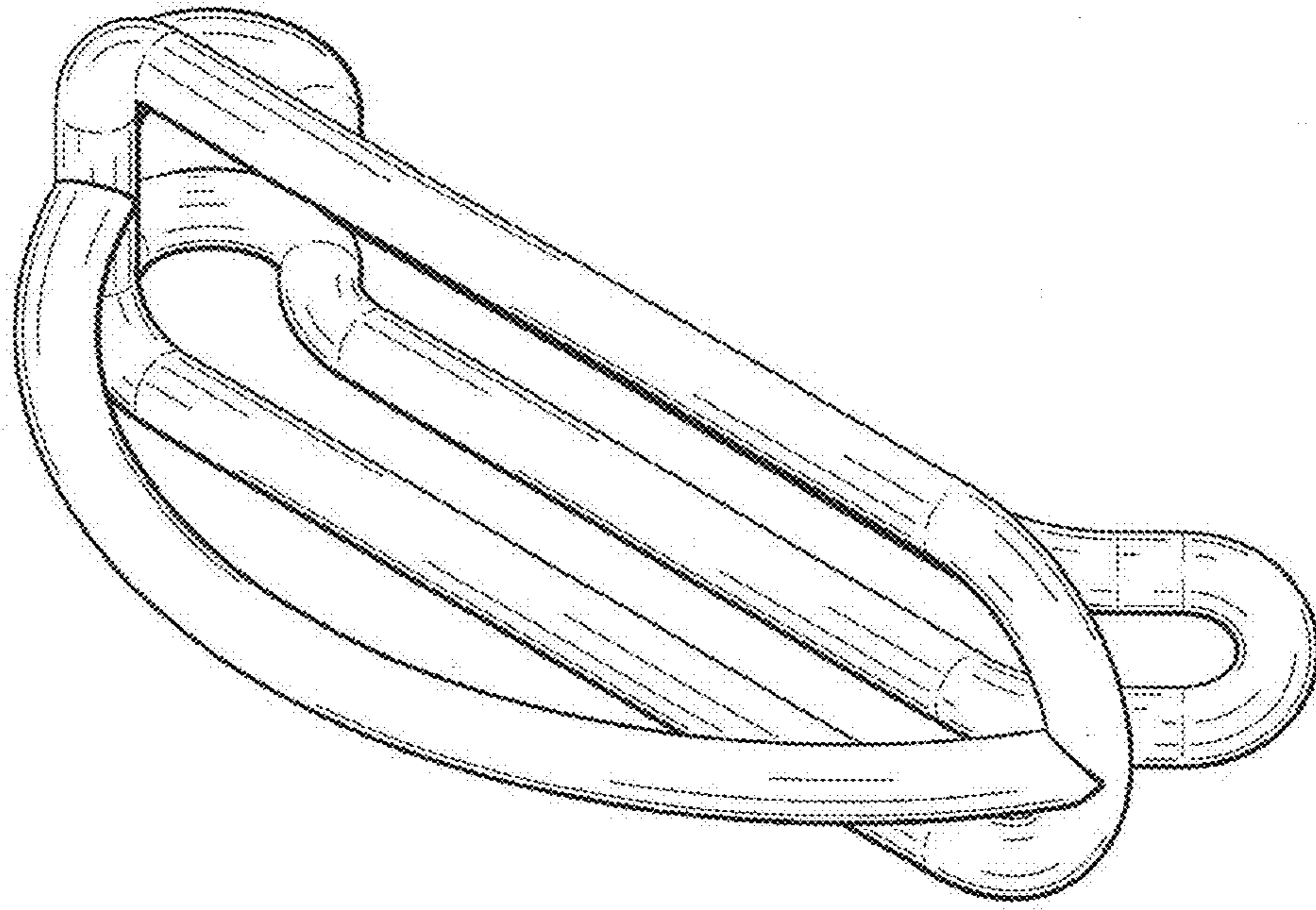


FIG. 1

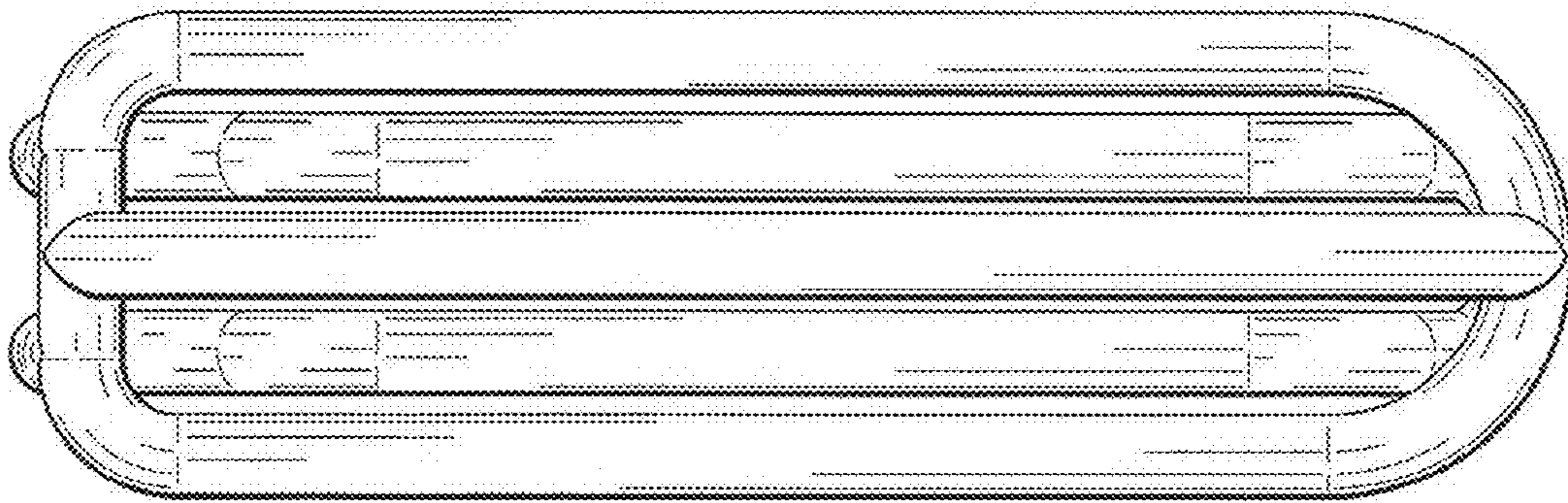


FIG. 2

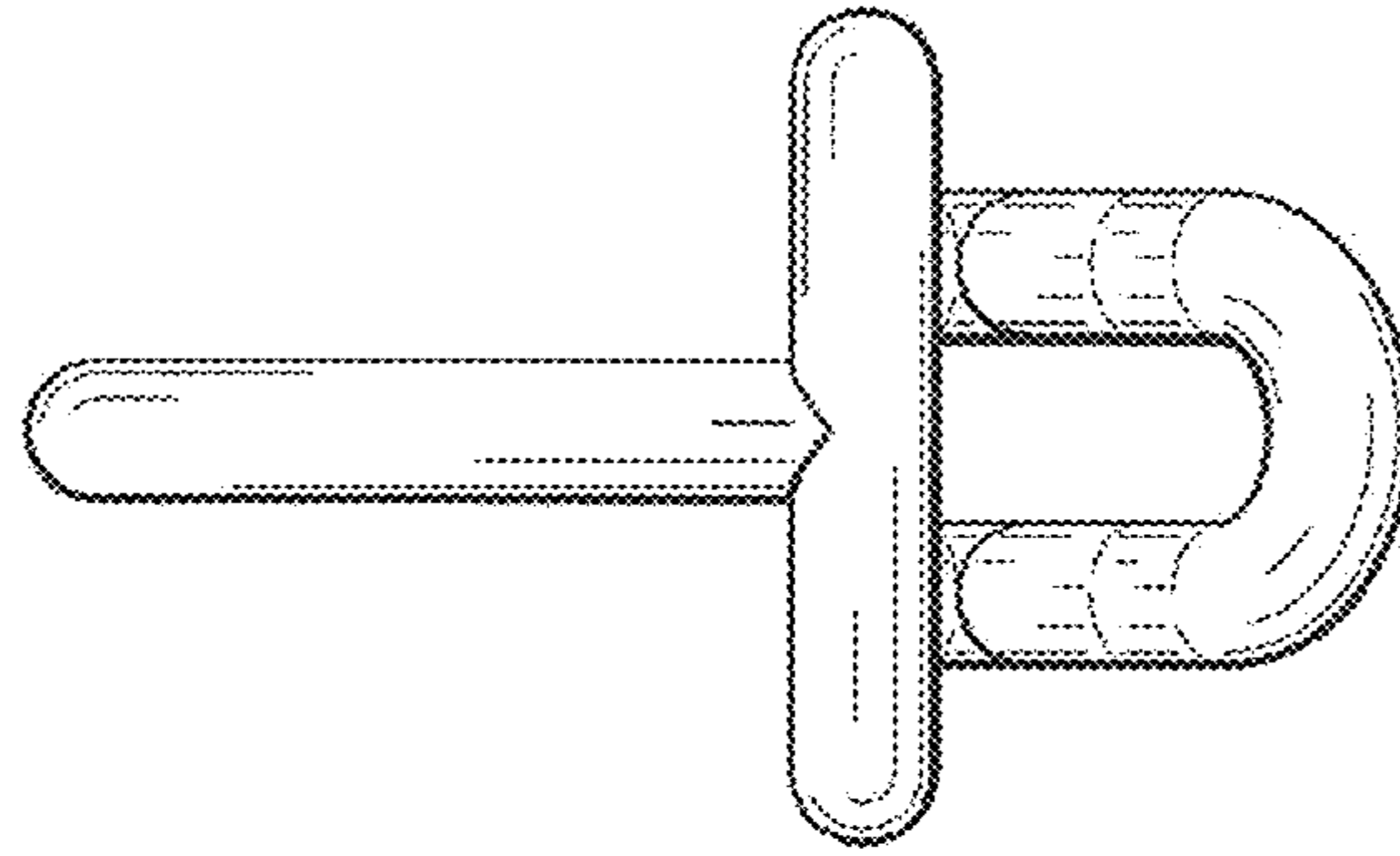


FIG. 3

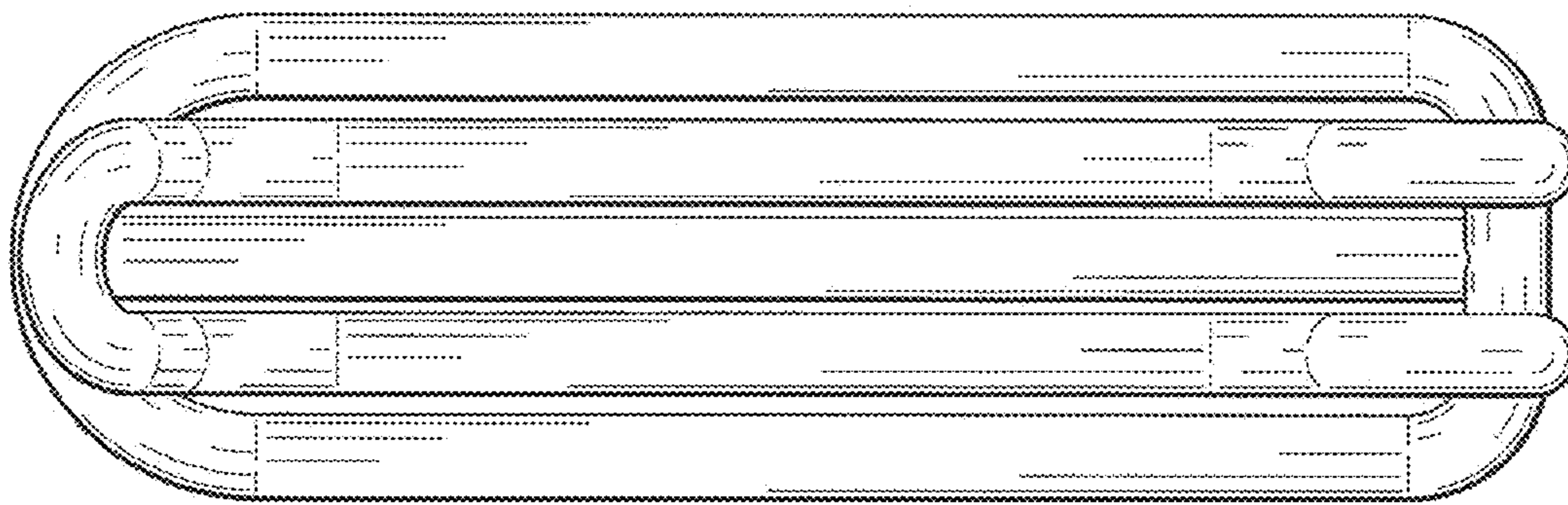


FIG. 4

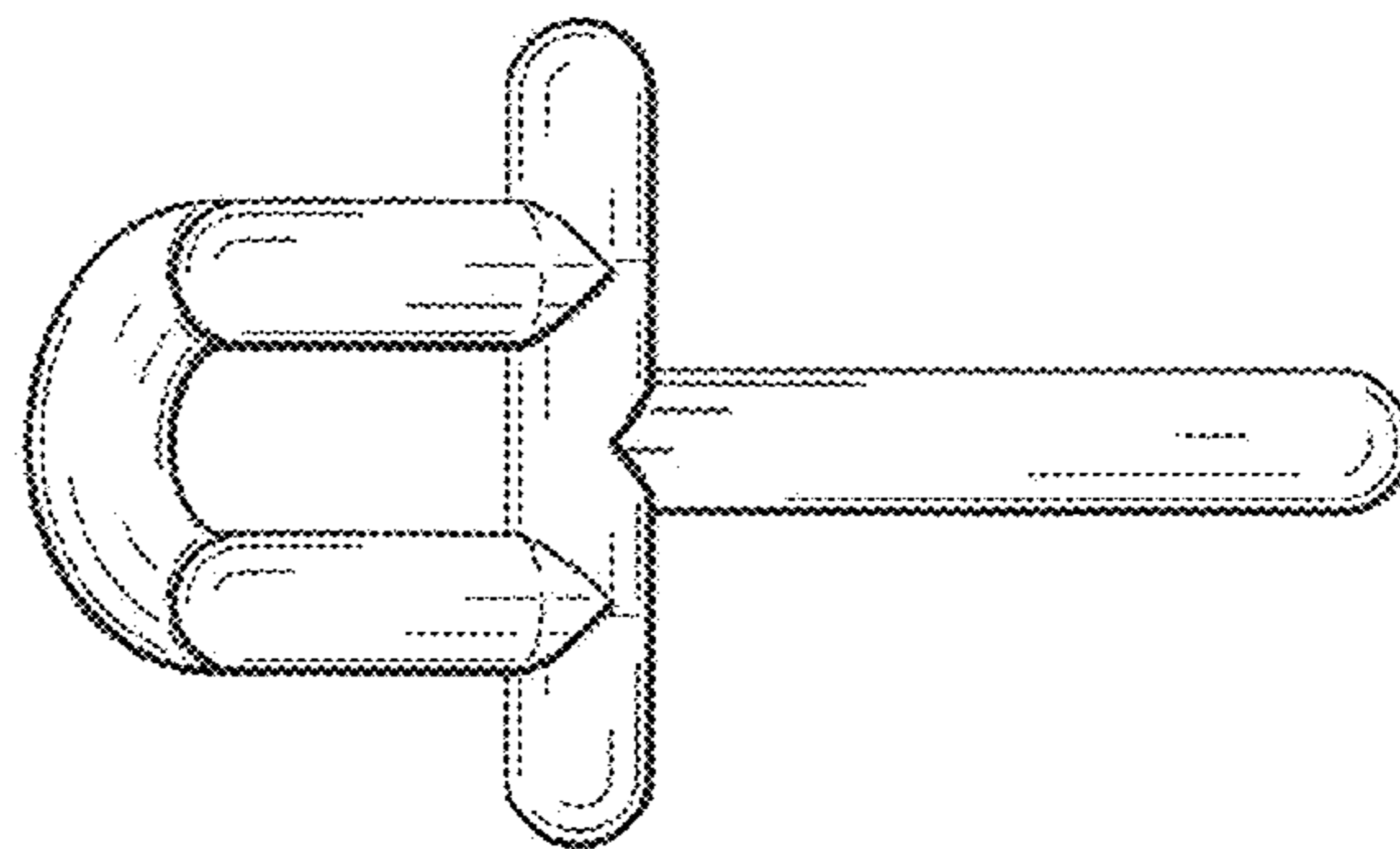


FIG. 5

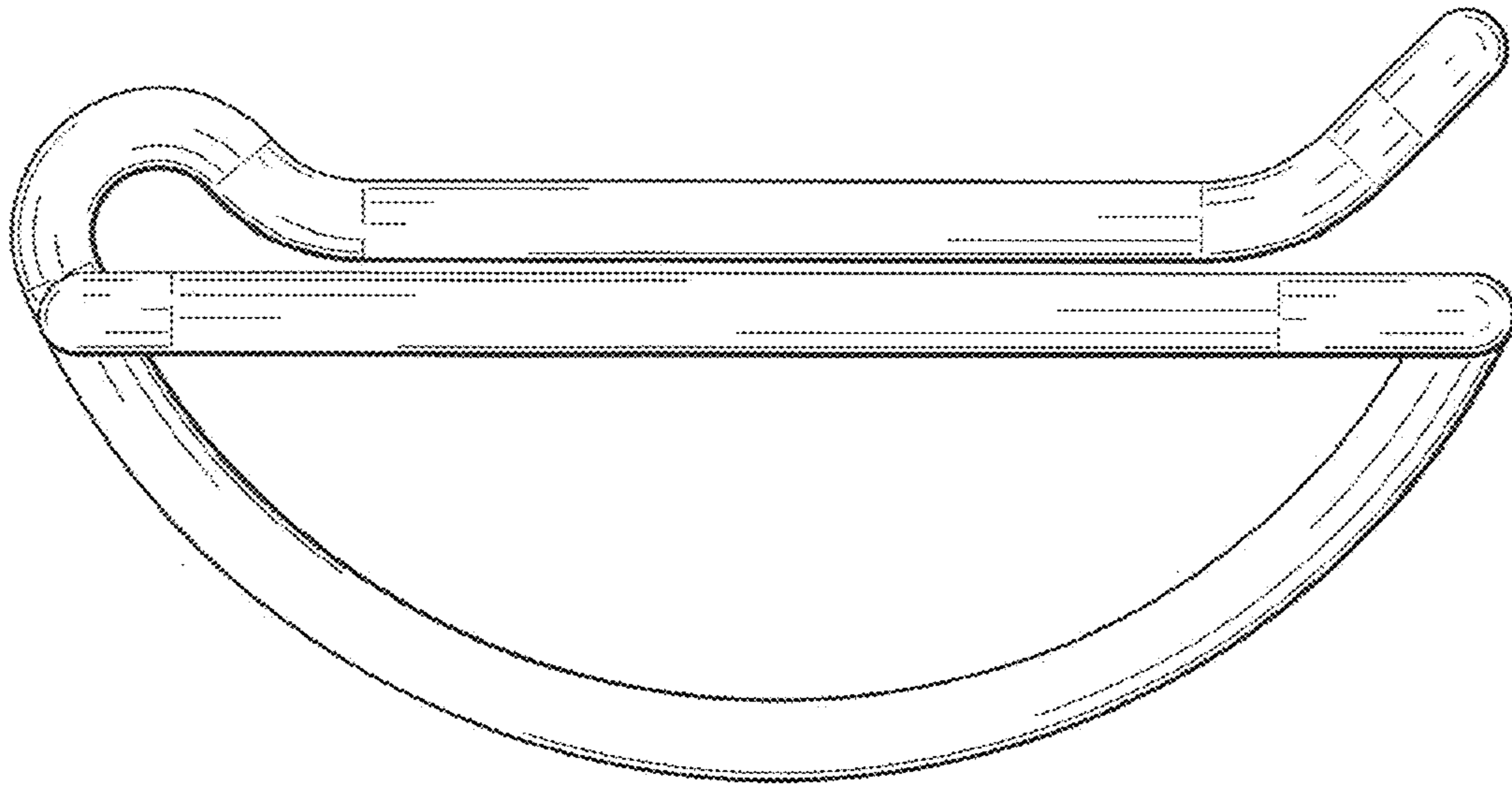


FIG. 6

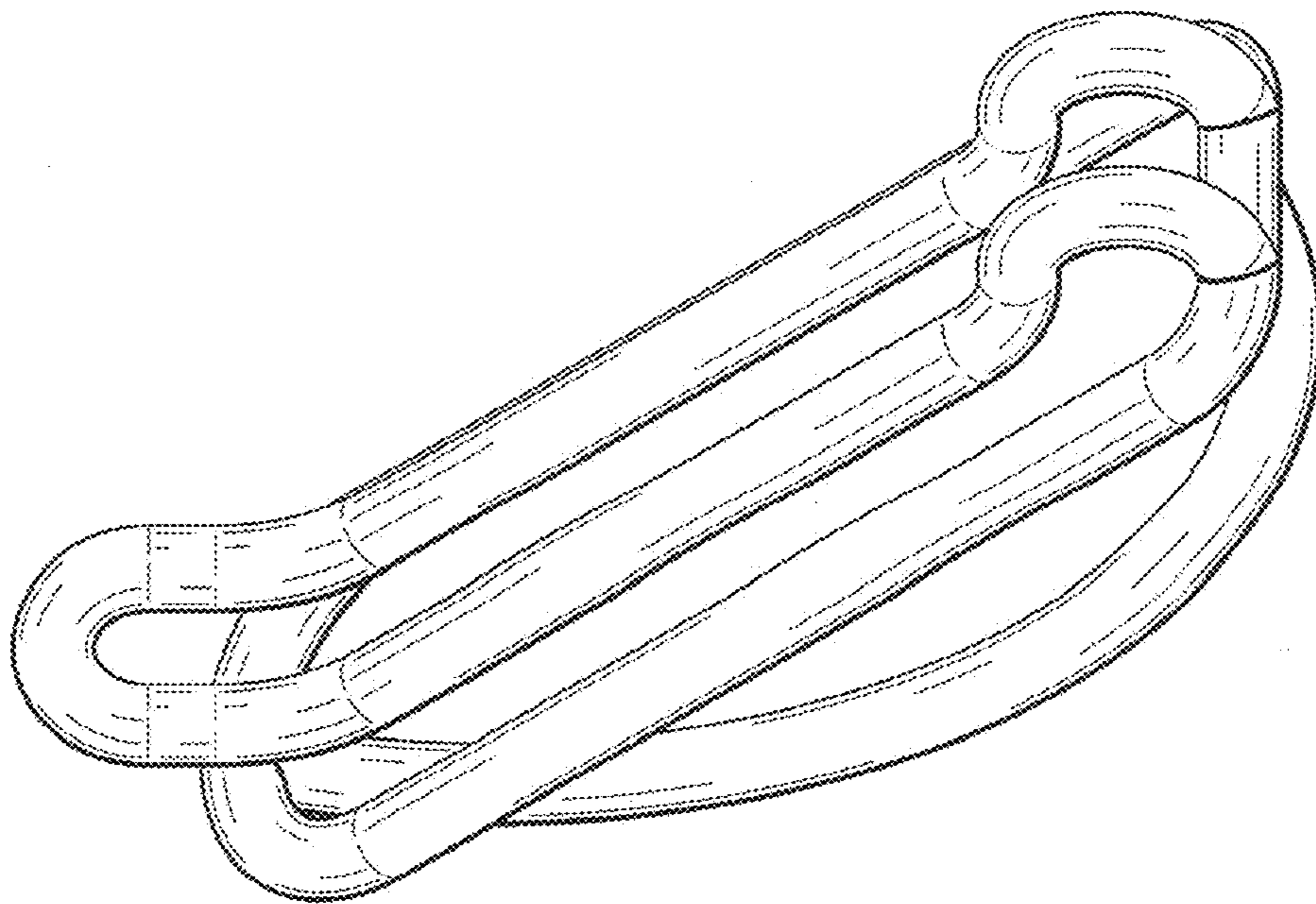


FIG. 7