



US00D707435S

(12) **United States Design Patent**
Ng

(10) **Patent No.:** **US D707,435 S**
(45) **Date of Patent:** **** Jun. 24, 2014**

(54) **FOOTWEAR UPPER**

D637,805 S * 5/2011 MacIntyre D2/970
D638,212 S * 5/2011 Blakeslee D2/970
D661,080 S 6/2012 Ng

(71) Applicant: **Deckers Outdoor Corporation**, Goleta,
CA (US)

(72) Inventor: **Natalie Ng**, Goleta, CA (US)

(73) Assignee: **Deckers Outdoor Corporation**, Goleta,
CA (US)

(**) Term: **14 Years**

(21) Appl. No.: **29/471,639**

(22) Filed: **Nov. 4, 2013**

(51) **LOC (10) Cl.** **02-04**

(52) **U.S. Cl.**
USPC **D2/970; D2/911; D2/920**

(58) **Field of Classification Search**
USPC D2/896, 900, 909-911, 943, 946, 969,
D2/970, 974; 36/83, 1.5, 2 R, 109, 3 A,
36/7.1 R, 45, 52, 112, 100
See application file for complete search history.

(56) **References Cited**

U.S. PATENT DOCUMENTS

D499,860 S * 12/2004 Loader D2/899
D561,983 S * 2/2008 FitzGerald D2/909
D582,650 S * 12/2008 Uratsu D2/970
D629,596 S 12/2010 Ng
D630,424 S * 1/2011 Larson D2/970
D630,832 S * 1/2011 Ng D2/970
D630,833 S 1/2011 Ng
D634,919 S 3/2011 MacIntyre

OTHER PUBLICATIONS

UGG Australia Tularosa Route 'Detachable' Boot with Removable Knit Overlay (Woman) model; <http://shop.nordstrom.com/s/ugg-australia-tularosa-route-detachable-boot-with-removable-knit-overlay-women/3167819> Nov. 1, 2011.

* cited by examiner

Primary Examiner — Robert M Spear

Assistant Examiner — Rashida C McCoy

(74) *Attorney, Agent, or Firm* — Greer, Burns & Crain Ltd.

(57) **CLAIM**

The ornamental design for a footwear upper, as shown and described.

DESCRIPTION

FIG. 1 is a perspective view of a footwear upper showing my new design;
FIG. 2 is a side elevational view thereof;
FIG. 3 is an opposite side elevational view thereof;
FIG. 4 is a front elevational view thereof;
FIG. 5 is a rear elevational view thereof;
FIG. 6 is a top plan view thereof; and,
FIG. 7 is a bottom plan view thereof.

The broken lines in FIGS. 1-7 represent portions of the footwear that form no part of the claimed design. The broken line located between the exterior and the interior of the footwear upper, and the dot-dash line define the bounds of the claimed design and form no part thereof. The shading represents a knit or crocheted material that forms a portion of the footwear upper.

1 Claim, 5 Drawing Sheets

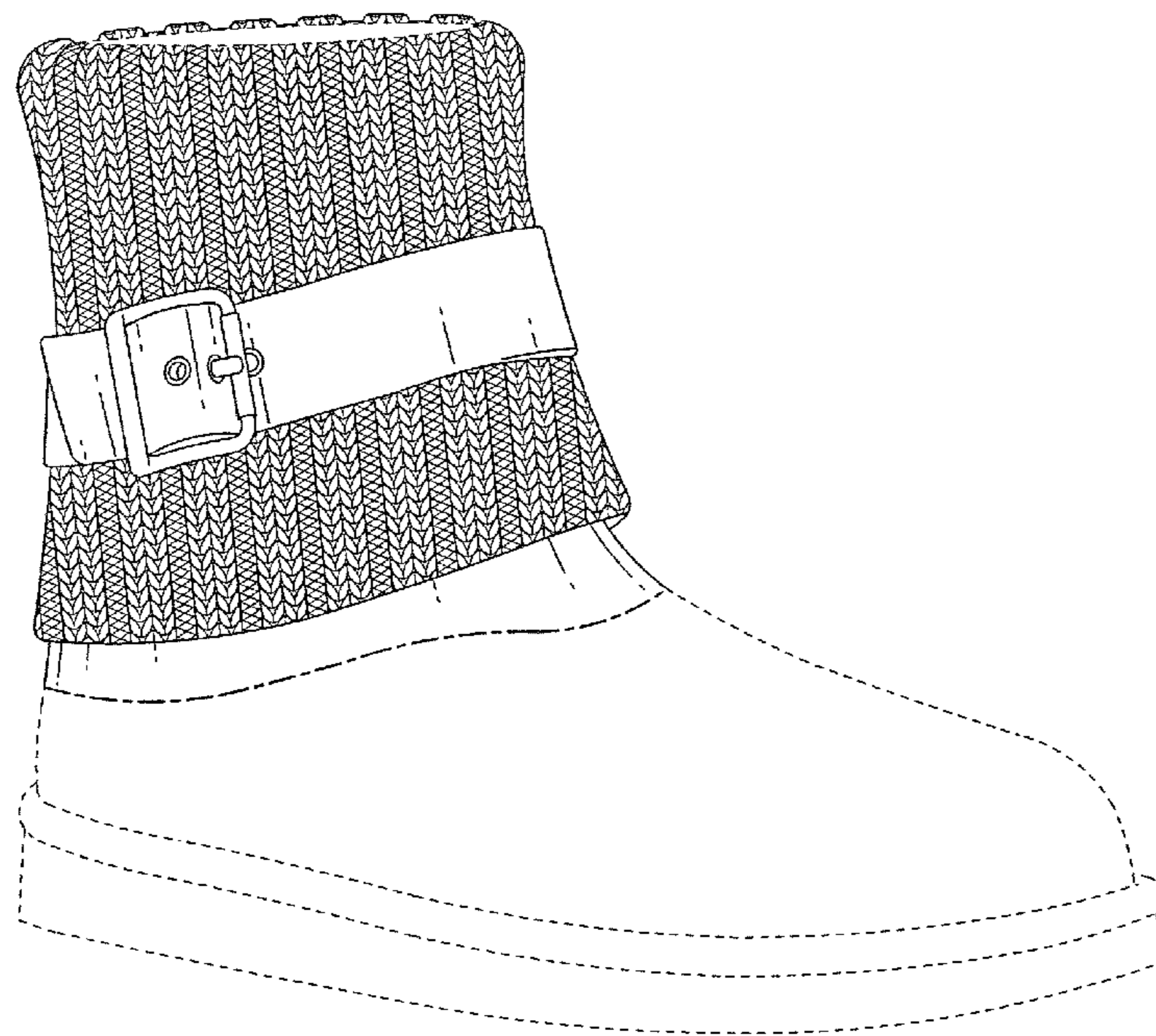
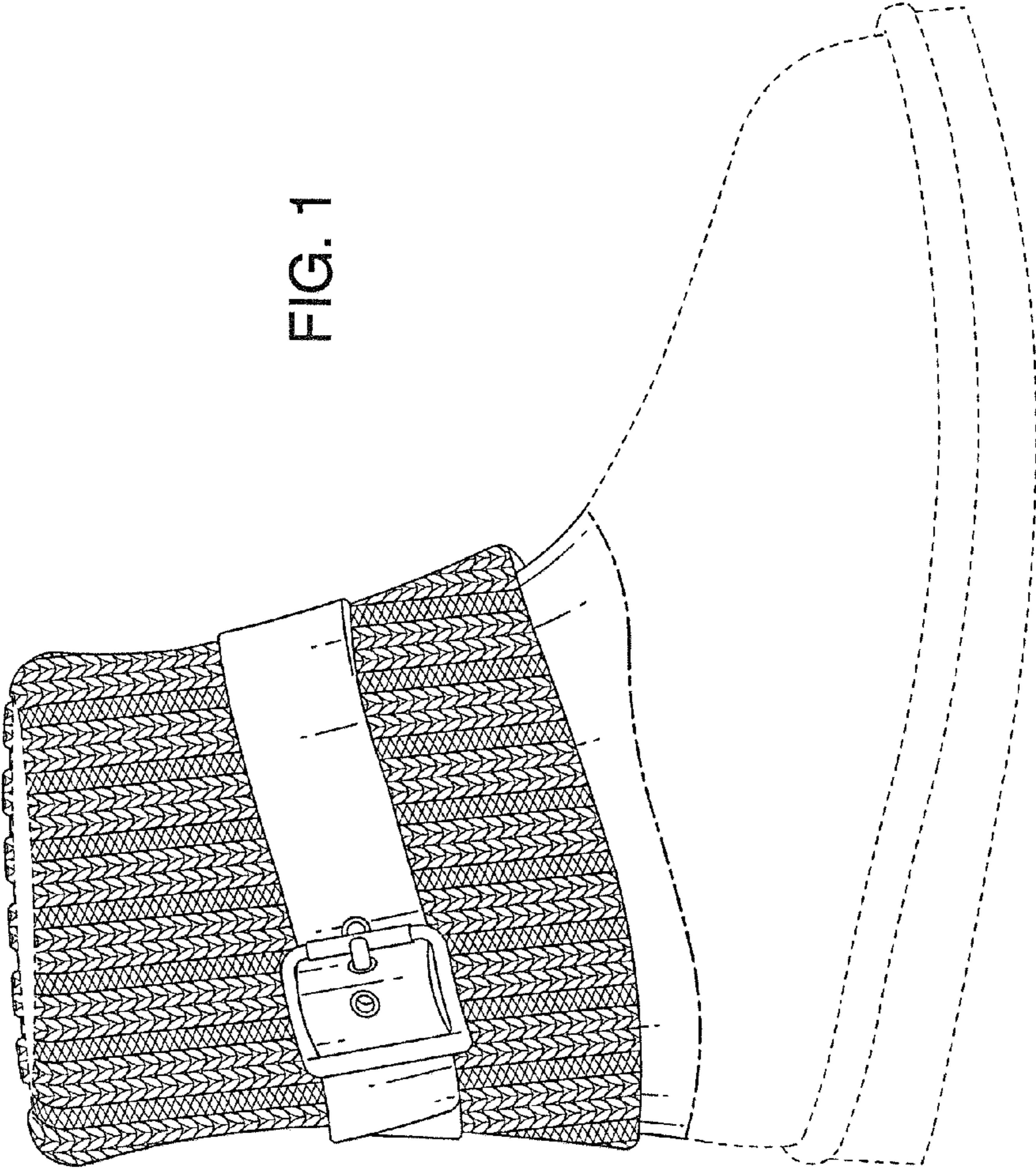


FIG. 1



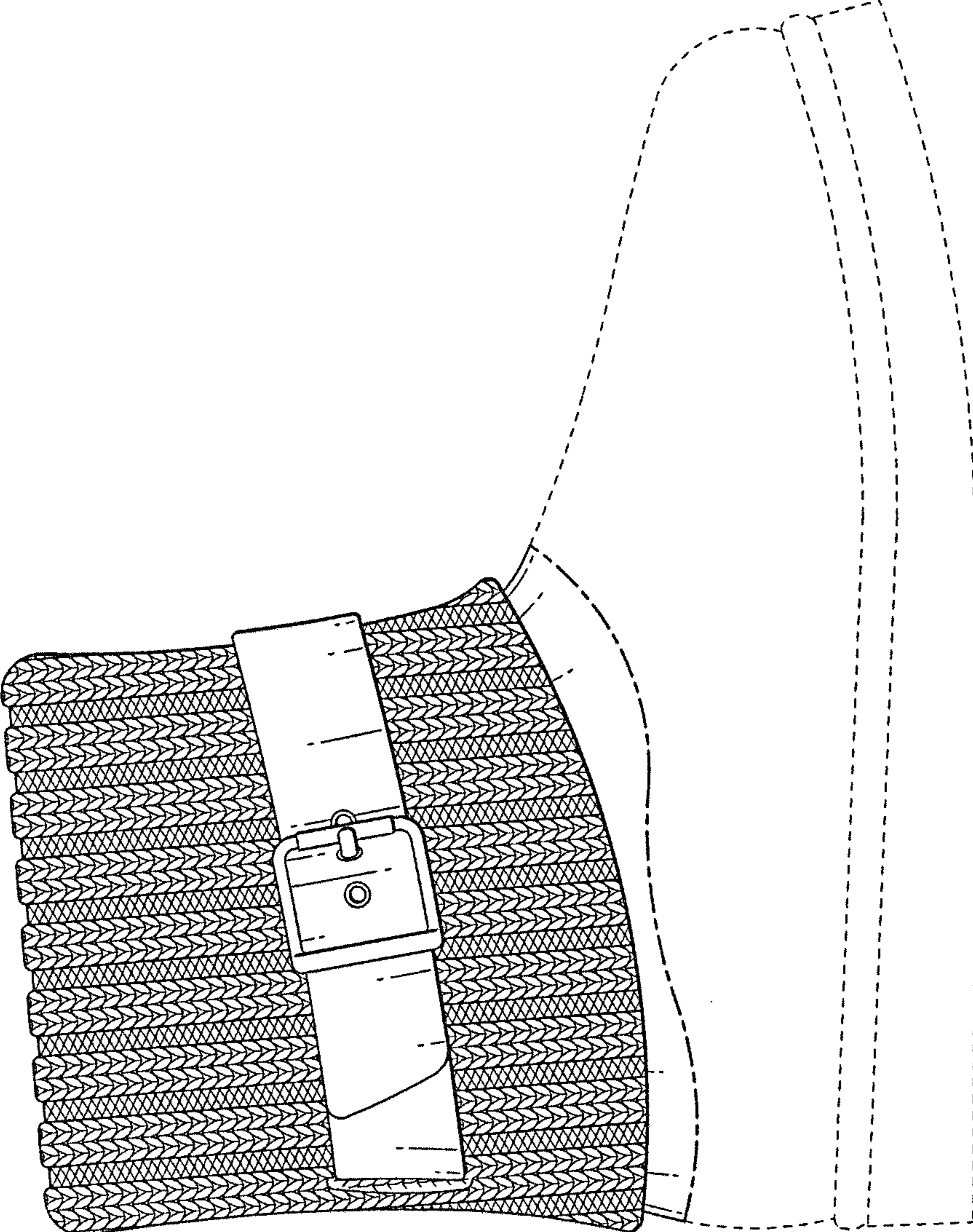


FIG. 2

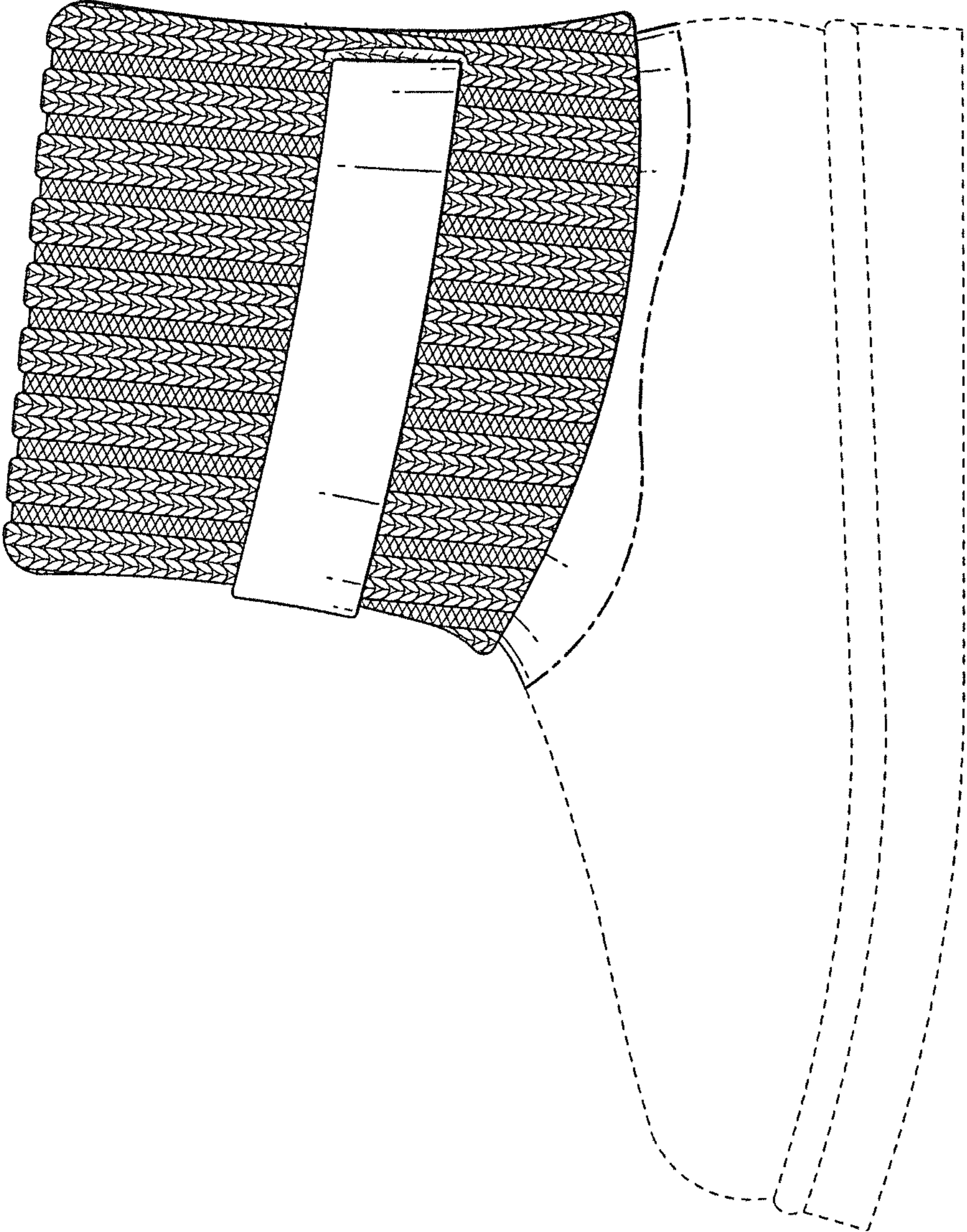


FIG. 3

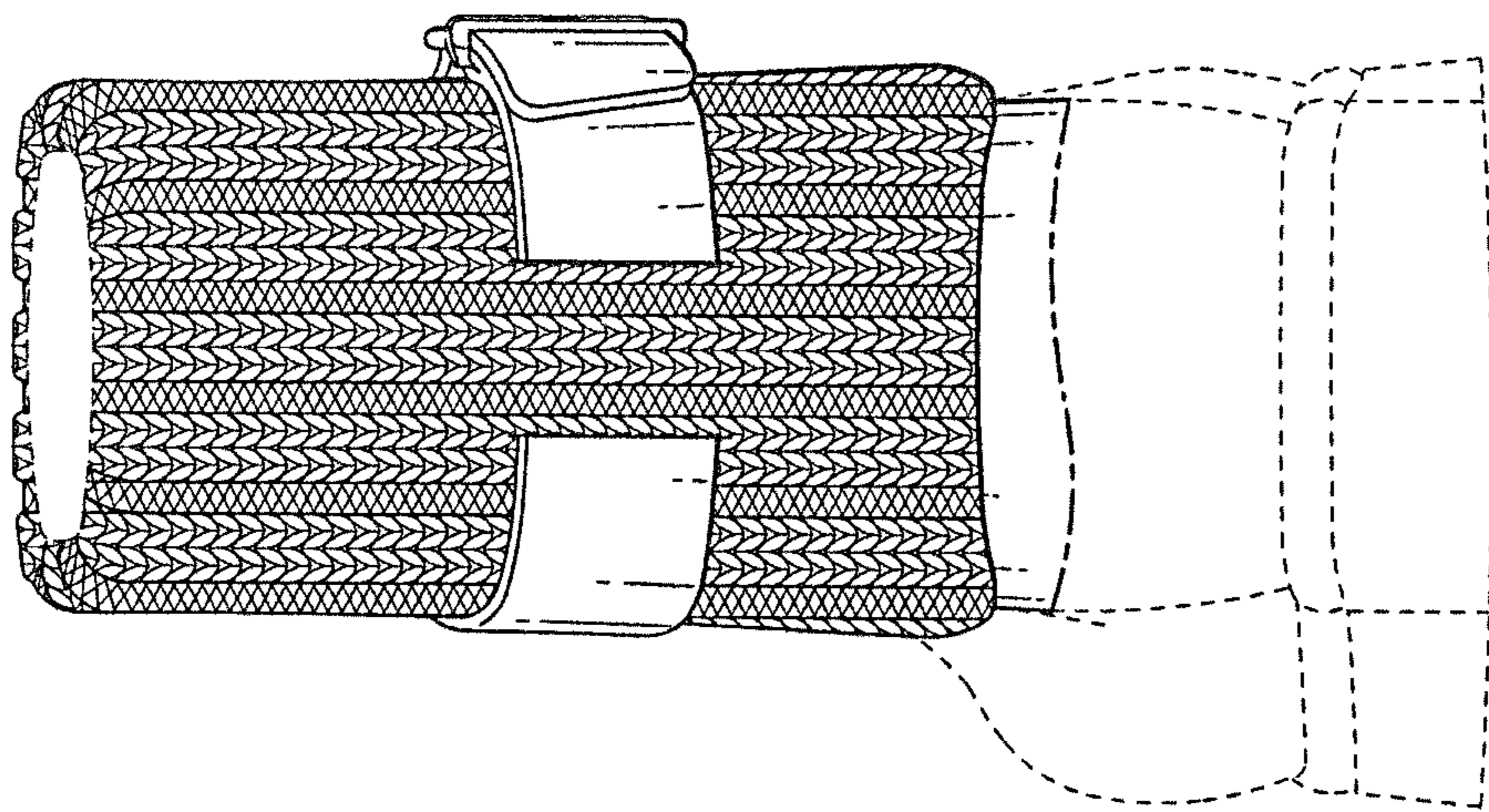


FIG. 5

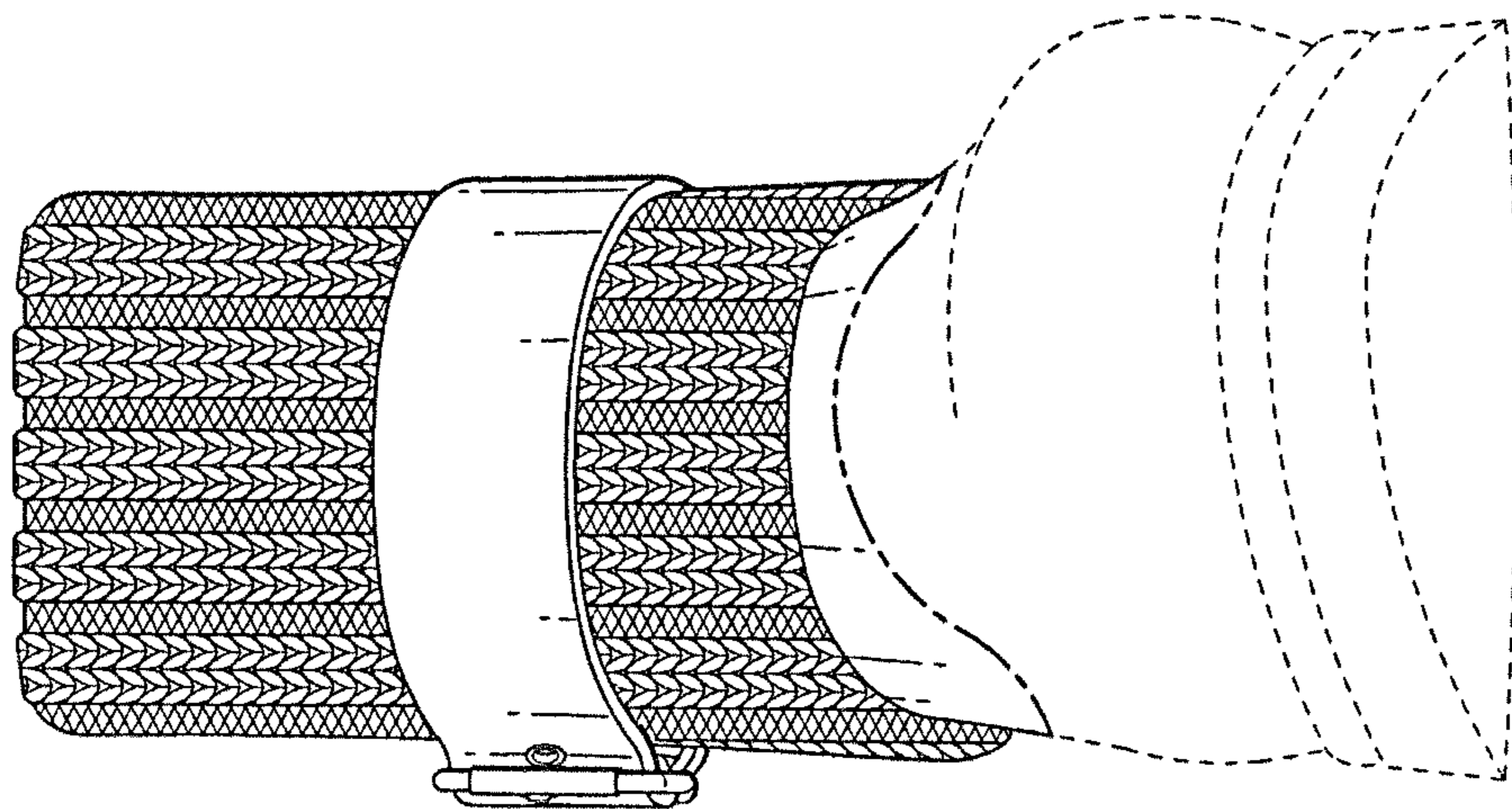


FIG. 4

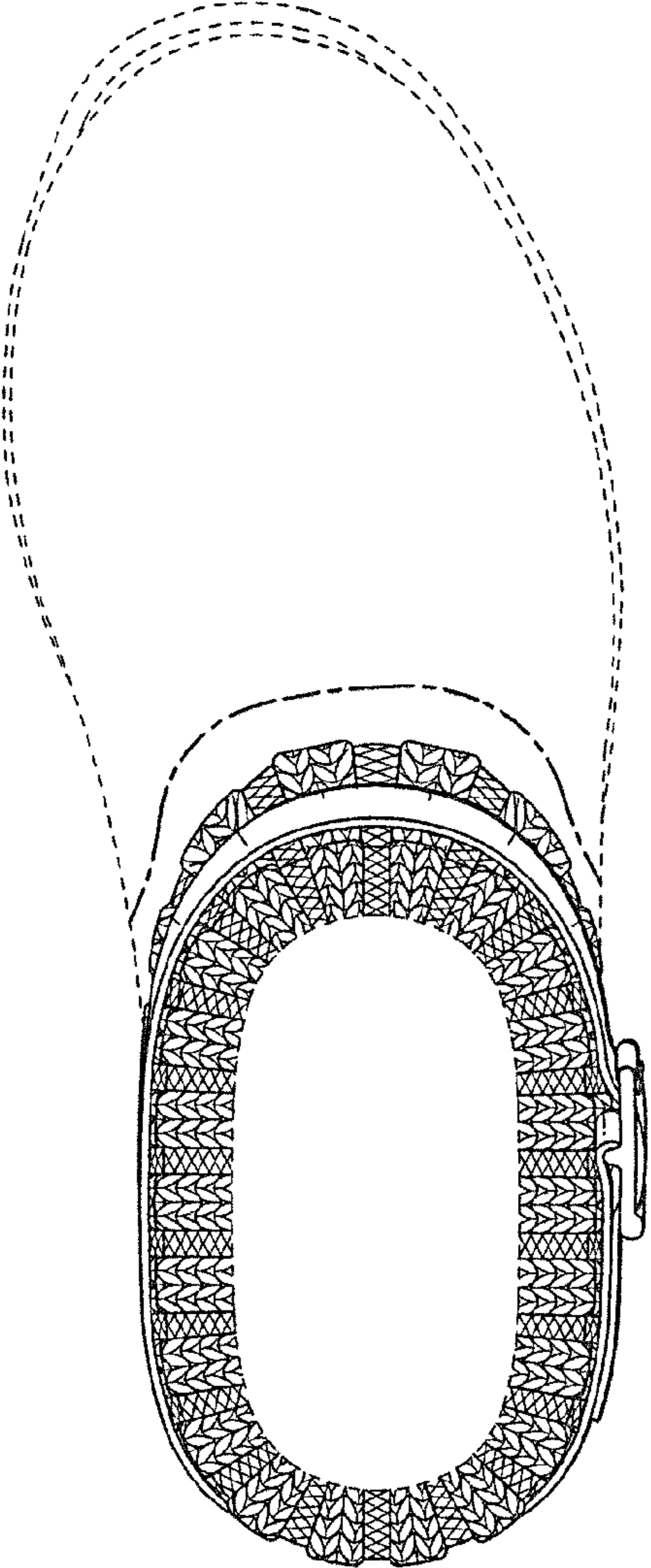


FIG. 6

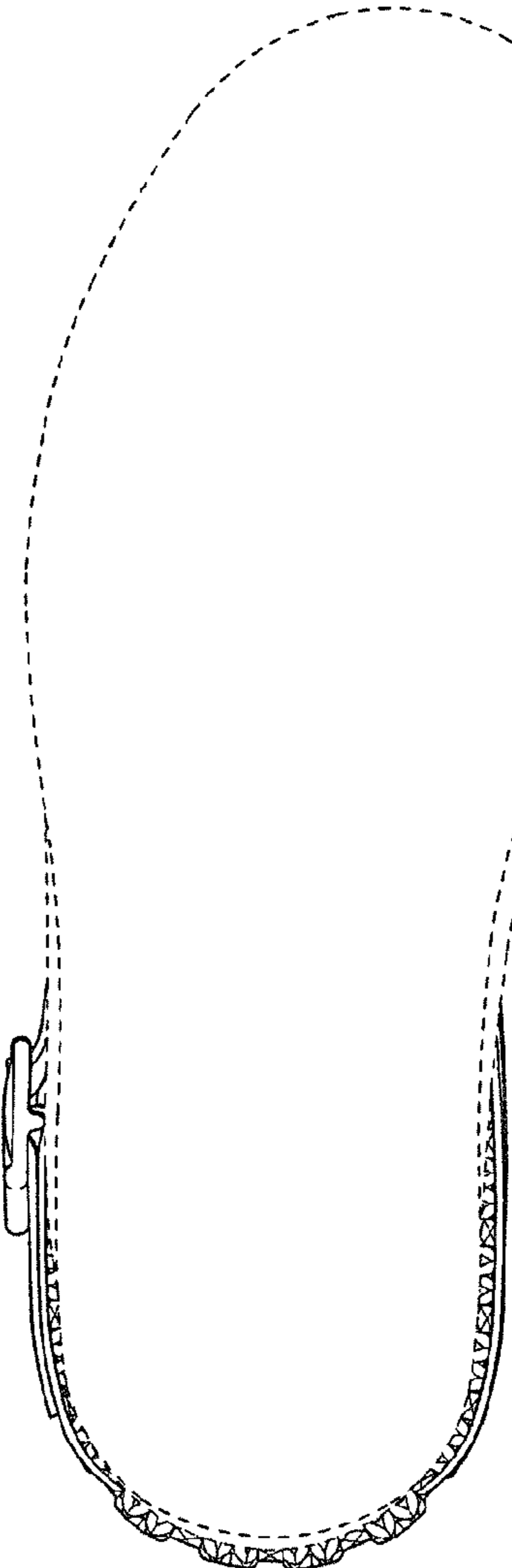


FIG. 7