



US00D707426S

(12) **United States Design Patent**  
**Lu**

(10) **Patent No.:** **US D707,426 S**  
(45) **Date of Patent:** **\*\* Jun. 24, 2014**

(54) **SHOE SOLE COVERING DEVICE**  
(71) Applicant: **Haibin Lu**, Zhejiang (CN)  
(72) Inventor: **Haibin Lu**, Zhejiang (CN)  
(73) Assignee: **Qiuping Wang**, Duluth, GA (US)

D249,908 S *	10/1978	Meinhart	.....	D2/914
D310,289 S *	9/1990	Farina	.....	D2/926
D321,086 S *	10/1991	Klingseis et al.	.....	D2/914
D369,457 S *	5/1996	Weston	.....	D2/914
5,548,910 A *	8/1996	Klingseis	.....	36/135
D386,890 S *	12/1997	Johnson	.....	D2/914
D479,034 S *	9/2003	Tzenos	.....	D2/926

(\*\*) Term: **14 Years**

\* cited by examiner

(21) Appl. No.: **29/471,231**

*Primary Examiner* — Susan Bennett Hattan

(22) Filed: **Oct. 29, 2013**

*Assistant Examiner* — Rashida C McCoy

(51) **LOC (10) Cl.** ..... **02-04**

(74) *Attorney, Agent, or Firm* — Sanford Jay Asman

(52) **U.S. Cl.**  
USPC ..... **D2/909**

(57) **CLAIM**

The ornamental design for a shoe sole covering device, as shown and described.

(58) **Field of Classification Search**  
USPC ..... D2/896, 901, 902, 906, 909, 910, 913,  
D2/914, 915, 948, 954, 962, 972; 36/7.1 R,  
36/113, 114, 126-130, 132, 2 R, 1.5, 58.5,  
36/69, 77 R, 7.3, 135  
See application file for complete search history.

**DESCRIPTION**

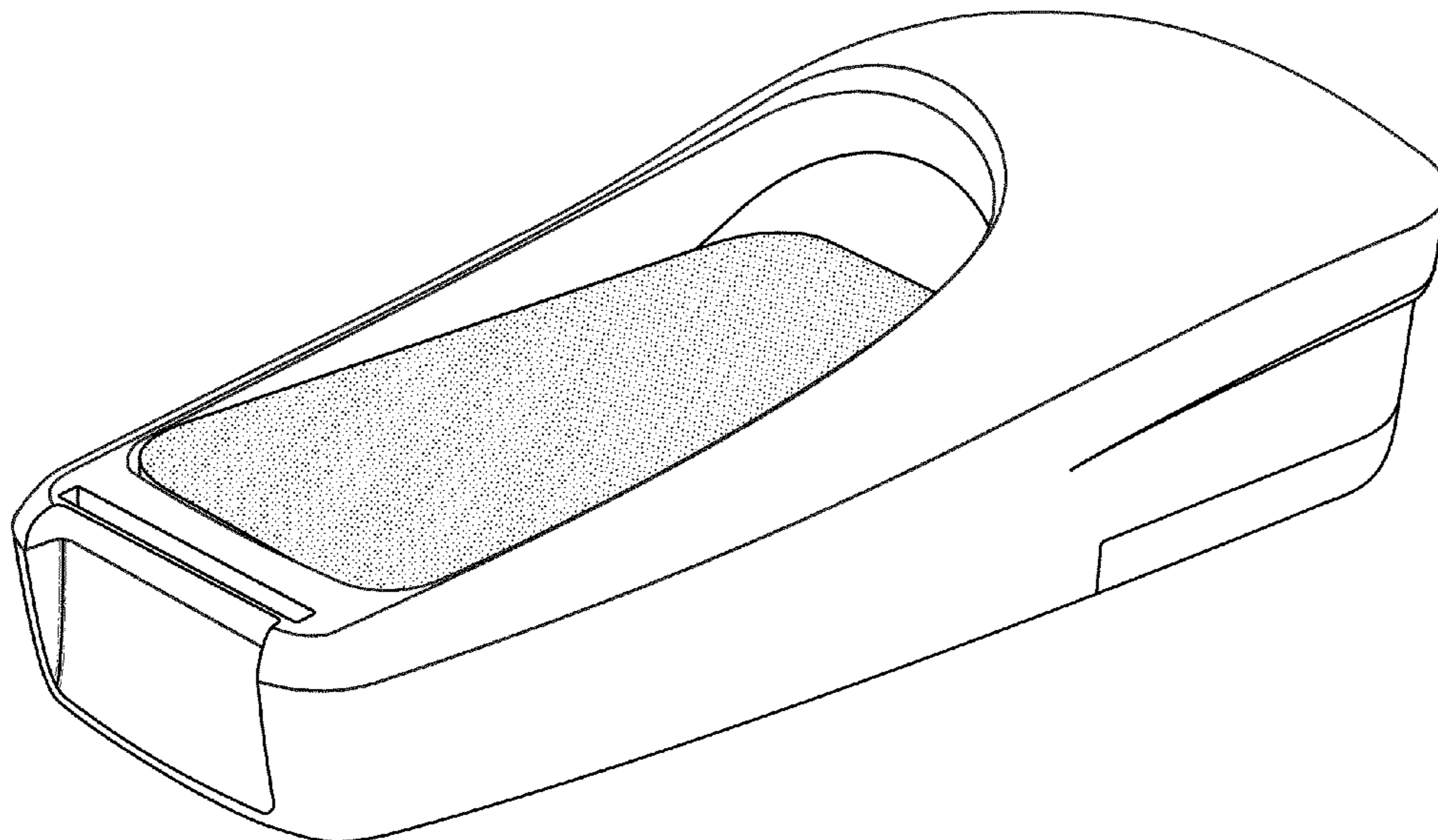
FIG. 1 is a perspective view of a shoe sole covering device showing my new design;  
FIG. 2 is a front view thereof;  
FIG. 3 is a rear view thereof;  
FIG. 4 is a side elevational view thereof, the opposite side of which is a mirror image; and,  
FIG. 5 is a top plan view thereof.

(56) **References Cited**

**U.S. PATENT DOCUMENTS**

D236,042 S *	7/1975	Martin	.....	D2/914
D247,073 S *	1/1978	Kane et al.	.....	D2/926

**1 Claim, 2 Drawing Sheets**



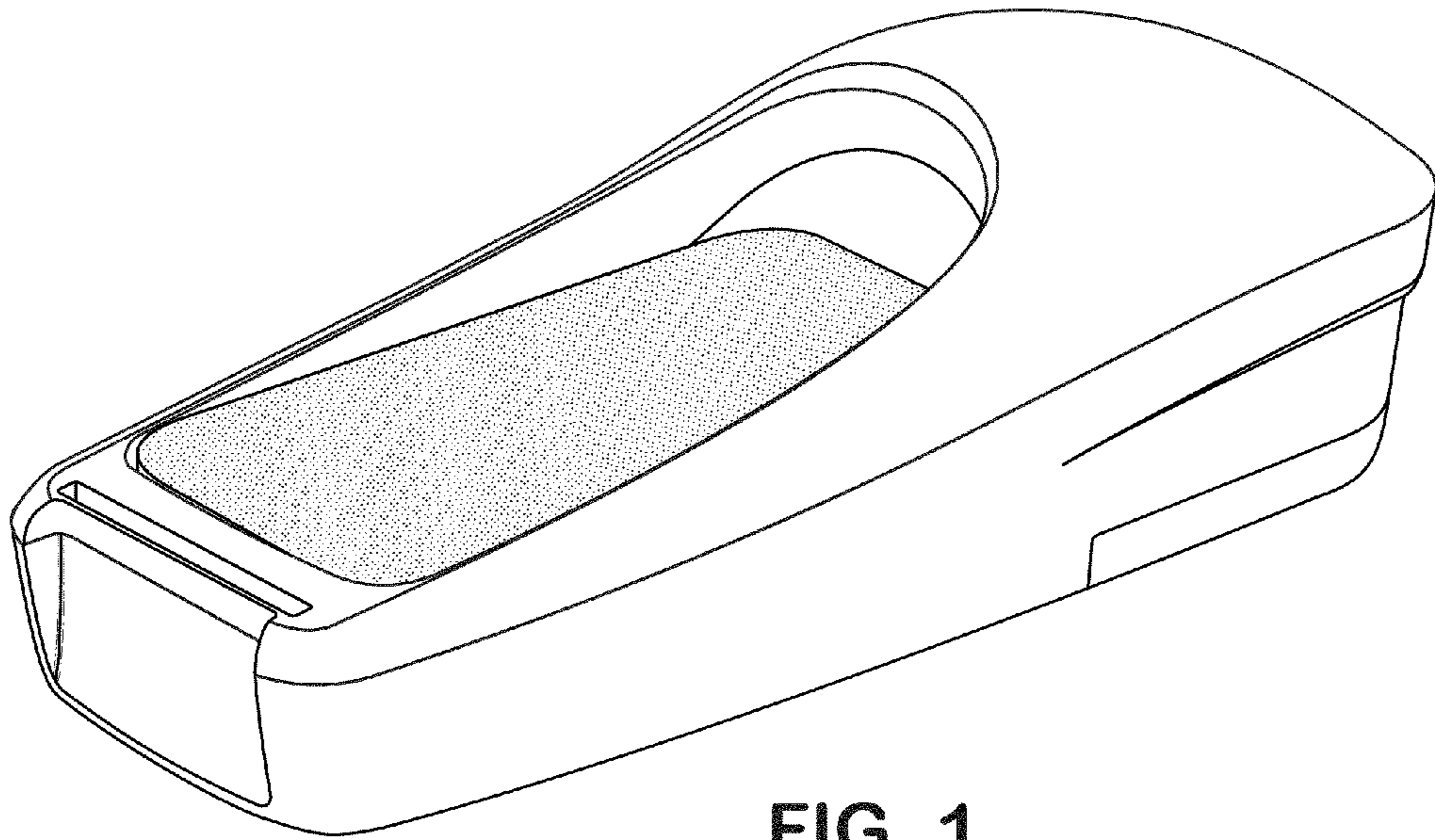


FIG. 1

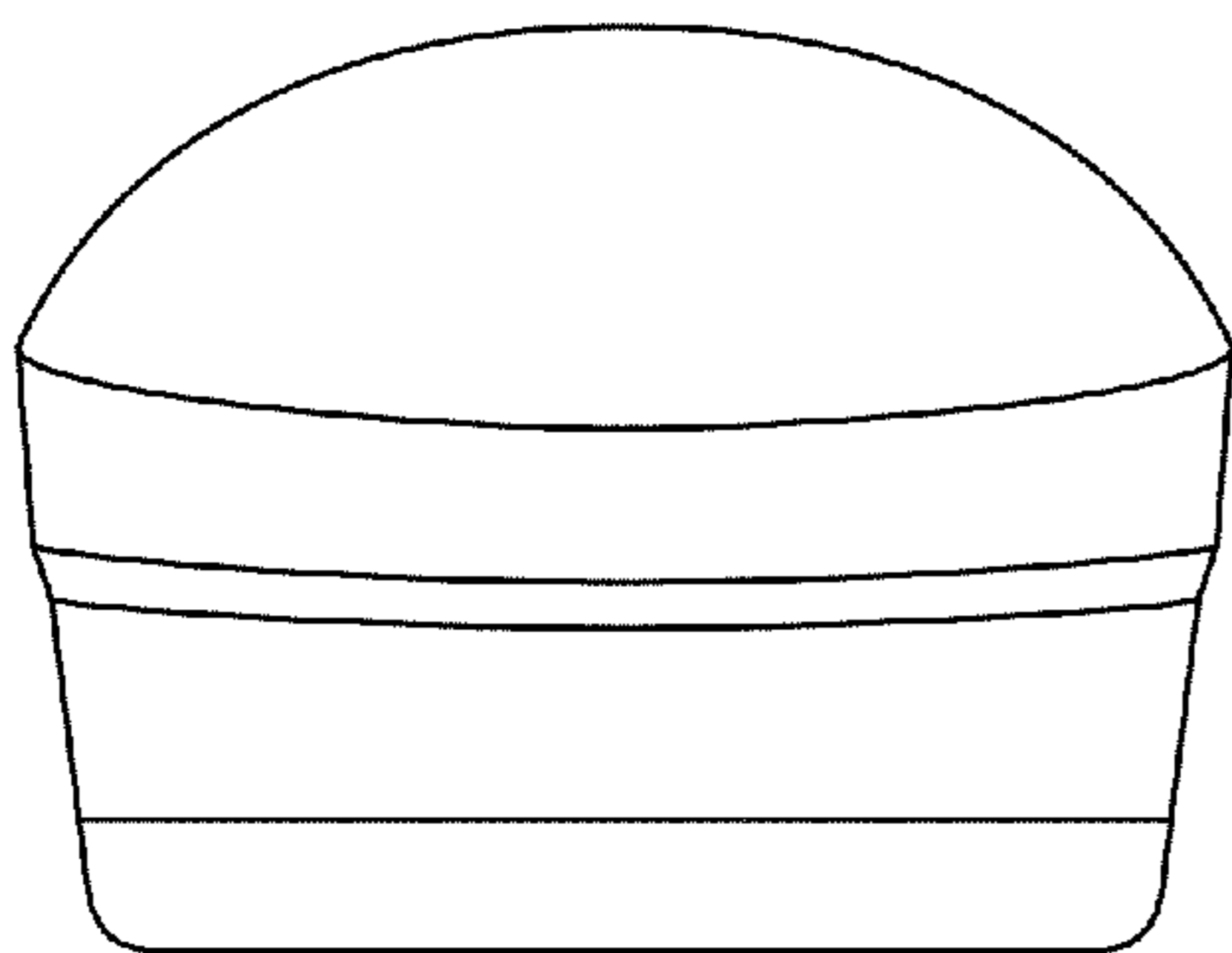


FIG. 2

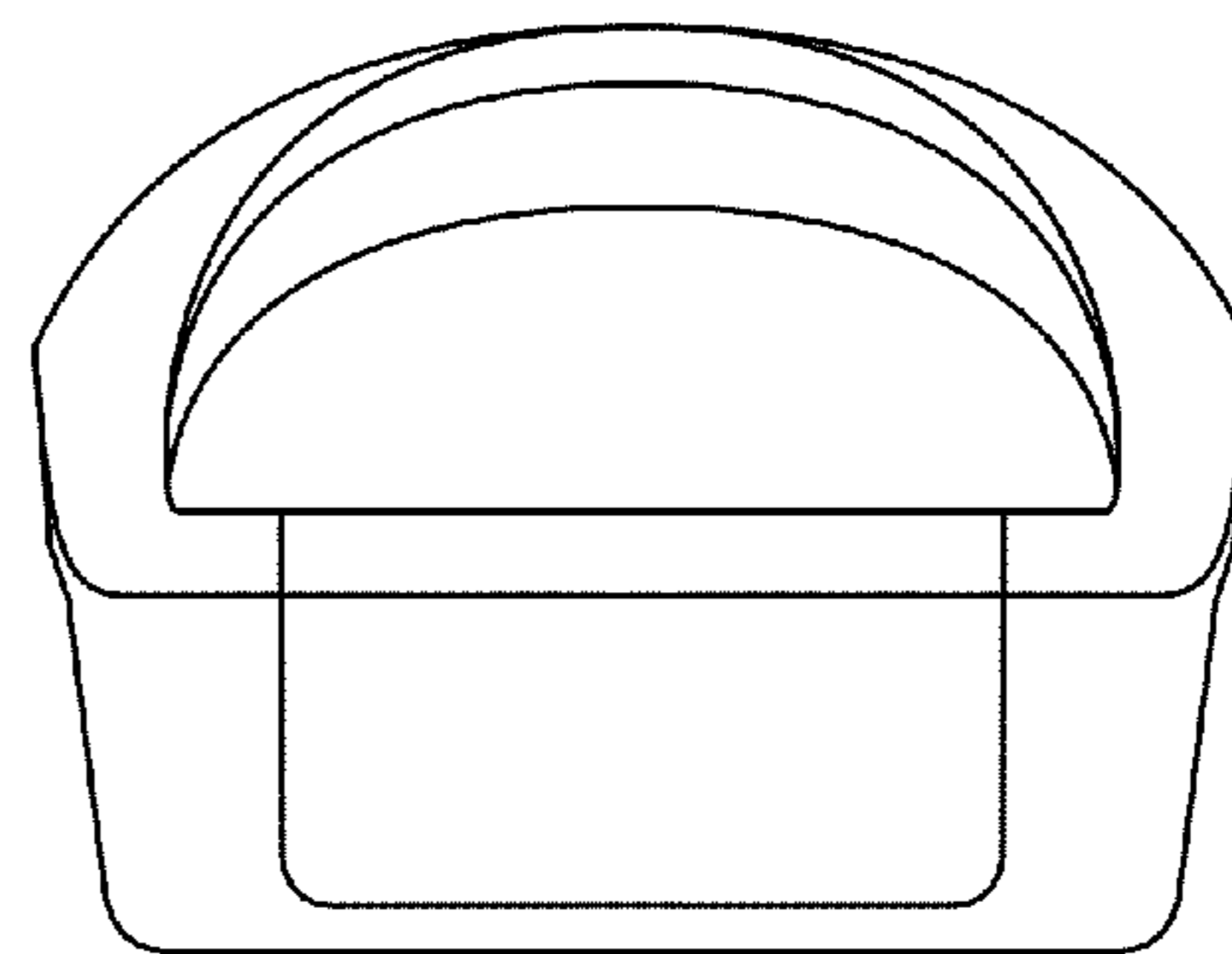


FIG. 3

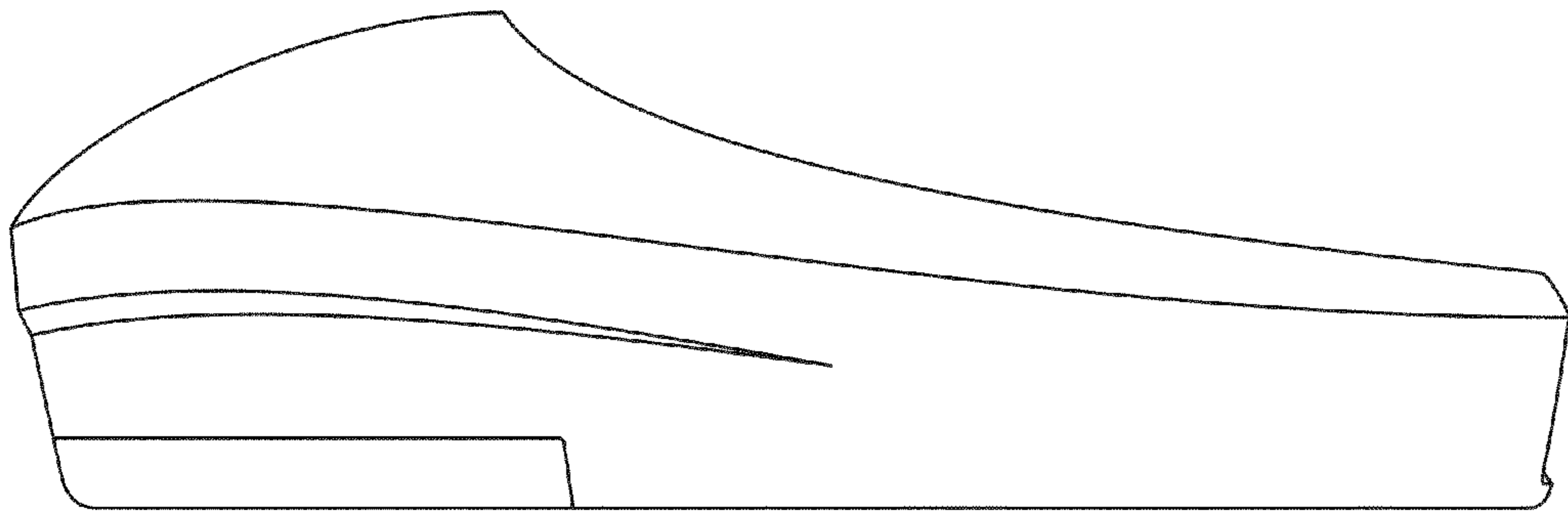


FIG. 4

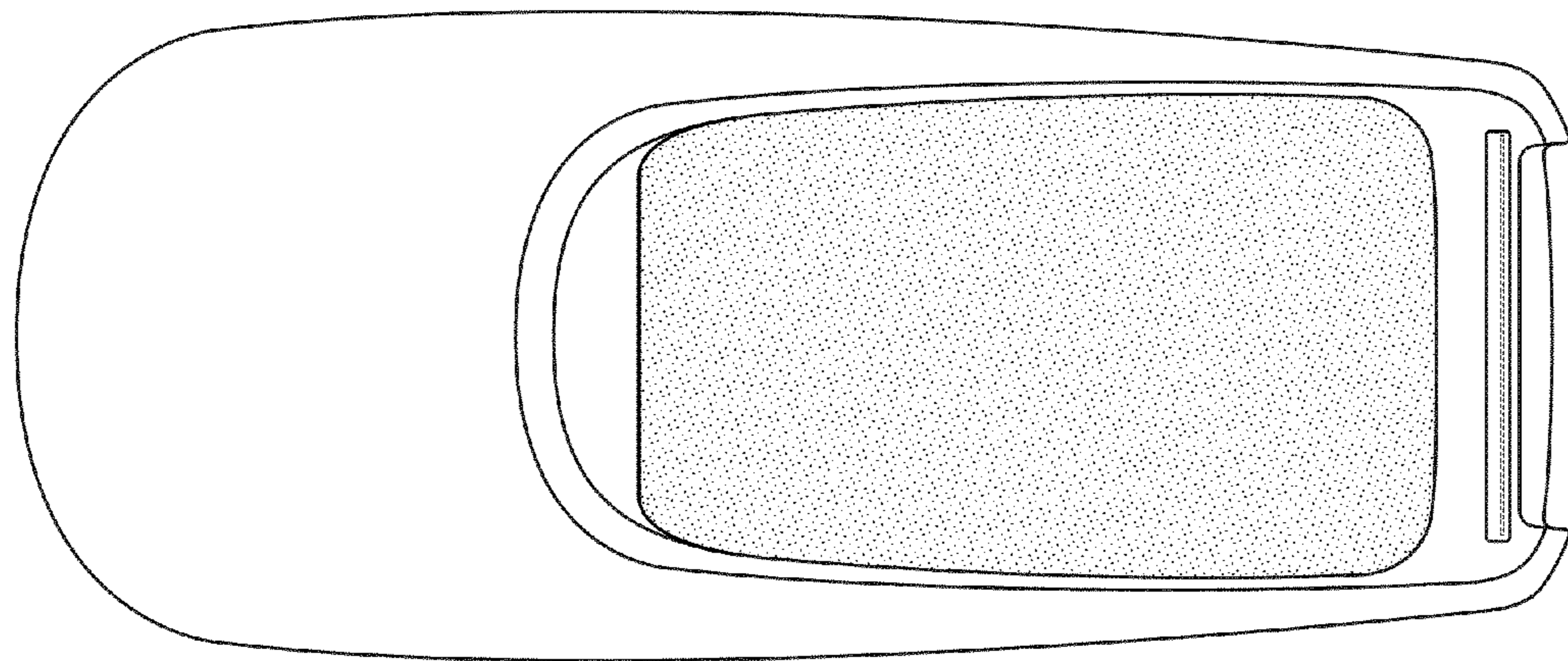


FIG. 5