



US00D707415S

(12) **United States Design Patent**
Carlson et al.

(10) **Patent No.:** **US D707,415 S**
(45) **Date of Patent:** **** Jun. 17, 2014**

(54) **CART**

(71) Applicant: **Red Devil Equipment Co.**, Plymouth, MN (US)

(72) Inventors: **Steve Carlson**, Shorewood, MN (US);
Thomas Midas, Oak Park Heights, MN (US); **Jude Burgoyne**, Hopkins, MN (US)

(73) Assignee: **Red Devil Equipment, Co.**, Plymouth, MN (US)

(**) Term: **14 Years**

(21) Appl. No.: **29/459,270**

(22) Filed: **Jun. 27, 2013**

(51) **LOC (10) Cl.** **12-02**

(52) **U.S. Cl.**
USPC **D34/23**

(58) **Field of Classification Search**
USPC D34/12-27; 280/651, 47.2, 79.2, 47.18,
280/47.27, 79.1

See application file for complete search history.

(56) **References Cited**

U.S. PATENT DOCUMENTS

3,258,275	A *	6/1966	Schaefer et al.	280/47.2
3,666,285	A *	5/1972	Fertig	280/47.12
4,009,891	A *	3/1977	Jensen	280/651
5,160,153	A *	11/1992	Zan	280/43.1
D344,833	S *	3/1994	Apter et al.	D34/26
D412,044	S *	7/1999	Deal	D34/12
D423,174	S *	4/2000	Burr	D34/24
D454,675	S *	3/2002	Levy et al.	D34/24
D456,973	S *	5/2002	Kimpel	D34/24
6,454,281	B1	9/2002	Pearson	

D466,266	S *	11/2002	Wu	D34/24
D485,038	S *	1/2004	Zimmer	D34/24
7,083,174	B2 *	8/2006	Kane	280/47.2
D531,376	S *	10/2006	Tetradis	D34/24
8,100,430	B2 *	1/2012	Meyers et al.	280/651
8,276,923	B2	10/2012	Plesh et al.	
8,413,999	B2 *	4/2013	Nassaux et al.	280/47.2
2002/0067983	A1 *	6/2002	McGill et al.	414/634
2003/0062700	A1 *	4/2003	Stallbaumer	280/47.27
2011/0285113	A1 *	11/2011	Su	280/654
2012/0292868	A1	11/2012	Goellner	
2013/0020776	A1	1/2013	Taranto	
2013/0206071	A1	5/2013	Tomsha	

OTHER PUBLICATIONS

Lift'n Buddy brochure, printed from www.liftnbuddy.com on Jun. 24, 2013.

* cited by examiner

Primary Examiner — Cynthia Ramirez

(74) *Attorney, Agent, or Firm* — Kagan Binder, PLLC

(57) **CLAIM**

The ornamental design for a cart, as shown and described.

DESCRIPTION

FIG. 1 is a perspective view of a cart showing our new design.

FIG. 2 is a front elevation view of the cart of FIG. 1.

FIG. 3 is a rear elevation view of the cart of FIG. 1.

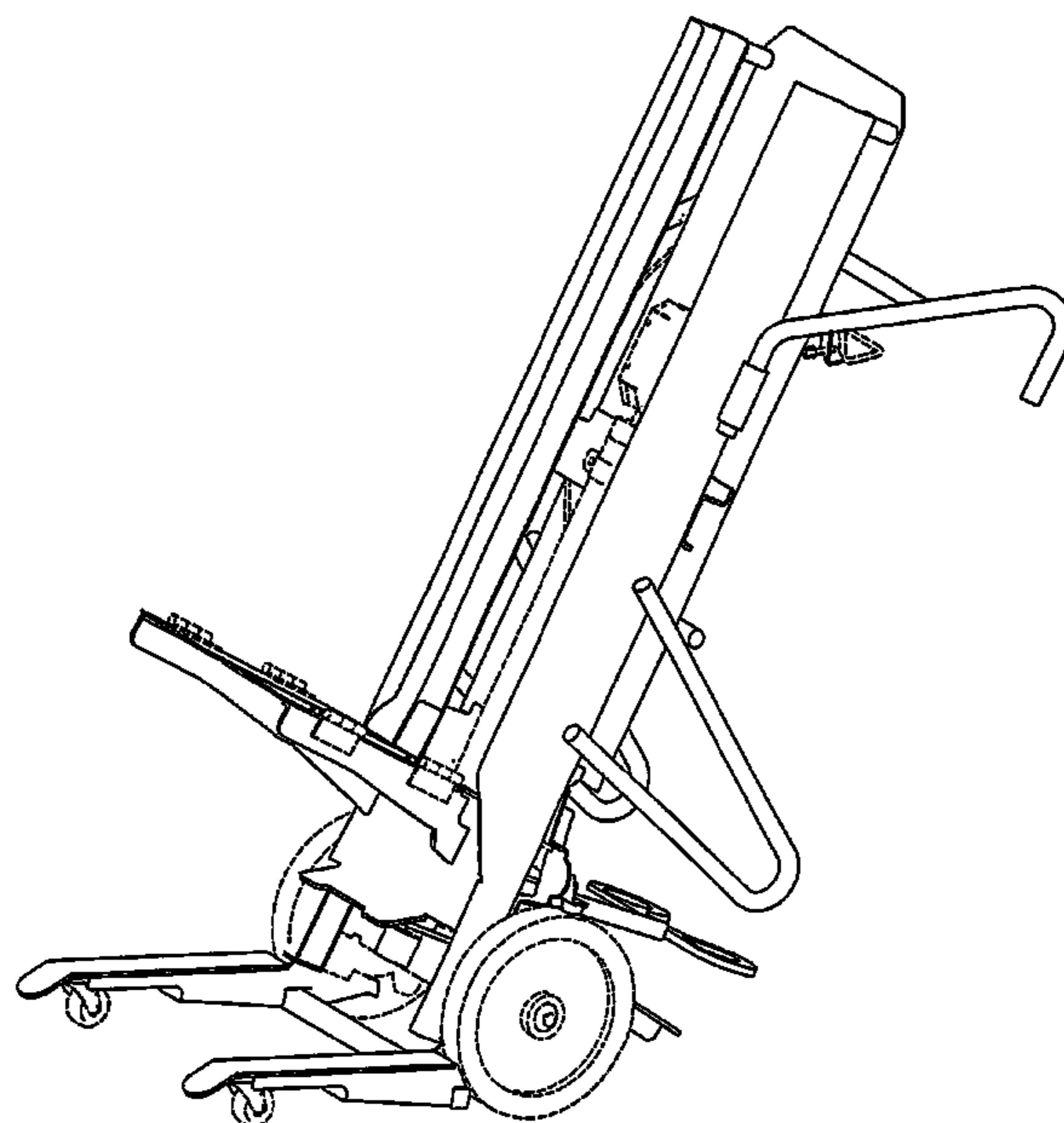
FIG. 4 is a left side elevation view of the cart of FIG. 1; the right side elevation view of the cart is a mirror image of the left side elevation view for all claimed features of the design.

FIG. 5 is a top plan view of the cart of FIG. 1; and,

FIG. 6 is a bottom plan view of the cart of FIG. 1.

The broken lines depicted in the foregoing figures form no part of the claimed design.

1 Claim, 6 Drawing Sheets



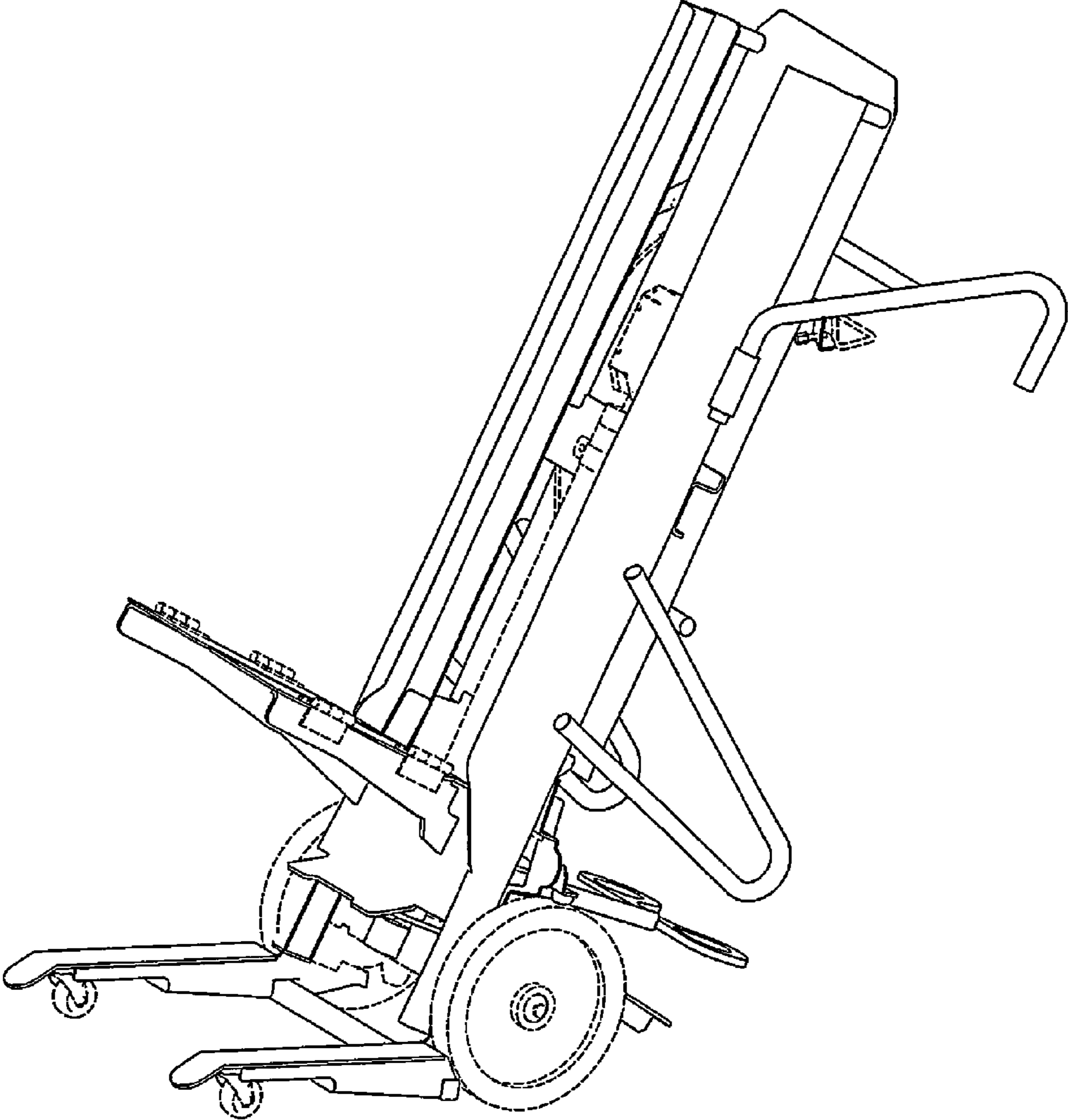


FIG. 1

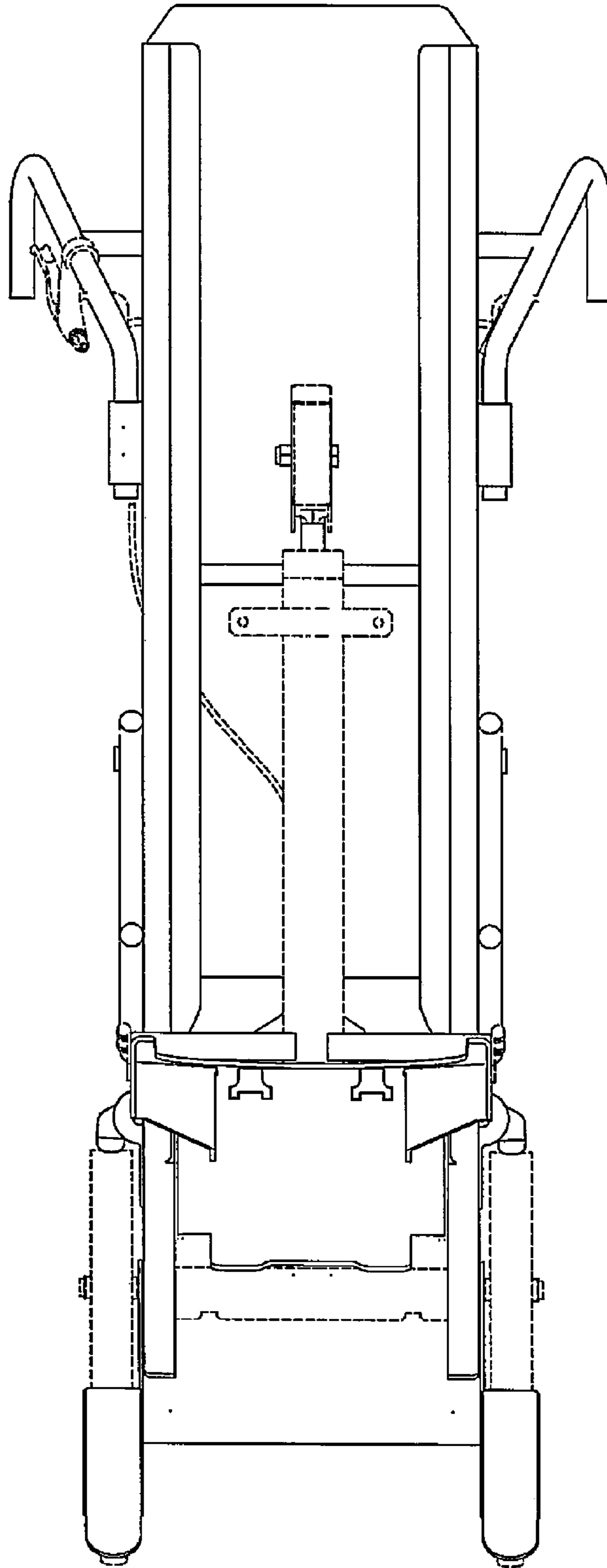


FIG. 2

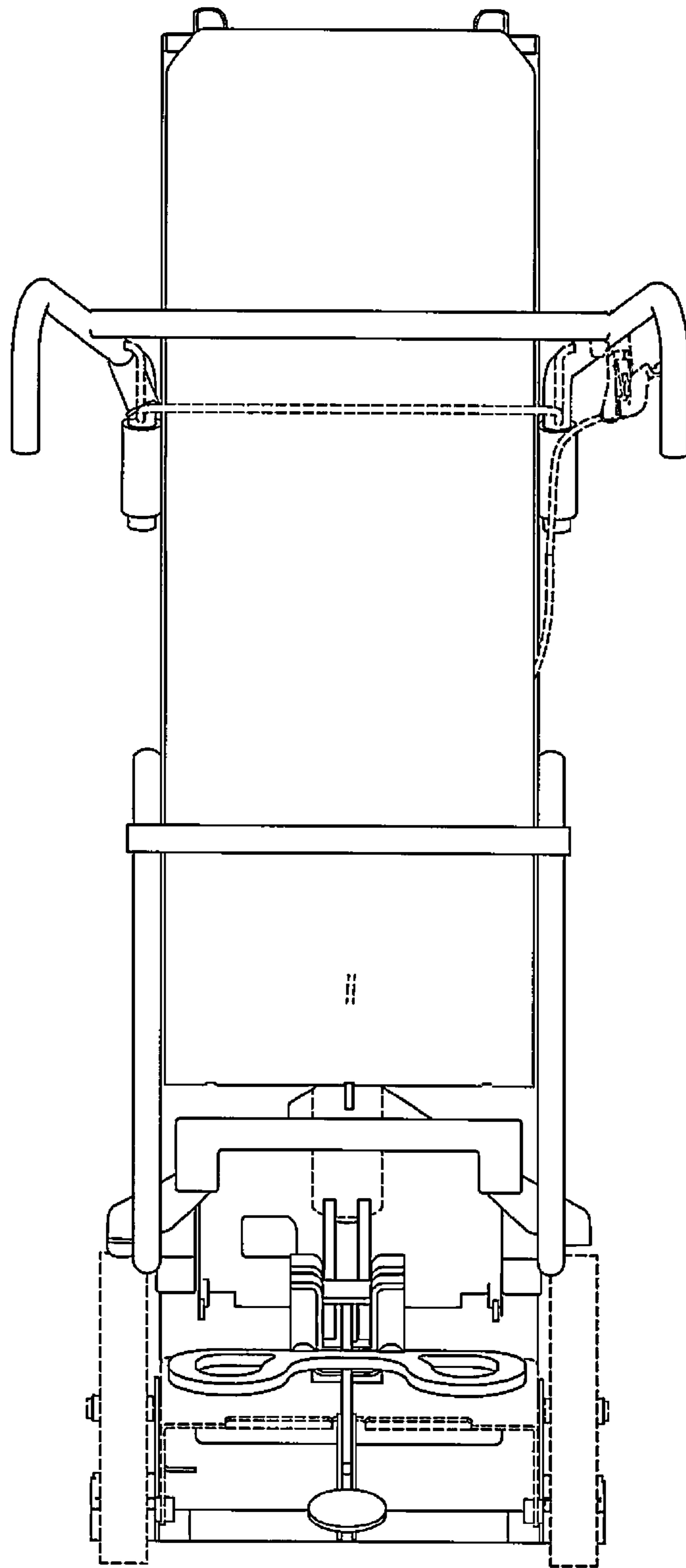


FIG. 3

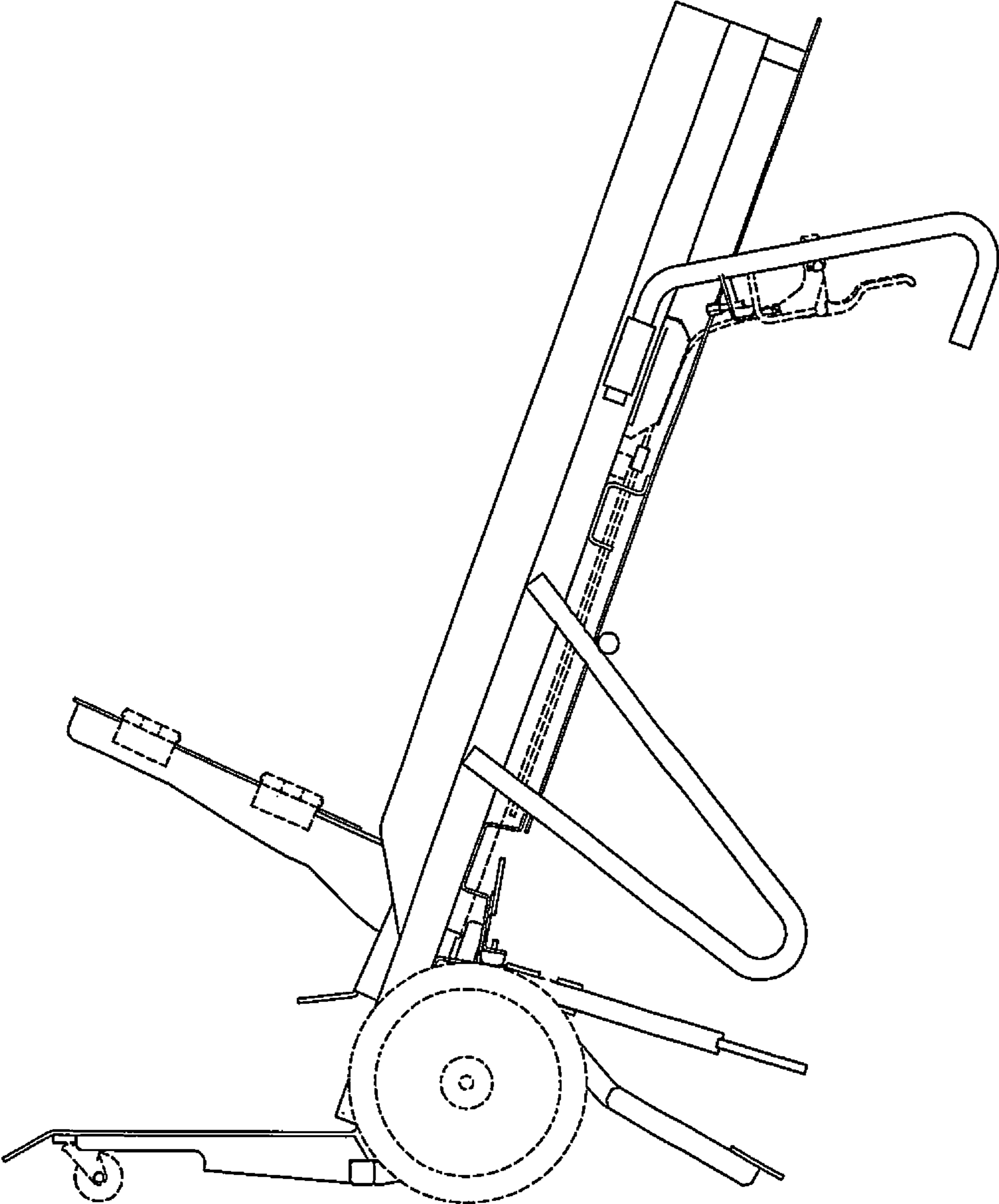


FIG. 4

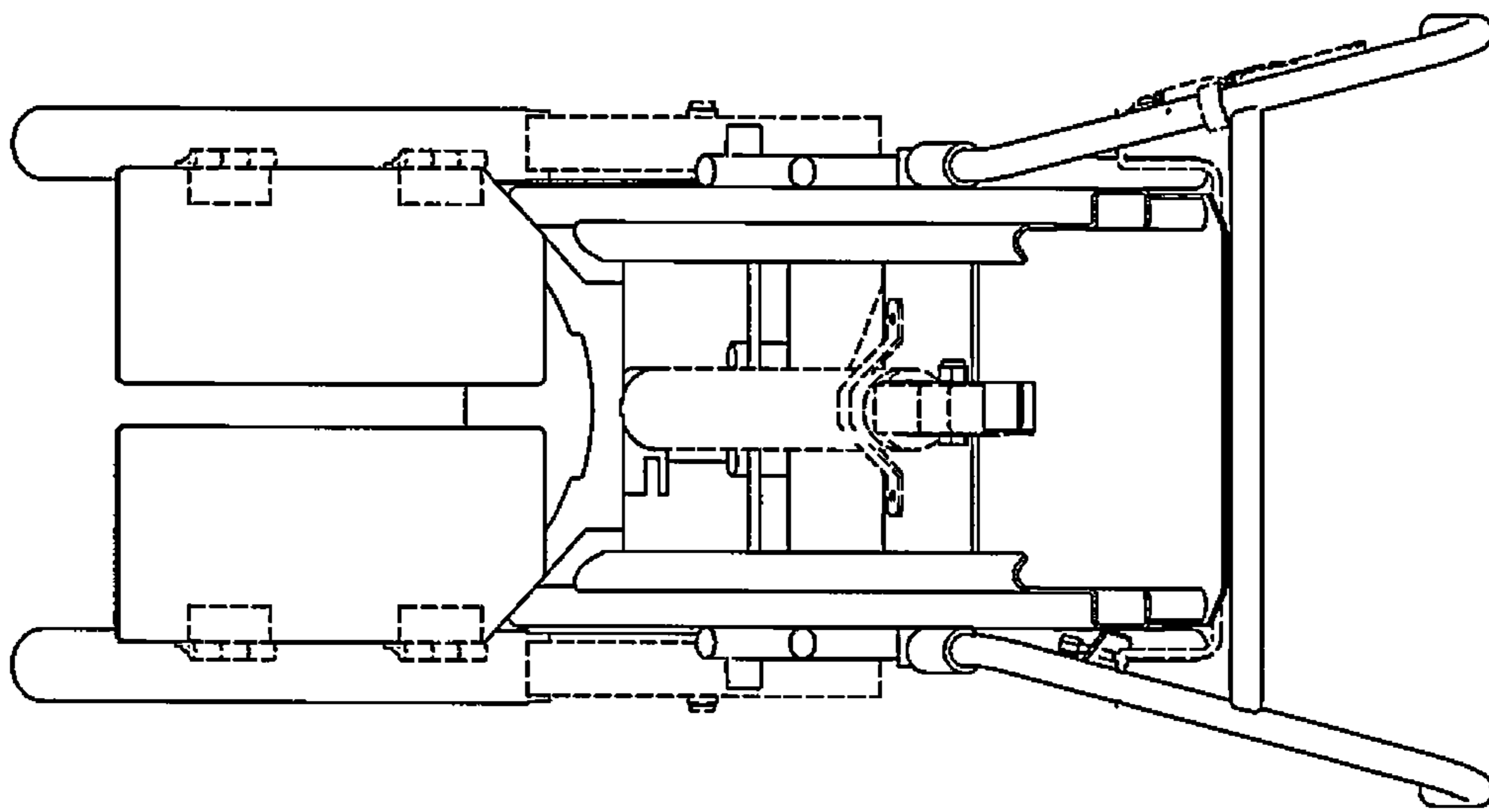


FIG. 5

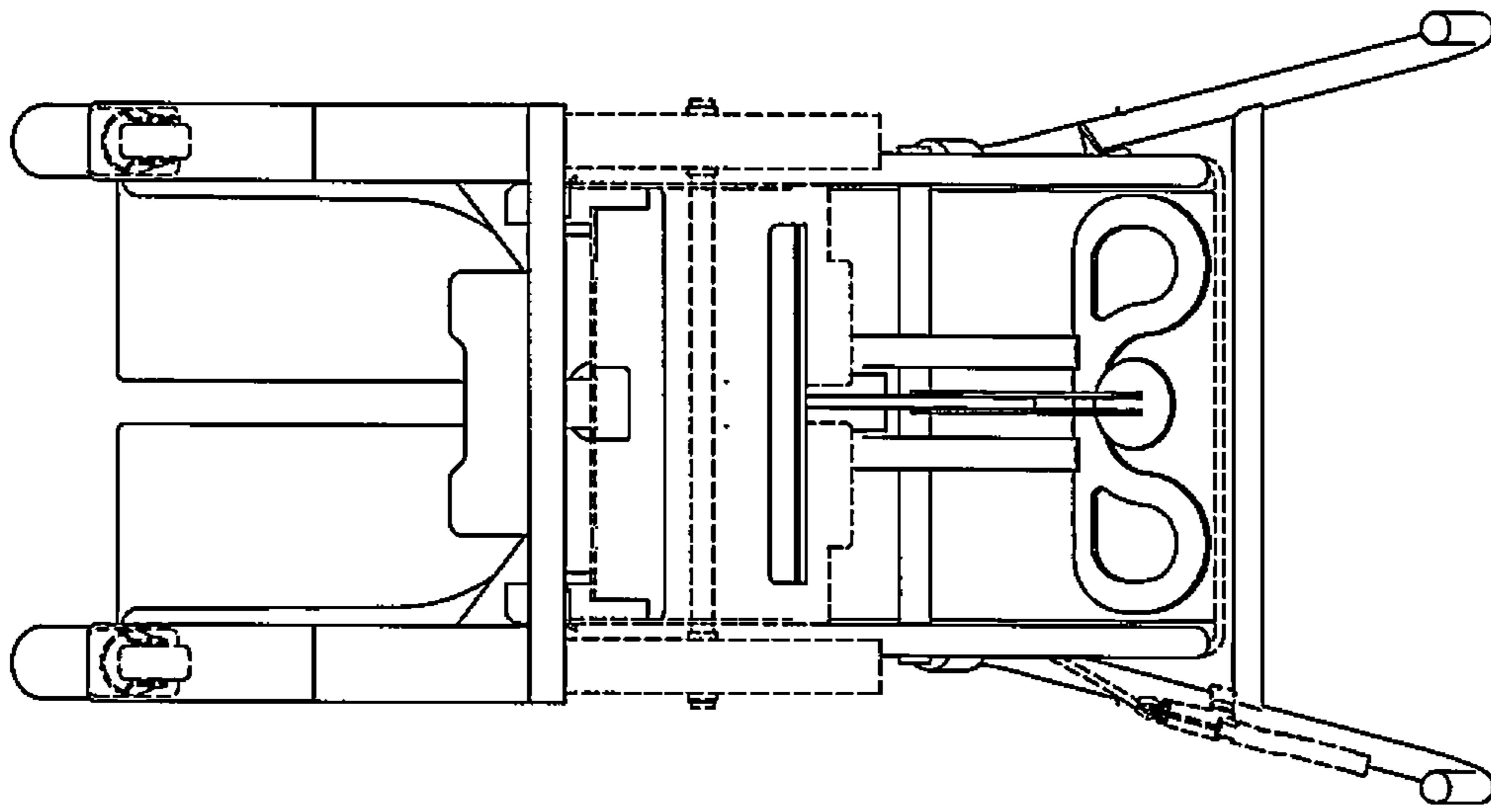


FIG. 6