



US00D707414S

(12) **United States Design Patent**
Choi

(10) **Patent No.:** **US D707,414 S**

(45) **Date of Patent:** **** Jun. 17, 2014**

(54) **CART SUPPORT HAVING ROTATING WHEELS**

(71) Applicant: **Warren Won Choi**, Los Angeles, CA (US)

(72) Inventor: **Warren Won Choi**, Los Angeles, CA (US)

(**) Term: **14 Years**

(21) Appl. No.: **29/454,695**

(22) Filed: **May 13, 2013**

(51) **LOC (10) Cl.** **12-02**

(52) **U.S. Cl.**
USPC **D34/12**

(58) **Field of Classification Search**

CPC B62B 2205/06; B62B 1/12; B62B 1/002;
B62B 3/027; B62B 5/0003; B62B 2202/404;
B62B 5/0083; B60B 33/0002
USPC D34/12-27; 280/651, 641, 79.11, 79.3,
280/42

See application file for complete search history.

(56) **References Cited**

U.S. PATENT DOCUMENTS

272,227 A * 2/1883 Foreman 248/129
D149,411 S * 4/1948 Harley D34/23

D180,016 S * 4/1957 Frick D34/23
D225,840 S * 1/1973 Ball D34/17
D302,892 S * 8/1989 Callahan D34/23
D386,868 S * 11/1997 Catlett D34/17
D422,392 S * 4/2000 Weinstein D34/12
D444,282 S * 6/2001 Lensing et al. D34/23
D445,229 S * 7/2001 Stravitz et al. D34/17

* cited by examiner

Primary Examiner — Cynthia Ramirez

(74) *Attorney, Agent, or Firm* — East West Law Group;
Heedong Chae

(57) **CLAIM**

The ornamental design for a cart support having rotating wheels, as shown and described.

DESCRIPTION

FIG. 1 is a perspective view of a cart support having rotating wheels showing my new design;
FIG. 2 is a front elevational view thereof;
FIG. 3 is a rear elevational view thereof;
FIG. 4 is a left side elevational view thereof;
FIG. 5 is a right side elevational view thereof;
FIG. 6 is a top plan view thereof; and,
FIG. 7 is a bottom plan view thereof.

The broken line showing of environment is for illustrative purposes only and forms no part of the claimed design.

1 Claim, 5 Drawing Sheets

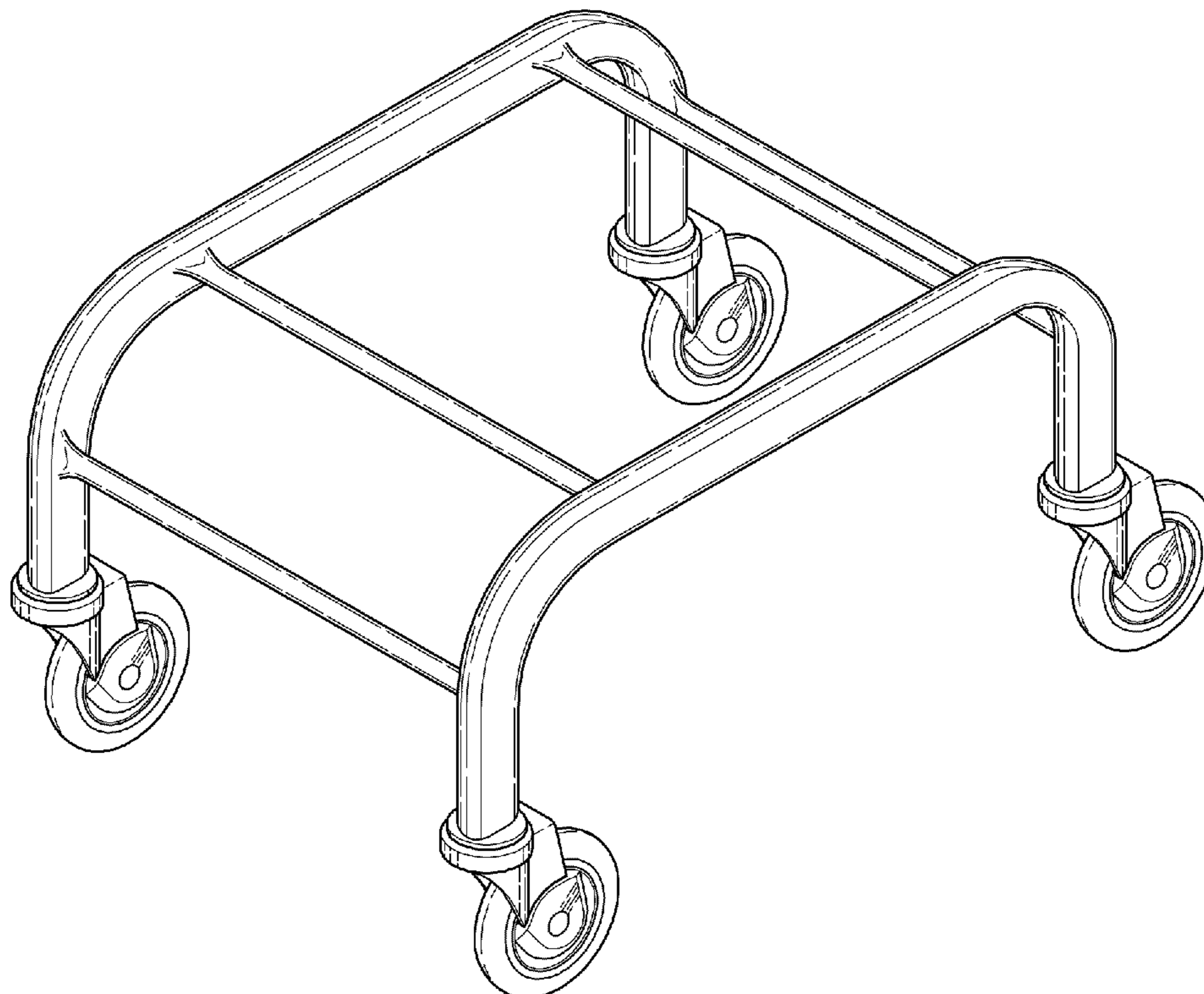


FIG. 1

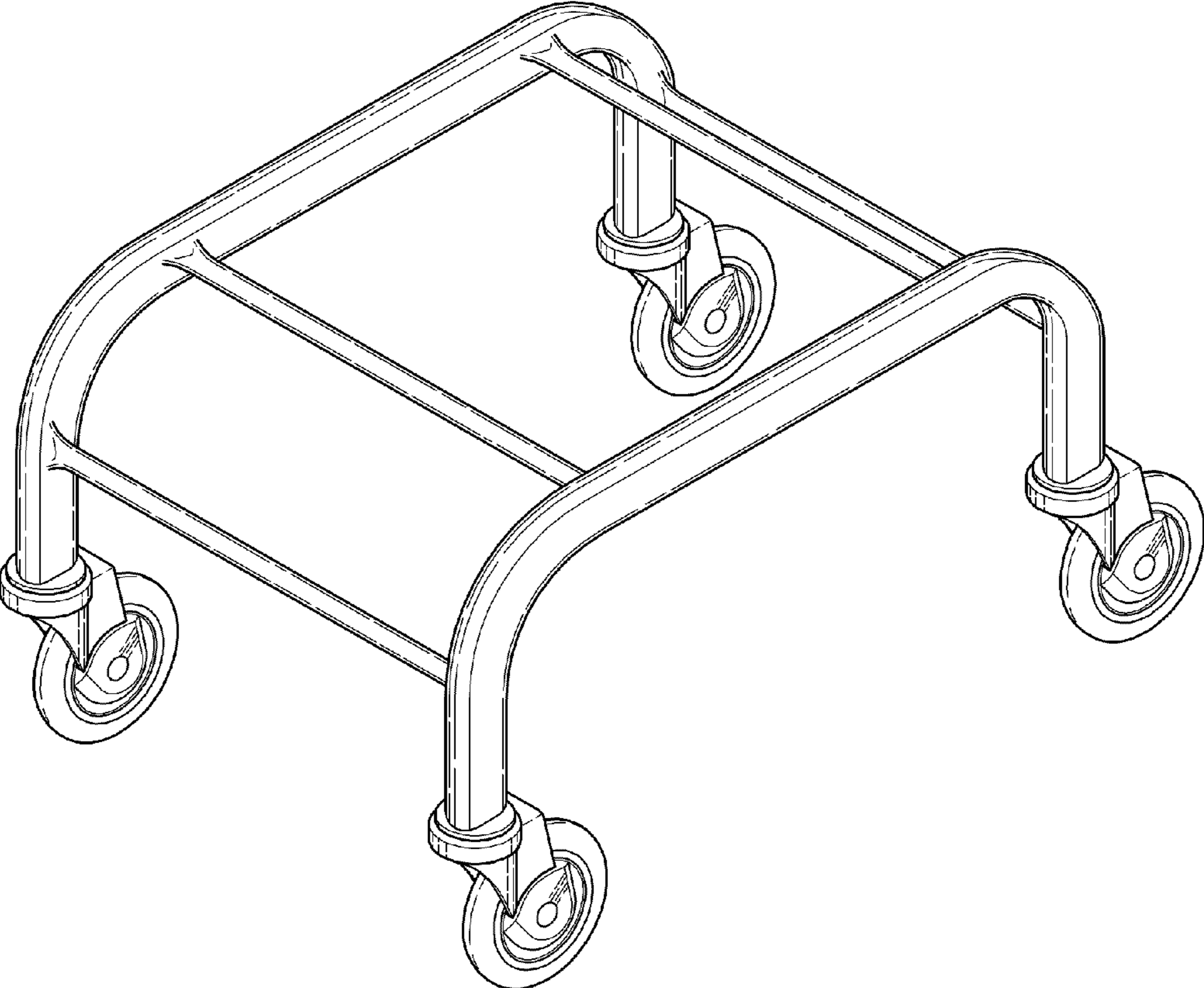


FIG. 2

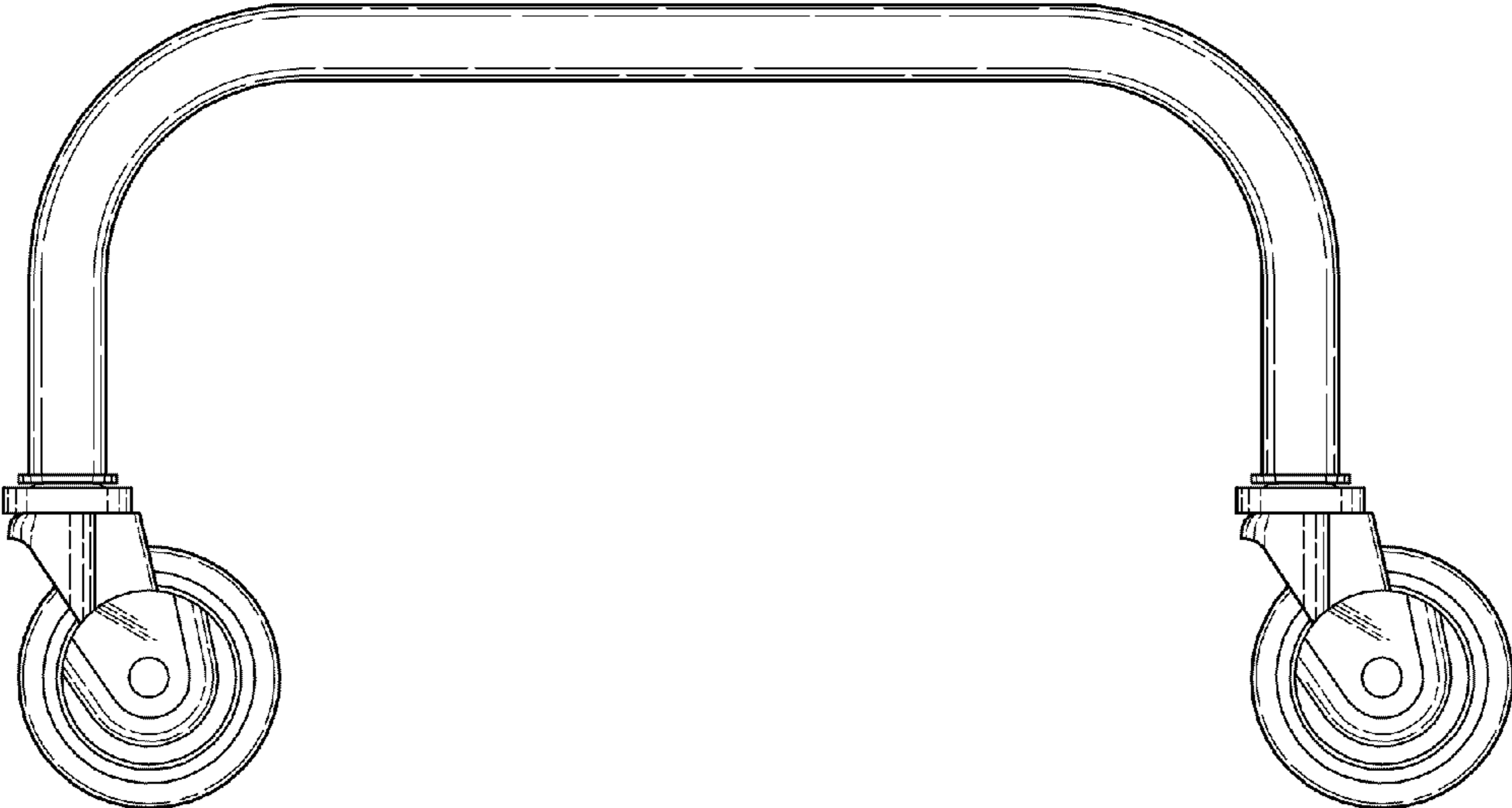


FIG. 3

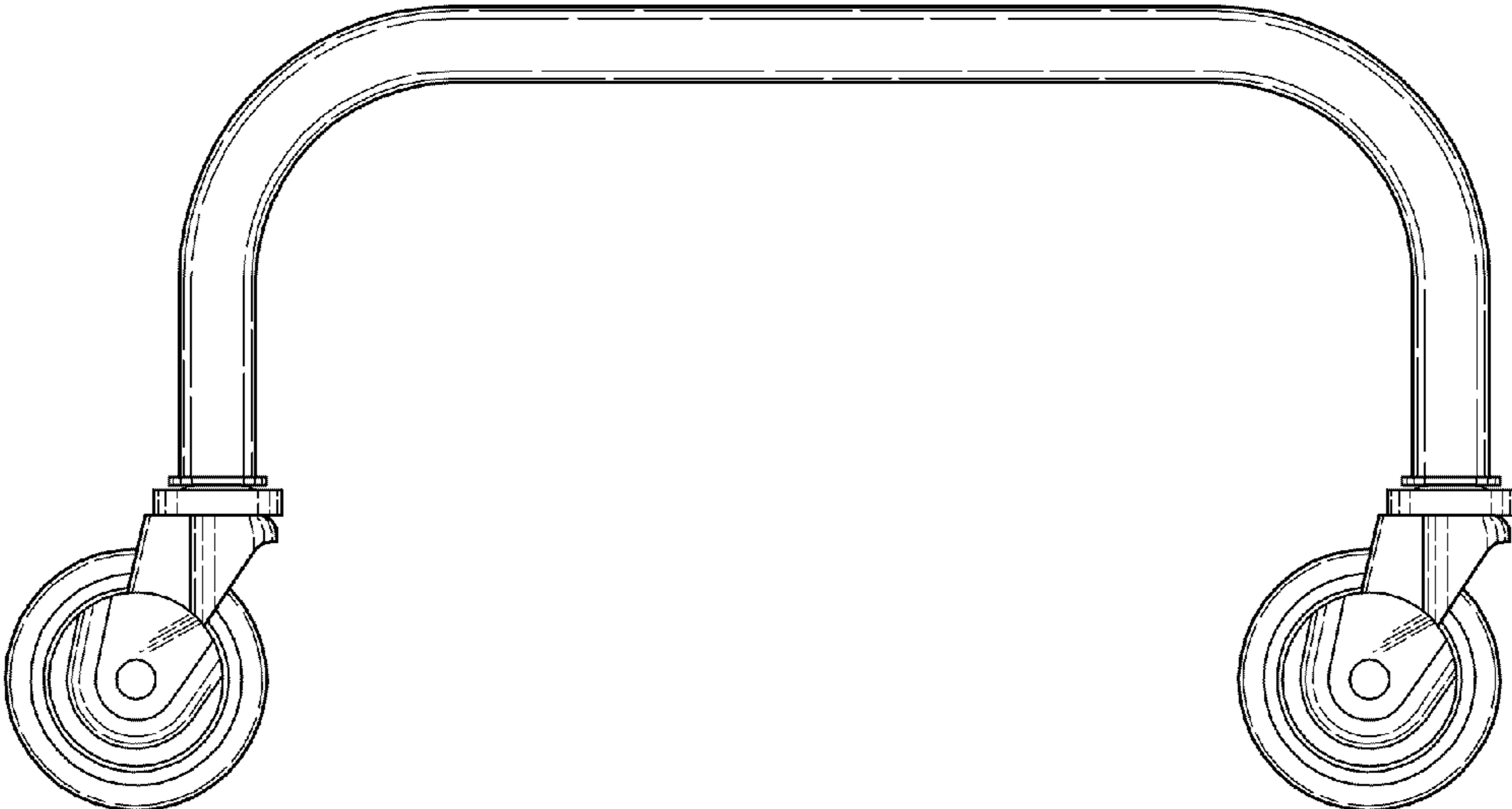


FIG. 4

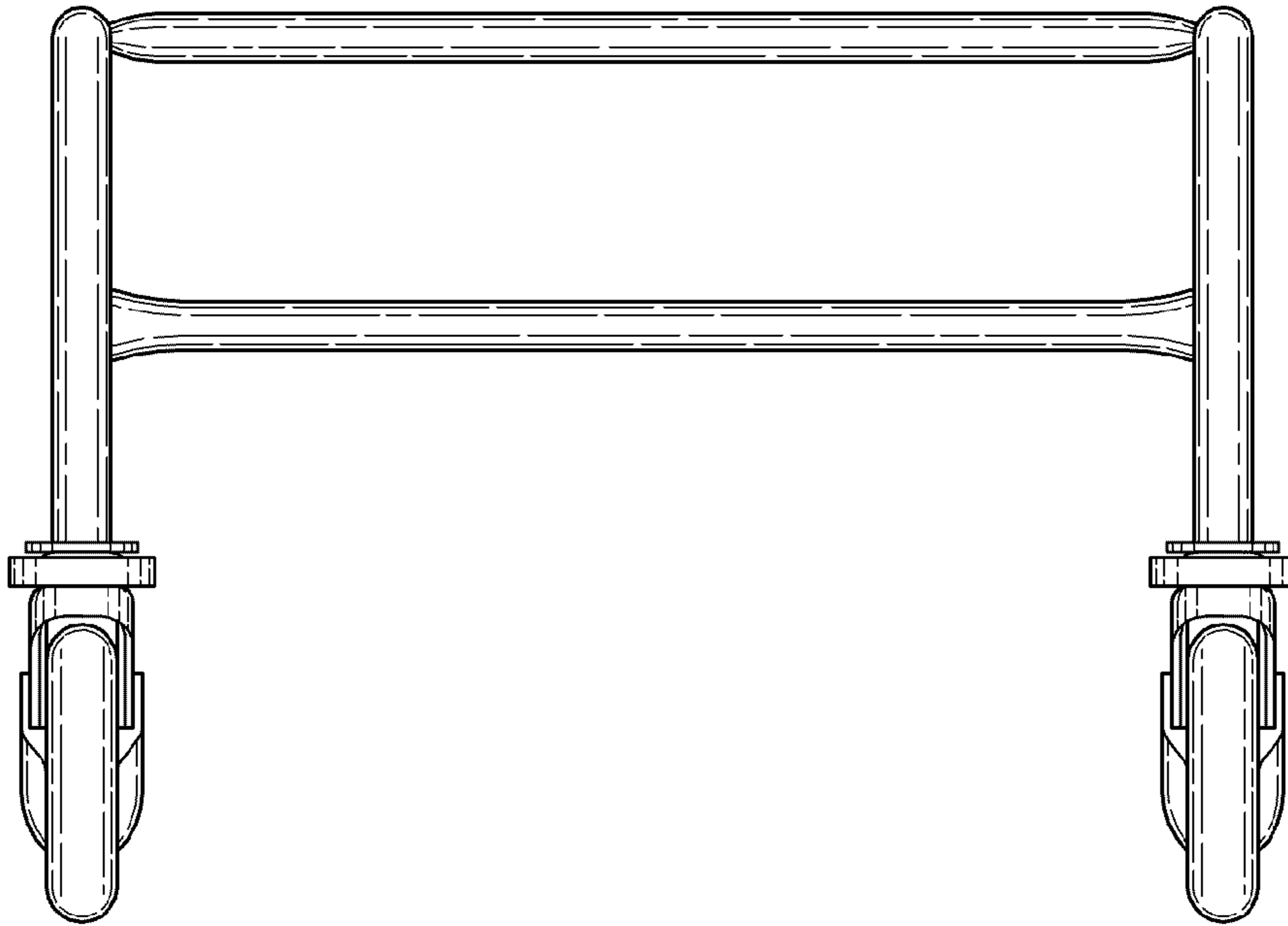


FIG. 5

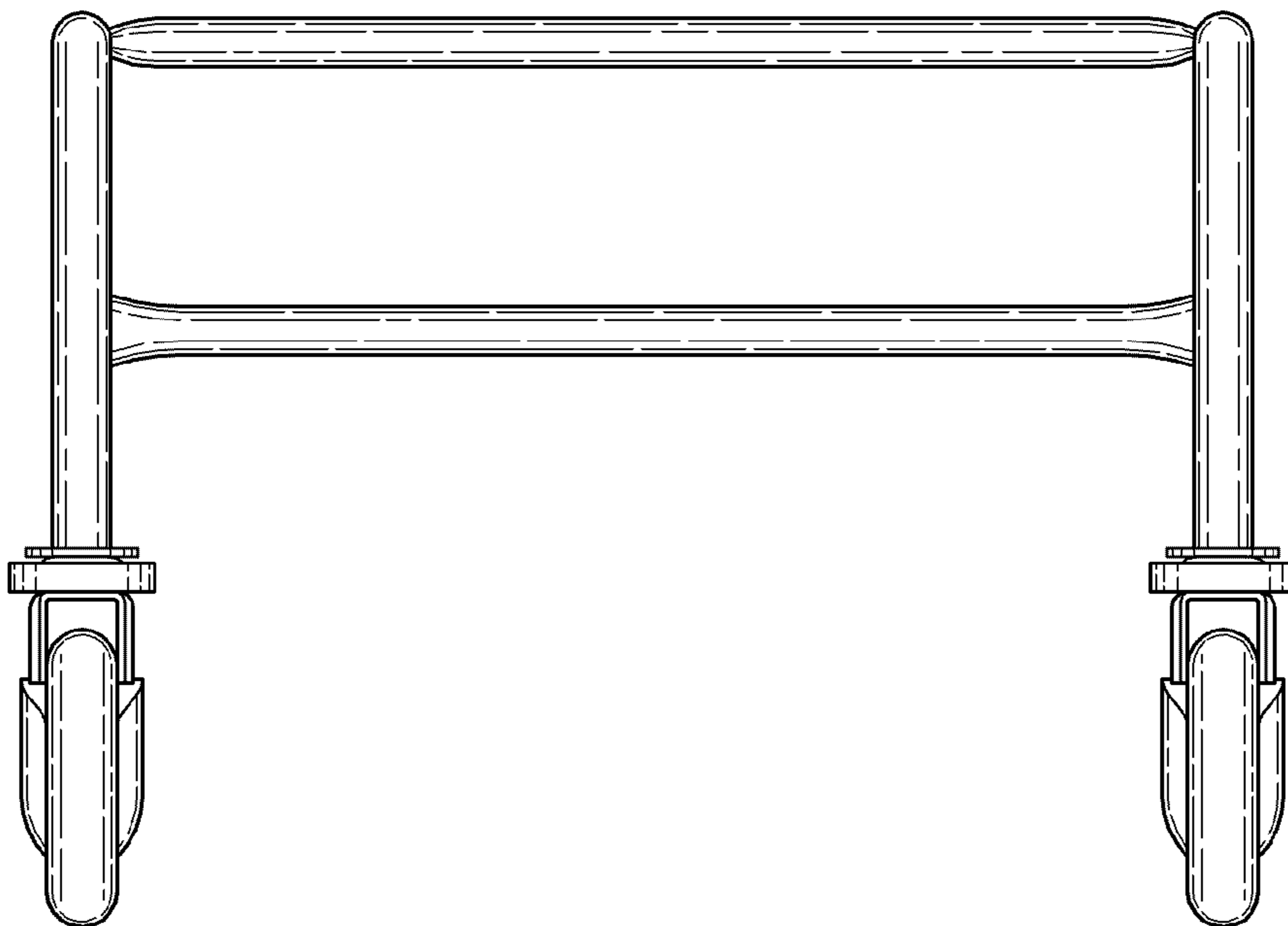


FIG. 6

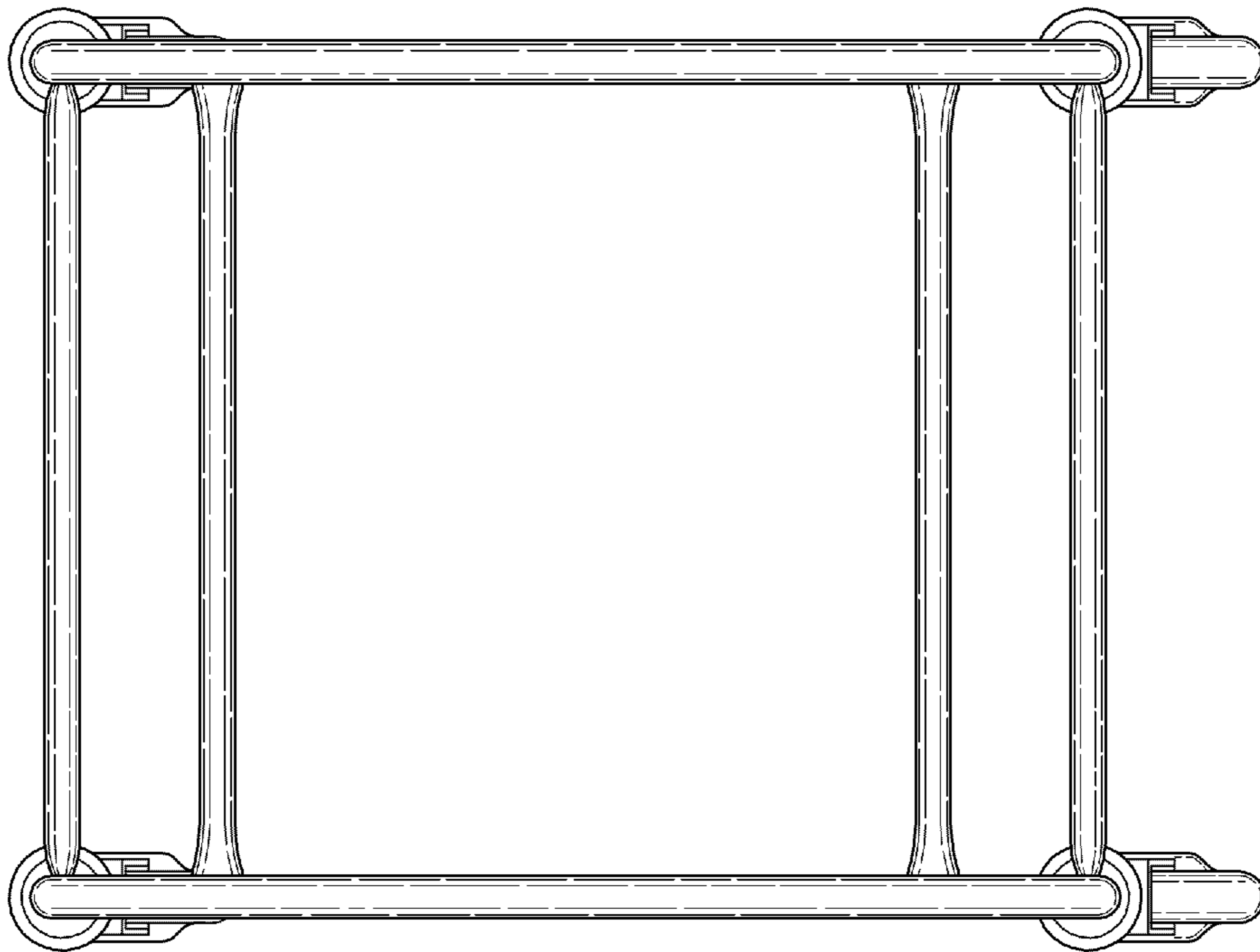


FIG. 7

