



US00D707410S

(12) **United States Design Patent**  
**Jaeyoul et al.**

(10) **Patent No.:** **US D707,410 S**  
(45) **Date of Patent:** **\*\* Jun. 17, 2014**

(54) **VACUUM CLEANER**

(75) Inventors: **Jeong Jaeyoul**, Suwon-si (KR); **Lee Dong Hun**, Ansan-si (KR); **Park Sungjin**, Suwon-si (KR); **Kim Shin**, Hwasung-si (KR)

(73) Assignee: **Samsung Electronics Co., Ltd.**, Gyeonggi-do (KR)

(\*\*) Term: **14 Years**

(21) Appl. No.: **29/427,781**

(22) Filed: **Jul. 23, 2012**

(51) **LOC (10) Cl.** ..... **15-05**

(52) **U.S. Cl.**  
USPC ..... **D32/31**

(58) **Field of Classification Search**  
USPC ..... D32/17-21, 23, 25, 31-33;  
15/319-322, 307, 327.1, 327.5-327.7,  
15/353, 415.1-422, 422.1, 329, 366, 383,  
15/384, 400, 340.2, 52.2, 50.2, 52.1,  
15/327.4, 385, 389, 256.51-256.53,  
15/354-355, 357, 339, 340.1, 340.4,  
15/246.2, 388, 392, 49.1; 180/6.2;  
318/568.12; 901/1; 701/2

See application file for complete search history.

(56) **References Cited**

**U.S. PATENT DOCUMENTS**

2,955,303	A *	10/1960	Rench et al.	15/52.1
3,344,455	A *	10/1967	Pauler et al.	15/50.1
6,421,869	B1 *	7/2002	Olsson	15/50.1
D497,694	S *	10/2004	Wareham et al.	D32/19

7,861,352	B2 *	1/2011	Reindle	15/52.1
8,001,651	B2 *	8/2011	Chang	15/319
8,046,870	B2 *	11/2011	Tanasescu	15/385
8,074,320	B2 *	12/2011	Batchelder et al.	15/319
8,087,117	B2 *	1/2012	Kapoor et al.	15/52.1
2001/0032372	A1 *	10/2001	Tremmel et al.	15/385
2004/0163199	A1 *	8/2004	Hsu	15/320
2004/0231089	A1 *	11/2004	Vilarasau Alegre	15/319
2005/0015913	A1 *	1/2005	Kim et al.	15/319
2007/0074370	A1 *	4/2007	Oh	15/385
2009/0064448	A1 *	3/2009	Oh et al.	15/320
2010/0107356	A1 *	5/2010	Jakubos et al.	15/383
2012/0144619	A1 *	6/2012	Forbes et al.	15/383

\* cited by examiner

*Primary Examiner* — Ruth McInroy

(74) *Attorney, Agent, or Firm* — Harness, Dickey & Pierce, P.L.C.

(57) **CLAIM**

We claim the ornamental design for a vacuum cleaner, as shown and described.

**DESCRIPTION**

FIG. 1 is a front/right-side/top perspective view of a vacuum cleaner showing our new design;  
FIG. 2 is a front elevational view thereof, the rear view being identical;  
FIG. 3 is a left side elevational view thereof, the right side being identical;  
FIG. 4 is a top plan view thereof;  
FIG. 5 is a bottom plan view thereof; and,  
FIG. 6 is a front/right-side/bottom perspective view thereof.  
The details shown in broken lines form no part of the claimed design.

**1 Claim, 3 Drawing Sheets**

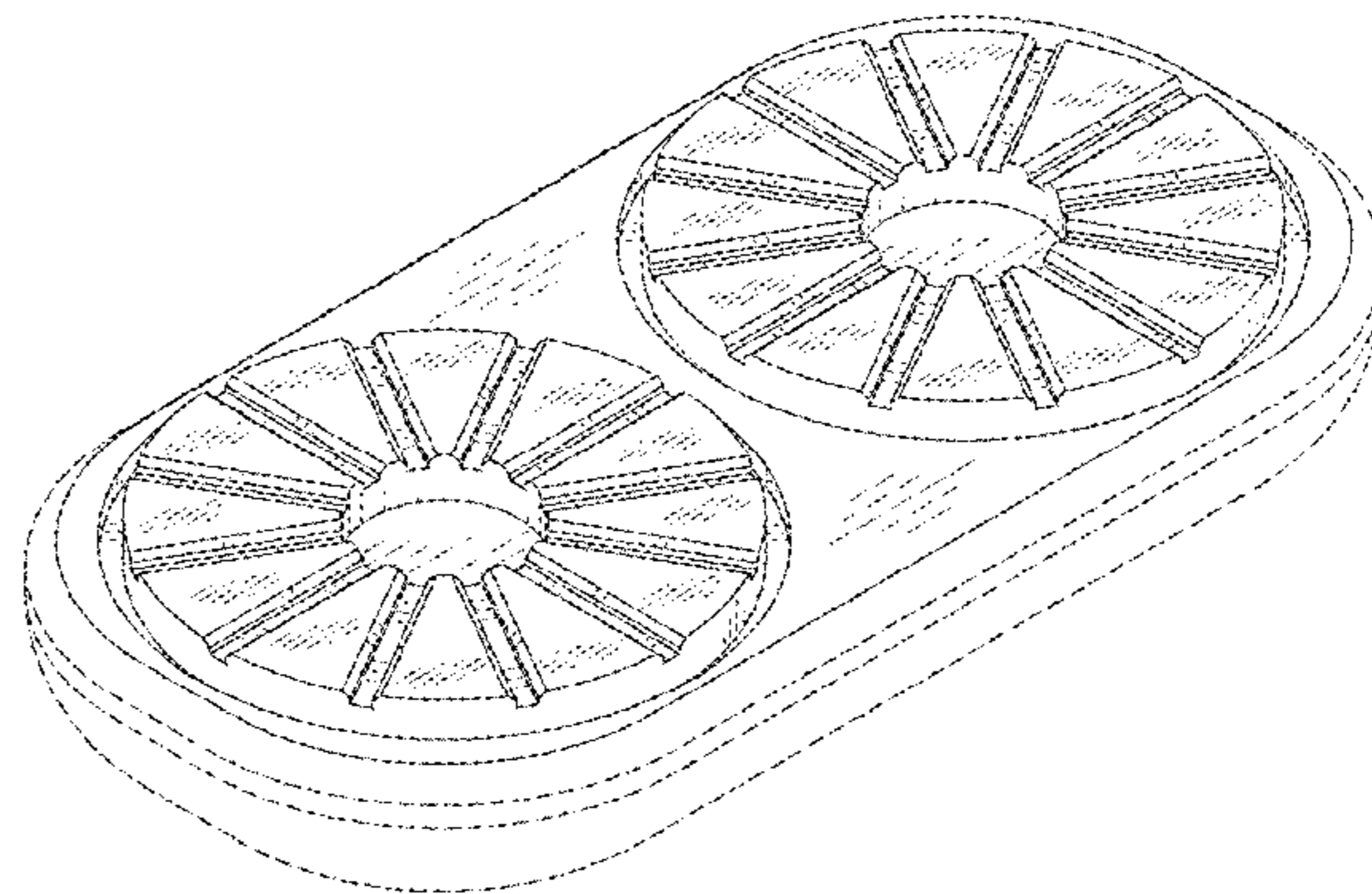
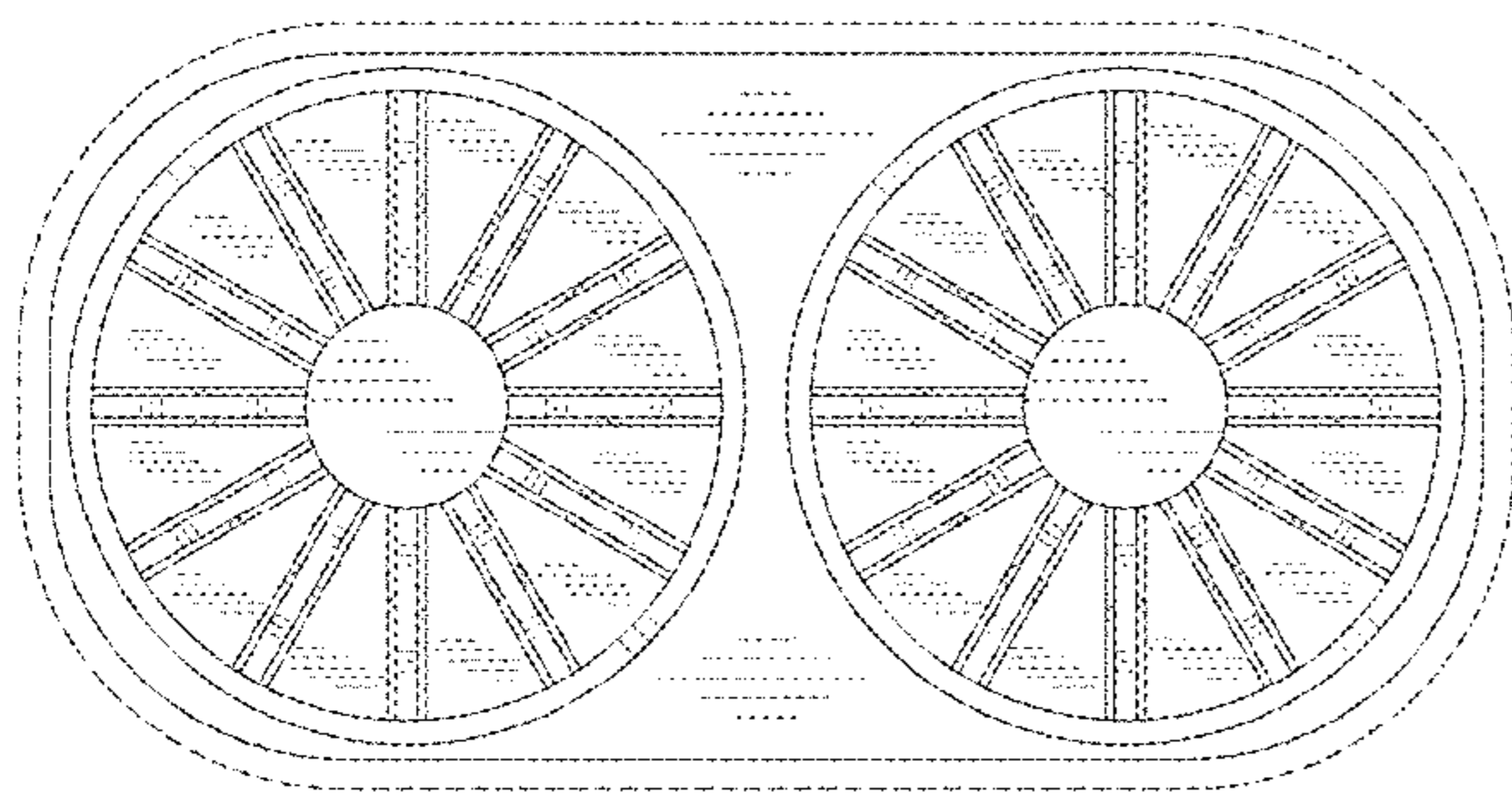


FIG. 1

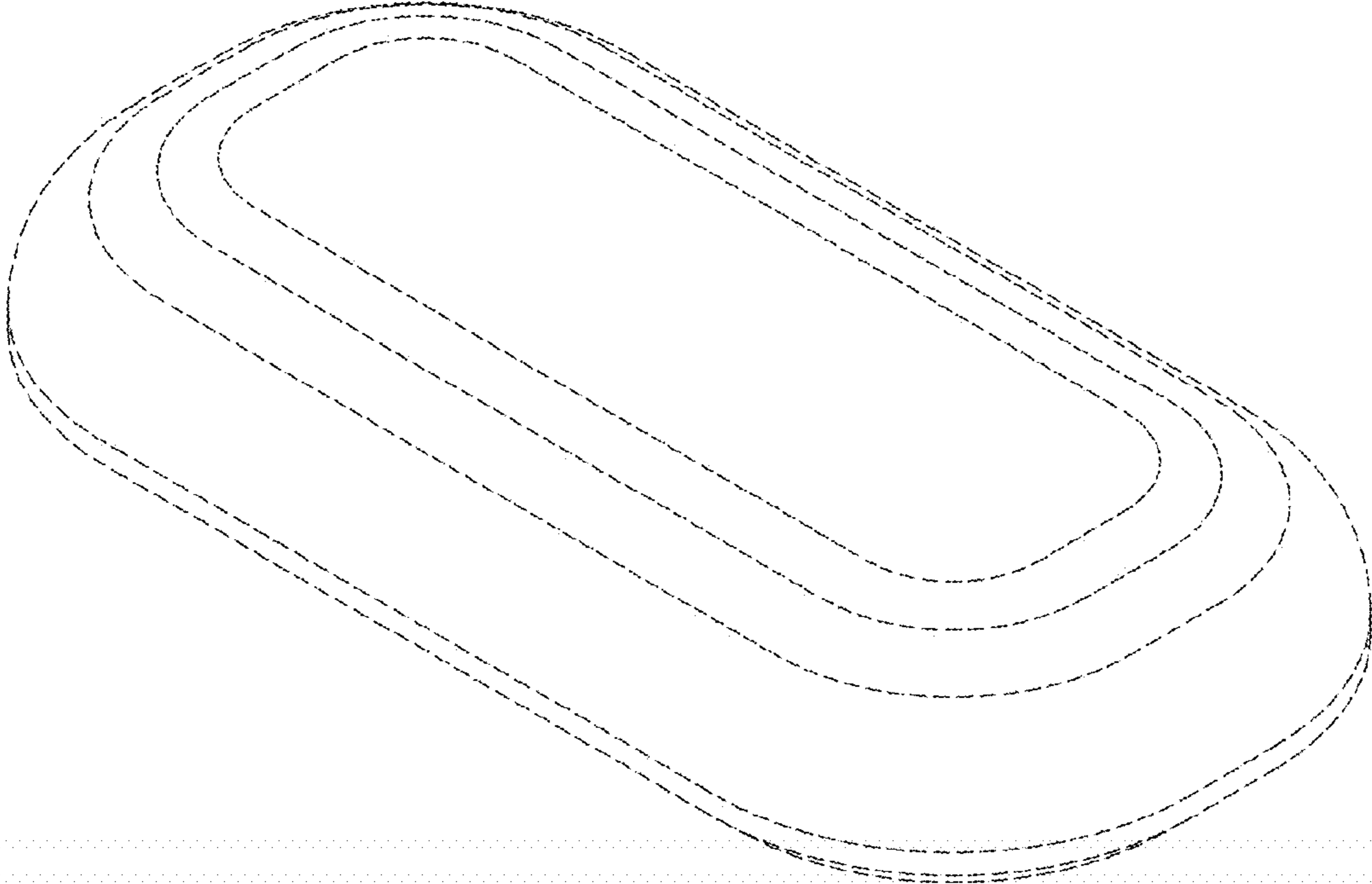


FIG. 2

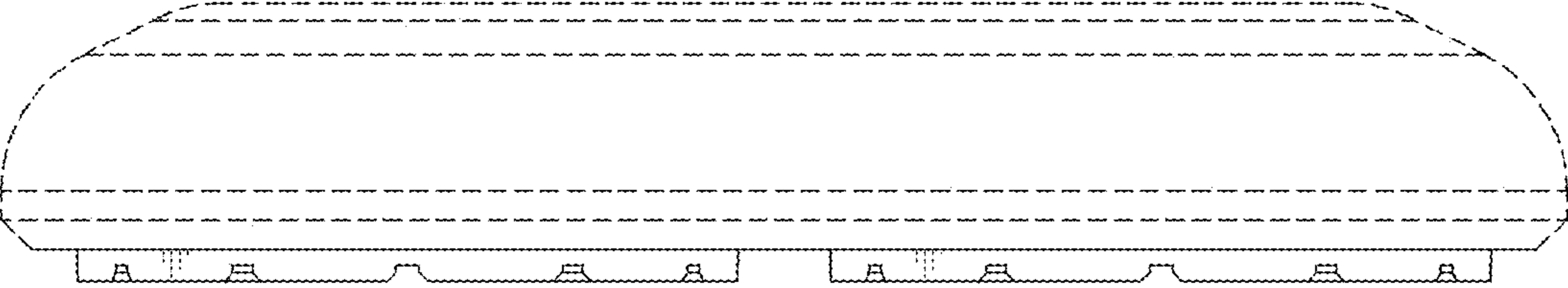


FIG. 3

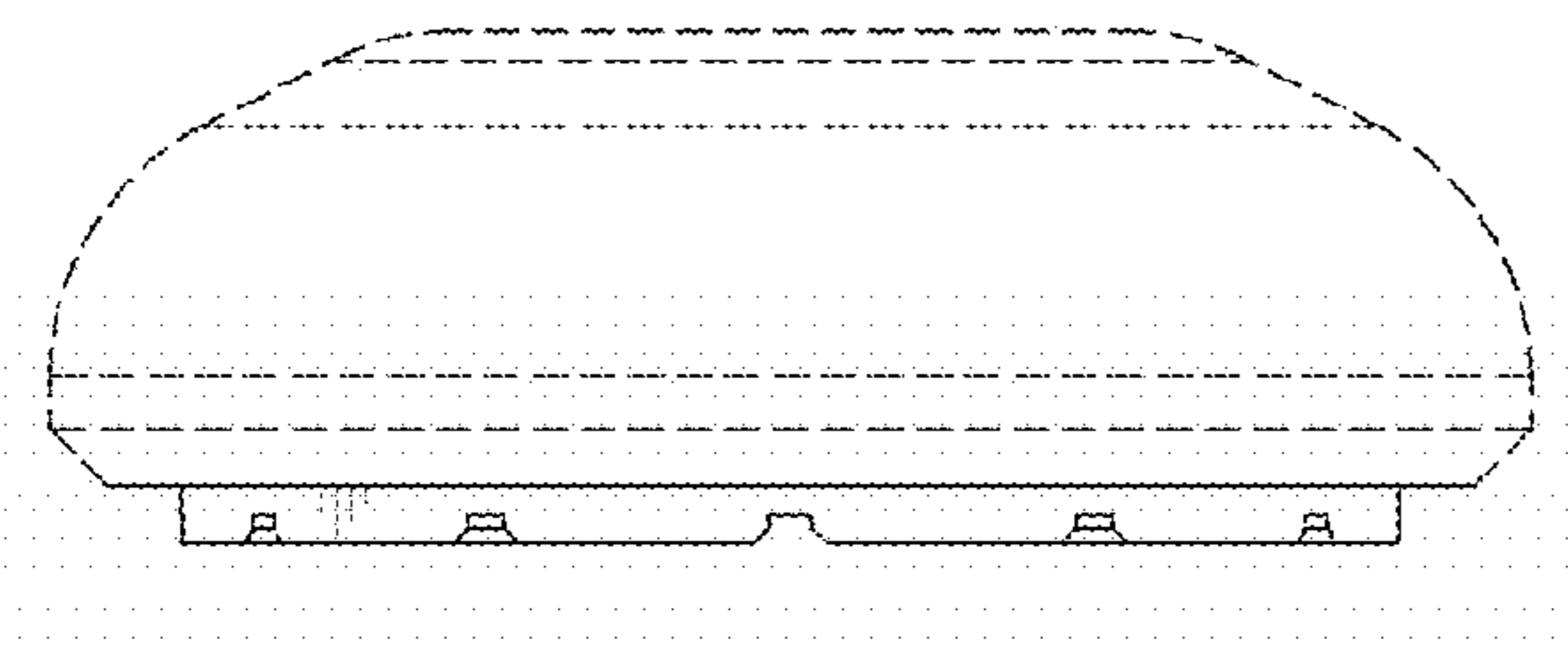


FIG. 4

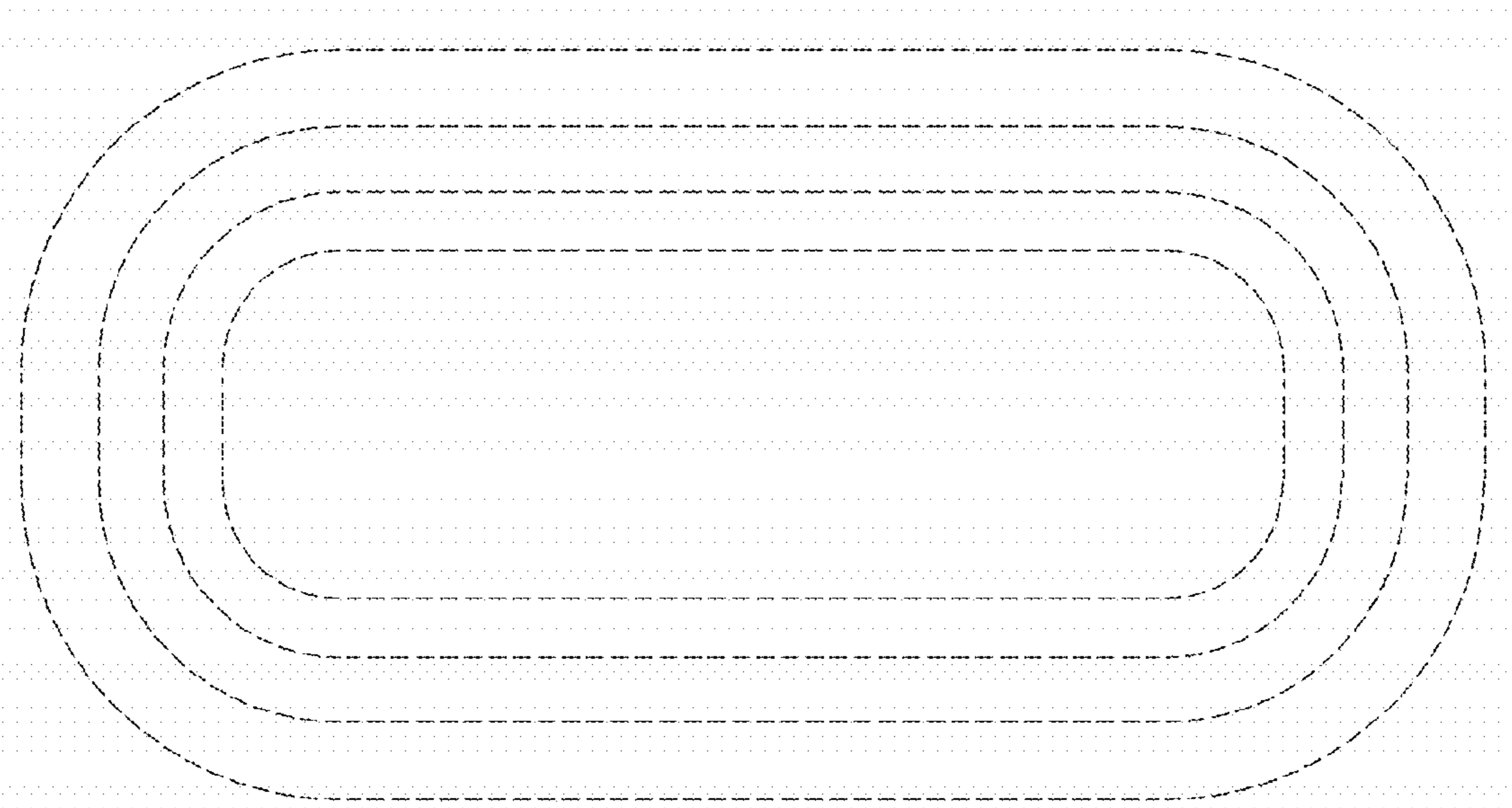


FIG. 5

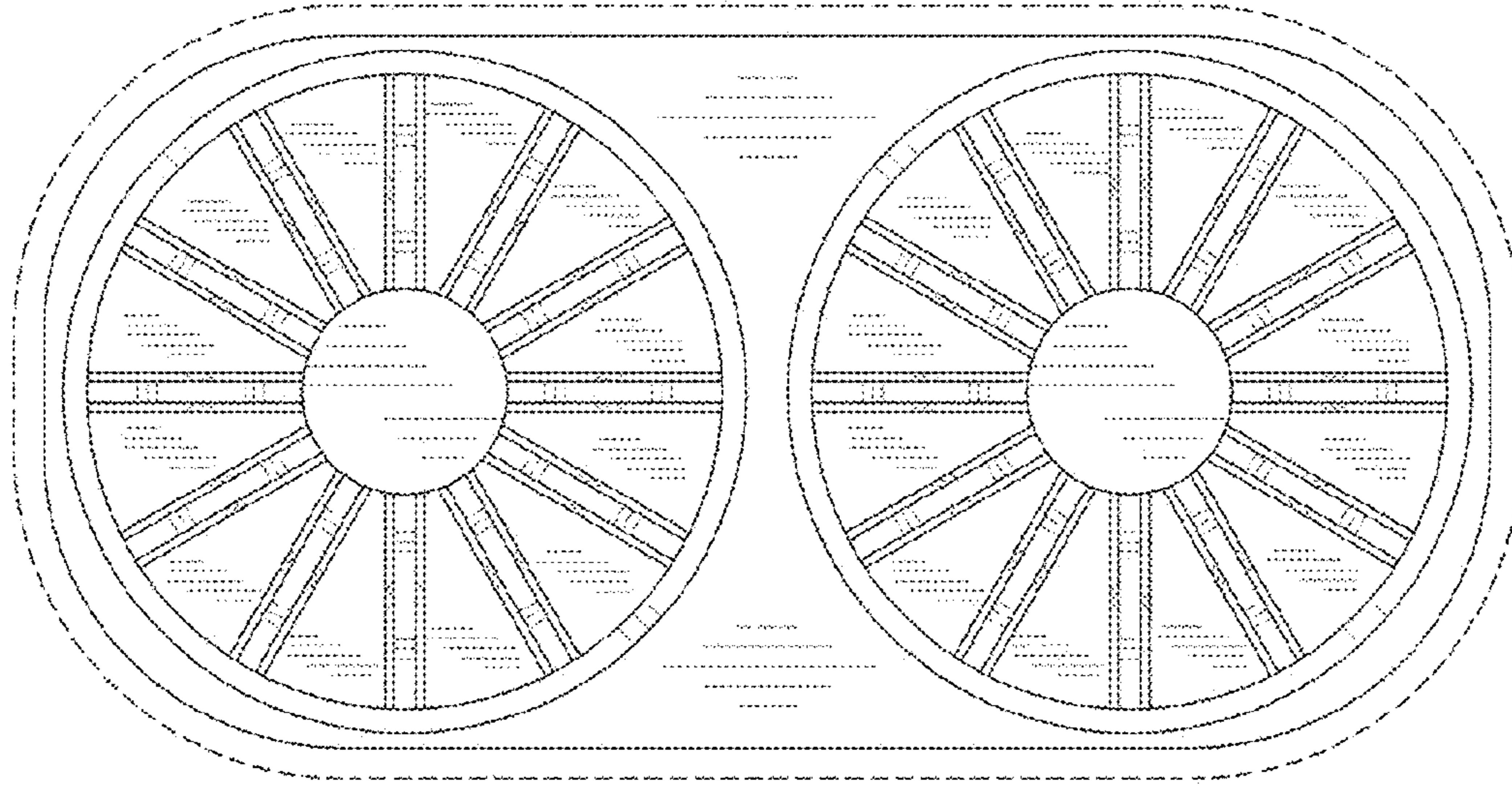


FIG. 6

