



US00D707407S

(12) **United States Design Patent**  
**Okabe et al.**

(10) **Patent No.:** **US D707,407 S**  
(45) **Date of Patent:** **\*\* Jun. 17, 2014**

(54) **VACUUM CLEANER**

(71) Applicant: **Panasonic Corporation**, Osaka (JP)

(72) Inventors: **Kensaku Okabe**, Osaka (JP); **Masakazu Umeda**, Shiga (JP); **Kouhei Mimura**, Osaka (JP)

(73) Assignee: **Panasonic Corporation**, Osaka (JP)

(\*\*) Term: **14 Years**

(21) Appl. No.: **29/458,615**

(22) Filed: **Jun. 21, 2013**

(30) **Foreign Application Priority Data**

Jan. 8, 2013 (JP) ..... 2013-000090

(51) **LOC (10) Cl.** ..... **15-05**

(52) **U.S. Cl.**  
USPC ..... **D32/21**

(58) **Field of Classification Search**  
USPC ..... D32/21, 23-24, 31; 15/327.1-327.7,  
15/352, 353, 321, 347, 329; 55/429,  
55/DIG. 3, 337; D12/204, 207, 209, 13,  
D12/215; D21/563

See application file for complete search history.

(56) **References Cited**

**U.S. PATENT DOCUMENTS**

D445,226 S \* 7/2001 Jupp ..... D32/21  
6,484,350 B2 \* 11/2002 Yung ..... 15/327.1  
D476,783 S \* 7/2003 Kondo et al. .... D32/21  
7,000,288 B2 \* 2/2006 Nighy ..... 15/327.1

D534,696 S \* 1/2007 Choi ..... D32/21  
D552,310 S \* 10/2007 Shin ..... D32/21  
D556,400 S \* 11/2007 Houghton ..... D32/21  
7,380,308 B2 \* 6/2008 Oh et al. .... 15/327.2  
D594,609 S 6/2009 Dyson et al.  
D646,030 S \* 9/2011 Carr et al. .... D32/21  
D646,031 S \* 9/2011 Carr et al. .... D32/21  
D657,508 S \* 4/2012 Dyson et al. .... D32/21  
2002/0069476 A1 \* 6/2002 Yung ..... 15/352  
2013/0025086 A1 \* 1/2013 Komae et al. .... 15/347

**FOREIGN PATENT DOCUMENTS**

EM 002164608-0003 1/2013  
JP 1401070 11/2010

\* cited by examiner

*Primary Examiner* — Ruth McInroy

(74) *Attorney, Agent, or Firm* — Panasonic Patent Center

(57) **CLAIM**

We claim the ornamental design for a vacuum cleaner, as shown and described.

**DESCRIPTION**

FIG. 1 is a front perspective view of a vacuum cleaner of the present invention;  
FIG. 2 is a rear perspective view thereof;  
FIG. 3 is a front view thereof;  
FIG. 4 is a rear view thereof;  
FIG. 5 is a left side view thereof;  
FIG. 6 is a right side view thereof;  
FIG. 7 is a top view thereof; and,  
FIG. 8 is a bottom view thereof.

The details shown in broken lines form no part of the claimed design.

**1 Claim, 8 Drawing Sheets**

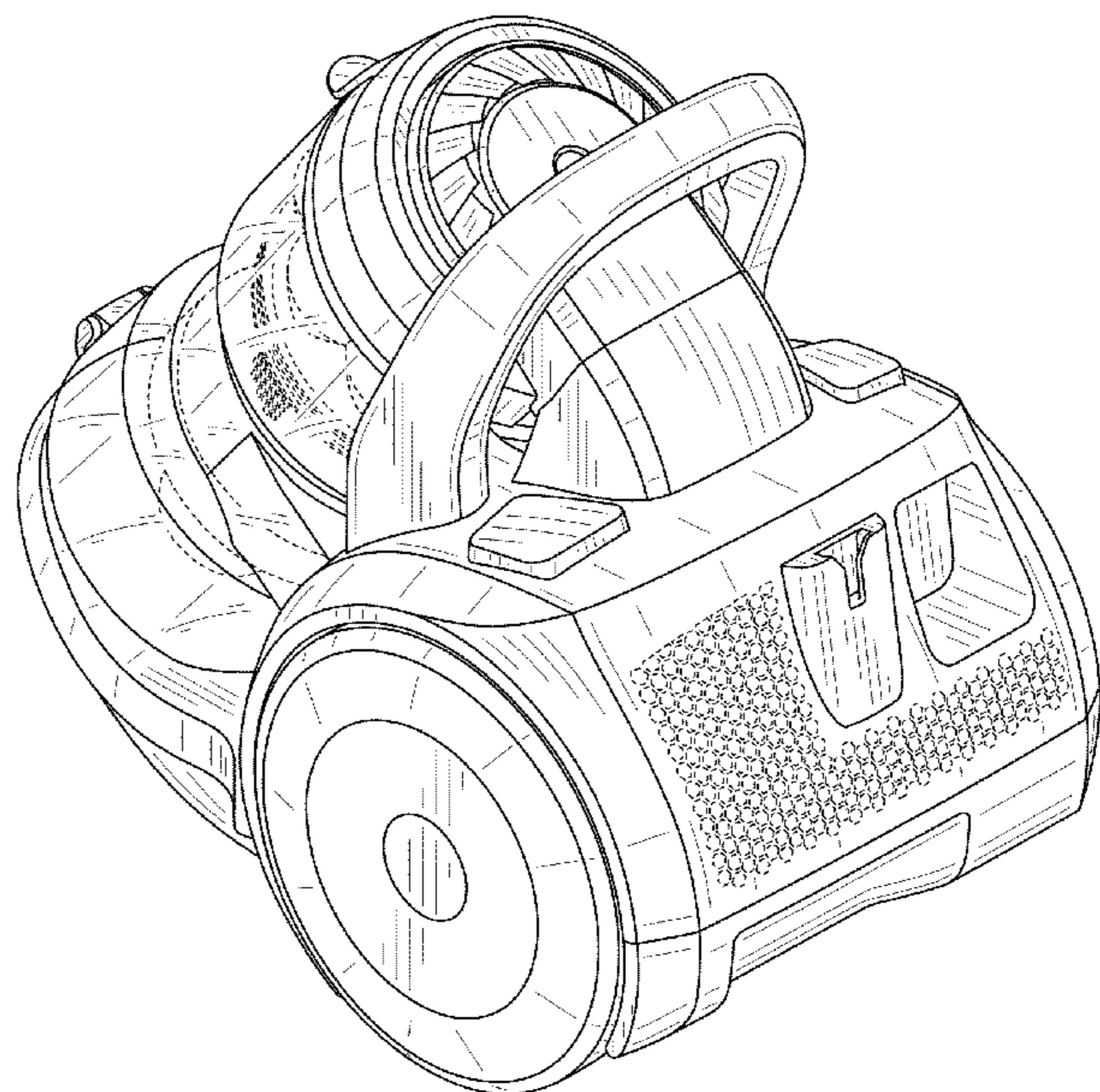
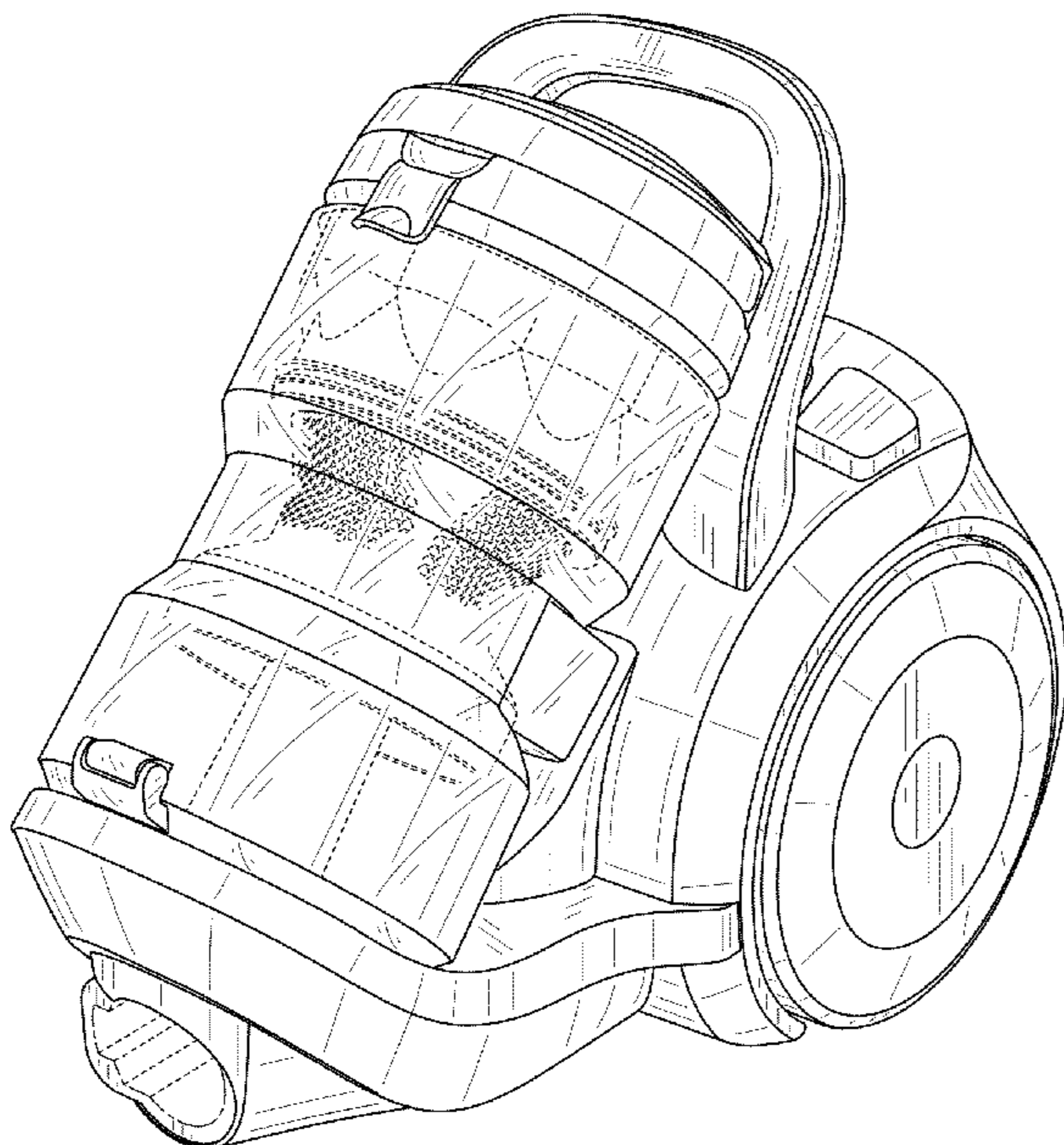


FIG. 1

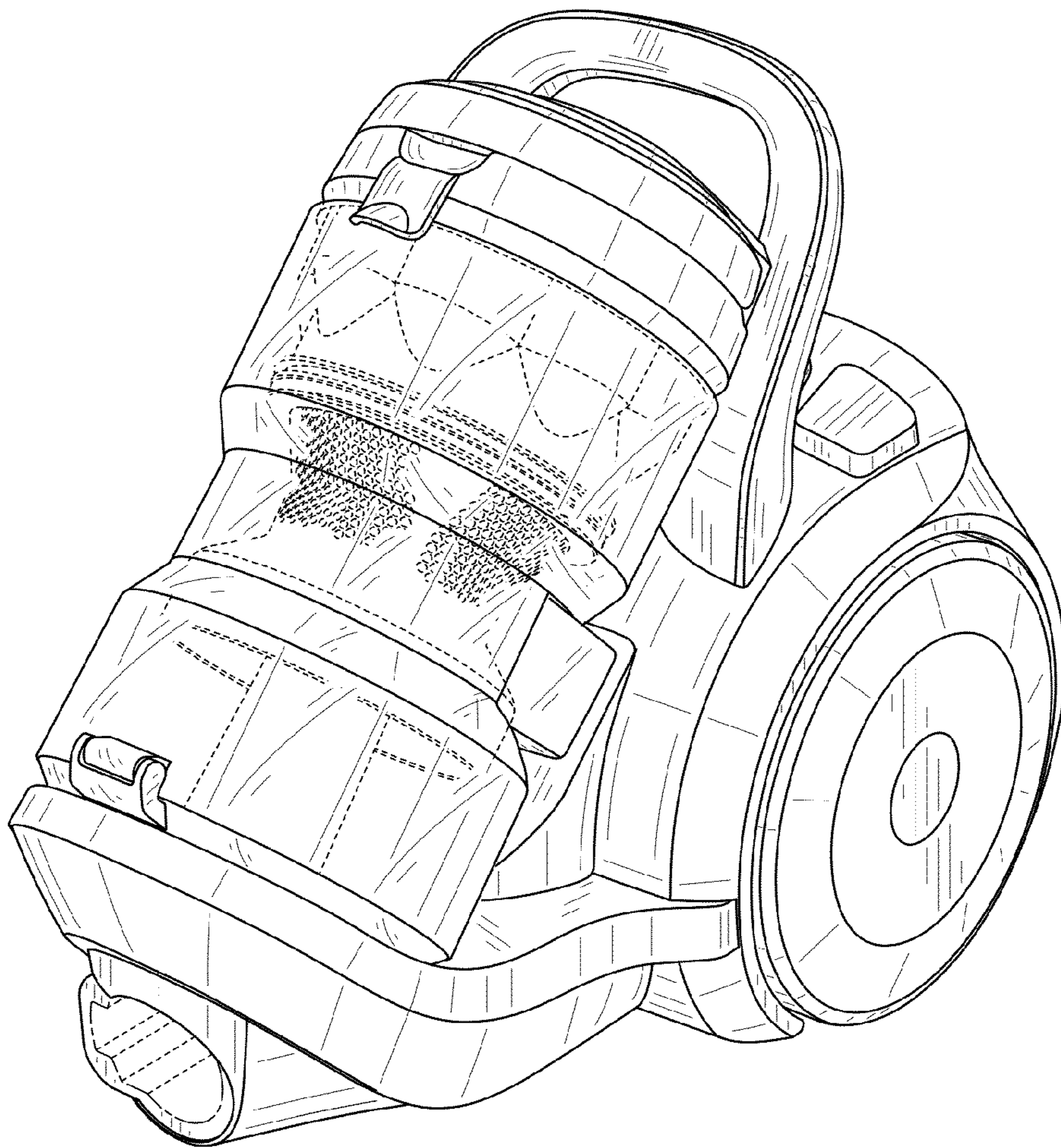


FIG. 2

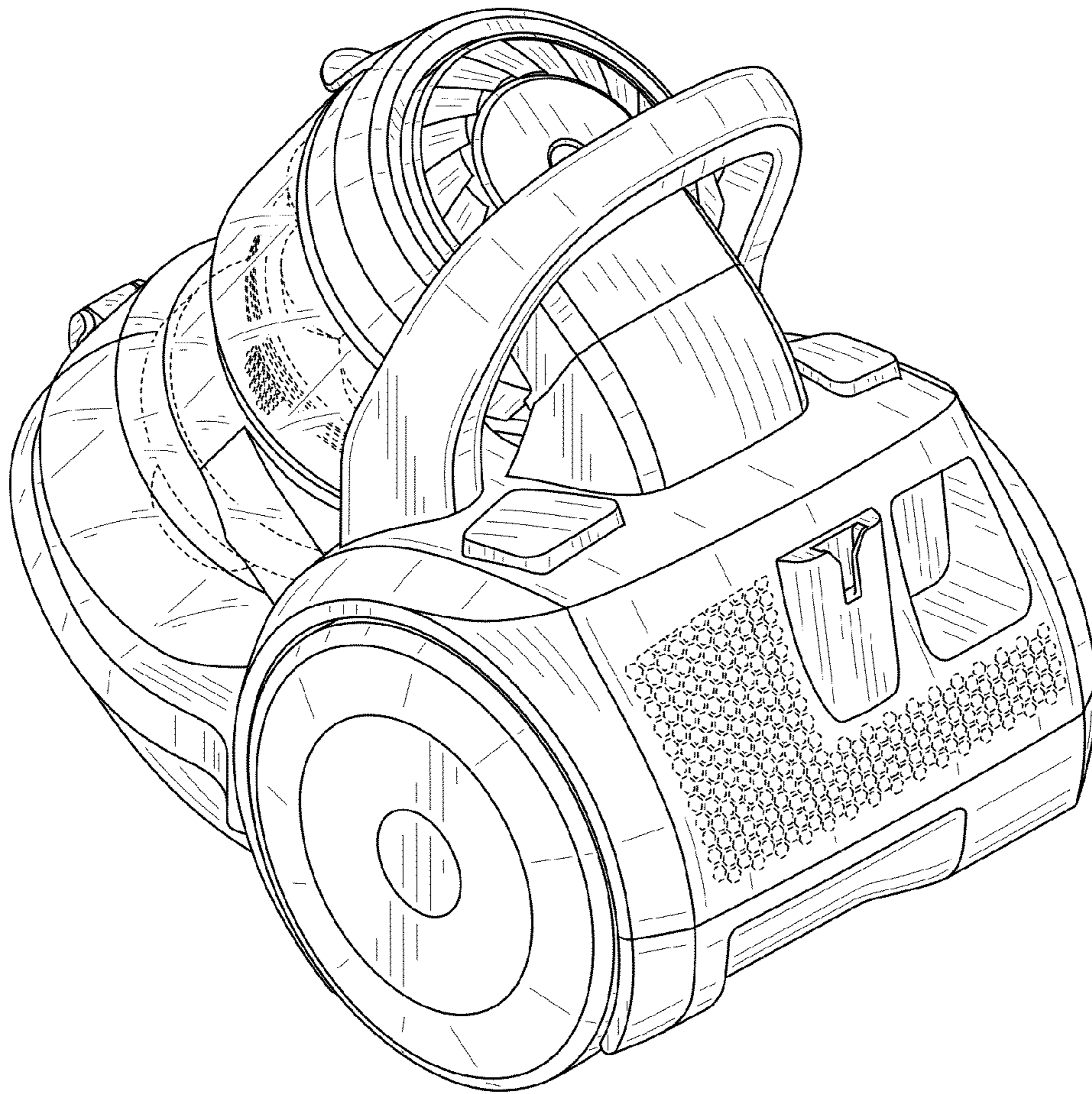


FIG. 3

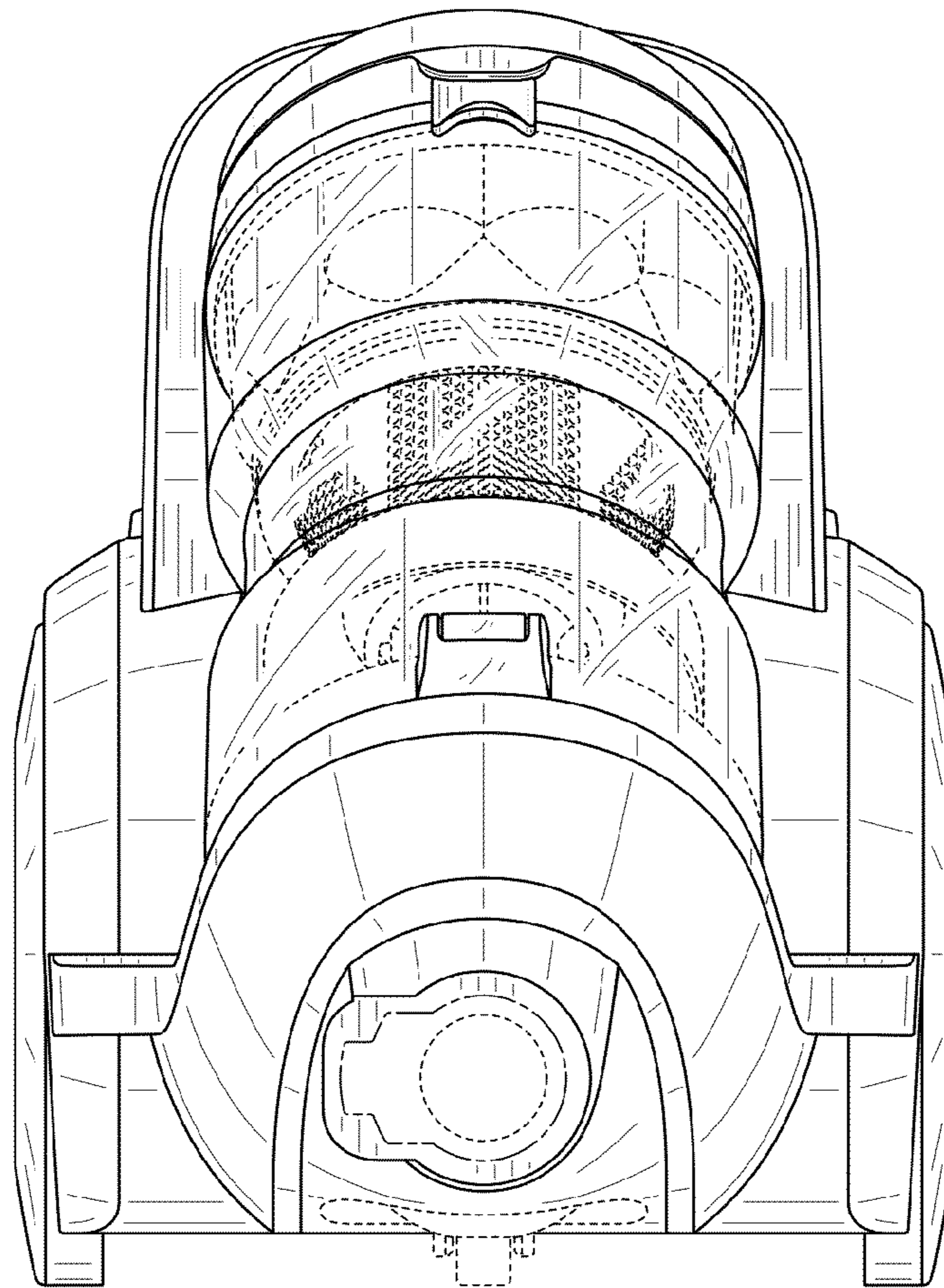


FIG. 4

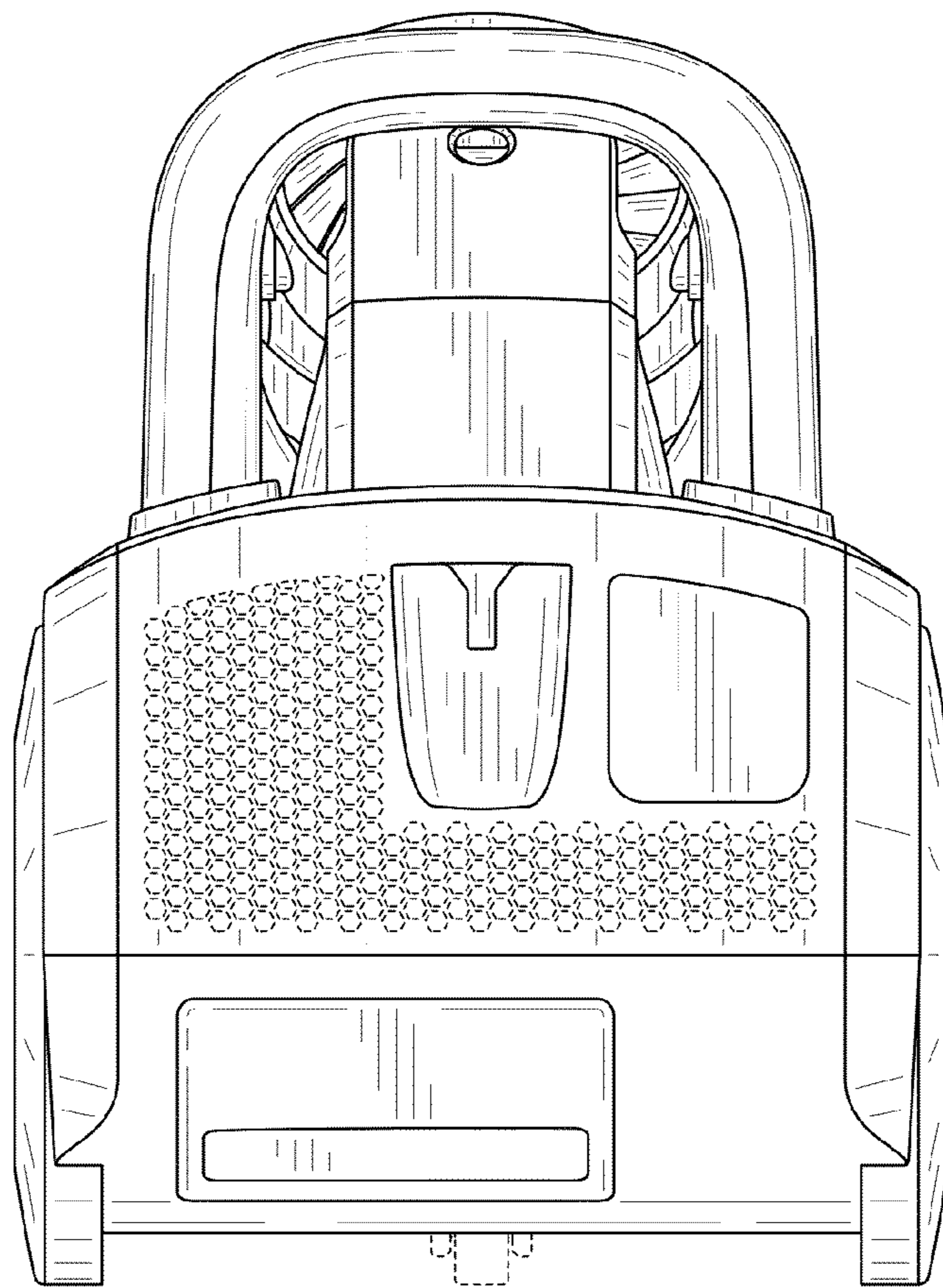


FIG. 5

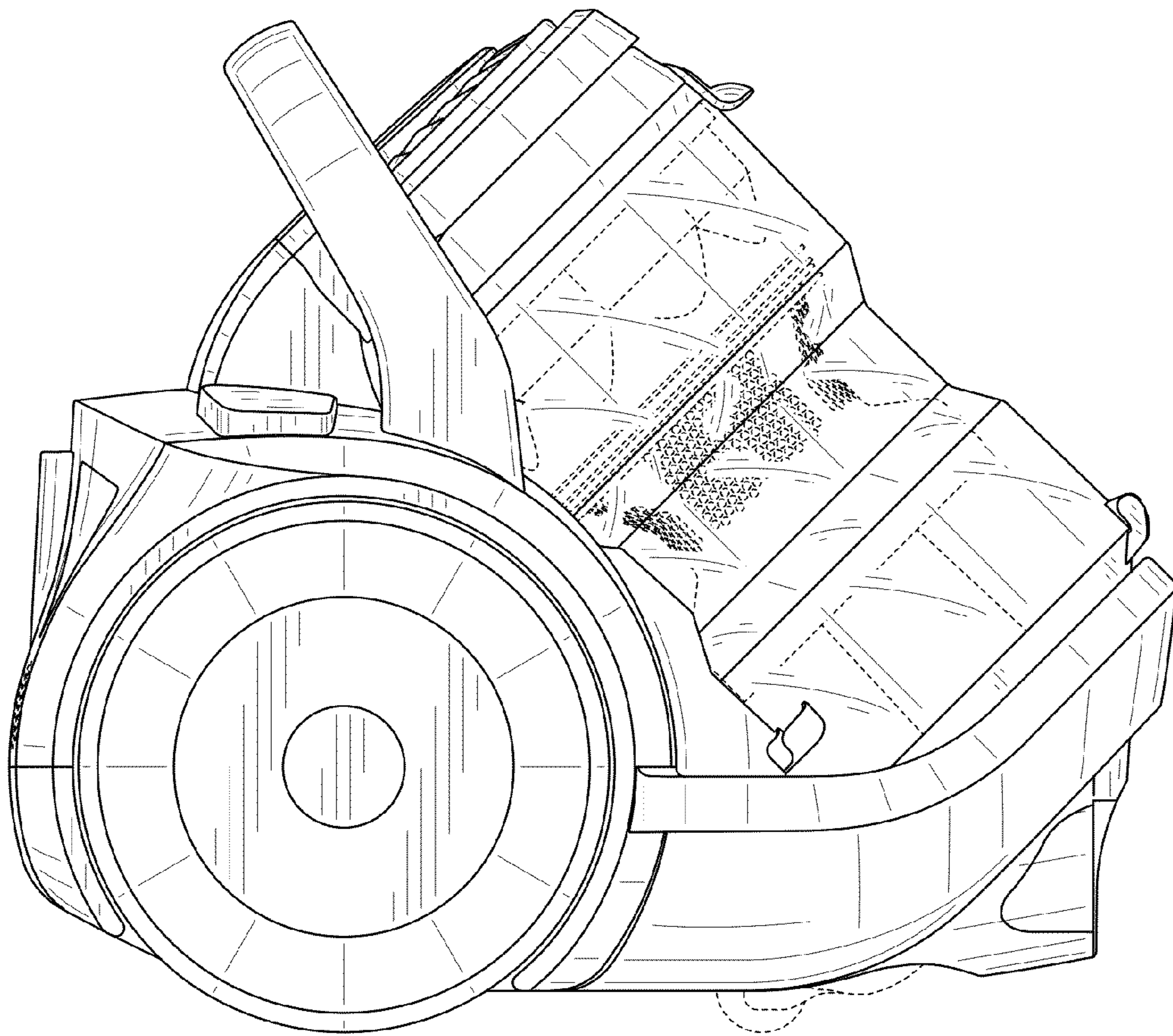


FIG. 6

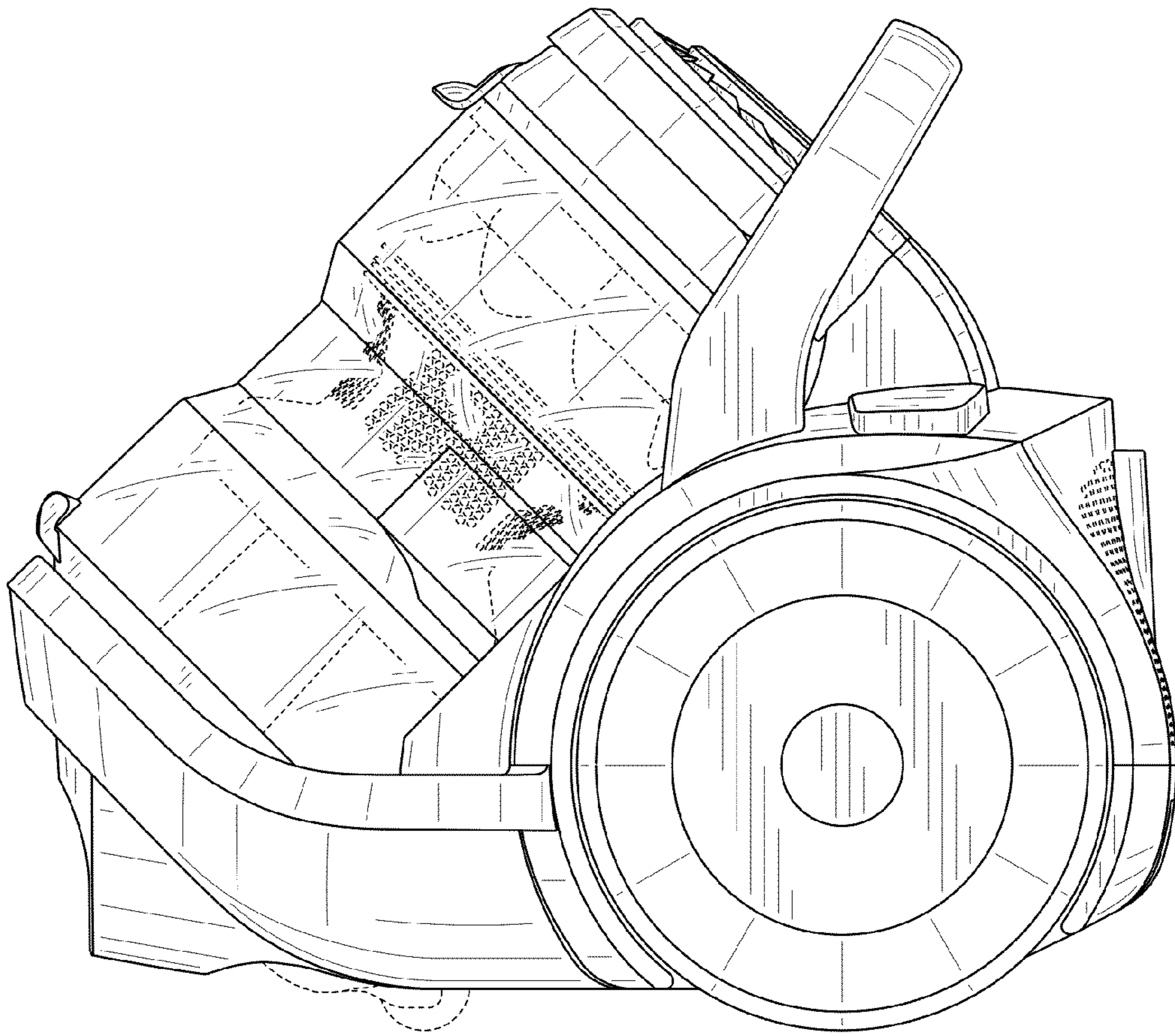


FIG. 7

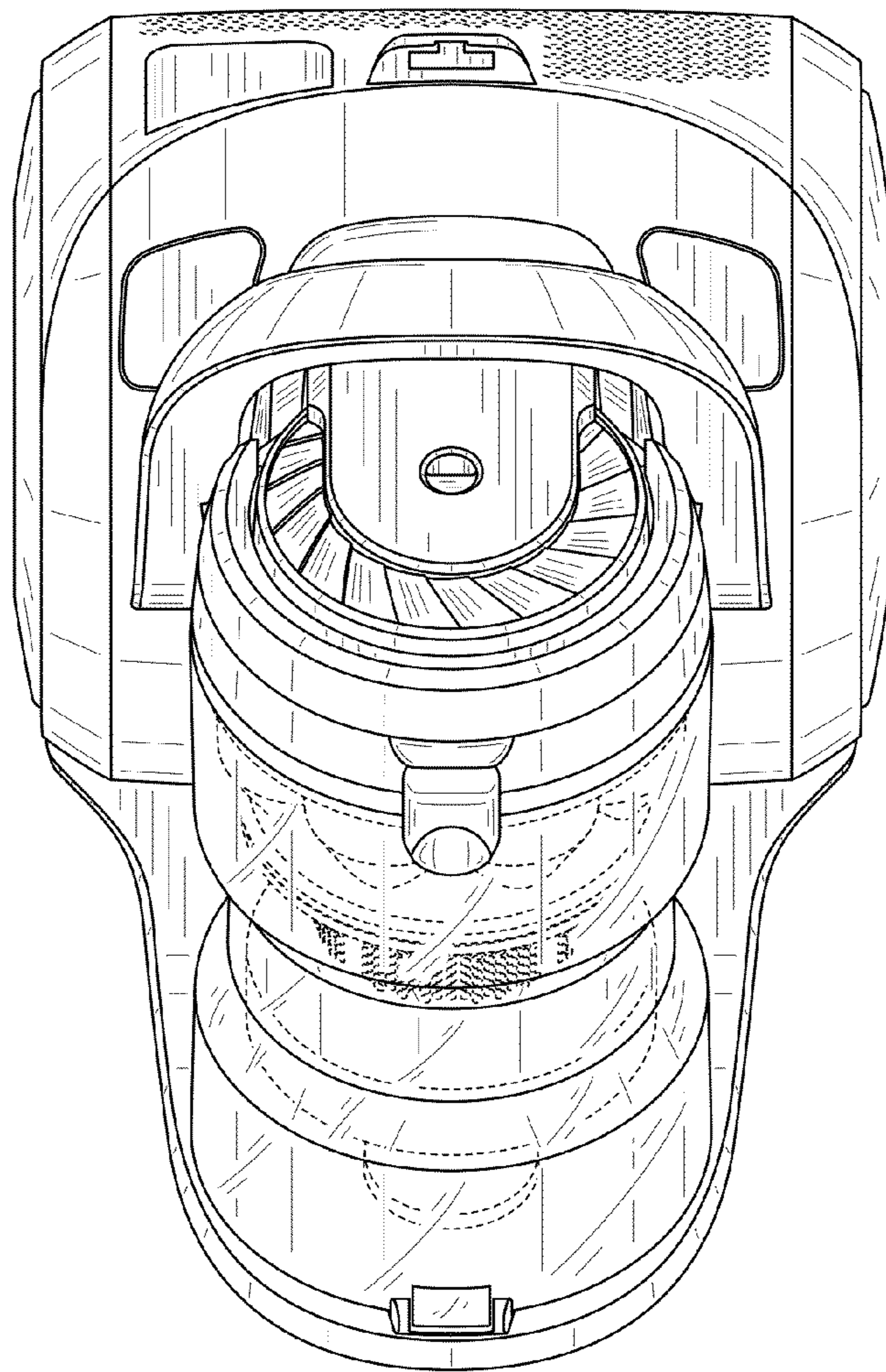




FIG. 8

