



US00D707404S

(12) **United States Design Patent**
Kaady

(10) **Patent No.:** **US D707,404 S**
(45) **Date of Patent:** **** Jun. 17, 2014**

(54) **CAR WASH CURTAIN**

(76) Inventor: **Charles M. Kaady**, Portland, OR (US)

(**) Term: **14 Years**

(21) Appl. No.: **29/420,760**

(22) Filed: **May 11, 2012**

(51) **LOC (10) Cl.** **15-05**

(52) **U.S. Cl.**
USPC **D32/4**

(58) **Field of Classification Search**
USPC D32/1, 4, 25; 15/97.3, DIG. 2, 53.1,
15/53.2, 53.3, 53.4; 134/6
See application file for complete search history.

(56) **References Cited**

U.S. PATENT DOCUMENTS

3,499,180	A *	3/1970	Hurwitz	15/97.3
3,765,043	A *	10/1973	Lesser	15/97.3
3,859,686	A *	1/1975	Breish	15/97.3
3,862,460	A *	1/1975	Rockafellow	15/97.3
3,863,290	A *	2/1975	Lesser	15/229.1
4,057,866	A *	11/1977	Belanger	15/97.3
4,173,805	A *	11/1979	Silcock	15/97.3
4,439,883	A *	4/1984	Hanna	15/97.3
4,567,620	A *	2/1986	Hanna	15/97.3
4,756,040	A *	7/1988	Sereny	15/97.3
4,937,908	A *	7/1990	McCadden	15/97.3
5,098,023	A *	3/1992	Burke	239/273
5,148,570	A *	9/1992	Crotts et al.	15/97.3
5,167,044	A *	12/1992	Belanger et al.	15/4
5,410,770	A *	5/1995	Nittoli	15/97.3
5,461,745	A *	10/1995	Nittoli	15/97.3
5,577,288	A *	11/1996	Stinnett et al.	15/97.3
5,584,090	A *	12/1996	Ennis	15/97.3
5,669,981	A *	9/1997	Stinnett et al.	134/6

5,924,156	A *	7/1999	Belanger et al.	15/97.3
D419,272	S *	1/2000	Nordstrom	D32/25
D419,732	S *	1/2000	Nordstrom	D32/25
6,021,556	A *	2/2000	Belanger et al.	29/450
6,766,551	B1	7/2004	Kaady et al.	
6,795,995	B1 *	9/2004	Holbus	15/97.3
7,266,856	B2 *	9/2007	Kohlruss et al.	15/97.3
7,331,079	B2 *	2/2008	Ennis	15/97.3
8,112,839	B2 *	2/2012	Ennis	15/97.3
2002/0184722	A1 *	12/2002	Kaady et al.	15/97.3
2005/0268412	A1 *	12/2005	Pecora	15/97.3
2005/0268413	A1	12/2005	Pecora	
2009/0064431	A1 *	3/2009	Holbus	15/97.3

OTHER PUBLICATIONS

Hanna, Equipment Guide (2009), pp. 2, 12, and 21.
Hanna, S-20 Mitter (2008), pp. 1-10.

* cited by examiner

Primary Examiner — T. Chase Nelson

Assistant Examiner — Kathleen M Sims

(74) *Attorney, Agent, or Firm* — Klarquist Sparkman, LLP

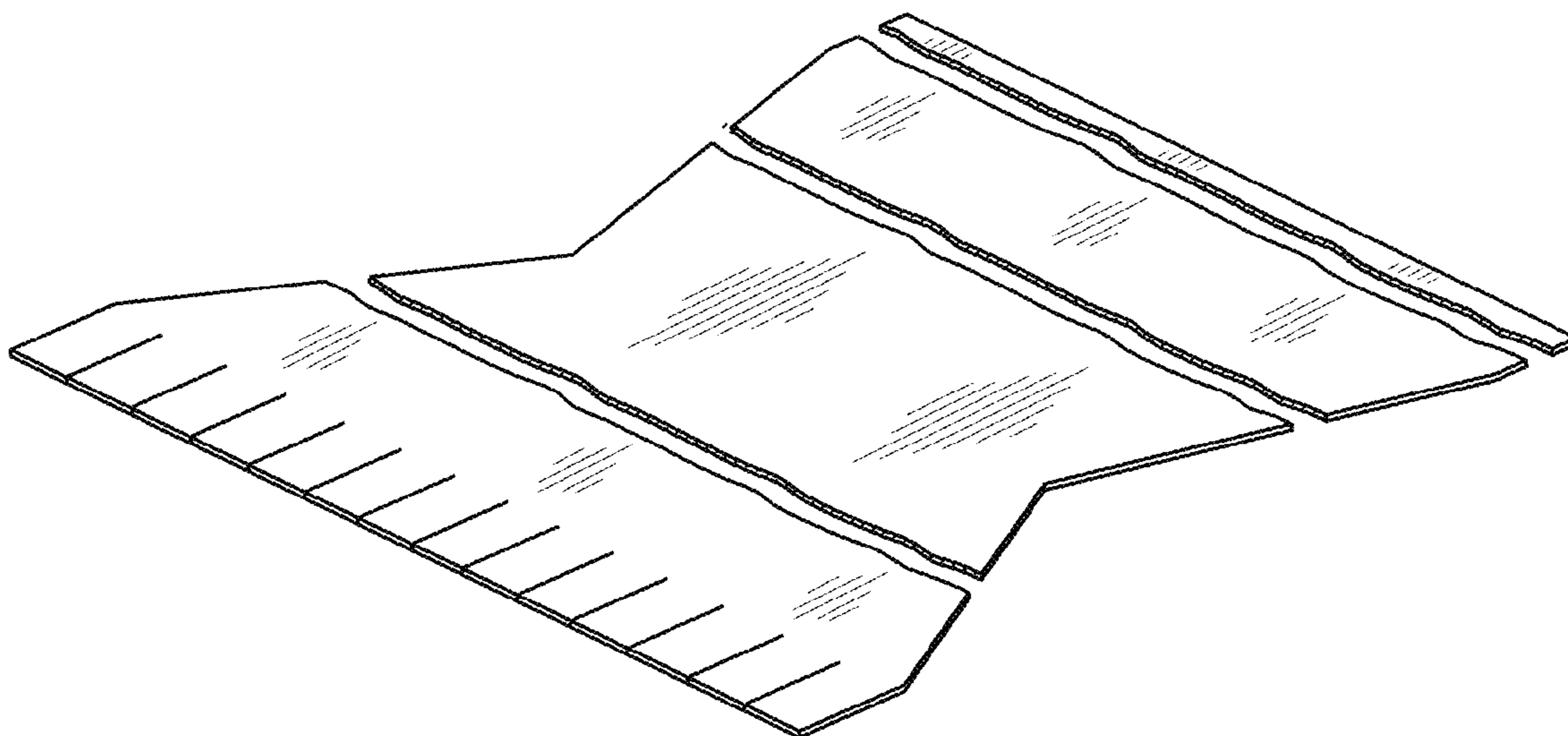
(57) **CLAIM**

The ornamental design for a car wash curtain, as shown and described.

DESCRIPTION

FIG. 1 is a perspective view showing the front and two sides of the car wash curtain; and, FIG. 2 is a front elevation view of the car wash curtain of FIG. 1 (the rear is a mirror image of the front). The car wash curtain is shown with symbolic breaks in its length. The appearance of any portion of the article between the break lines forms no part of the claimed design.

1 Claim, 1 Drawing Sheet



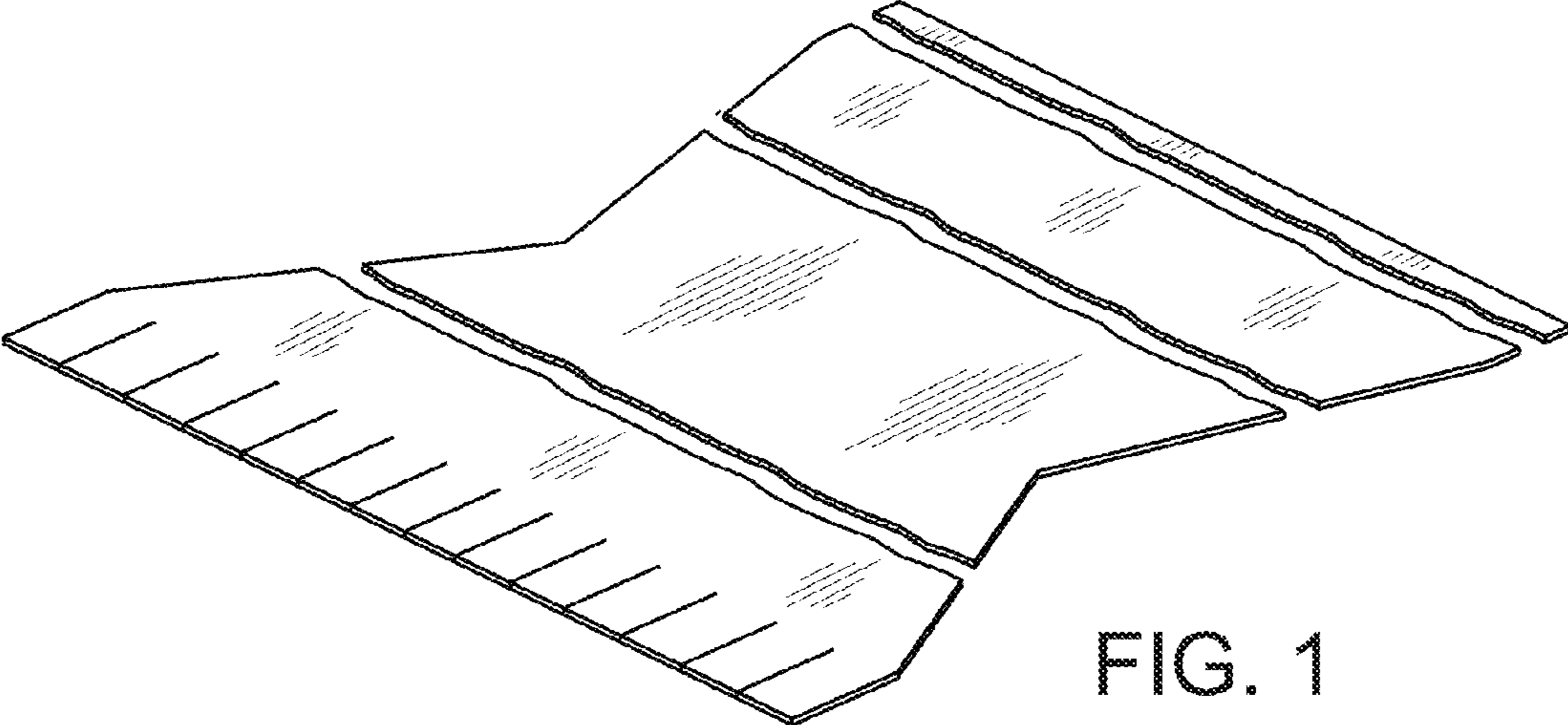


FIG. 1

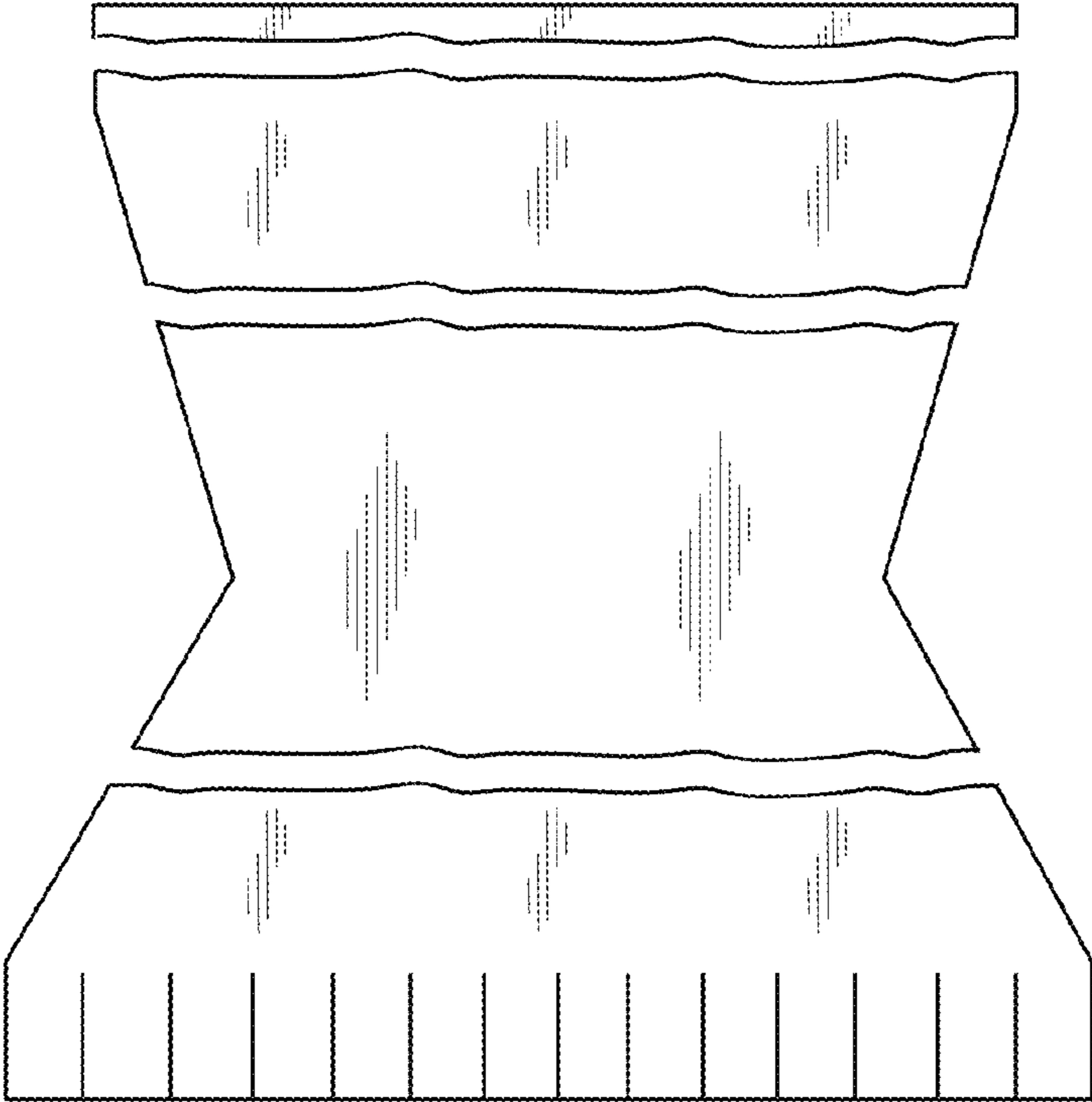


FIG. 2