



US00D707403S

(12) **United States Design Patent**
Halliday

(10) **Patent No.:** **US D707,403 S**
(45) **Date of Patent:** **** Jun. 17, 2014**

(54) **DOG TOILET**

(71) Applicant: **Jeni Ellis Halliday**, Houston, TX (US)

(72) Inventor: **Jeni Ellis Halliday**, Houston, TX (US)

(**) Term: **14 Years**

(21) Appl. No.: **29/453,146**

(22) Filed: **Apr. 25, 2013**

(51) **LOC (10) Cl.** **30-99**

(52) **U.S. Cl.**
USPC **D30/161**

(58) **Field of Classification Search**
USPC D30/161; 119/161, 163, 165, 167-170
See application file for complete search history.

(56) **References Cited**

U.S. PATENT DOCUMENTS

2,469,784	A *	5/1949	Quinn	119/161
3,324,828	A *	6/1967	Johnson	119/161
3,817,213	A *	6/1974	Chalmers	119/161
3,822,671	A *	7/1974	Rosenberg	119/161

D232,565	S *	8/1974	Rosenberg	D30/161
D237,392	S *	10/1975	Freeborn	D30/161
D250,051	S *	10/1978	Spinks	D30/161
D307,201	S *	4/1990	Gold	D30/161
6,129,050	A *	10/2000	Carbajal	119/165

* cited by examiner

Primary Examiner — Cathy A MacCormac

(74) *Attorney, Agent, or Firm* — Tarter Krinsky & Drogin LLP

(57) **CLAIM**

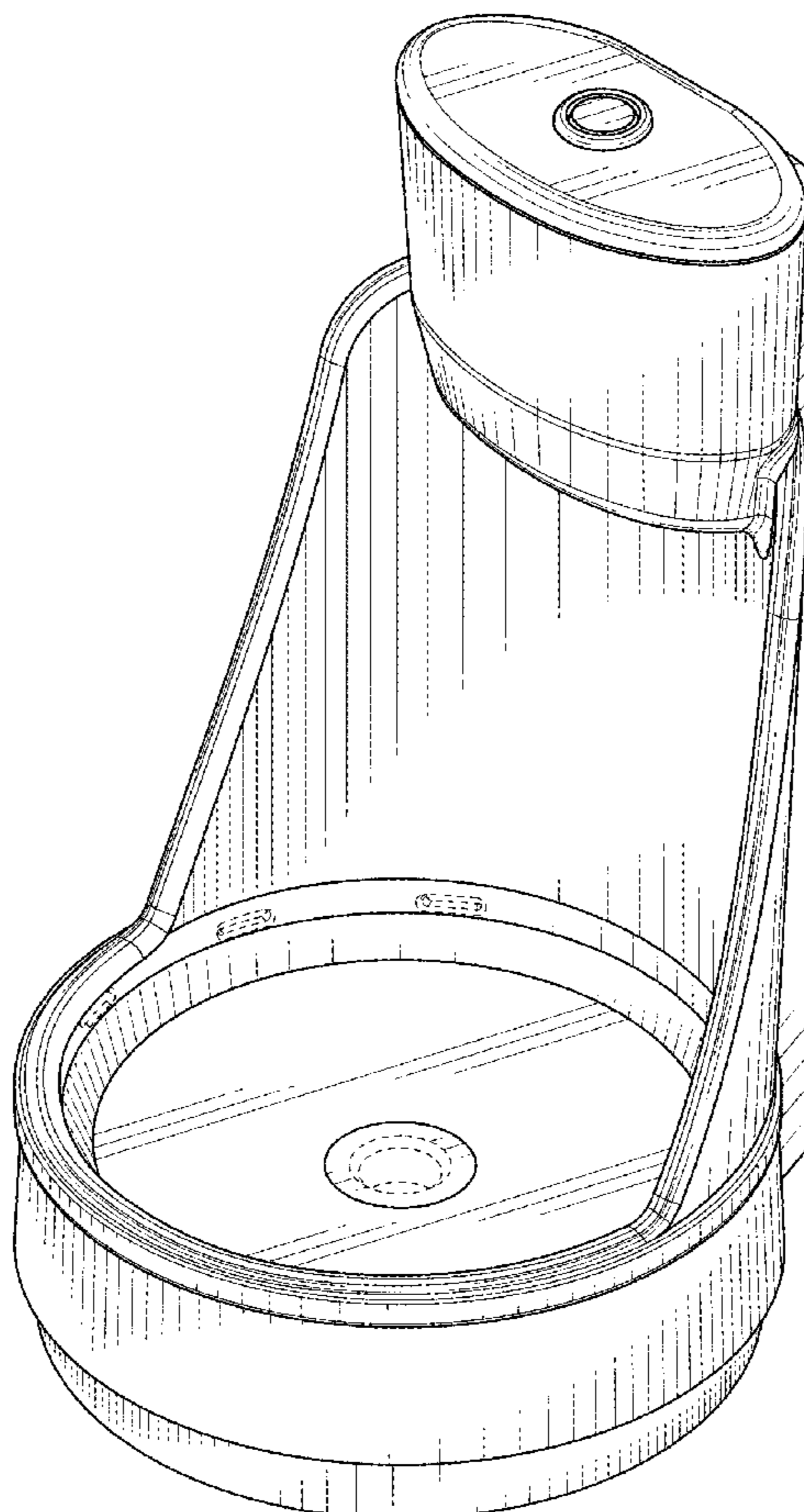
The ornamental design for a dog toilet, as shown and described.

DESCRIPTION

FIG. 1 is a perspective view of an embodiment of a dog toilet;
FIG. 2 is a front view thereof;
FIG. 3 is a rear view thereof;
FIG. 4 is a top view thereof; and,
FIG. 5 is a right side view thereof.

The broken lines shown in the drawings are for illustrative purposes only and form no part of the claimed design.

1 Claim, 5 Drawing Sheets



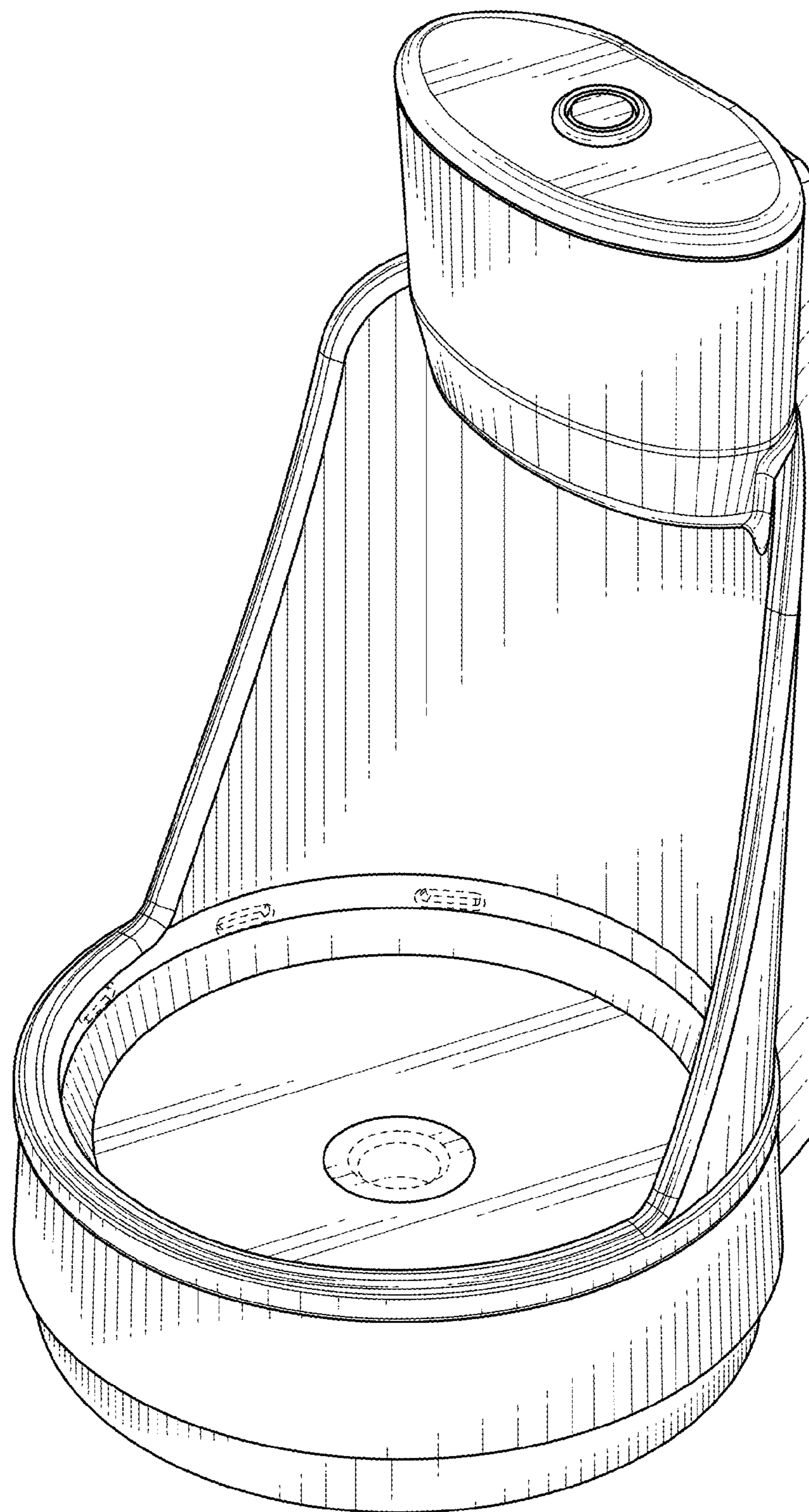


FIG. 1

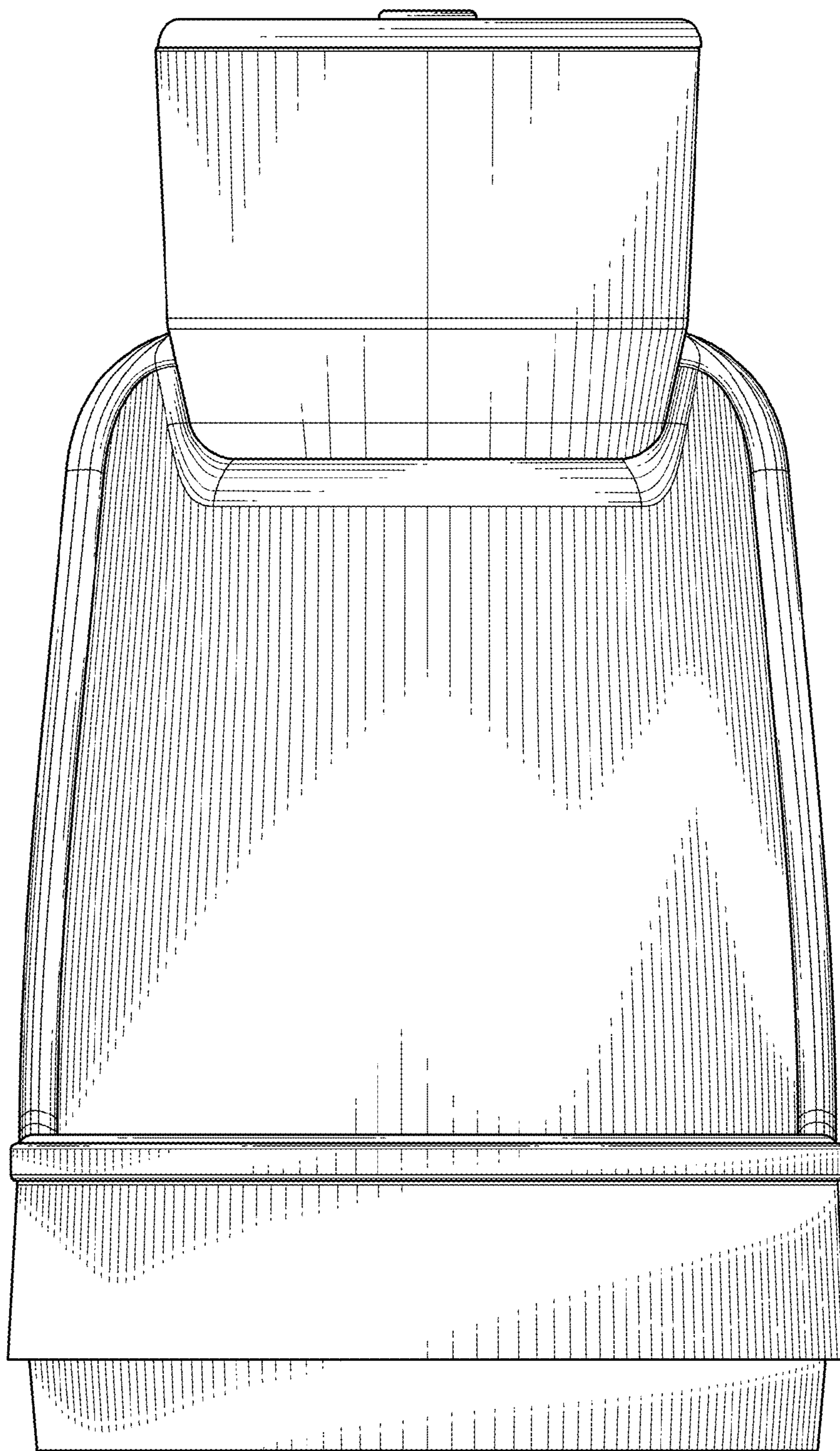


FIG. 2

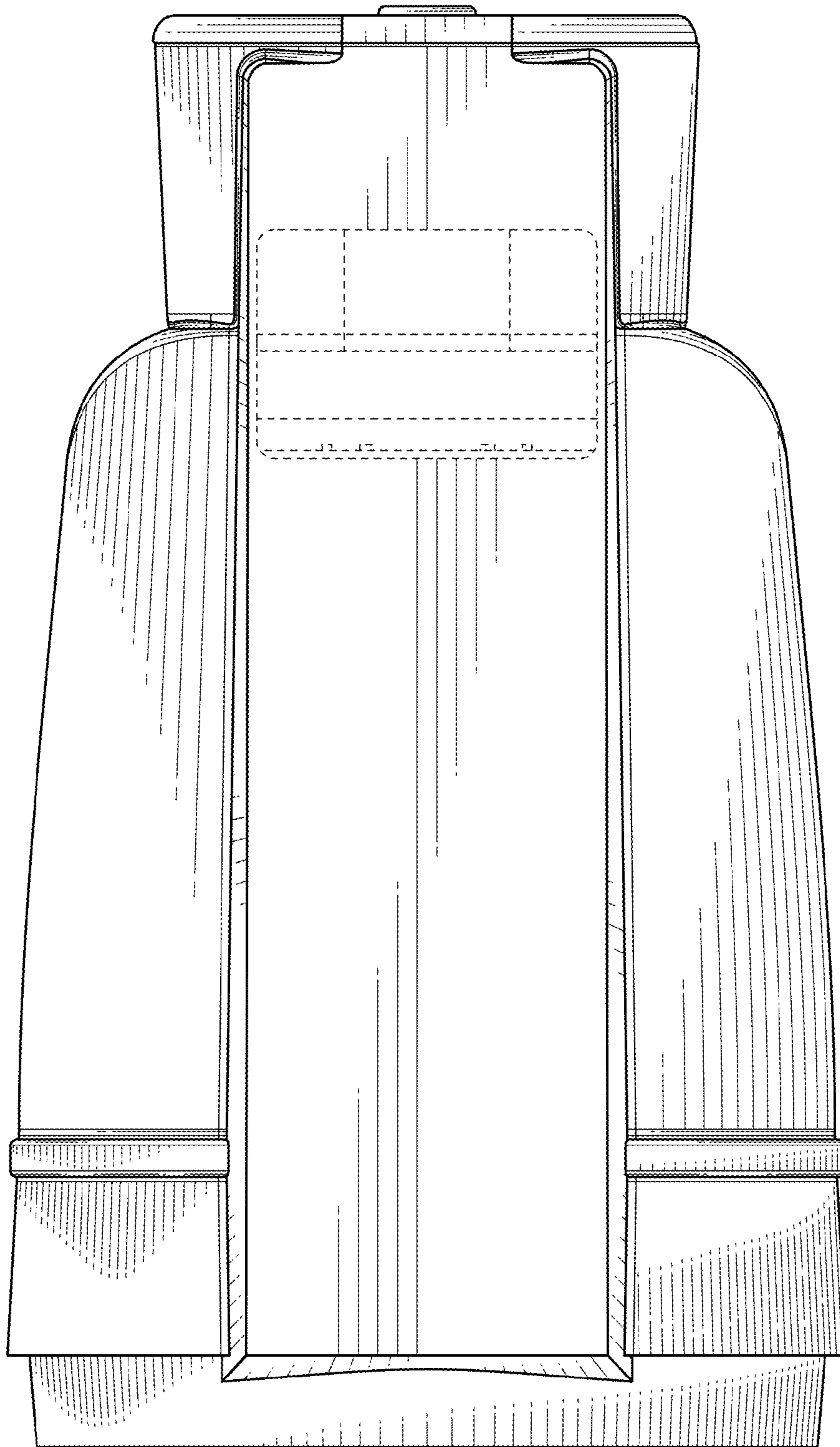


FIG. 3

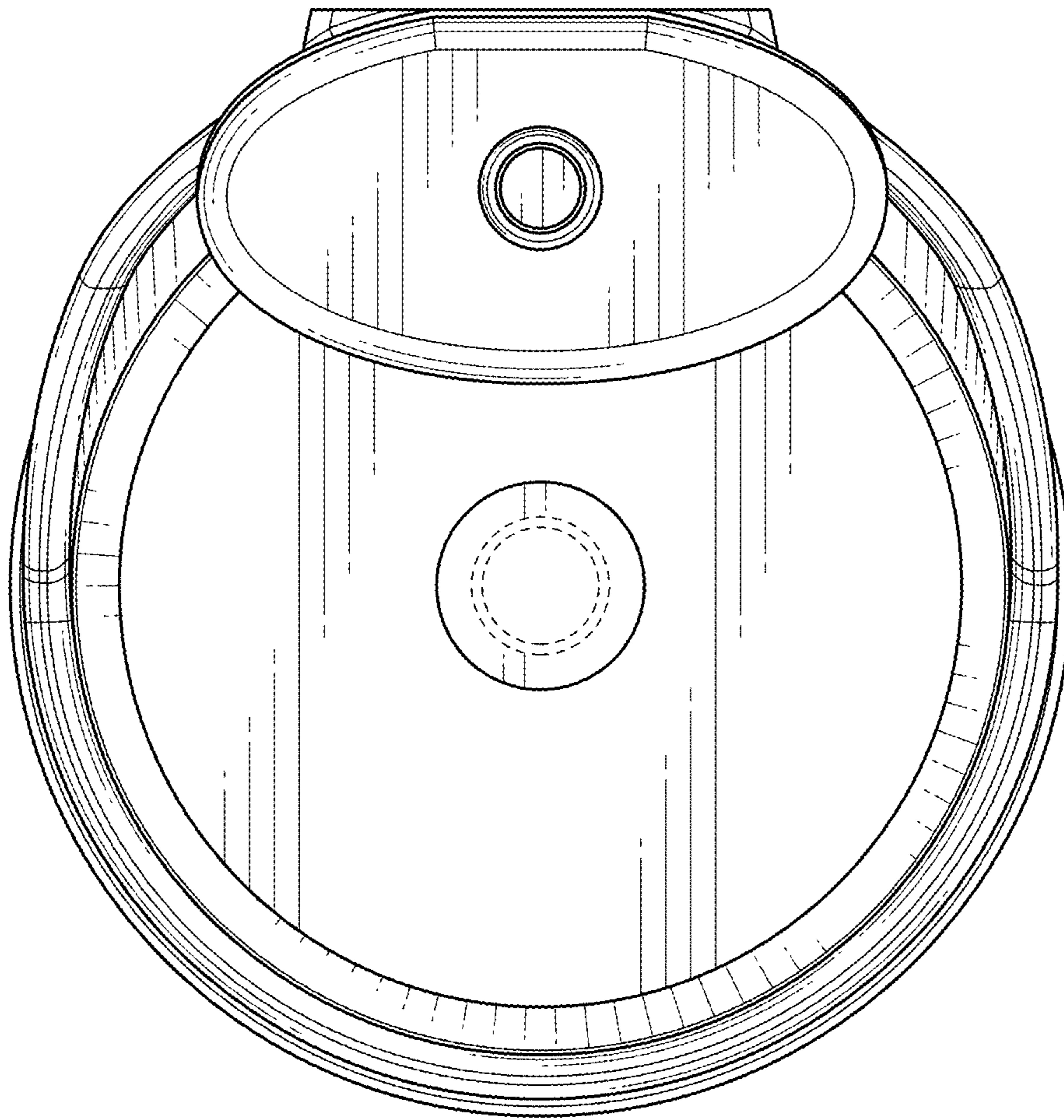


FIG. 4

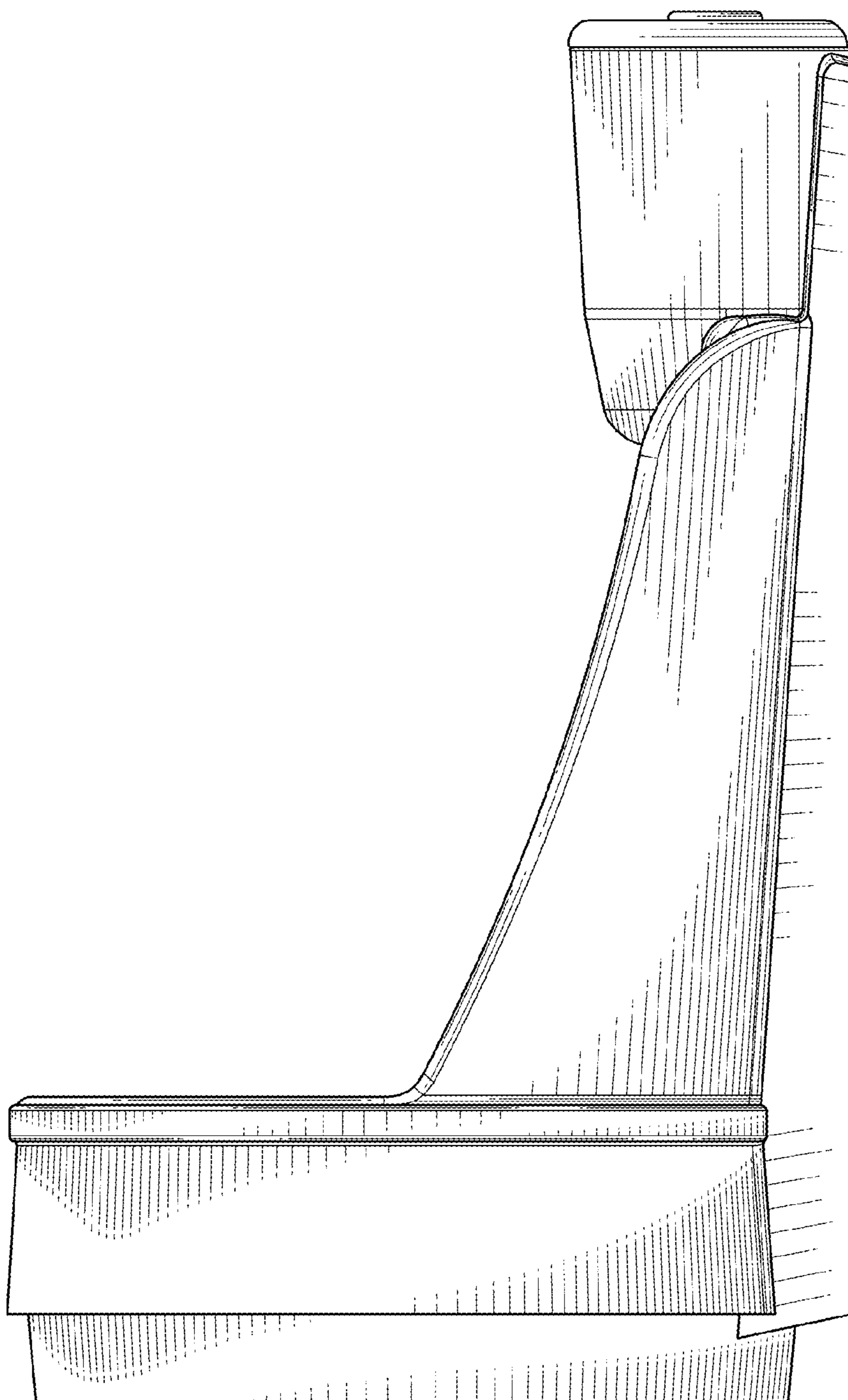


FIG. 5