



US00D707402S

(12) **United States Design Patent**  
**Halderman**

(10) **Patent No.:** **US D707,402 S**

(45) **Date of Patent:** **\*\* Jun. 17, 2014**

(54) **ANIMAL FEED CONTAINER FOR MOUNTING ON A WIRE PANEL FENCE**

(76) Inventor: **G. Alan Halderman**, New Paris, OH (US)

(\*\*) Term: **14 Years**

(21) Appl. No.: **29/395,529**

(22) Filed: **Feb. 10, 2012**

(51) **LOC (10) Cl.** ..... **30-03**

(52) **U.S. Cl.**

USPC ..... **D30/131; D30/121**

(58) **Field of Classification Search**

USPC ..... D30/133, 121, 122, 124, 127, 128, 132; 119/51.01, 61, 51.04, 53, 57.91, 54, 119/53.5, 52.4, 51.11, 63, 61.2, 52.1, 57.5, 119/57.6, 51.13, 62, 75, 500, 501; 239/7, 239/687, 379, 397.5; 222/199, 181.1, 222/181.2, 185.1, 557, 156, 485, 486, 548, 222/555; 220/200, 227, 247, 262; 221/174, 221/185.1, 289, 295, 296, 559; 454/35; 209/270, 283, 244; 52/194, 192; 49/279, 344, 357; D34/28

See application file for complete search history.

(56) **References Cited**

**U.S. PATENT DOCUMENTS**

23,386	A *	3/1859	Packer	119/58
487,003	A *	11/1892	Doolan	119/61.3
534,957	A *	2/1895	Ingraham	220/62
591,792	A *	10/1897	Stitzer	119/412
958,558	A *	5/1910	Stiggleman	119/61.4
1,032,747	A *	7/1912	Evans	119/522
1,037,054	A *	8/1912	Rose	119/61.4
1,102,371	A *	7/1914	Warren	119/61.4
1,216,203	A *	2/1917	Bower	119/60
1,259,790	A *	3/1918	Shirley	119/61.4
1,755,337	A *	4/1930	Schettl	119/61.4
1,790,385	A *	1/1931	Lorcher	119/61.4

1,798,984	A *	3/1931	Petersen	119/61.1
1,881,065	A *	10/1932	Shirley	119/61.4
2,365,498	A *	12/1944	Specketer	119/61.1
2,660,981	A *	12/1953	Jorenby	119/61.4
2,675,782	A *	4/1954	Lage	119/61.1
2,713,321	A *	7/1955	Keen	119/672
2,827,876	A *	3/1958	Trobaugh	119/52.4
D185,650	S *	7/1959	Voorhees et al.	D30/132
3,180,319	A *	4/1965	France et al.	119/61.1
D207,166	S *	3/1967	Noble	D30/132
3,361,116	A *	1/1968	Daniel et al.	119/63
3,418,974	A *	12/1968	Reeves	119/477
4,258,665	A *	3/1981	Coots	119/61.31
4,401,056	A *	8/1983	Cody et al.	119/477
4,432,304	A *	2/1984	Johnsson	119/477
4,457,264	A *	7/1984	Maier	119/58
4,505,227	A *	3/1985	Hartke et al.	119/52.1
4,771,735	A *	9/1988	Larsen	119/62
4,784,084	A *	11/1988	Kohguchi et al.	119/475
4,798,170	A *	1/1989	DePiazzy	119/61.57
4,869,385	A *	9/1989	Blinsinger	220/4.01
4,915,060	A *	4/1990	Kling et al.	119/61.4
4,942,845	A *	7/1990	Lane	119/52.2

(Continued)

*Primary Examiner* — Susan Moon Lee

(74) *Attorney, Agent, or Firm* — Jacox, Mechstroth & Jenkins

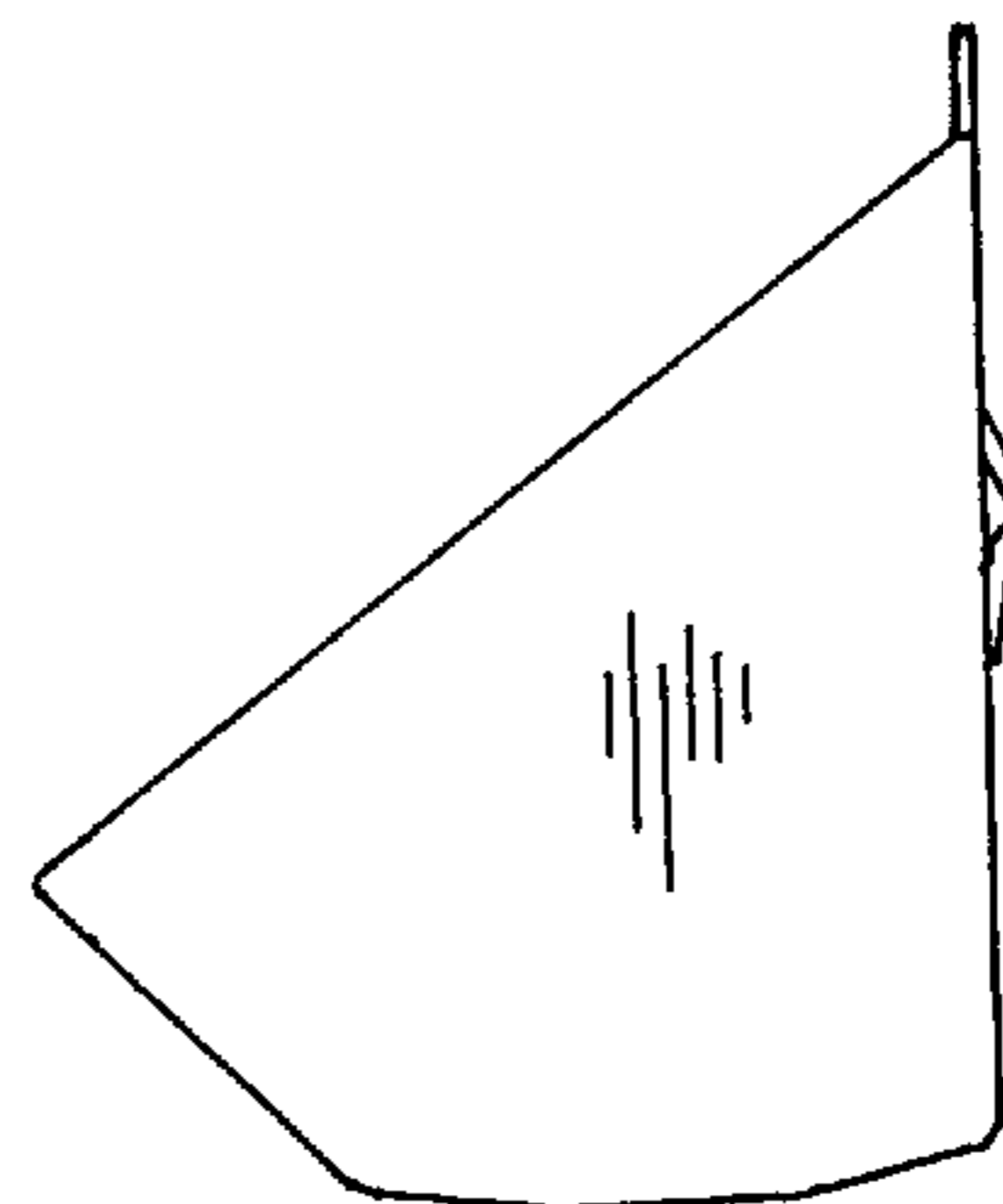
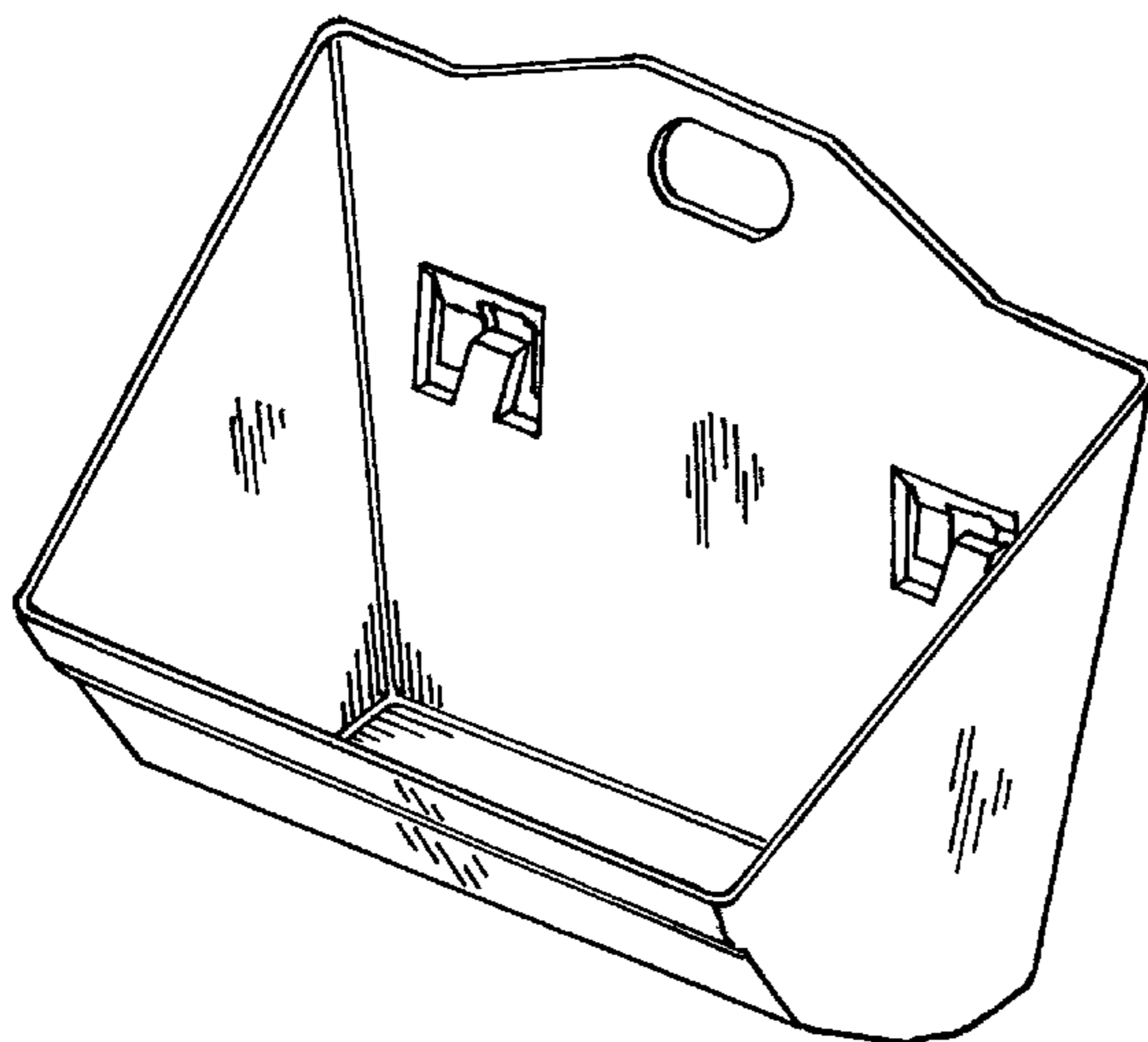
(57) **CLAIM**

The ornamental design of an animal feed container for mounting on a wire panel fence, as shown and described.

**DESCRIPTION**

FIG. 1 is a perspective view of an animal feed container for mounting on a wire panel fence showing my new design; FIG. 2 is a front view thereof; FIG. 3 is a side view thereof; the opposite side view being a mirror image; FIG. 4 is a rear view; FIG. 5 is a top view thereof; and, FIG. 6 is a bottom view thereof.

**1 Claim, 2 Drawing Sheets**



(56)

References Cited

U.S. PATENT DOCUMENTS

D311,612 S *	10/1990	Fuller .....	D30/131	6,209,489 B1 *	4/2001	Akins .....	119/61.4
4,995,337 A *	2/1991	Abrams et al. ....	119/477	6,499,249 B1 *	12/2002	Luijkx .....	47/41.01
D330,099 S *	10/1992	Sutherland .....	D30/132	6,526,911 B2 *	3/2003	Louden .....	119/51.01
5,188,060 A *	2/1993	Johnson .....	119/58	6,604,488 B2 *	8/2003	Heinzeroth et al. ....	119/61.57
D337,862 S *	7/1993	Leopold .....	D30/121	6,606,962 B2 *	8/2003	Elliott .....	119/62
5,305,902 A *	4/1994	Vozick .....	220/23.4	6,945,468 B1 *	9/2005	Rodriguez et al. ....	239/17
D363,916 S *	11/1995	Johnson .....	D12/415	7,036,455 B2 *	5/2006	Loewe .....	119/53
D379,683 S *	6/1997	Deitrich et al. ....	D30/119	7,320,295 B2 *	1/2008	Ehrreich .....	119/485
5,694,885 A *	12/1997	Deitrich et al. ....	119/477	7,467,599 B2 *	12/2008	Jensen et al. ....	119/61.1
D392,777 S *	3/1998	Scribner .....	D30/131	D589,728 S *	4/2009	Shaha et al. ....	D6/510
D397,526 S *	8/1998	Sheaffer .....	D30/119	7,513,219 B2 *	4/2009	Louden .....	119/477
6,082,573 A *	7/2000	Hofman et al. ....	220/480	7,681,525 B1 *	3/2010	Trulove .....	119/61.1
D438,010 S *	2/2001	Drury et al. ....	D3/307	7,789,041 B1 *	9/2010	Taylor .....	119/61.5
6,199,510 B1 *	3/2001	Louden .....	119/51.01	7,975,653 B2 *	7/2011	Cash .....	119/467
				8,413,607 B2 *	4/2013	Gamez .....	119/74
				2007/0022963 A1 *	2/2007	Jensen et al. ....	119/61.1
				2007/0137585 A1 *	6/2007	Rausch et al. ....	119/53

\* cited by examiner

FIG. 1

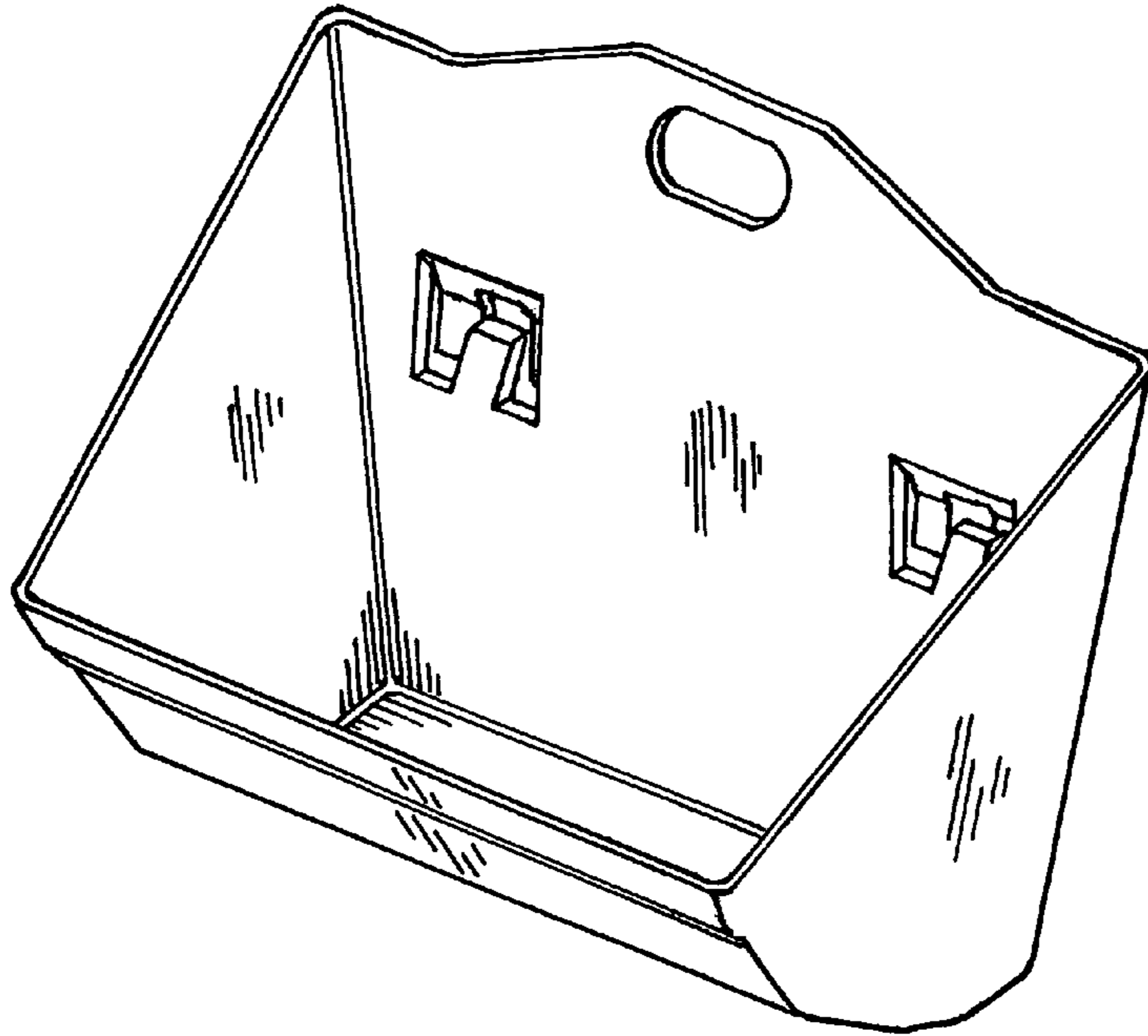


FIG. 2

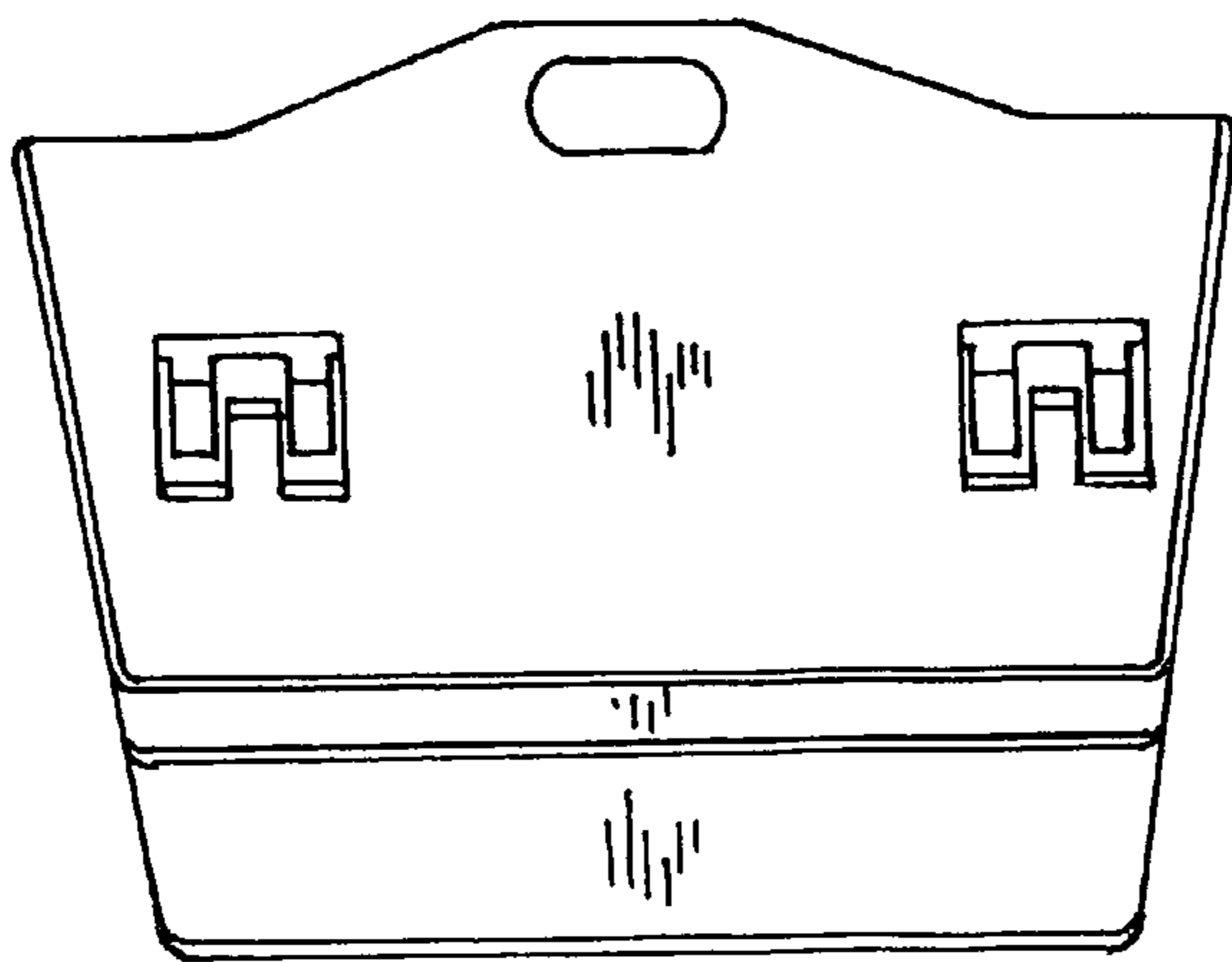


FIG. 3

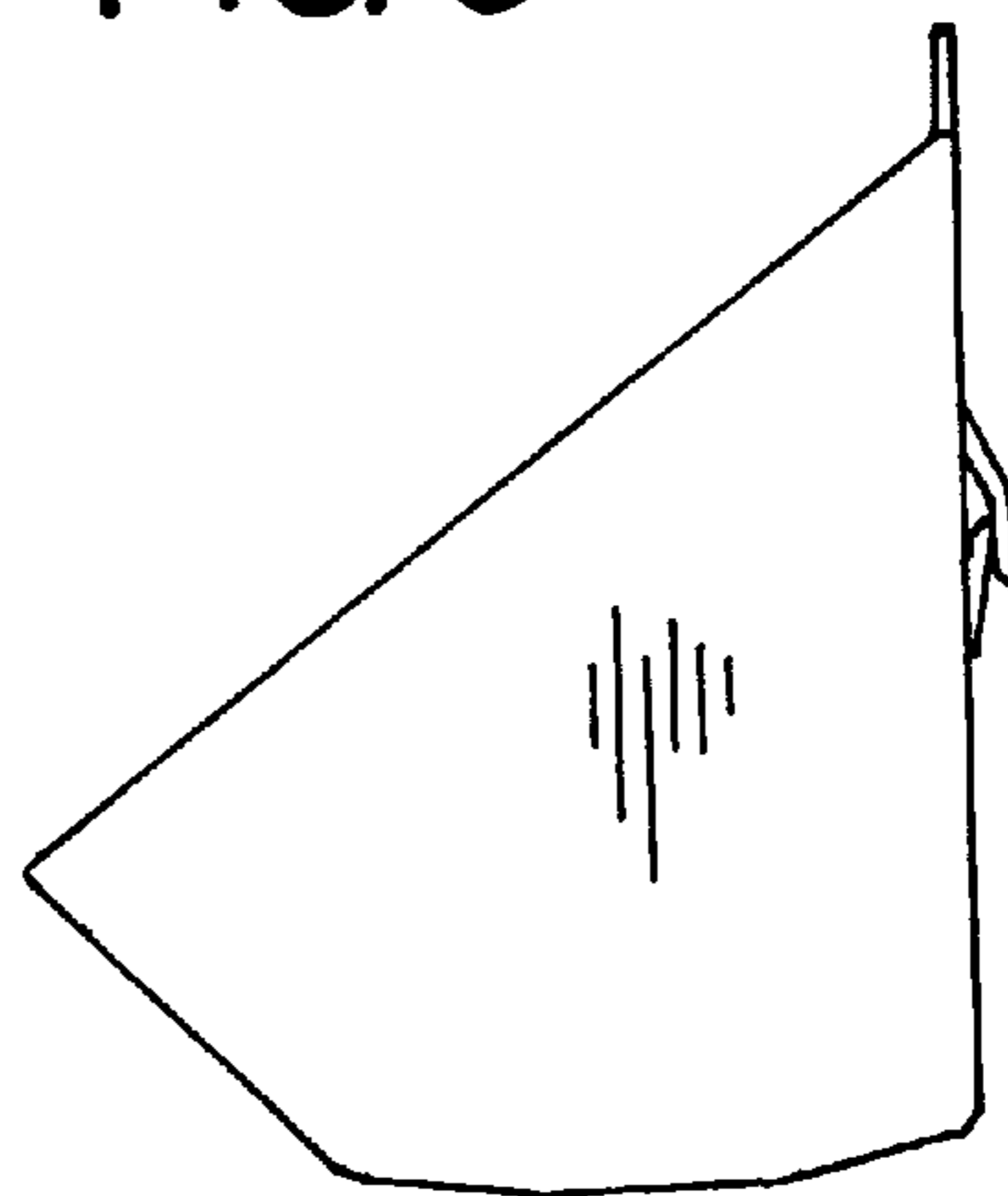


FIG. 4

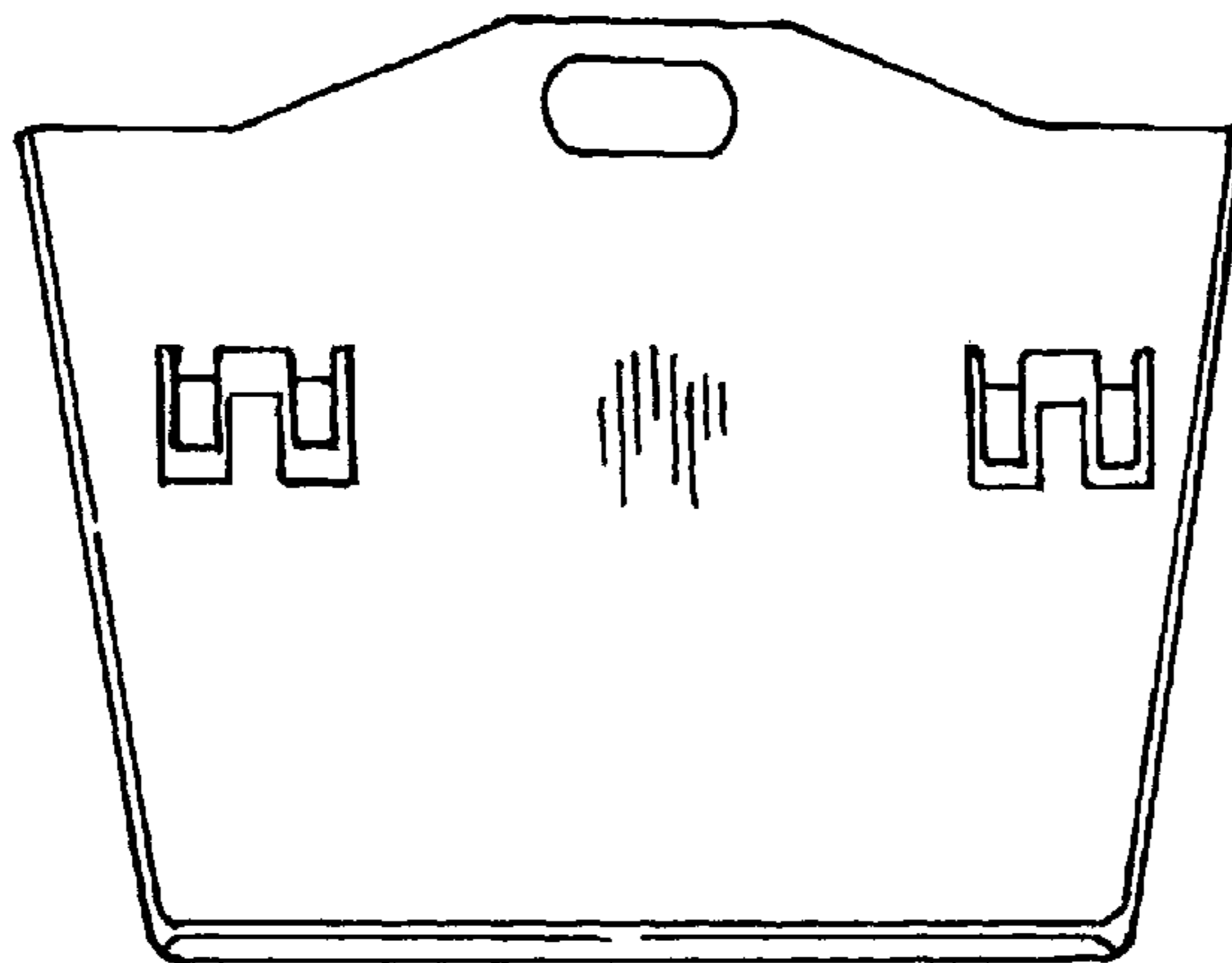


FIG. 5

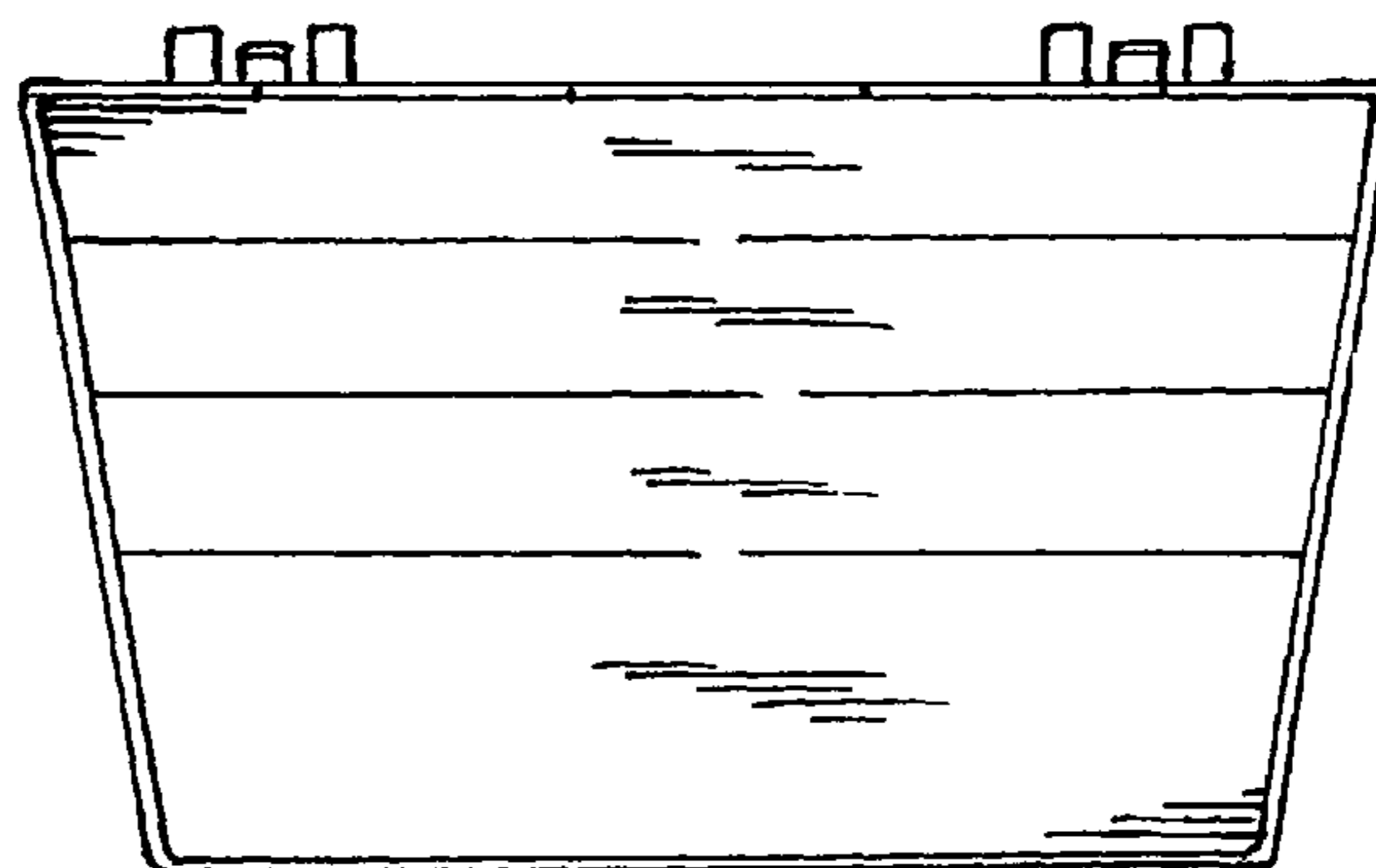


FIG. 6

