



US00D707395S

(12) **United States Design Patent**
Courtney

(10) **Patent No.:** **US D707,395 S**
(45) **Date of Patent:** **** Jun. 17, 2014**

(54) **PART OF A HAND DRYER**
(71) Applicant: **Dyson Technology Limited**, Wiltshire
(GB)
(72) Inventor: **Stephen Benjamin Courtney**,
Malmesbury (GB)
(73) Assignee: **Dyson Technology Limited**,
Malmesbury (GB)

4,914,273 A * 4/1990 Matsui 219/222
D394,917 S * 6/1998 Bloom D28/58
6,769,197 B1 * 8/2004 Tai 34/90
6,842,581 B2 * 1/2005 Schafer 392/380
D669,222 S * 10/2012 Dyson et al. D28/54.1
D678,613 S * 3/2013 Dyson et al. D28/54.1
D679,055 S * 3/2013 Dyson et al. D28/54.1
D682,472 S * 5/2013 Dyson et al. D28/54.1

* cited by examiner

(**) Term: **14 Years**

Primary Examiner — Zenia Bennett

(21) Appl. No.: **29/462,209**

(74) *Attorney, Agent, or Firm* — Morrison & Foerster LLP

(22) Filed: **Jul. 31, 2013**

(30) **Foreign Application Priority Data**

Jan. 31, 1920 (EM) 001359343-0001

(51) **LOC (10) Cl.** **28-03**

(52) **U.S. Cl.**
USPC **D28/54.1**

(58) **Field of Classification Search**
USPC D28/12, 54.1, 58; 34/266, 201, 202;
392/381, 380; D23/357, 361, 385
See application file for complete search history.

(56) **References Cited**

U.S. PATENT DOCUMENTS

4,206,556 A * 6/1980 Sabo et al. 34/90

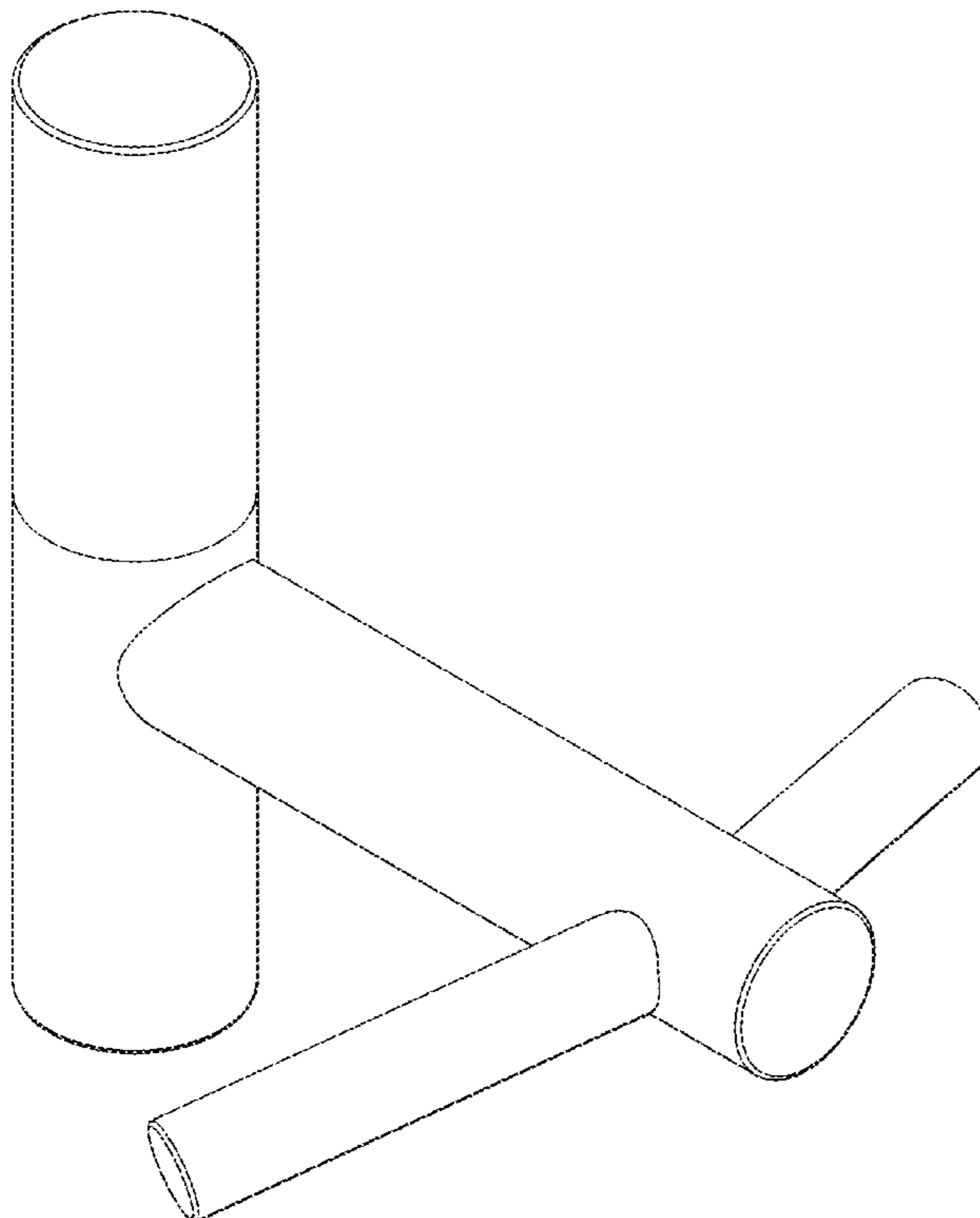
(57) **CLAIM**

We claim the ornamental design for a part of a hand dryer, as shown and described.

DESCRIPTION

FIG. 1 is a perspective view of a part of a hand dryer showing our new design;
FIG. 2 is a front view thereof;
FIG. 3 is a rear view thereof;
FIG. 4 is a side view thereof;
FIG. 5 is a side view of the opposite side of FIG. 4;
FIG. 6 is a top view thereof; and,
FIG. 7 is a bottom view thereof.

1 Claim, 7 Drawing Sheets



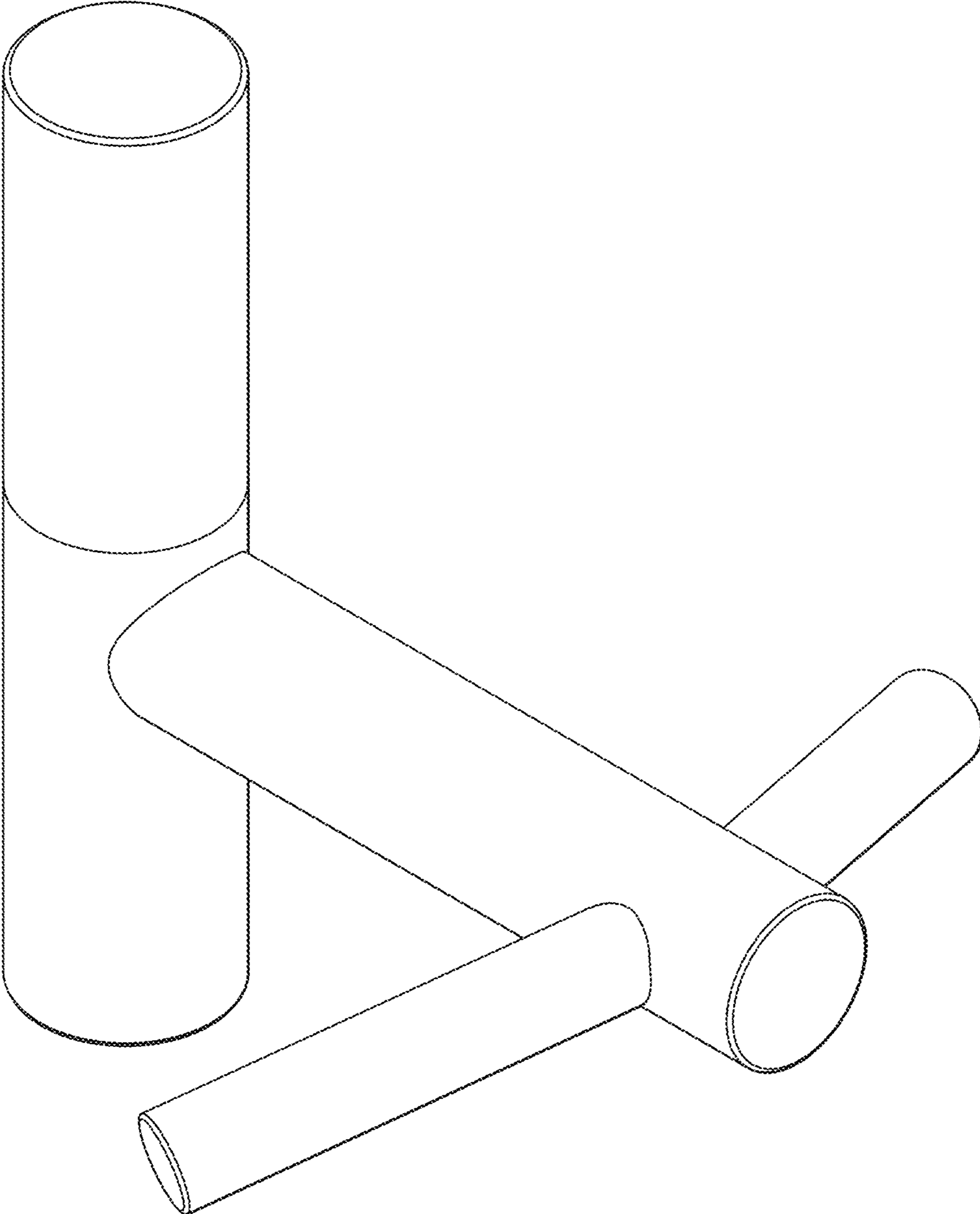


FIG. 1

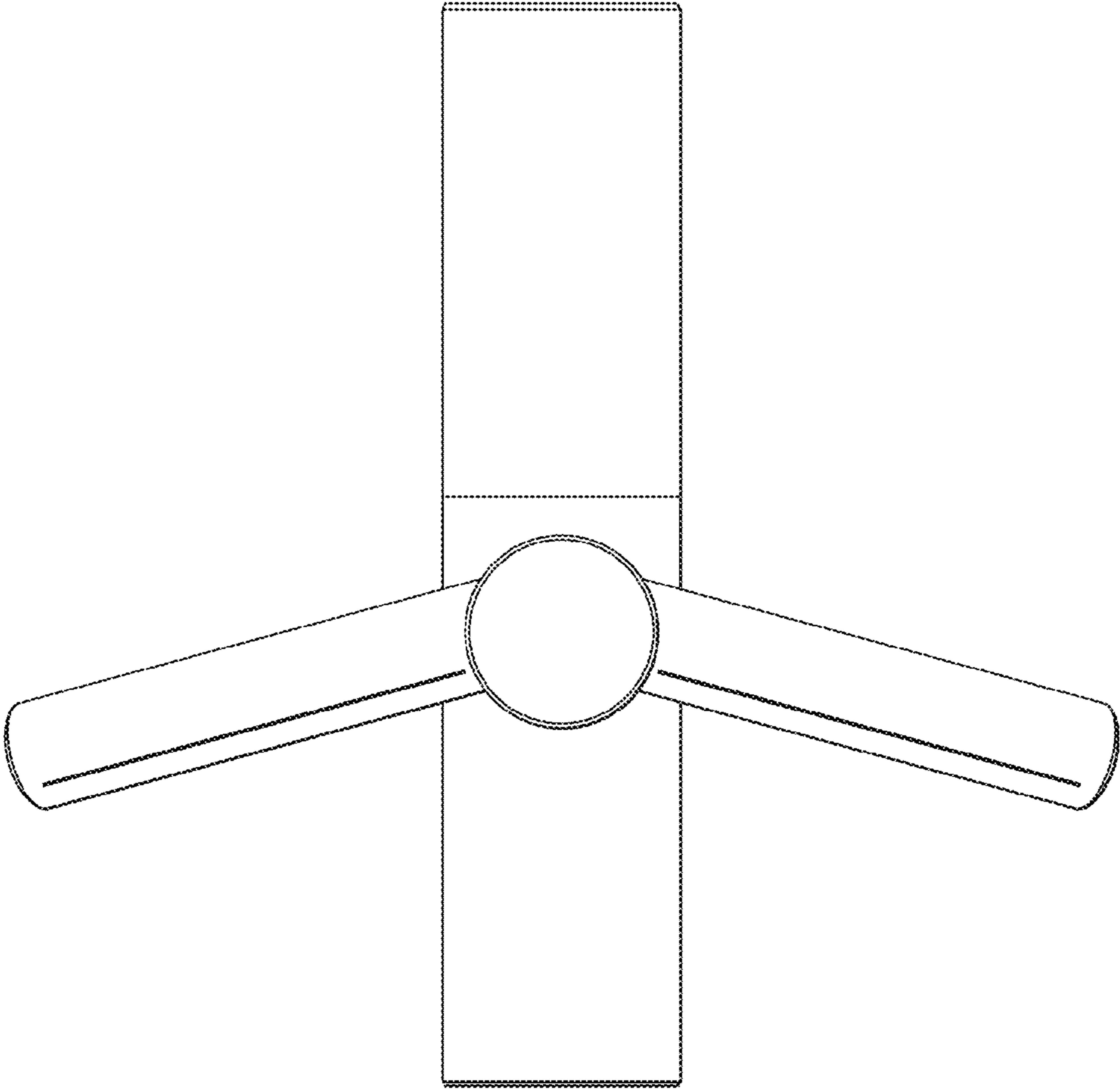


FIG. 2

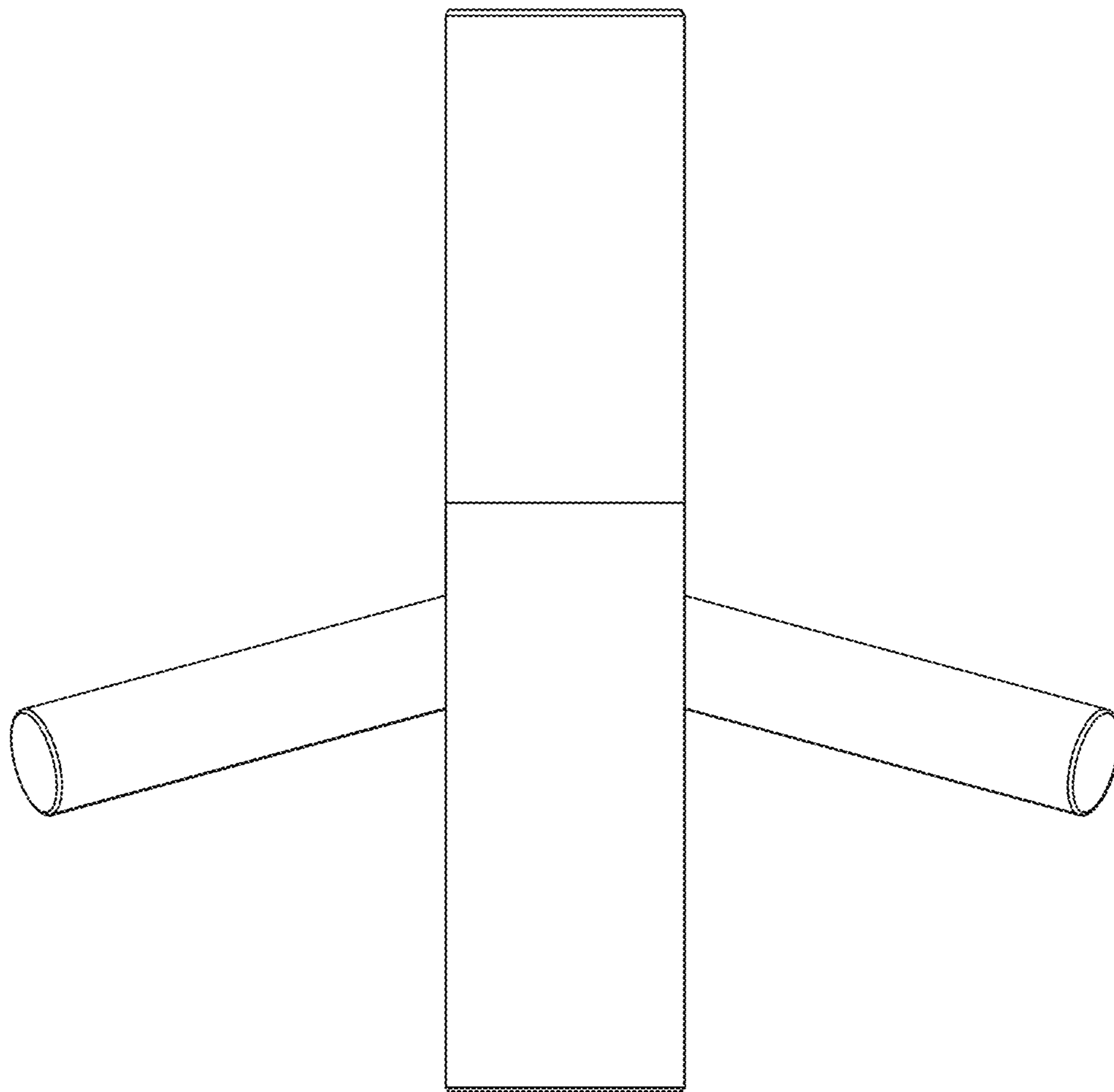


FIG. 3

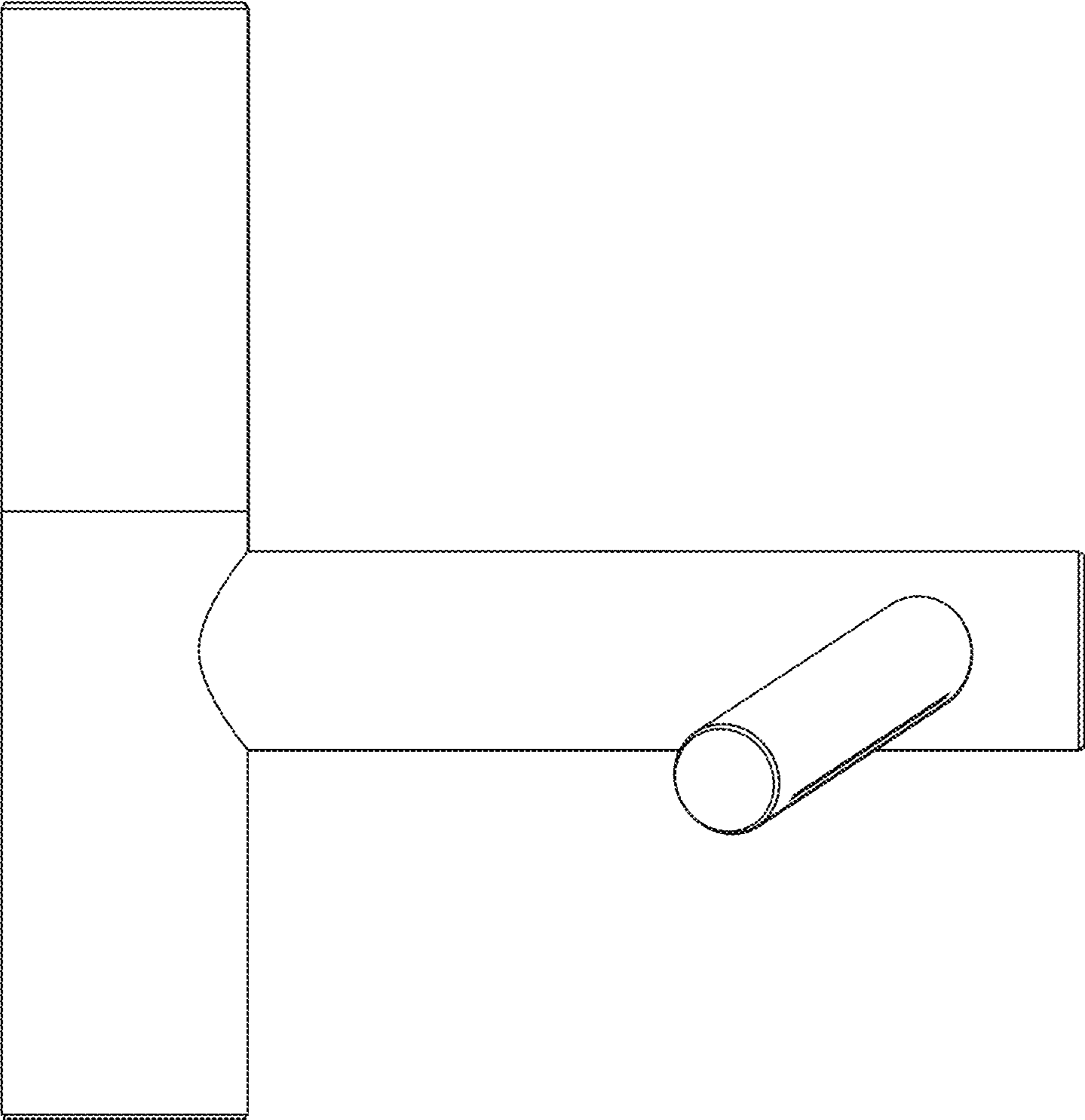


FIG. 4

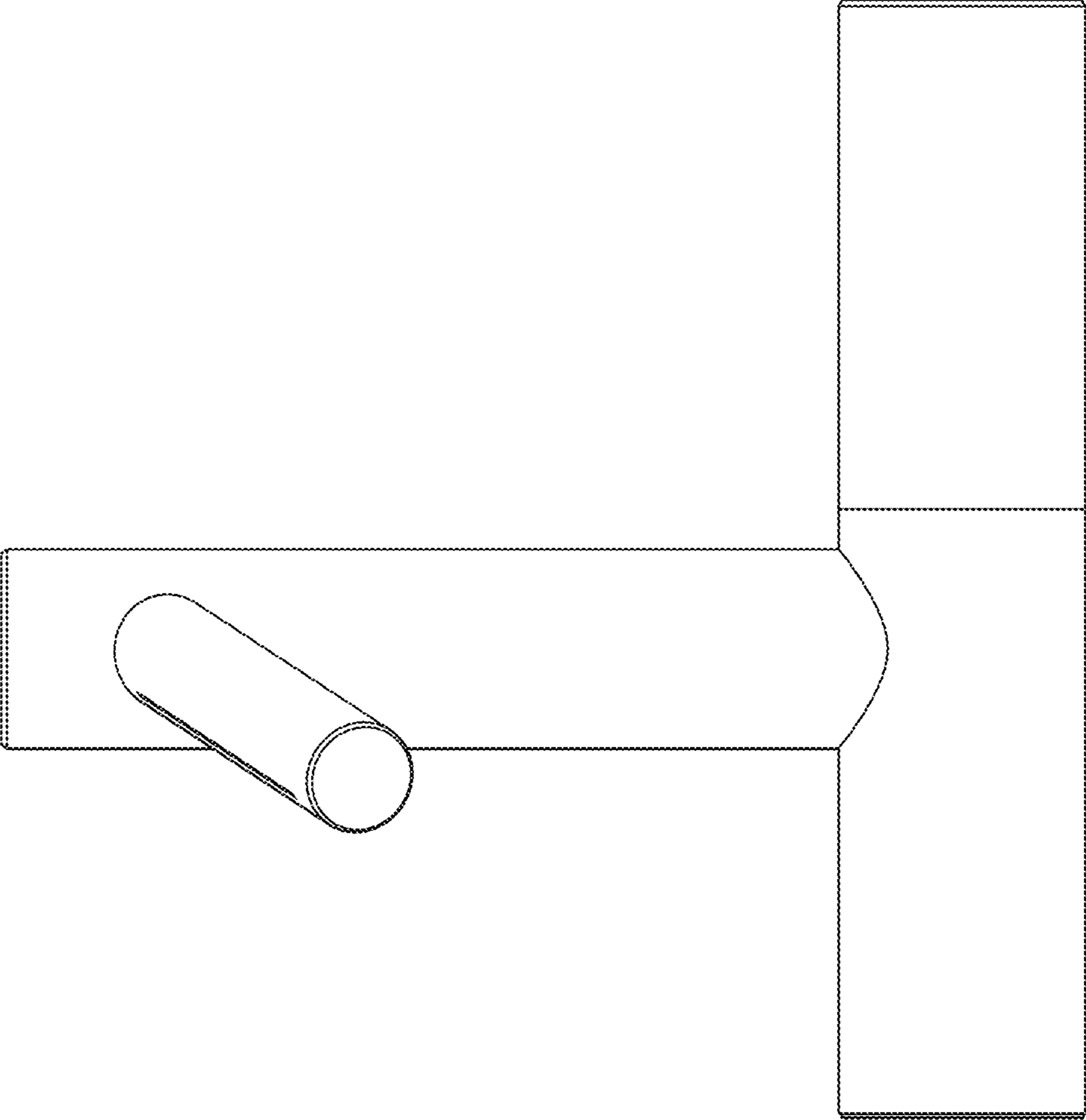


FIG. 5

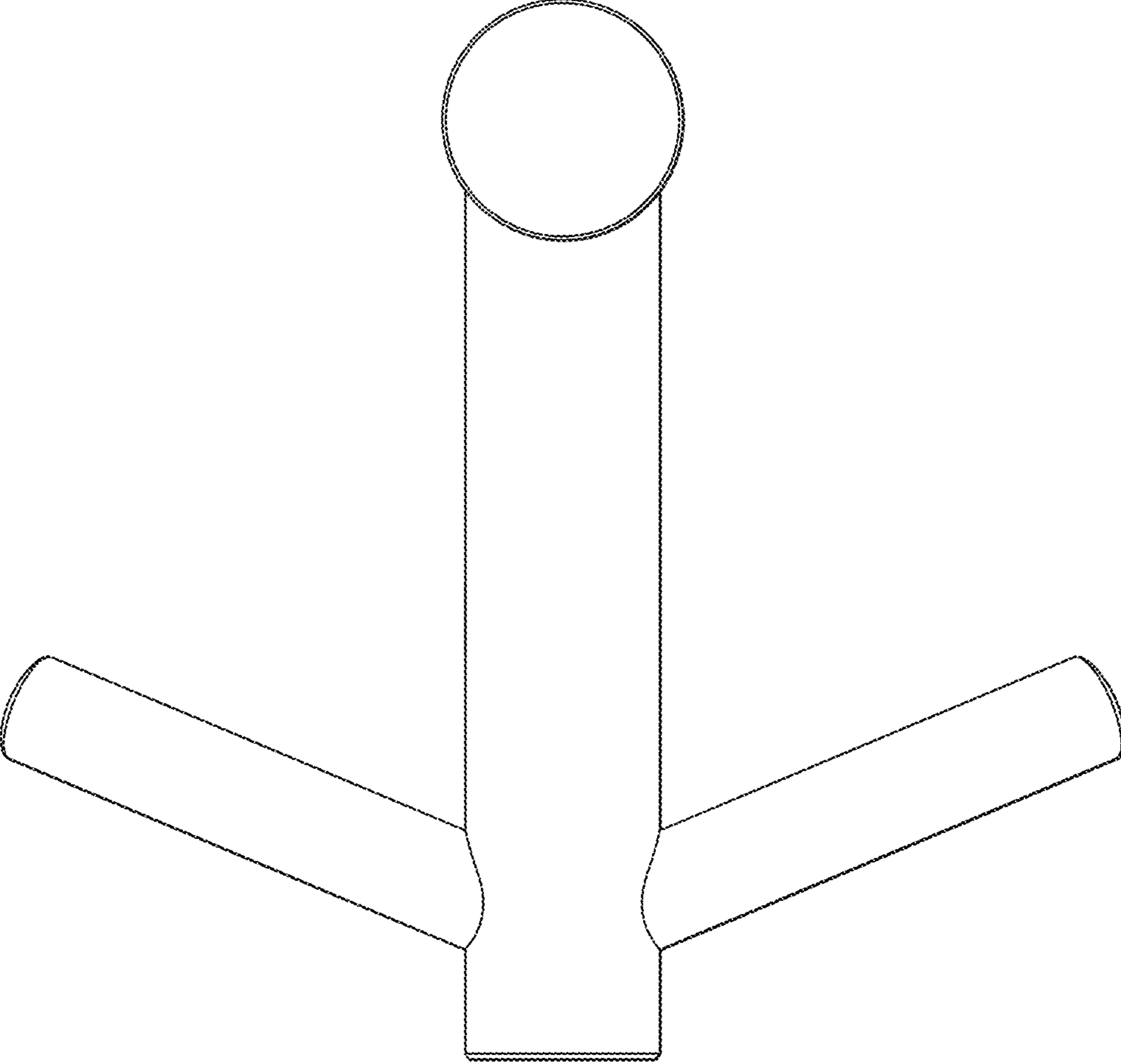


FIG. 6

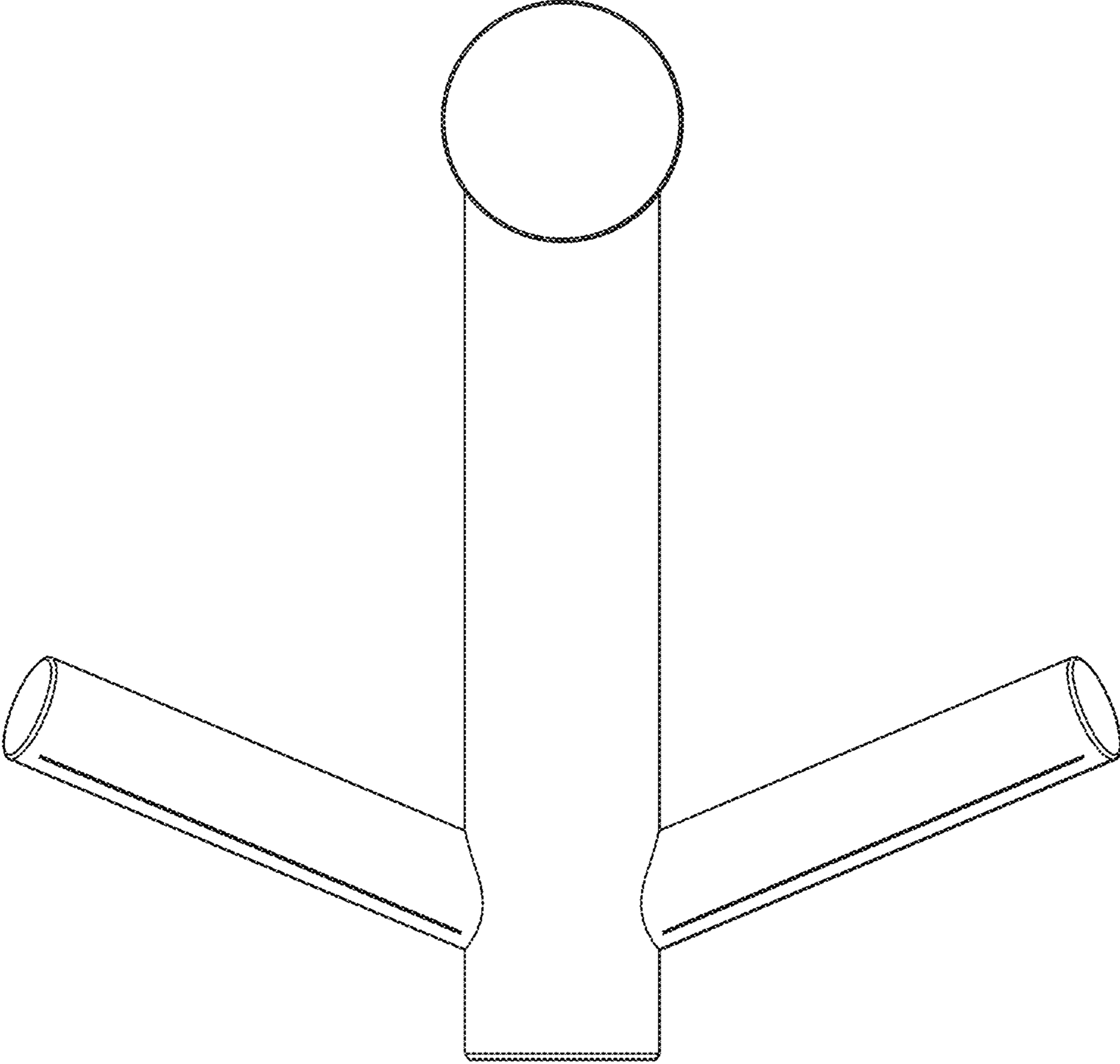


FIG. 7