



US00D707388S

(12) **United States Design Patent**  
**Park**

(10) **Patent No.:** **US D707,388 S**

(45) **Date of Patent:** **\*\* Jun. 17, 2014**

(54) **LIGHT FIXTURE ARM**

(71) Applicant: **Swarovski Lighting, Ltd.**, Plattsburg, NY (US)

(72) Inventor: **Saewoo Park**, Plattsburgh, NY (US)

(73) Assignee: **Swarovski Lighting, Ltd.**, Plattsburgh, NY (US)

(\*\*) Term: **14 Years**

(21) Appl. No.: **29/449,523**

(22) Filed: **Mar. 15, 2013**

(51) **LOC (10) Cl.** ..... **26-99**

(52) **U.S. Cl.**  
USPC ..... **D26/155**

(58) **Field of Classification Search**

CPC ..... F21S 4/001; F21S 4/005; F21S 8/00;  
F21S 8/04; F21S 8/043; F21S 8/046; F21S  
8/06-8/065; F21S 13/02; F21S 13/04; F21S  
13/06

USPC ..... D26/35, 36, 39, 51, 62, 67, 71, 72, 74,  
D26/80, 81, 83, 85, 86, 88, 89, 91, 113, 118,  
D26/119, 128, 138, 139, 140, 142, 152, 154,  
D26/155; 362/147, 148, 153, 153.1, 183,  
362/186, 300, 301, 307, 310, 347, 348, 349,  
362/350, 362, 364, 365, 366, 382, 431, 432

See application file for complete search history.

(56) **References Cited**

**U.S. PATENT DOCUMENTS**

5,144,541 A \* 9/1992 Schonbek ..... 362/457  
5,205,644 A 4/1993 Bayer et al.  
5,222,805 A 6/1993 Schonbek et al.

(Continued)

**OTHER PUBLICATIONS**

Morning Mist and Willow Tree, photograph, available online on Mar. 13, 2013, at <http://web.archive.org/web/20100210053810/http://www.picfor.me/en/viewimg/190445>, 3-pages, Feb. 10, 2010.

(Continued)

*Primary Examiner* — Deanna L Pratt

*Assistant Examiner* — Natasha Vujcic

(74) *Attorney, Agent, or Firm* — Heslin Rothenberg Farley & Mesiti P.C.

(57) **CLAIM**

The ornamental design for a light fixture arm, as shown and described.

**DESCRIPTION**

This application contains subject matter which is related to the subject matter of commonly assigned and co-filed U.S. Design patent application Ser. No. 29/449,521, entitled “Light Fixture Trim” by Saewoo Park, and commonly assigned and co-filed U.S. Utility patent application Ser. No. 13/834,271, entitled “Arrangements of Decorative Elements, Lighting Fixtures, and Methods for Providing Illumination” by Saewoo Park, which applications are hereby incorporated in their entirety herein by reference.

FIG. 1 is a perspective view of a light fixture arm in accordance with the new design;

FIG. 2 is a front elevational view thereof

FIG. 3 is a right side elevational view thereof, a left side elevational view being a mirror image thereof;

FIG. 4 is a rear elevational view thereof;

FIG. 5 is a bottom view thereof;

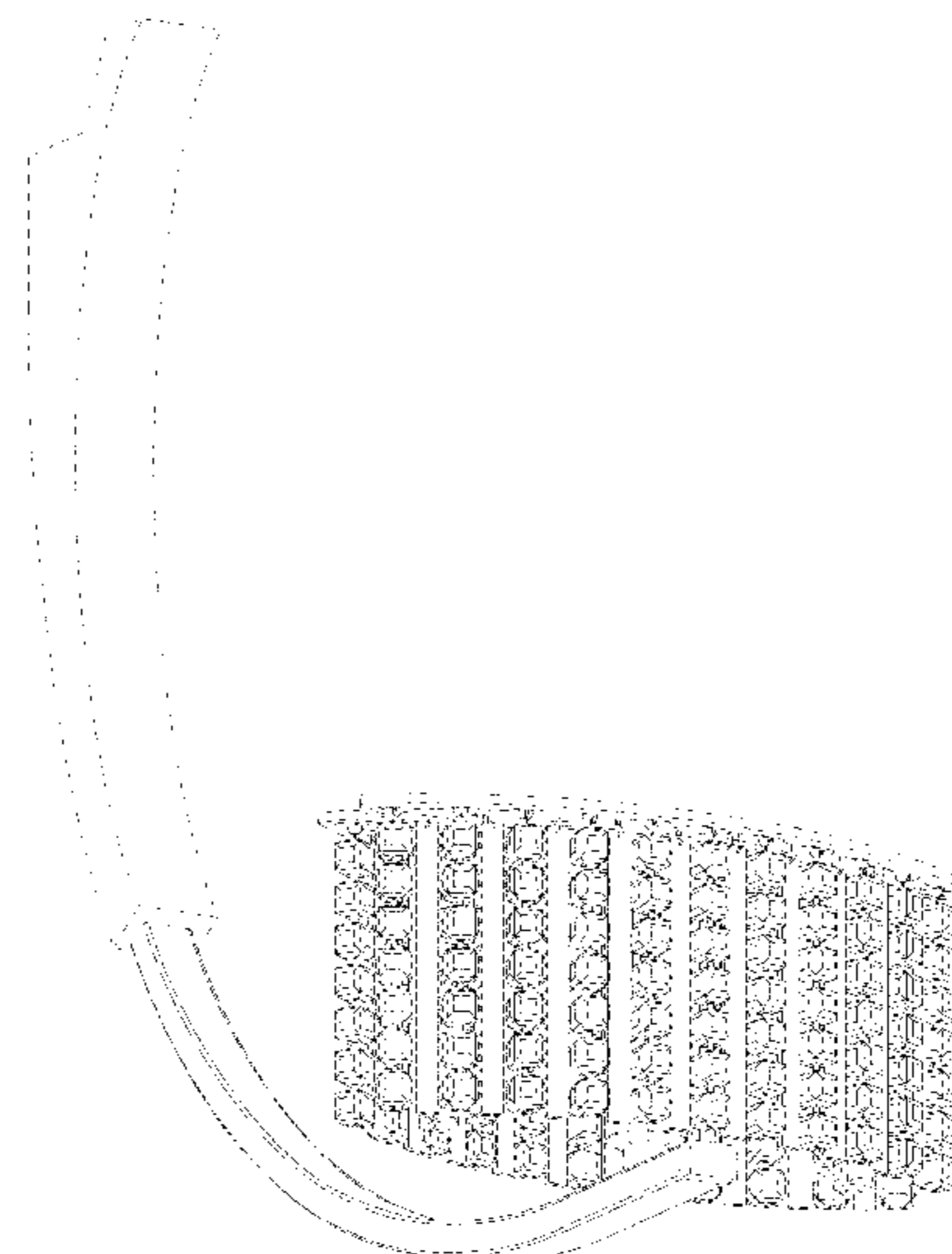
FIG. 6 is another perspective view of the light fixture arm of FIG. 1;

FIG. 7 is another perspective view of the light fixture arm of FIG. 1; and,

FIG. 8 is another perspective view of the light fixture arm of FIG. 1.

The broken lines in the drawings illustrate portions of the light fixture arm which form no part of the claimed design.

**1 Claim, 8 Drawing Sheets**



(56)

References Cited

U.S. PATENT DOCUMENTS

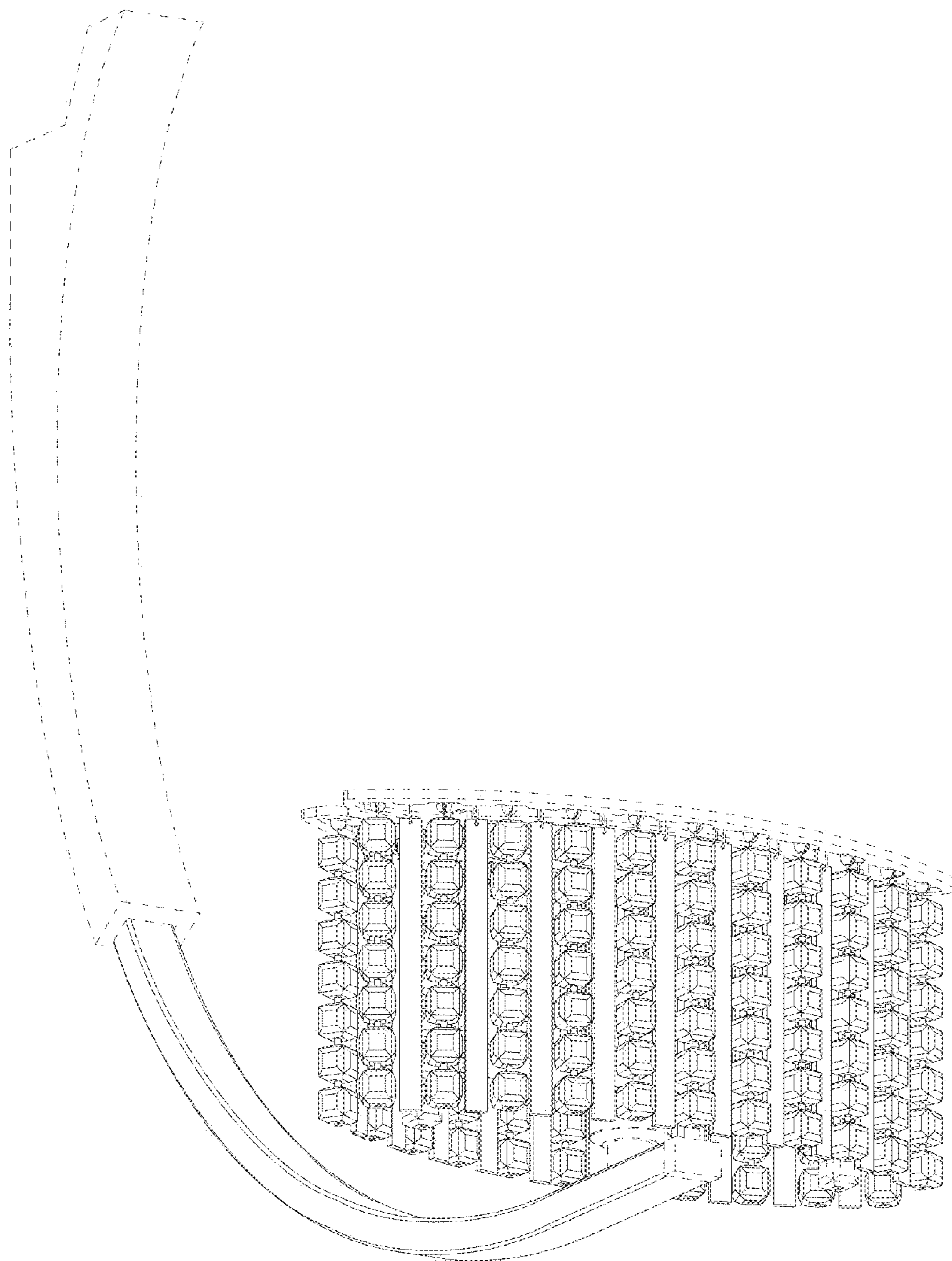
5,567,046 A 10/1996 Lucas  
 D403,101 S 12/1998 Bayer et al.  
 5,873,652 A \* 2/1999 Bayer et al. .... 362/405  
 D522,168 S 5/2006 Schuyler  
 D522,169 S 5/2006 Bayer  
 D522,683 S 6/2006 Bayer et al.  
 D522,684 S 6/2006 Schuyler et al.  
 D522,685 S \* 6/2006 Bayer ..... D26/142  
 D523,169 S \* 6/2006 Schuyler et al. .... D26/142  
 D523,578 S \* 6/2006 Schuyler et al. .... D26/142  
 D523,579 S \* 6/2006 Schuyler et al. .... D26/142  
 D523,988 S 6/2006 Schuyler et al.  
 D524,476 S \* 7/2006 Schuyler et al. .... D26/142  
 7,101,065 B2 9/2006 Bayer  
 D532,144 S 11/2006 Bayer et al.  
 D536,471 S \* 2/2007 Matons ..... D26/87  
 7,225,851 B2 6/2007 Schonbek et al.  
 7,267,463 B2 9/2007 Bayer et al.  
 D554,285 S 10/2007 Schuyler  
 D558,390 S \* 12/2007 Myers et al. .... D26/152  
 D560,019 S 1/2008 Myers, Jr. et al.  
 D560,020 S 1/2008 Ly  
 D560,027 S 1/2008 Bayer  
 D560,306 S \* 1/2008 Ly ..... D26/152  
 7,347,594 B2 3/2008 Bayer et al.  
 D577,145 S 9/2008 Schonbek et al.

D578,701 S 10/2008 Schuyler et al.  
 D580,089 S \* 11/2008 Ly et al. .... D26/88  
 D581,088 S 11/2008 Yando  
 D587,398 S \* 2/2009 Salatto-Rose ..... D26/142  
 D587,837 S \* 3/2009 Schonbek et al. .... D26/128  
 D588,295 S 3/2009 Schonbek et al.  
 D622,435 S 8/2010 Recore et al.  
 D624,235 S \* 9/2010 Forgette et al. .... D26/154  
 D624,236 S 9/2010 Recore et al.  
 D626,683 S \* 11/2010 Rabideau ..... D26/154  
 D626,684 S \* 11/2010 Schuyler et al. .... D26/154  
 7,854,532 B2 12/2010 Myers, Jr. et al.  
 D634,472 S 3/2011 Forgette et al.  
 D636,519 S \* 4/2011 Rabideau et al. .... D26/81  
 D637,755 S 5/2011 Rabideau et al.  
 8,128,259 B2 3/2012 Myers et al.  
 D681,266 S \* 4/2013 Yando ..... D26/142

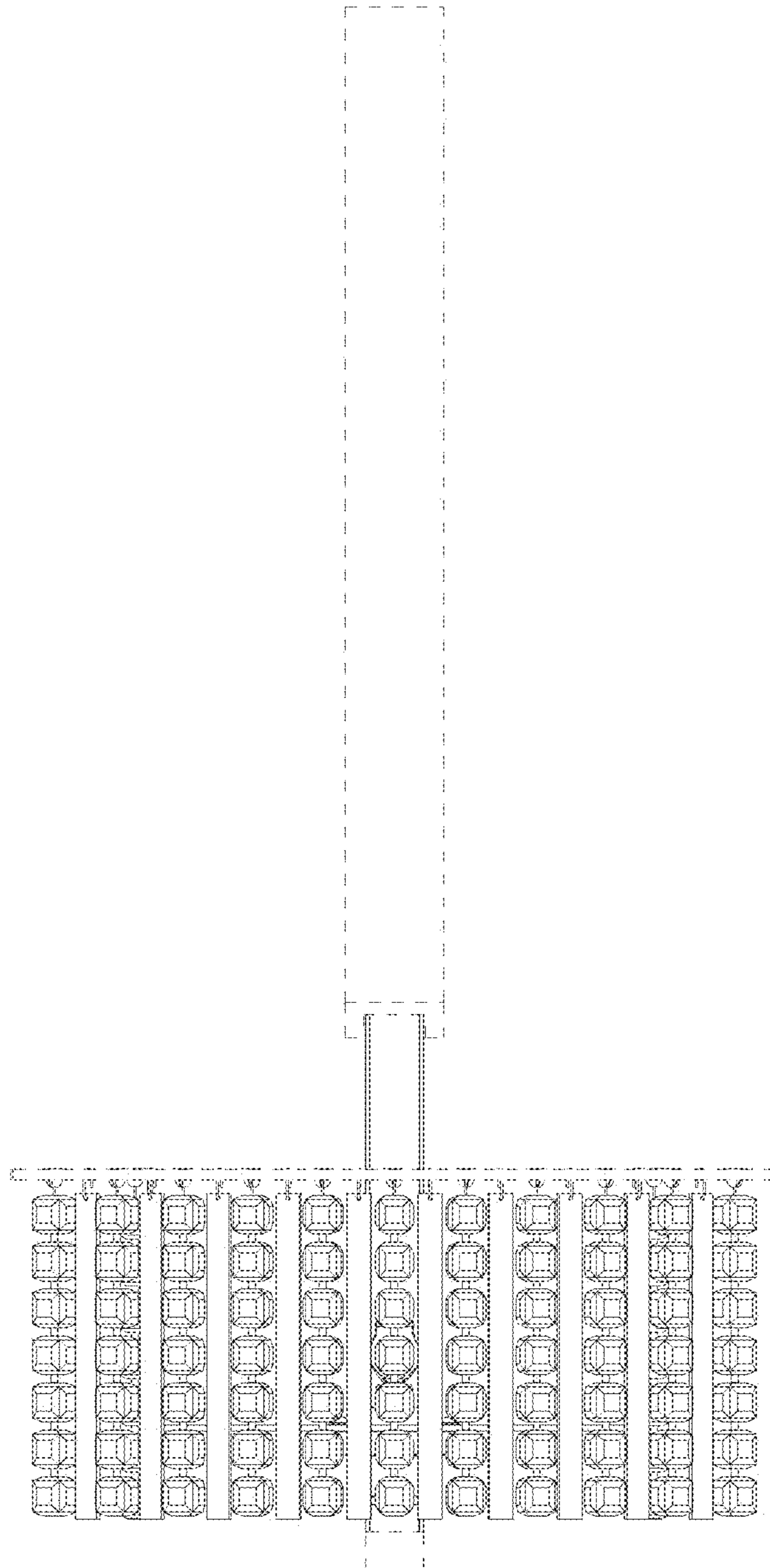
OTHER PUBLICATIONS

Saewoo Park, Design U.S. Appl. No. 29/449,521, filed Mar. 15, 2013.  
 Saewoo Park, U.S. Appl. No. 13/834,271, filed Mar. 15, 2013.  
 Andrew Schuyler, Design U.S. Appl. No. 29/448,655, filed Mar. 13, 2013.  
 Andrew Schuyler, Design U.S. Appl. No. 29/448,653, filed Mar. 13, 2013.  
 Schonbek Product Collection, 26-pages, Jan. 2013.

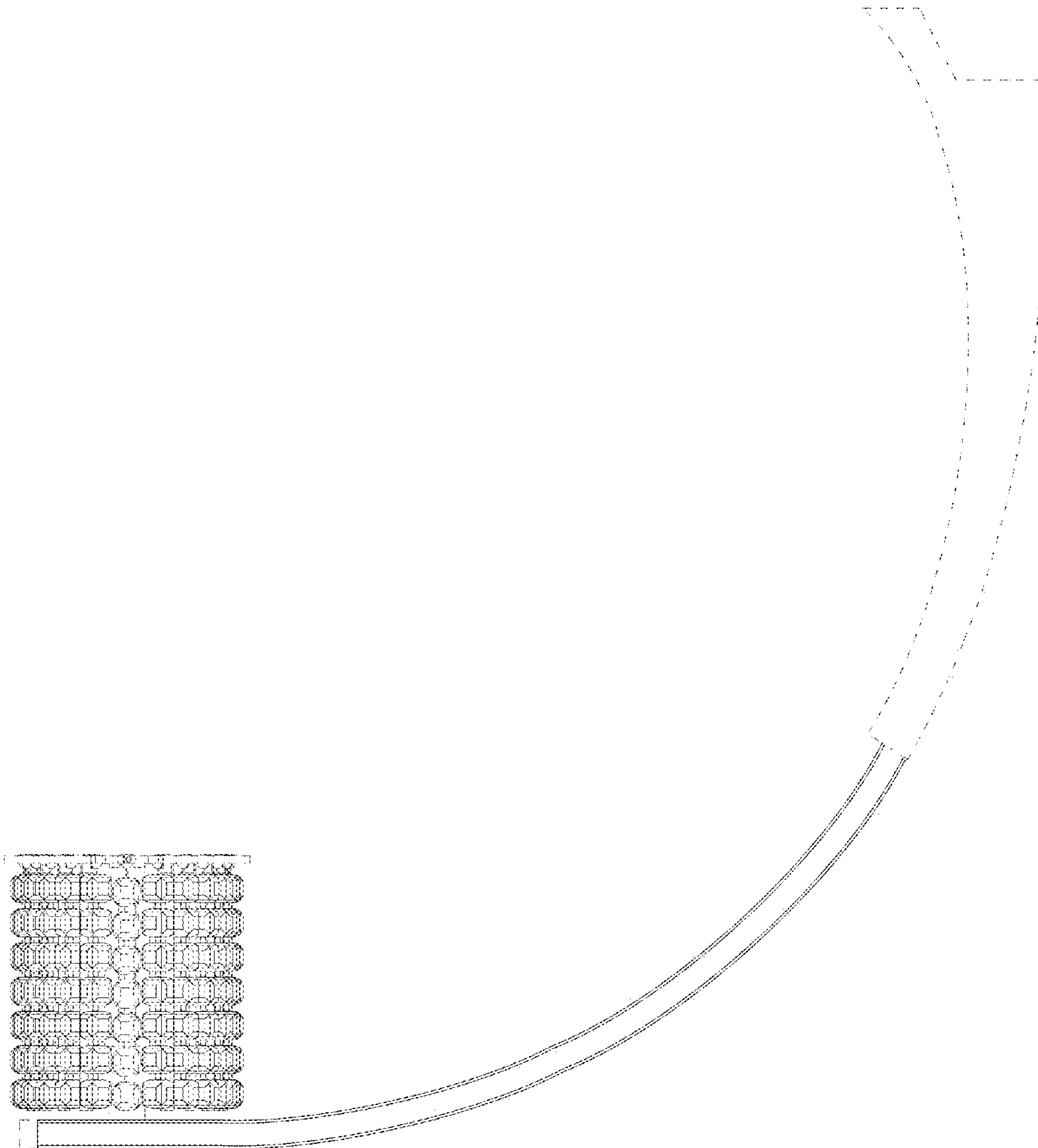
\* cited by examiner



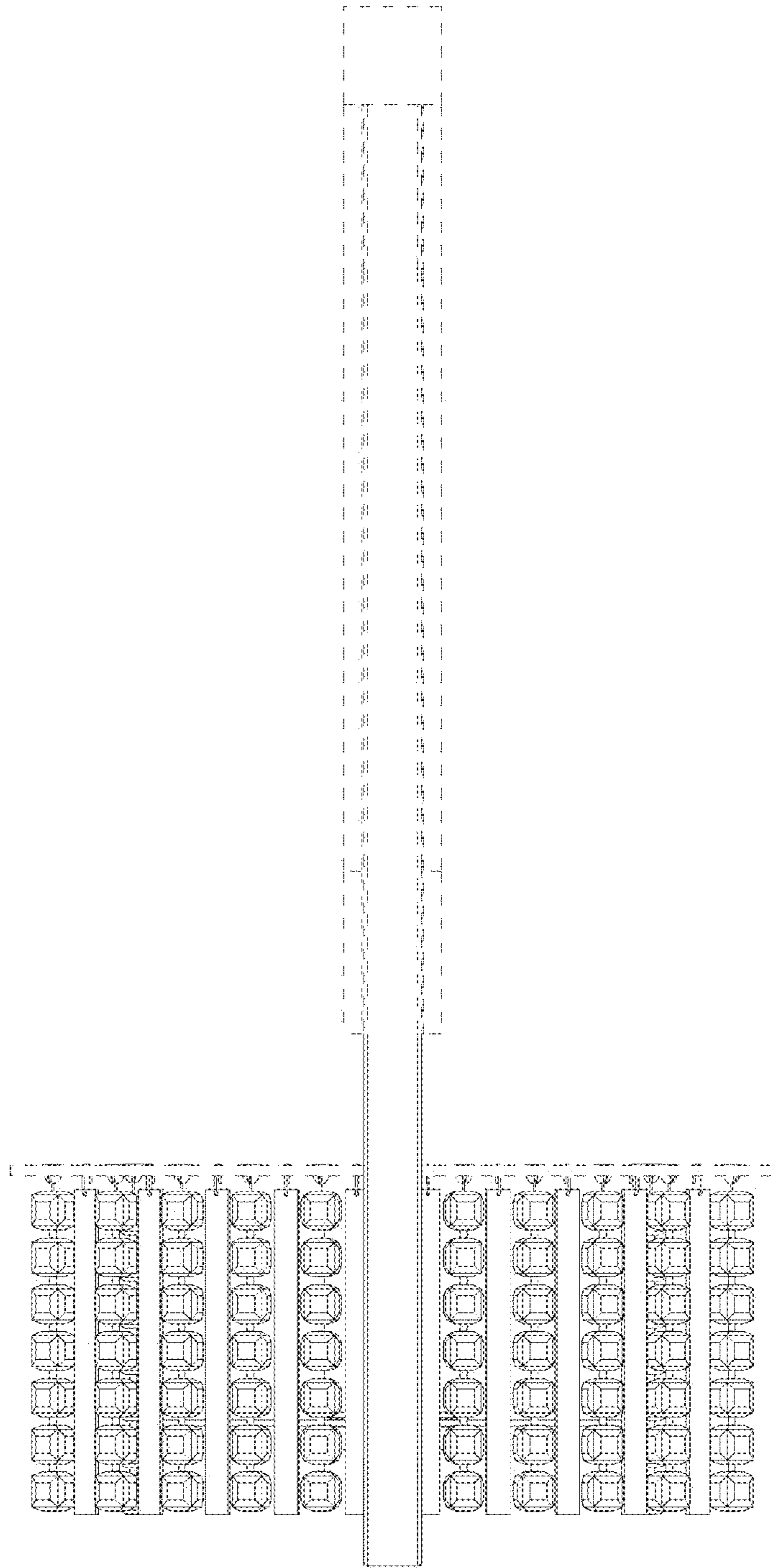
**FIG. 1**



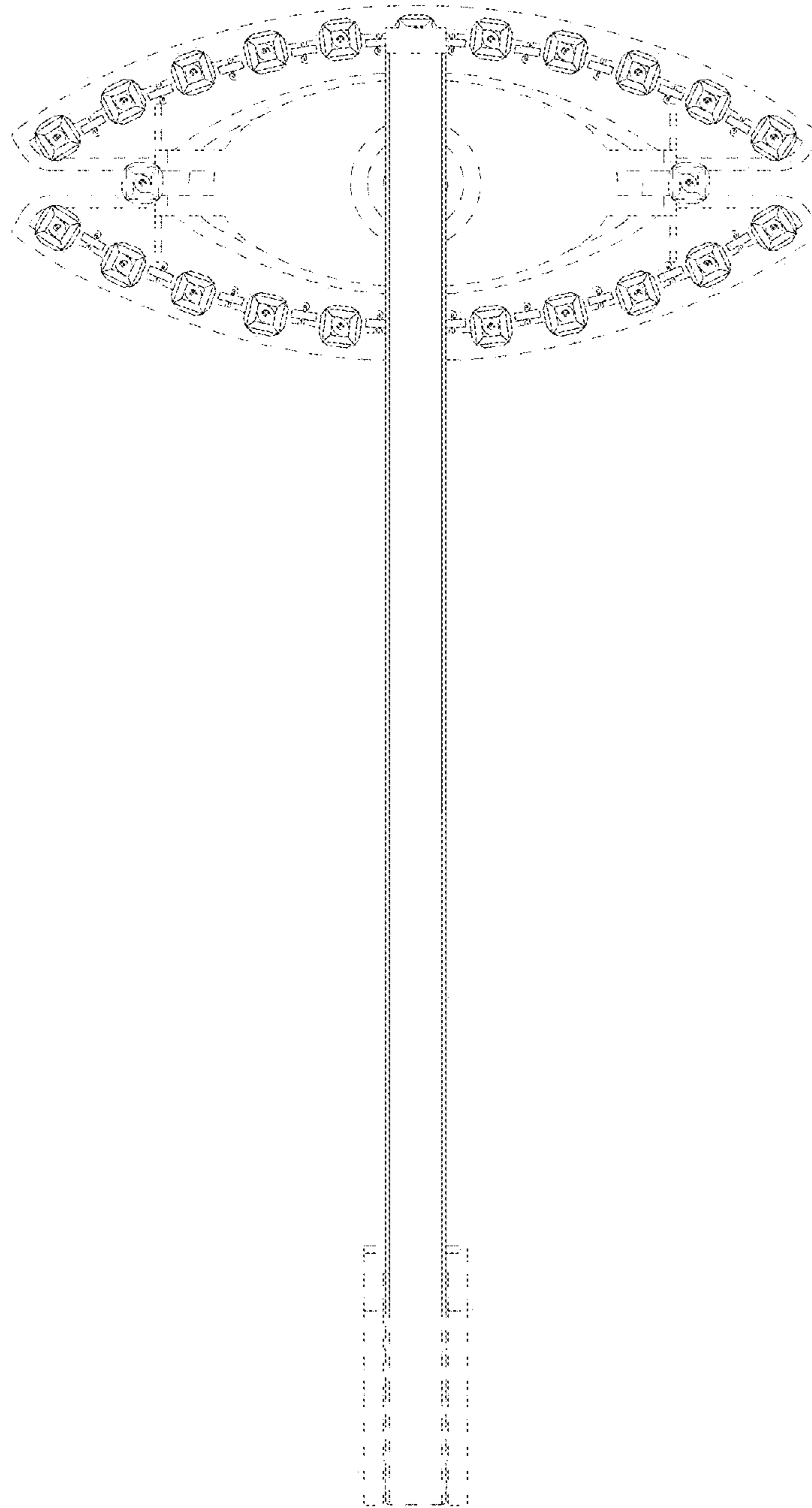
**FIG. 2**



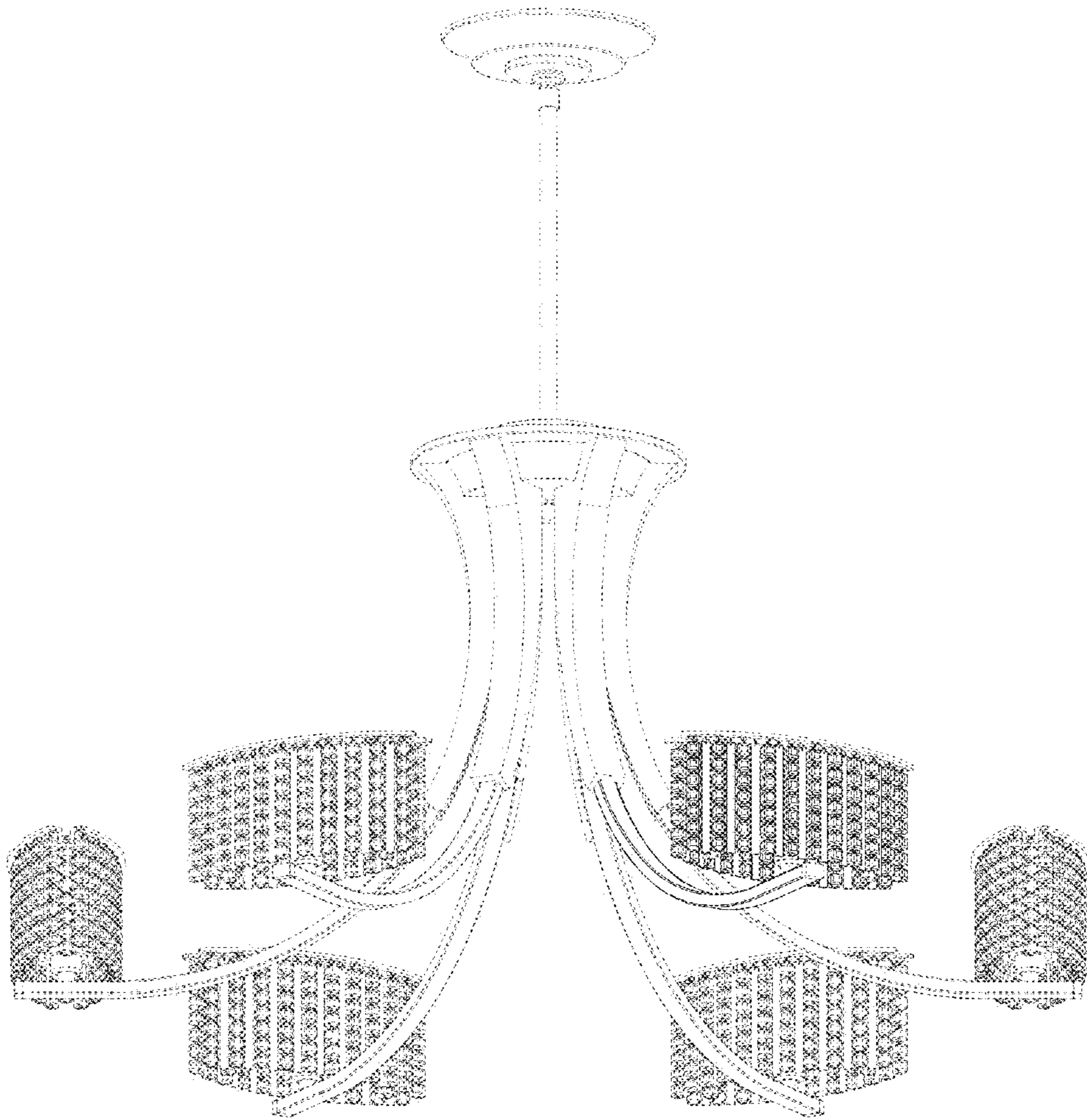
**FIG. 3**



**FIG. 4**

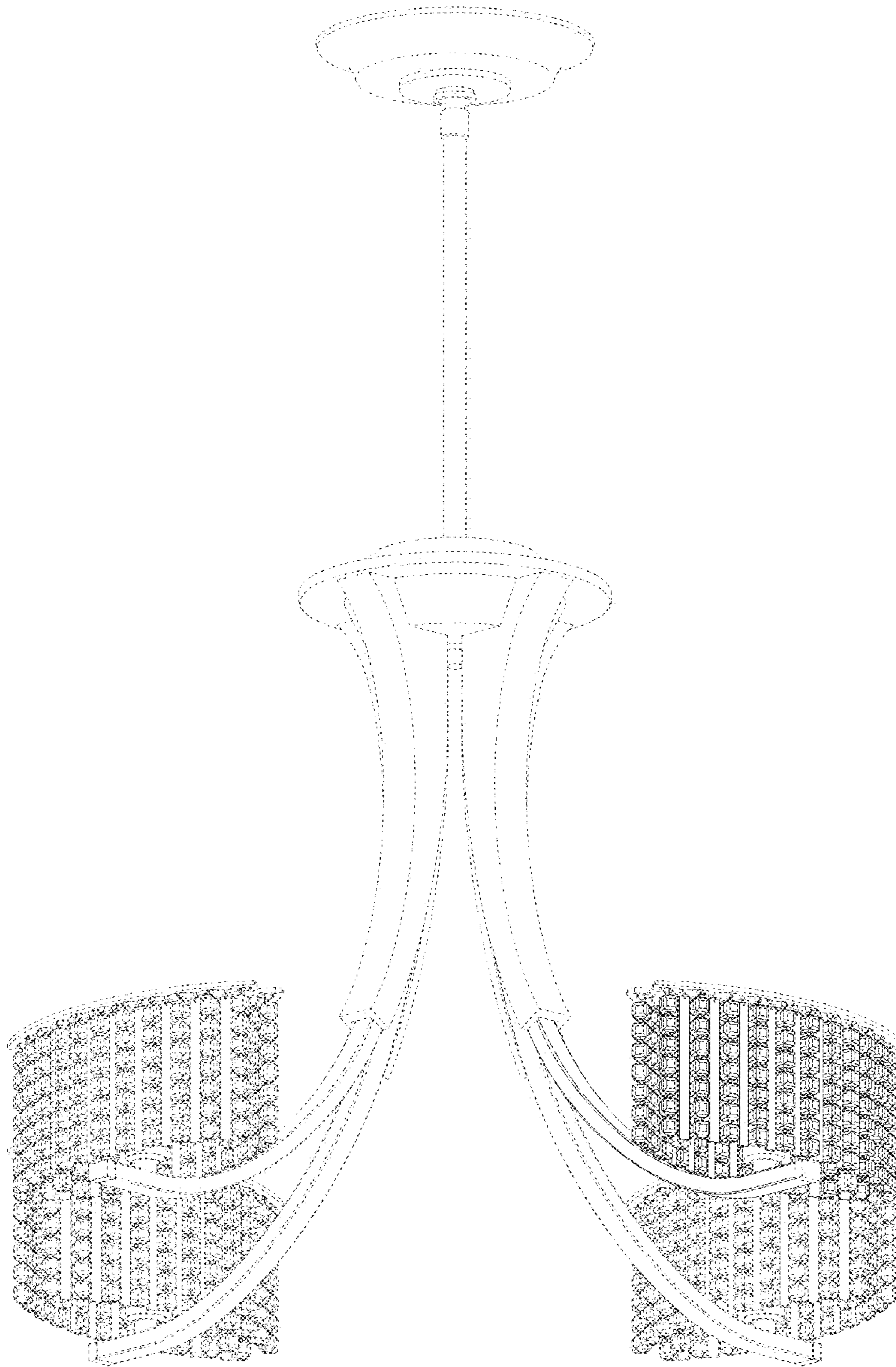


**FIG. 5**



**FIG. 6**





**FIG. 7**

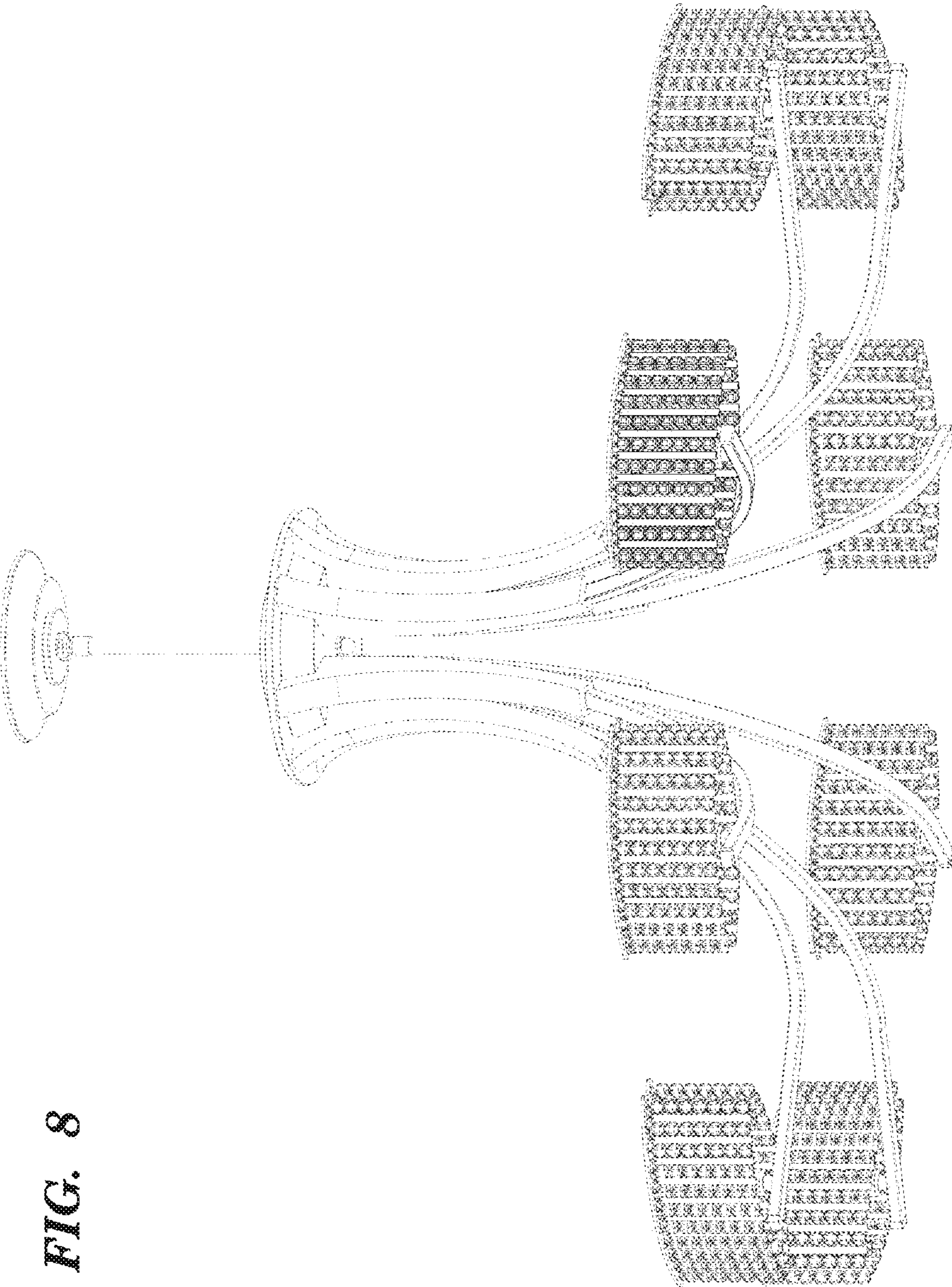


FIG. 8